



US00D908651S

(12) **United States Design Patent**  
**Cho et al.**

(10) **Patent No.:** **US D908,651 S**

(45) **Date of Patent:** **\*\* Jan. 26, 2021**

(54) **TELEVISION**

(71) Applicant: **SAMSUNG ELECTRONICS CO., LTD.**, Suwon-si (KR)

(72) Inventors: **Chulyong Cho**, Suwon-si (KR); **Minsun Kang**, Suwon-si (KR); **Jinsu Park**, Suwon-si (KR); **Danbi Kang**, Suwon-si (KR)

(73) Assignee: **SAMSUNG ELECTRONICS CO., LTD.**, Gyeonggi-Do (KR)

(\*\*) Term: **15 Years**

(21) Appl. No.: **29/697,051**

(22) Filed: **Jul. 3, 2019**

(30) **Foreign Application Priority Data**

Jan. 4, 2019 (KR) ..... 30-2019-0000547

(51) **LOC (13) Cl.** ..... **14-03**

(52) **U.S. Cl.**  
USPC ..... **D14/126; D14/239**

(58) **Field of Classification Search**  
USPC ..... D14/125-137, 239, 250, 314-316, 322, D14/326, 336, 337; D10/65; D6/300  
(Continued)

(56) **References Cited**

**U.S. PATENT DOCUMENTS**

D661,303 S \* 6/2012 Fukusawa ..... D14/371  
D726,136 S \* 4/2015 Cho ..... D14/126  
(Continued)

**FOREIGN PATENT DOCUMENTS**

JP D1550566 \* 5/2016  
JP D1557724 \* 9/2016

(Continued)

**OTHER PUBLICATIONS**

Samsung 43" Class The Sero QLED LS05 Series TV, (c) 2020 [online], [retrieved Sep. 13, 2020], Retrieved from Internet, URL: <[https://www.amazon.com/Samsung-Class-Sero-QLED-Built/dp/B087T9ZZJM/ref=asc\\_df\\_B087T9ZZJM/?tag=hyprod-20&linkCode=df0&hvadid=45964%E2%80%A6](https://www.amazon.com/Samsung-Class-Sero-QLED-Built/dp/B087T9ZZJM/ref=asc_df_B087T9ZZJM/?tag=hyprod-20&linkCode=df0&hvadid=45964%E2%80%A6)> (Year: 2020).\*

(Continued)

*Primary Examiner* — Barbara Fox

*Assistant Examiner* — Aram Kwon

(74) *Attorney, Agent, or Firm* — Cantor Colburn LLP

(57) **CLAIM**

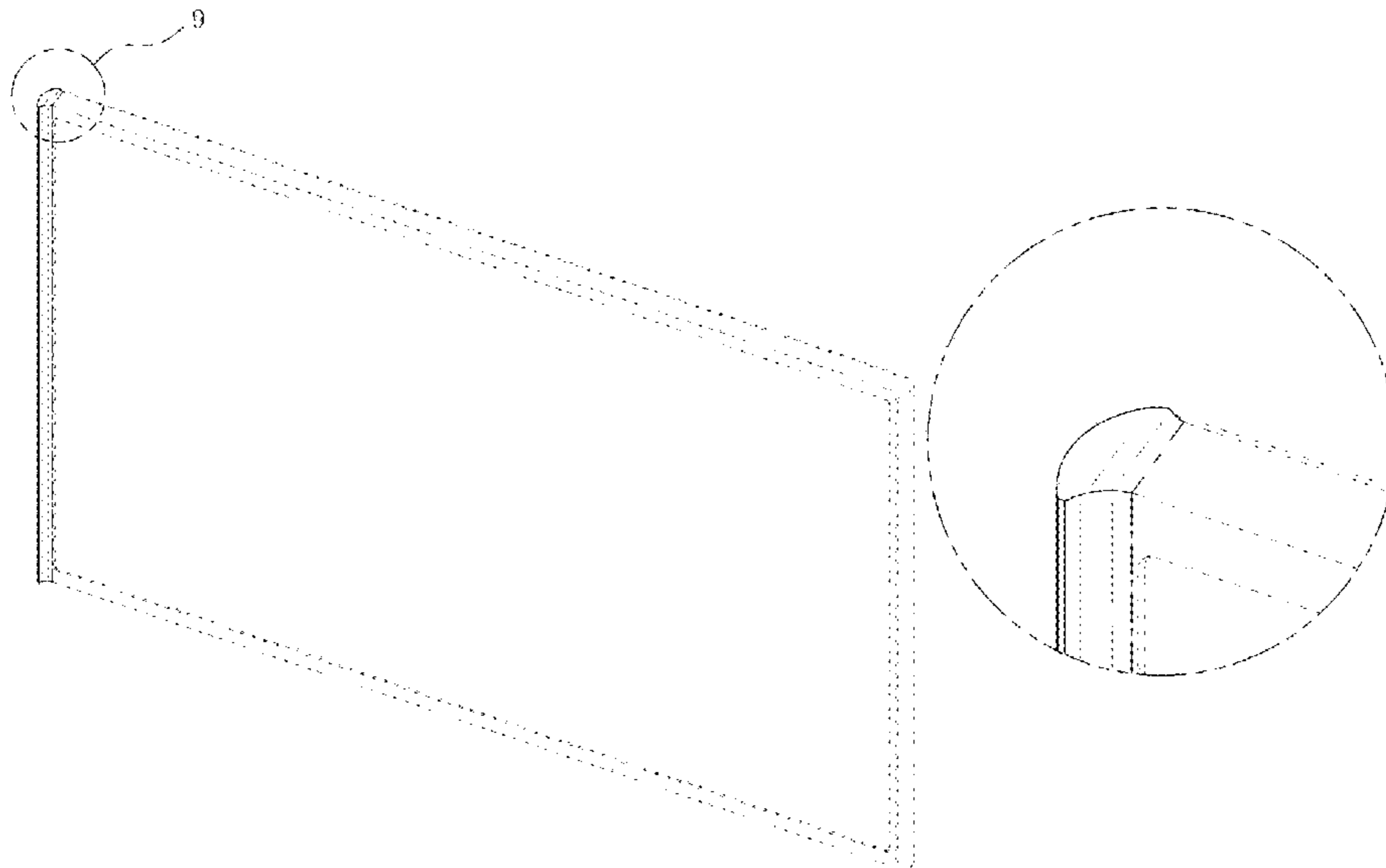
The ornamental design for a television, as shown and described.

**DESCRIPTION**

FIG. 1 is a front perspective view of a television, showing our new design;  
FIG. 2 is a front view thereof;  
FIG. 3 is a rear view thereof;  
FIG. 4 is a left-side view thereof;  
FIG. 5 is a right-side view thereof;  
FIG. 6 is a top view thereof;  
FIG. 7 is a bottom view thereof;  
FIG. 8 is a rear perspective view thereof;  
FIG. 9 is an enlarged view of the portion 9 in FIG. 1;  
FIG. 10 is an enlarged view of the portion 10 in FIG. 8; and,  
FIG. 11 is another front perspective view thereof in an environment with a pair of leg portions.

The even-dash broken lines illustrating portions of the television and environmental structure form no part of the claimed design. The dot-dot-dash broken lines encircling enlargement portions of the claimed design form no part of the claimed design. The dot-dash broken lines in the figures illustrate a boundary of the claimed design, and form no part of the claimed design.

**1 Claim, 8 Drawing Sheets**



(58) **Field of Classification Search**

CPC ..... G06F 1/16; G06F 1/1601; G06F 1/1637;  
H04N 5/64; H05K 5/0204; H05K 5/0017;  
H05K 5/0217

See application file for complete search history.

(56) **References Cited**

U.S. PATENT DOCUMENTS

D745,518	S	*	12/2015	Cho	.....	D14/375
D745,519	S	*	12/2015	Cho	.....	D14/375
D757,669	S	*	5/2016	Bouroullec	.....	D14/126
D757,670	S	*	5/2016	Bouroullec	.....	D14/126
D757,671	S	*	5/2016	Bouroullec	.....	D14/126
D779,446	S	*	2/2017	Bouroullec	.....	D14/126
D780,139	S	*	2/2017	Bouroullec	.....	D14/126
D795,851	S	*	8/2017	Kim	.....	D14/239

FOREIGN PATENT DOCUMENTS

KR	300785505	S	9/2015
KR	300794124	S	11/2015
KR	300794125	S	11/2015
KR	300803748	S	12/2015
KR	300877051	S	10/2018
WO	WOD087294-001	*	8/2016
WO	WOD092739-005	*	6/2018

OTHER PUBLICATIONS

Samsung The Serif 3.0 TV 2020, 2020 [online], [retrieved Sep. 13, 2020], Retrieved from Internet, URL: <[https://store.moma.org/tech/home-electronics/samsung-the-serif-3.0-tv-2020/12794-152390.html?flow\\_enabled=false&gclid=EAlalQobChMlzqLRzvD%E2%80%A6](https://store.moma.org/tech/home-electronics/samsung-the-serif-3.0-tv-2020/12794-152390.html?flow_enabled=false&gclid=EAlalQobChMlzqLRzvD%E2%80%A6)> (Year: 2020).\*

\* cited by examiner

FIG. 1

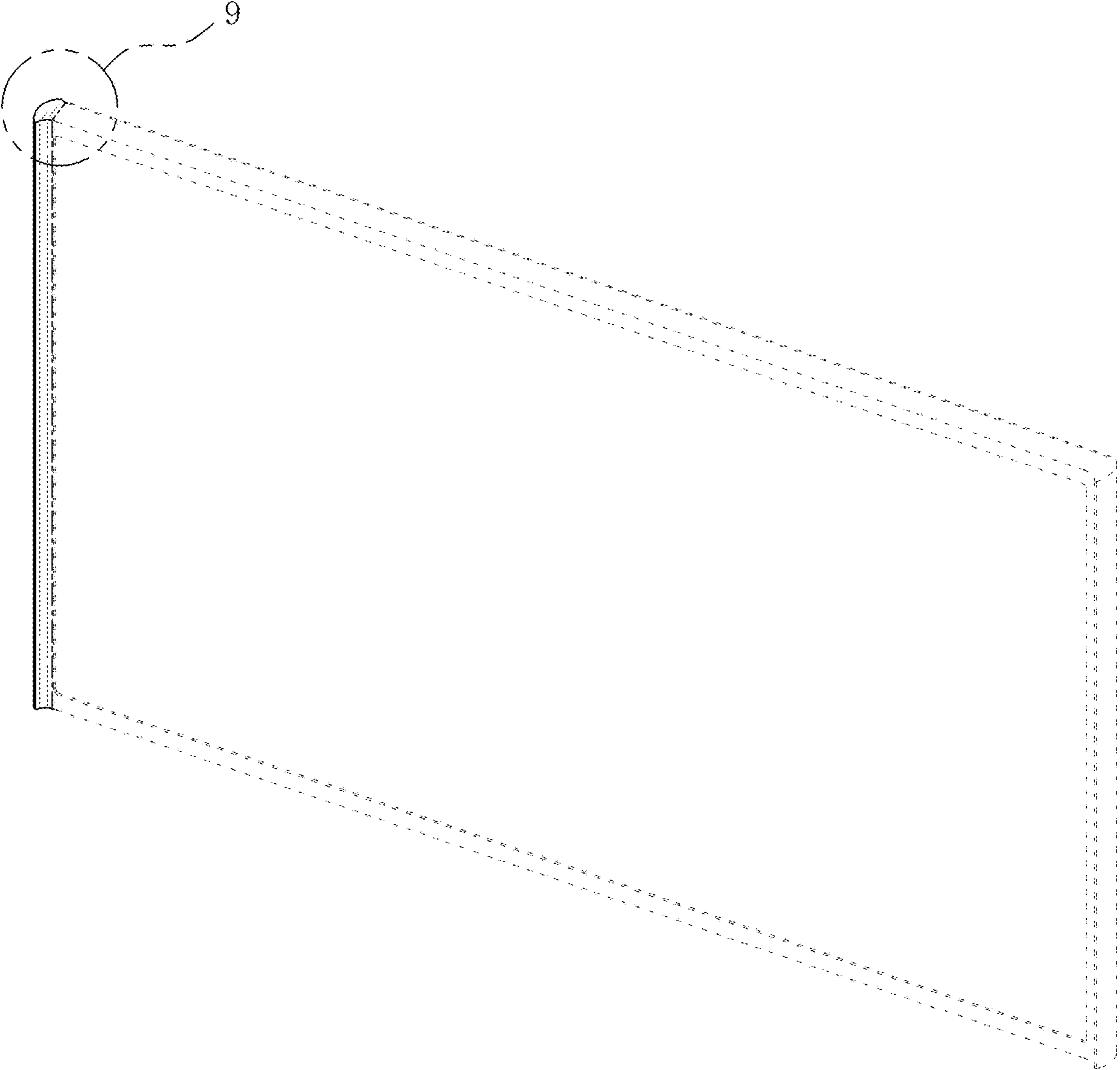


FIG. 2

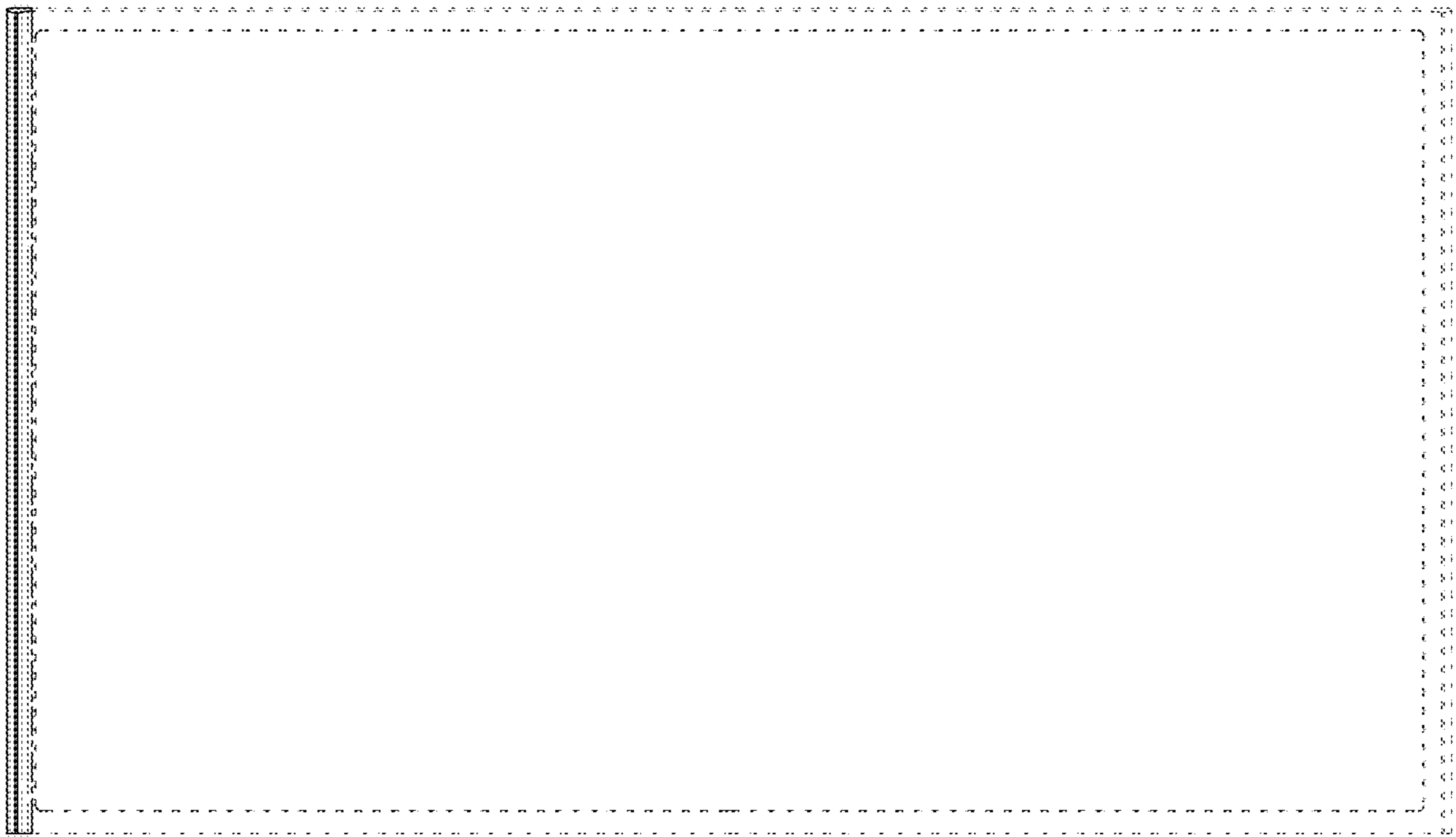


FIG. 3

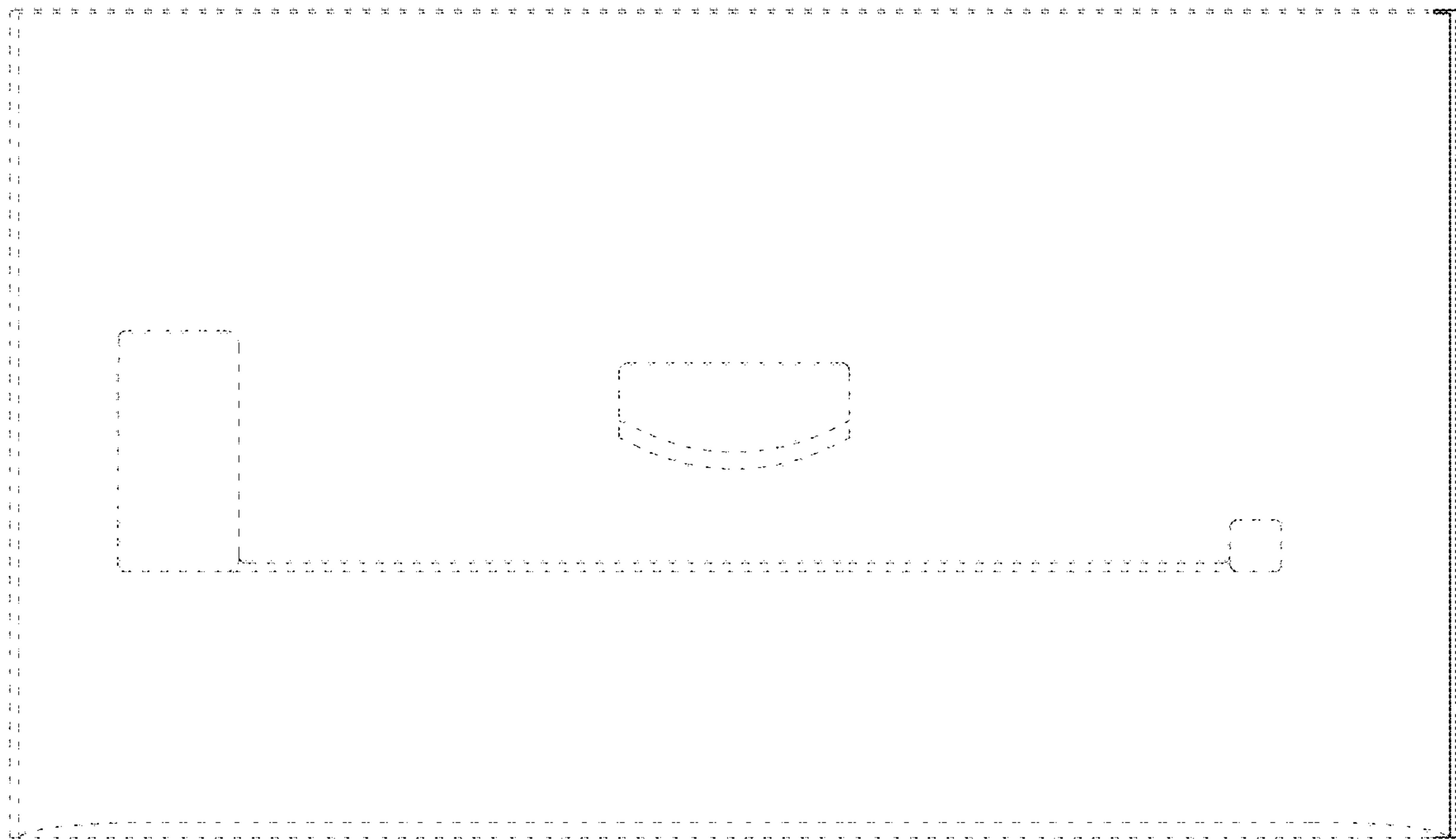


FIG. 4

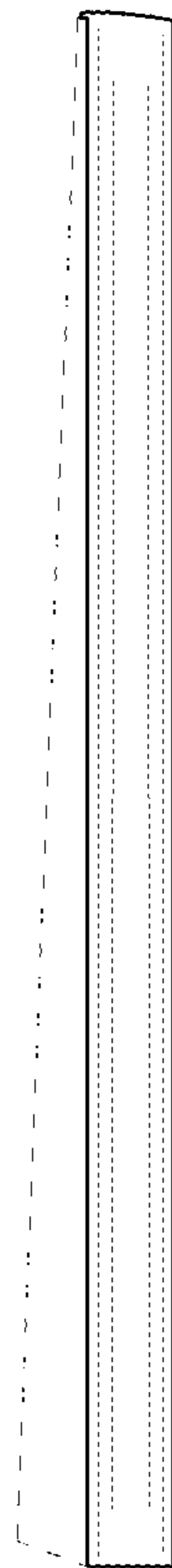


FIG. 5

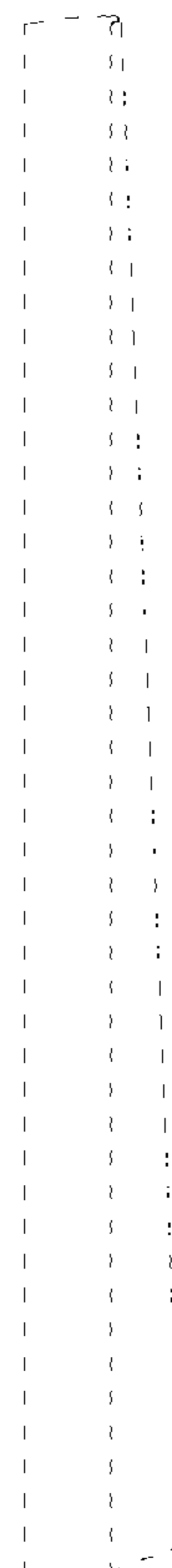


FIG. 6

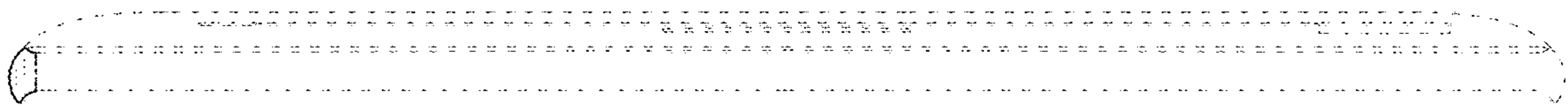


FIG. 7

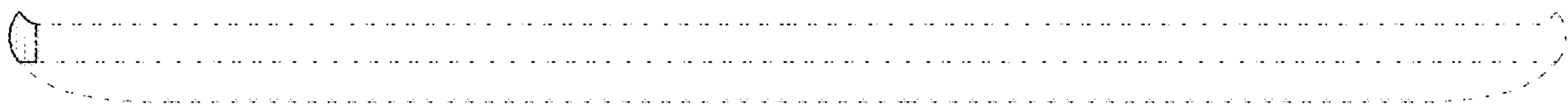


FIG. 8

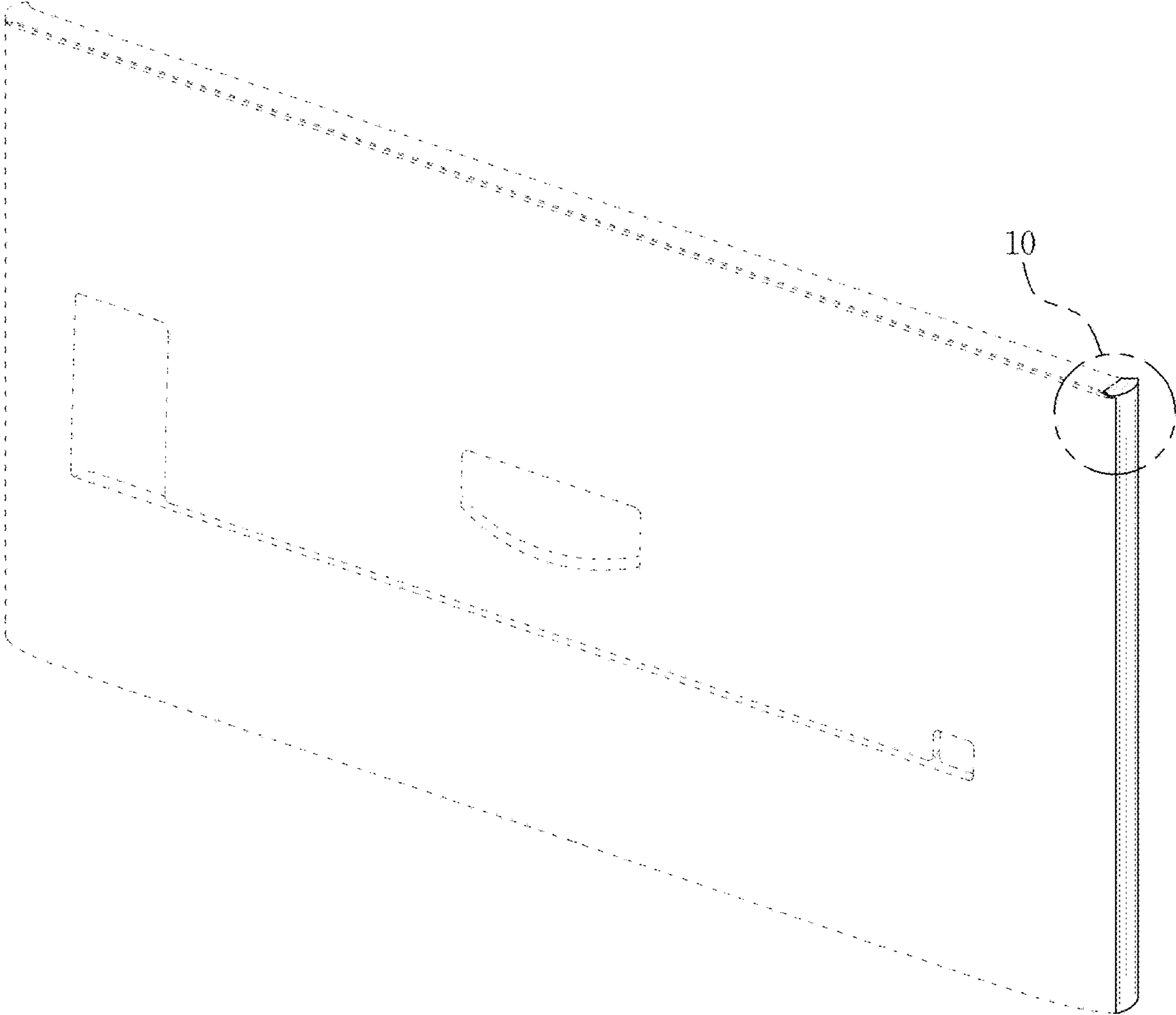




FIG. 9

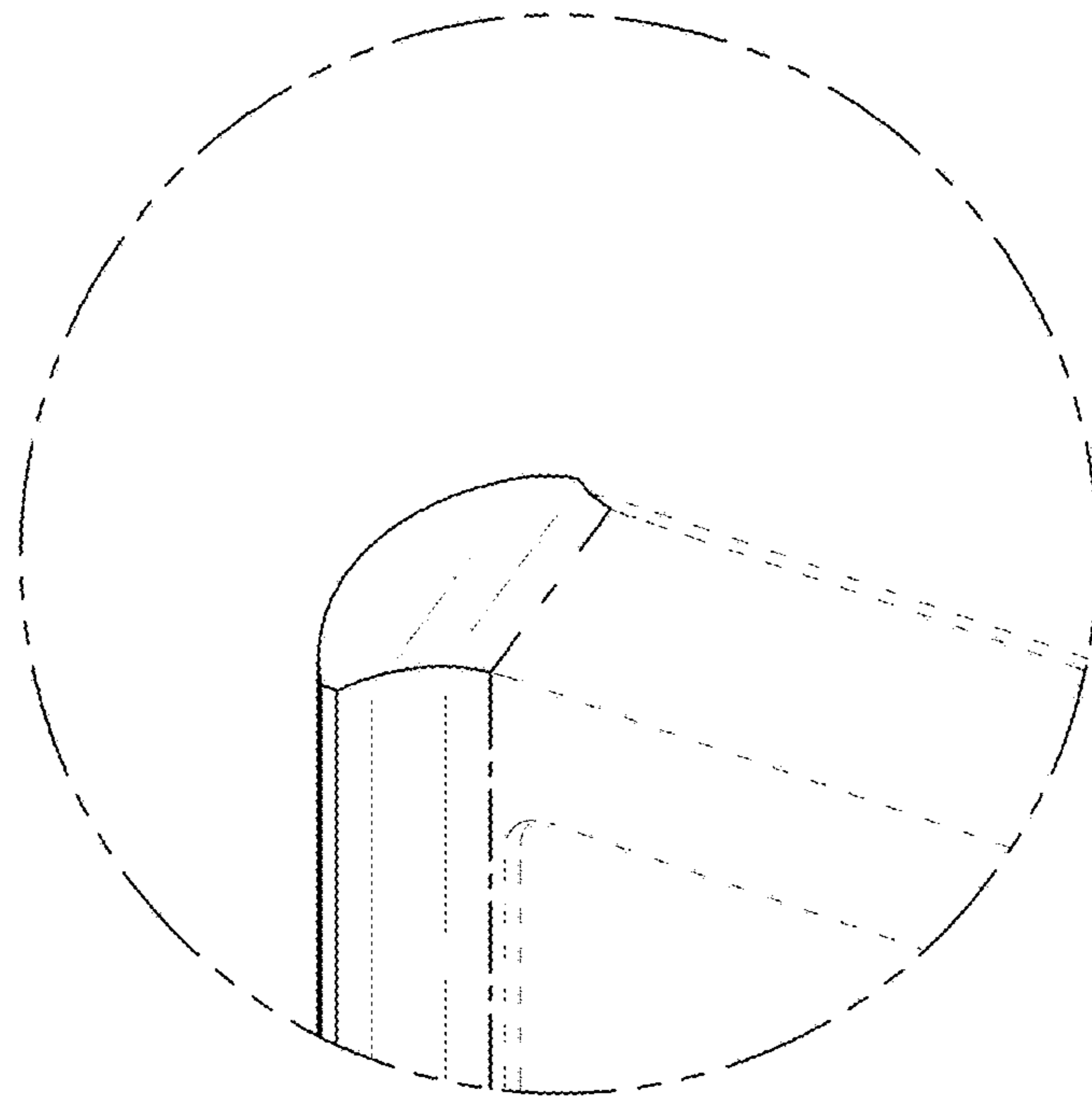


FIG. 10

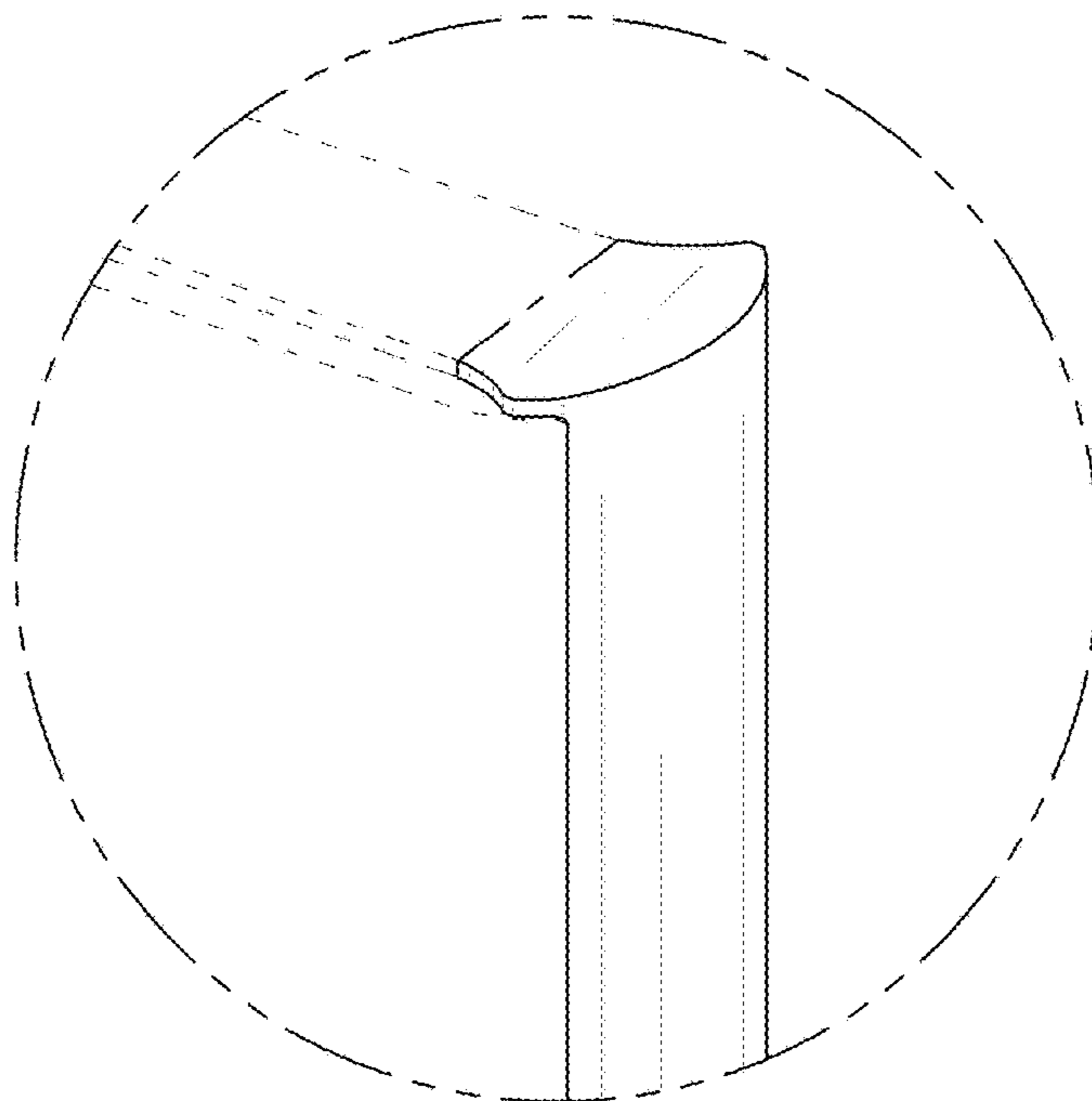


FIG. 11

