



(12) **United States Design Patent**  
**Cho et al.**

(10) **Patent No.:** **US D908,650 S**  
(45) **Date of Patent:** **\*\* Jan. 26, 2021**

(54) **TELEVISION**

FOREIGN PATENT DOCUMENTS

(71) Applicant: **SAMSUNG ELECTRONICS CO., LTD.**, Suwon-si (KR)

JP D2015-22189 \* 5/2016  
JP D2016-300 \* 9/2016

(Continued)

(72) Inventors: **Chulyong Cho**, Suwon-si (KR);  
**Minsun Kang**, Suwon-si (KR); **Jinsu Park**, Suwon-si (KR); **Danbi Kang**, Suwon-si (KR)

OTHER PUBLICATIONS

Samsung 43" Class The Sero QLED LS05 Series TV, (c) 2020 [online], [retrieved Sep. 13, 2020], Retrieved from Internet, URL: <[https://www.amazon.com/Samsung-Class-Sero-QLED-Built/dp/B087T9ZZJM/ref=asc\\_df\\_B087T9ZZJM/?tag=hyprod-20&linkCode=df0&hvadid=45964%E2%80%A6](https://www.amazon.com/Samsung-Class-Sero-QLED-Built/dp/B087T9ZZJM/ref=asc_df_B087T9ZZJM/?tag=hyprod-20&linkCode=df0&hvadid=45964%E2%80%A6)> (Year: 2020).\*

(Continued)

(73) Assignee: **SAMSUNG ELECTRONICS CO., LTD.**, Gyeonggi-do (KR)

(\*\*) Term: **15 Years**

*Primary Examiner* — Barbara Fox  
*Assistant Examiner* — Aram Kwon

(21) Appl. No.: **29/697,045**

(74) *Attorney, Agent, or Firm* — Cantor Colburn LLP

(22) Filed: **Jul. 3, 2019**

(57) **CLAIM**

(30) **Foreign Application Priority Data**

The ornamental design for a television, as shown and described.

Jan. 4, 2019 (KR) ..... 30-2019-0000546

**DESCRIPTION**

(51) **LOC (13) Cl.** ..... **14-03**

FIG. 1 is a front perspective view of a television, showing our new design;

(52) **U.S. Cl.**

FIG. 2 is a front view thereof;

USPC ..... **D14/126; D14/239**

FIG. 3 is a rear view thereof;

(58) **Field of Classification Search**

USPC ..... D14/125-137, 239, 314-316, 322, 326, D14/336, 337; D10/65

FIG. 4 is a left-side view thereof;

CPC ..... G06F 1/16; G06F 1/1601; G06F 1/1637; H04N 5/64; H05K 5/0204; H05K 5/0017; H05K 5/0217

FIG. 5 is a right-side view thereof;

See application file for complete search history.

FIG. 6 is a top view thereof;

FIG. 7 is a bottom view thereof;

FIG. 8 is a rear perspective view thereof;

FIG. 9 is an enlarged view of the portion 9 in FIG. 1;

FIG. 10 is an enlarged view of the portion 10 in FIG. 1;

FIG. 11 is an enlarged view of the portion 11 in FIG. 8; and, FIG. 12 is a rear perspective exploded view thereof.

The even-dash broken lines illustrating portions of the television form no part of the claimed design. The dot-dash broken lines encircling enlargement portions of the claimed design form no part of the claimed design.

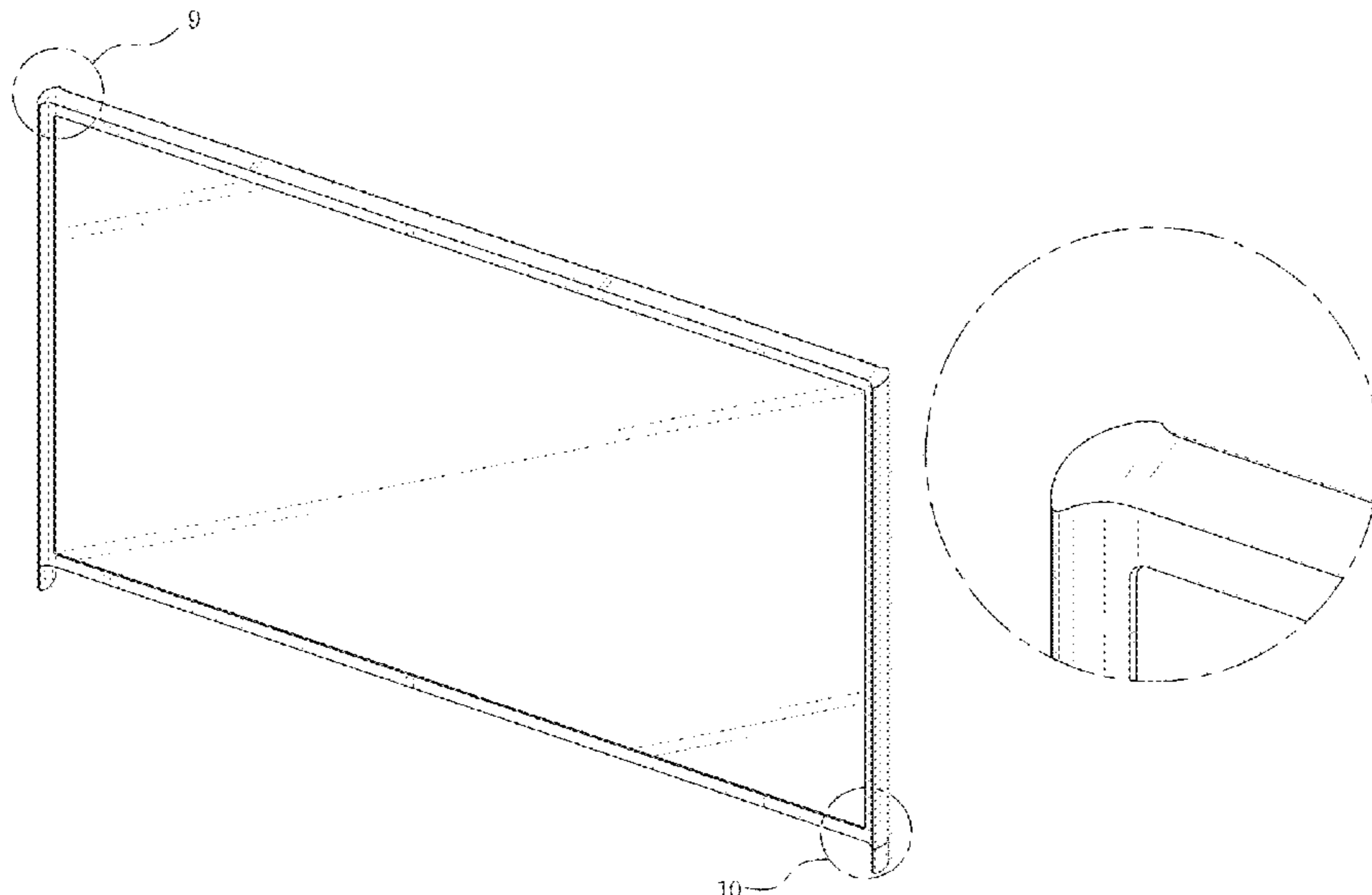
(56) **References Cited**

U.S. PATENT DOCUMENTS

D661,303 S \* 6/2012 Fukusawa ..... D14/371  
D726,136 S \* 4/2015 Cho ..... D14/126  
D745,518 S \* 12/2015 Cho ..... D14/375

(Continued)

**1 Claim, 9 Drawing Sheets**



(56)

**References Cited**

U.S. PATENT DOCUMENTS

D745,519 S \* 12/2015 Cho ..... D14/375  
D757,669 S \* 5/2016 Bouroullec ..... D14/126  
D757,670 S \* 5/2016 Bouroullec ..... D14/126  
D757,671 S \* 5/2016 Bouroullec ..... D14/126  
D779,446 S \* 2/2017 Bouroullec ..... D14/126  
D780,139 S \* 2/2017 Bouroullec ..... D14/126  
D795,851 S \* 8/2017 Kim ..... D14/239

FOREIGN PATENT DOCUMENTS

KR 300785505 S 9/2015  
KR 300794124 S 11/2015  
KR 300794125 S 11/2015  
KR 300803748 S 12/2015  
KR 300877051 S 10/2018  
WO WOD087294-001 \* 8/2016  
WO WOD092739-005 \* 6/2018

OTHER PUBLICATIONS

Samsung The Serif 3.0 TV 2020, 2020 [online], [retrieved Sep. 13, 2020], Retrieved from Internet, URL: <[https://store.moma.org/tech/home-electronics/samsung-the-serif-3.0-tv-2020/12794-152390.html?flow\\_enabled=false&gclid=EAlalQobChMlZqLRzvD%E2%80%A6](https://store.moma.org/tech/home-electronics/samsung-the-serif-3.0-tv-2020/12794-152390.html?flow_enabled=false&gclid=EAlalQobChMlZqLRzvD%E2%80%A6)> (Year: 2020).\*

\* cited by examiner

FIG. 1

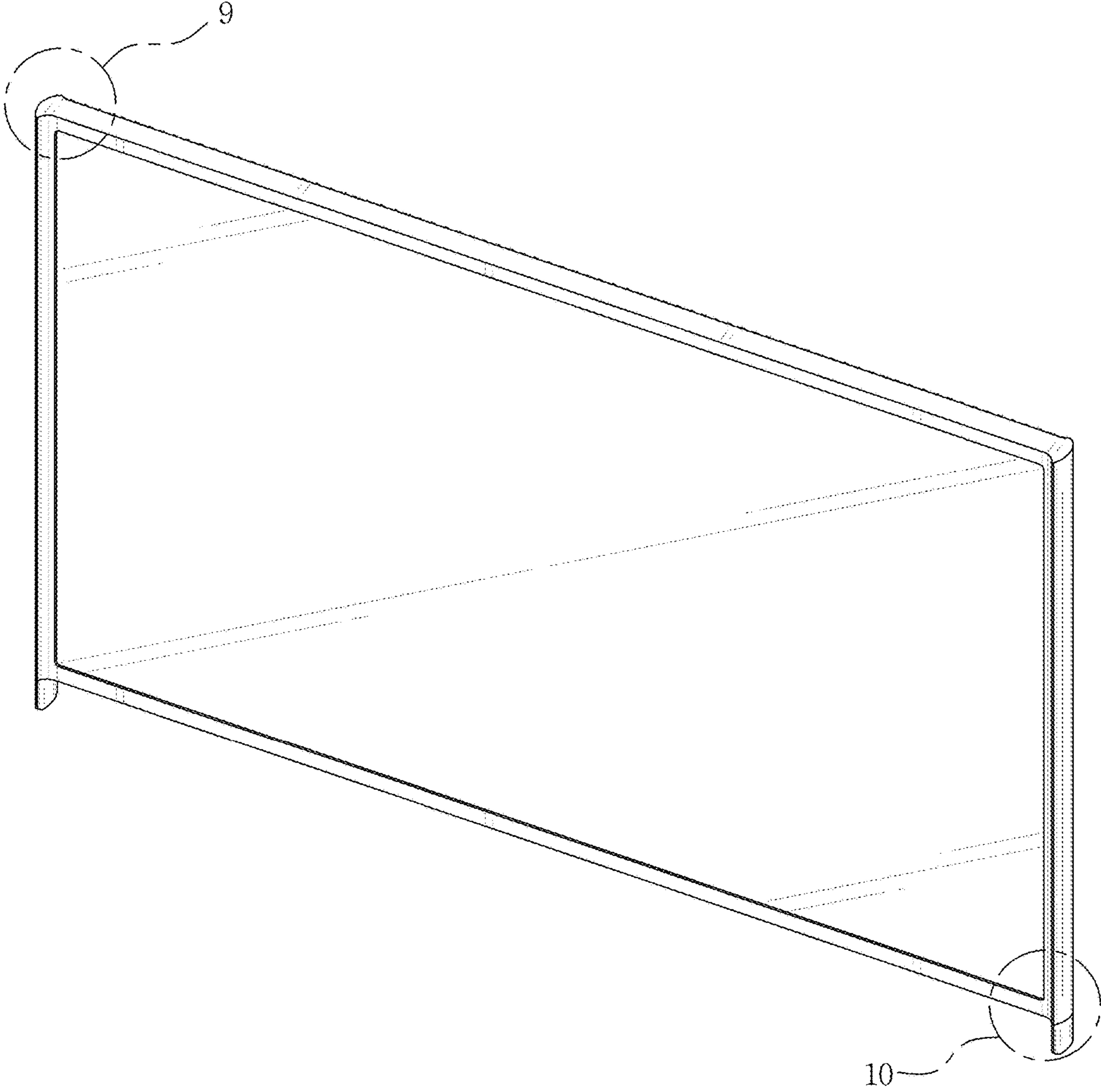


FIG. 2

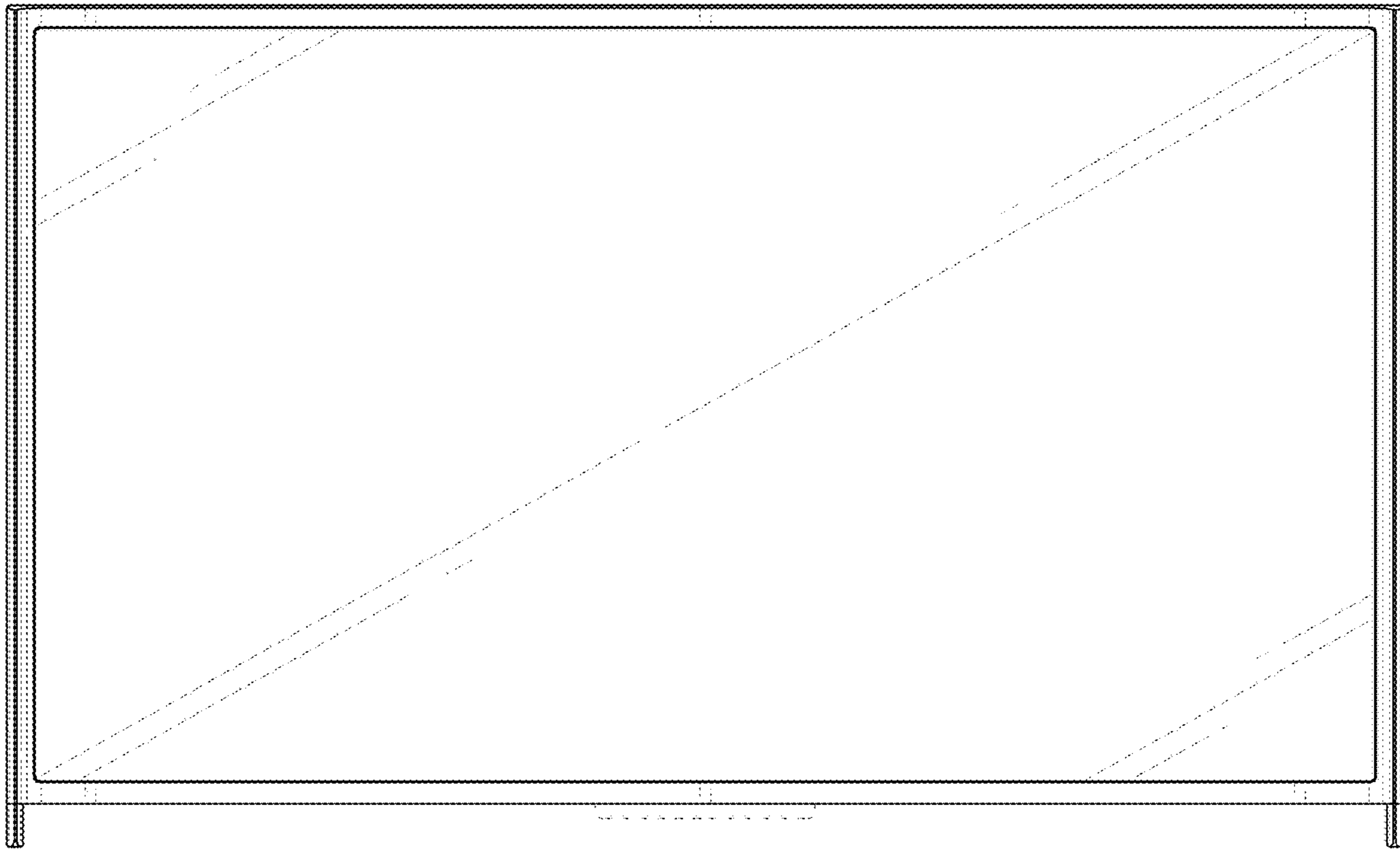


FIG. 3

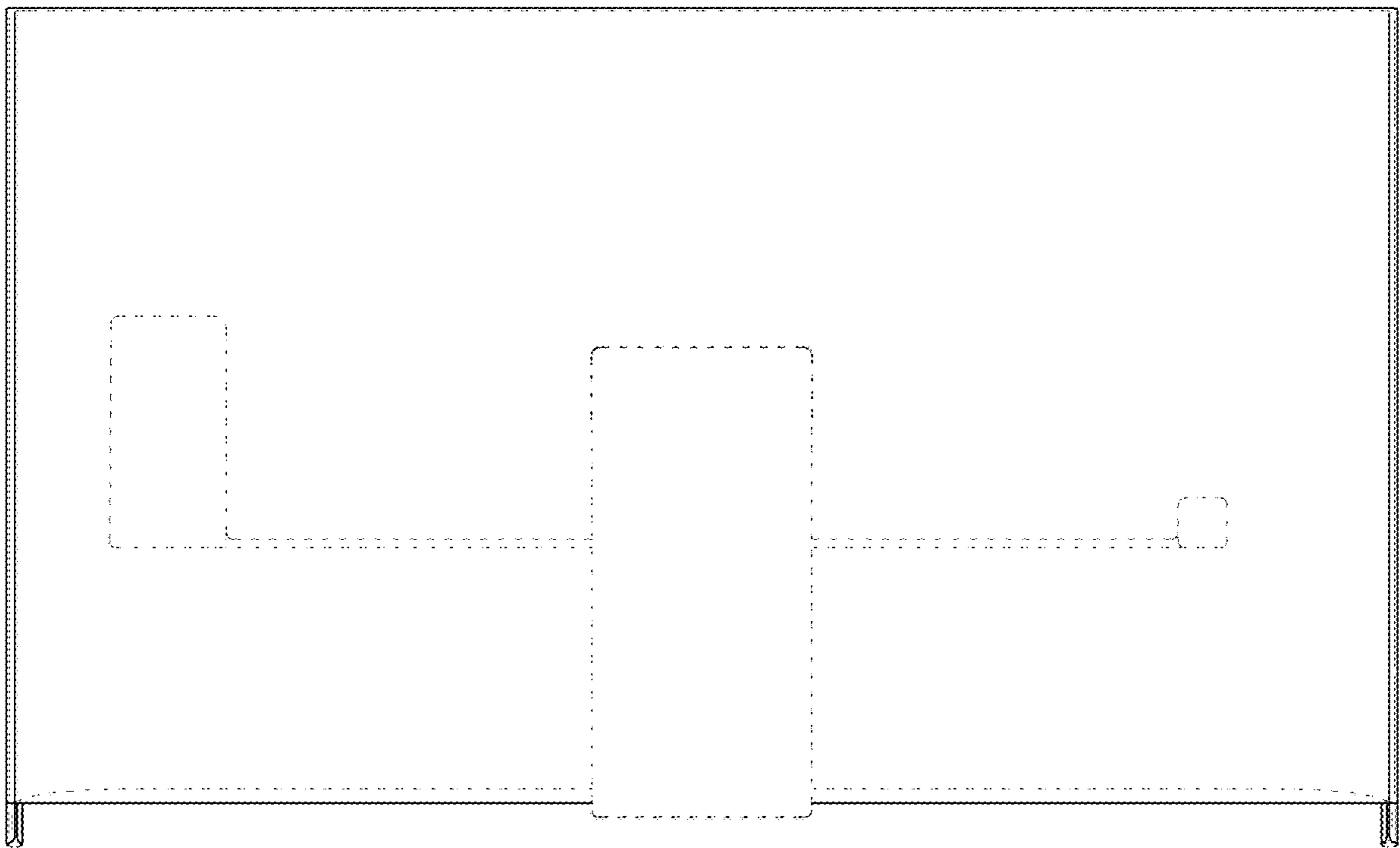


FIG. 4

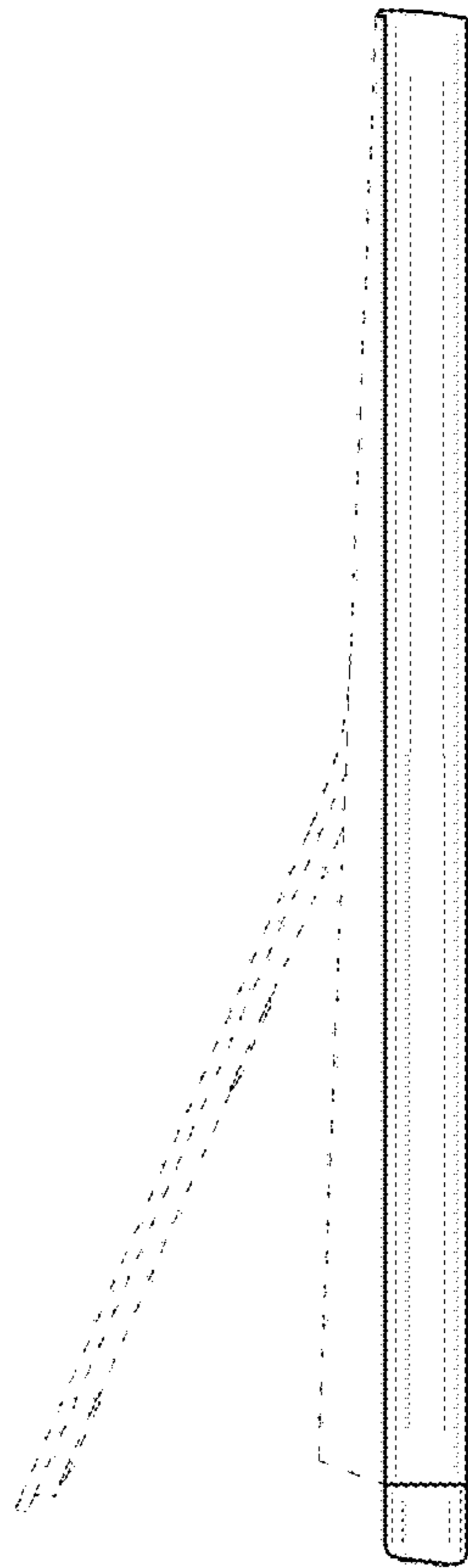


FIG. 5

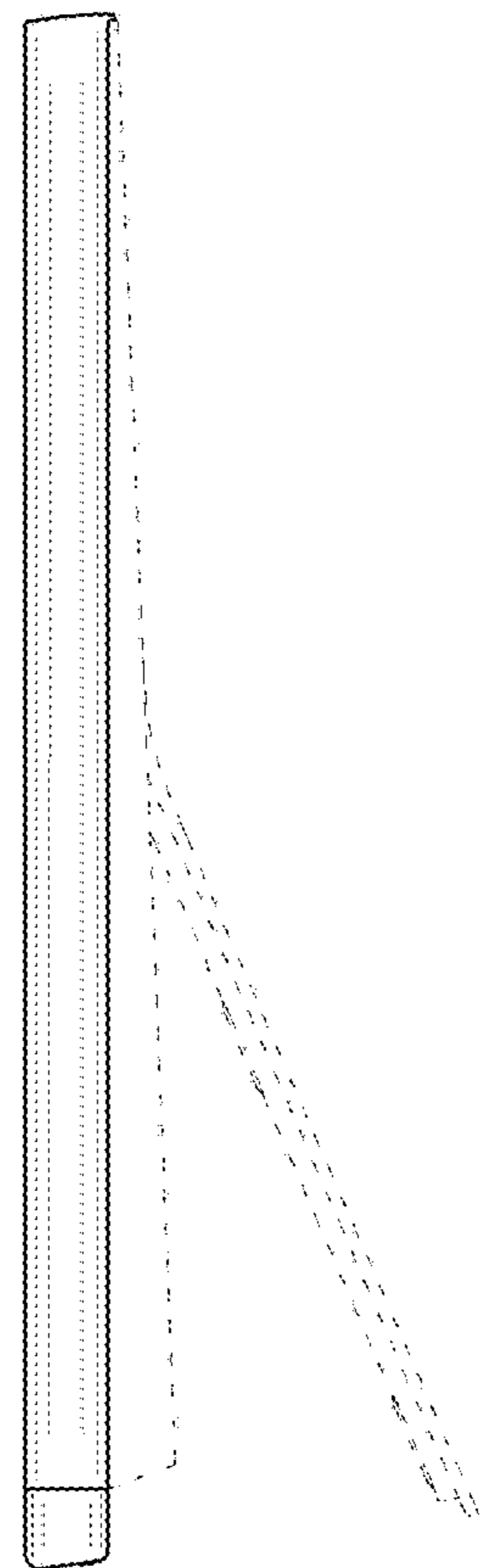


FIG. 6

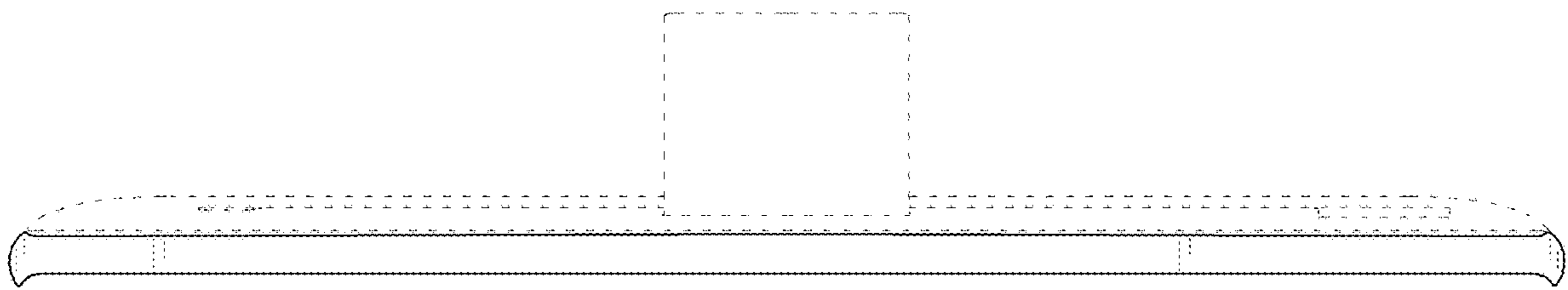


FIG. 7

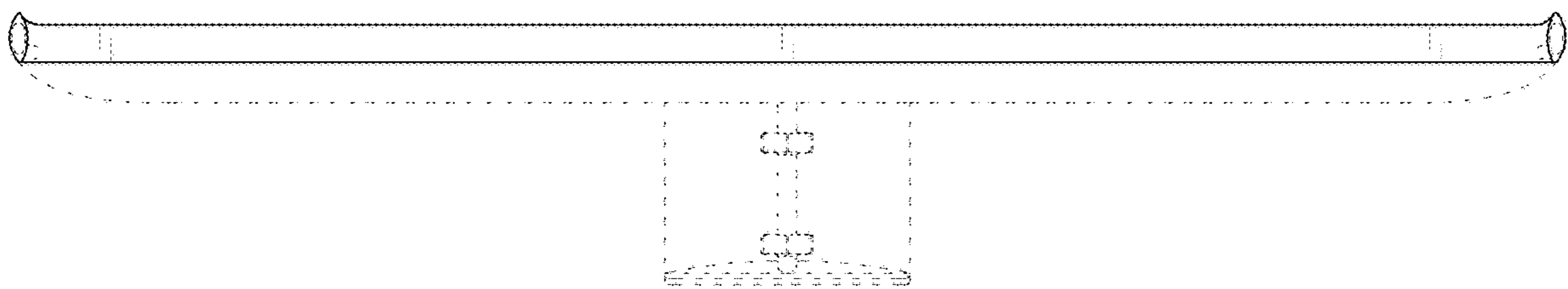


FIG. 8

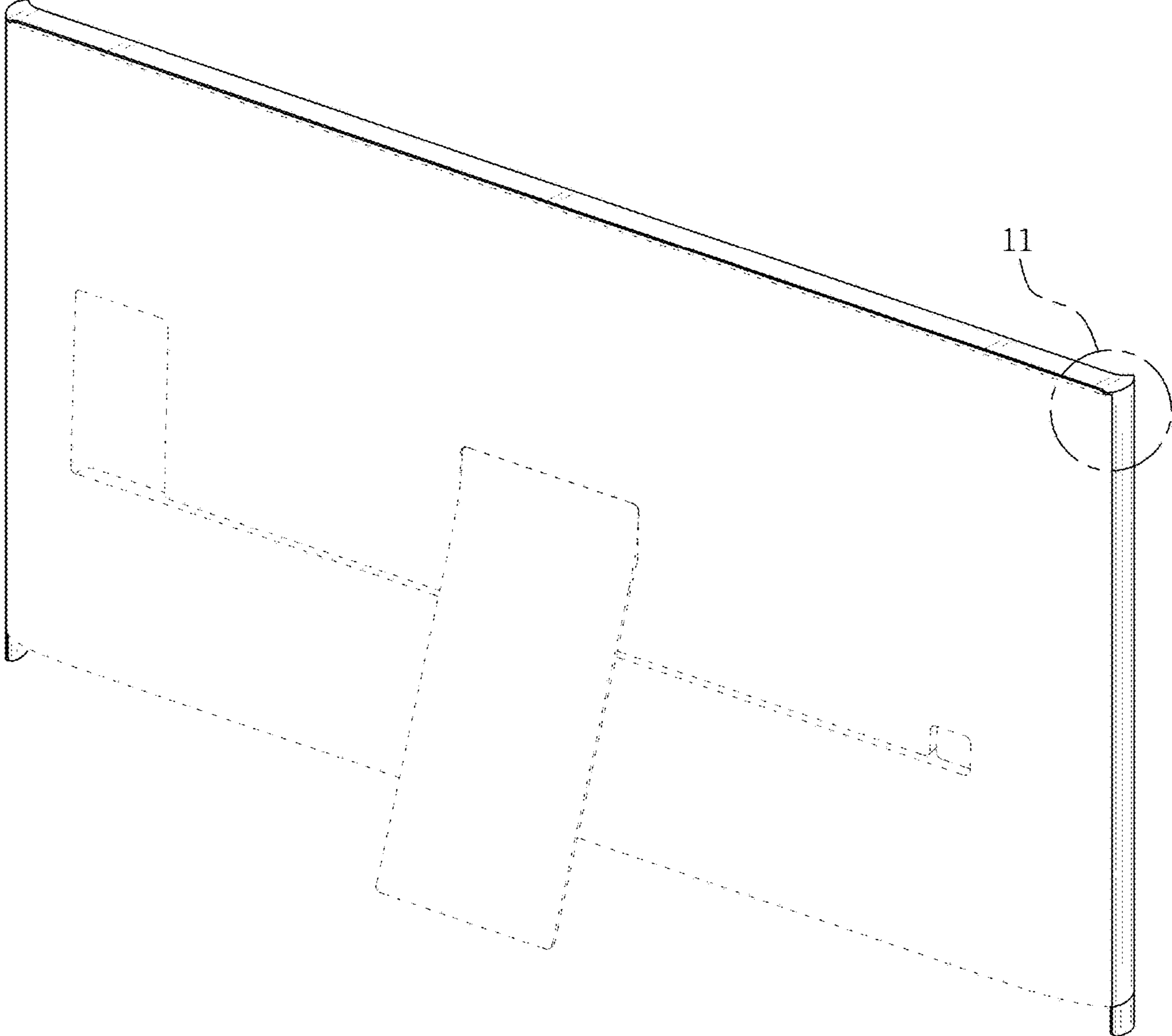




FIG. 9

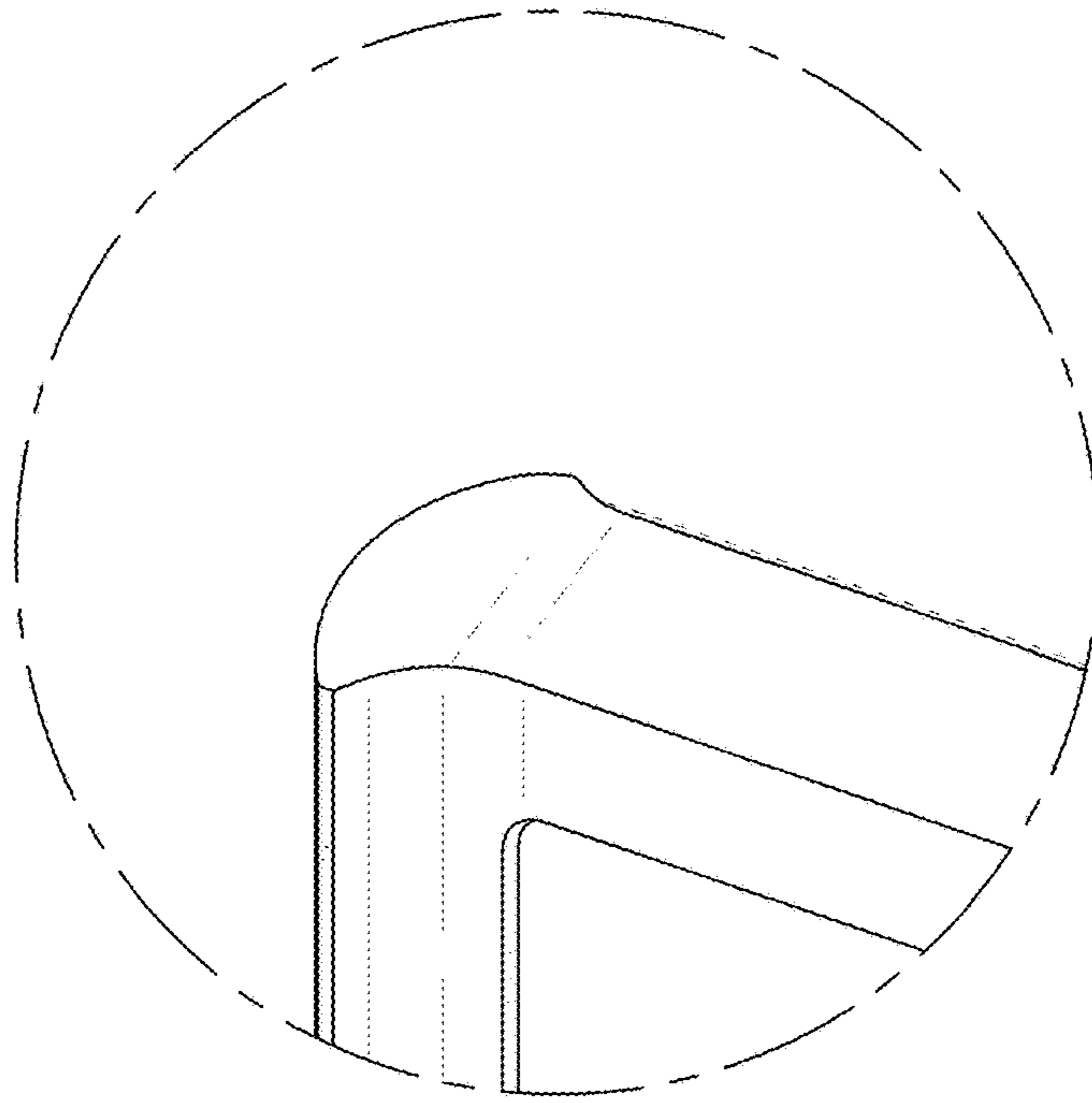


FIG. 10

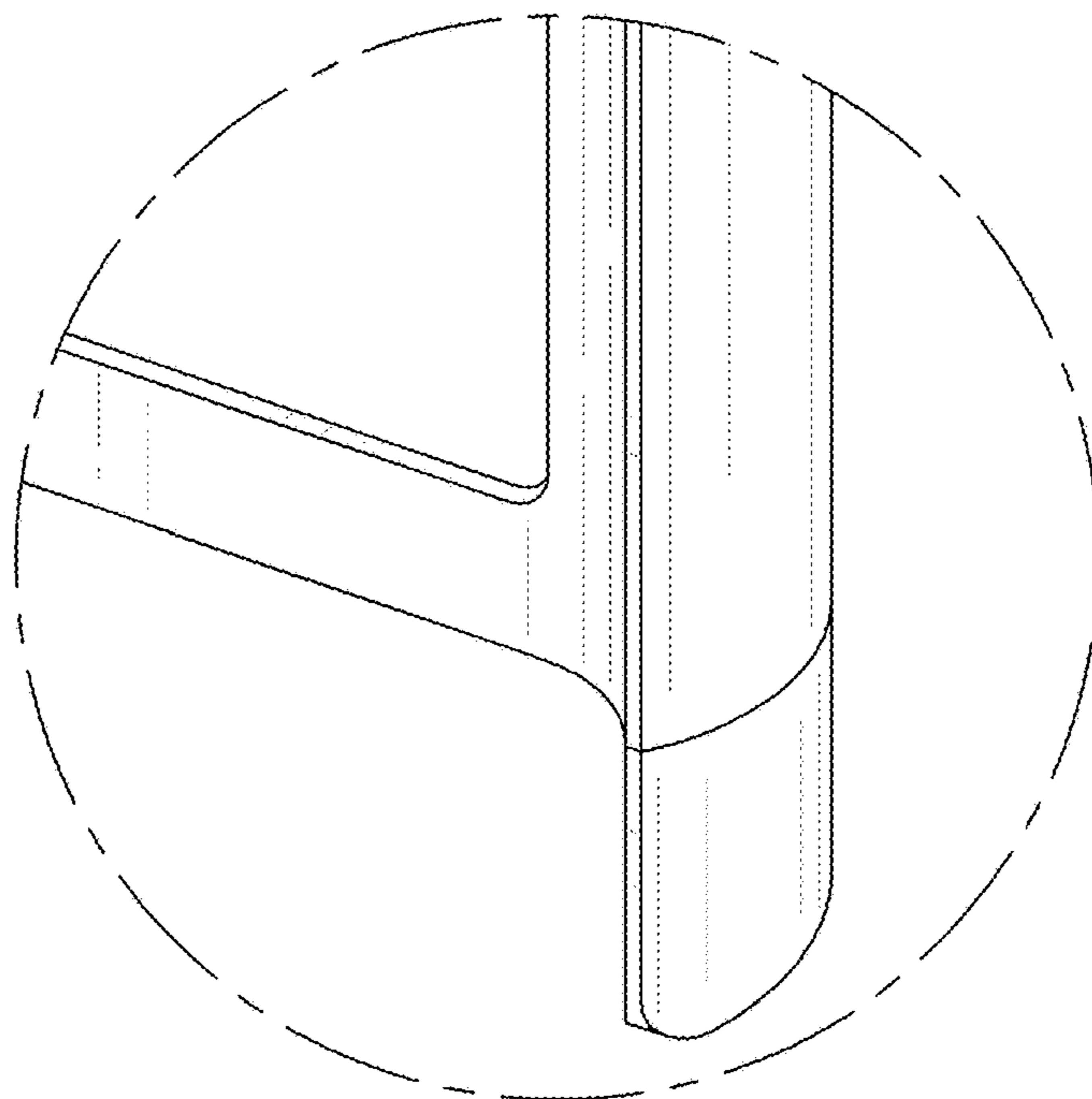


FIG. 11

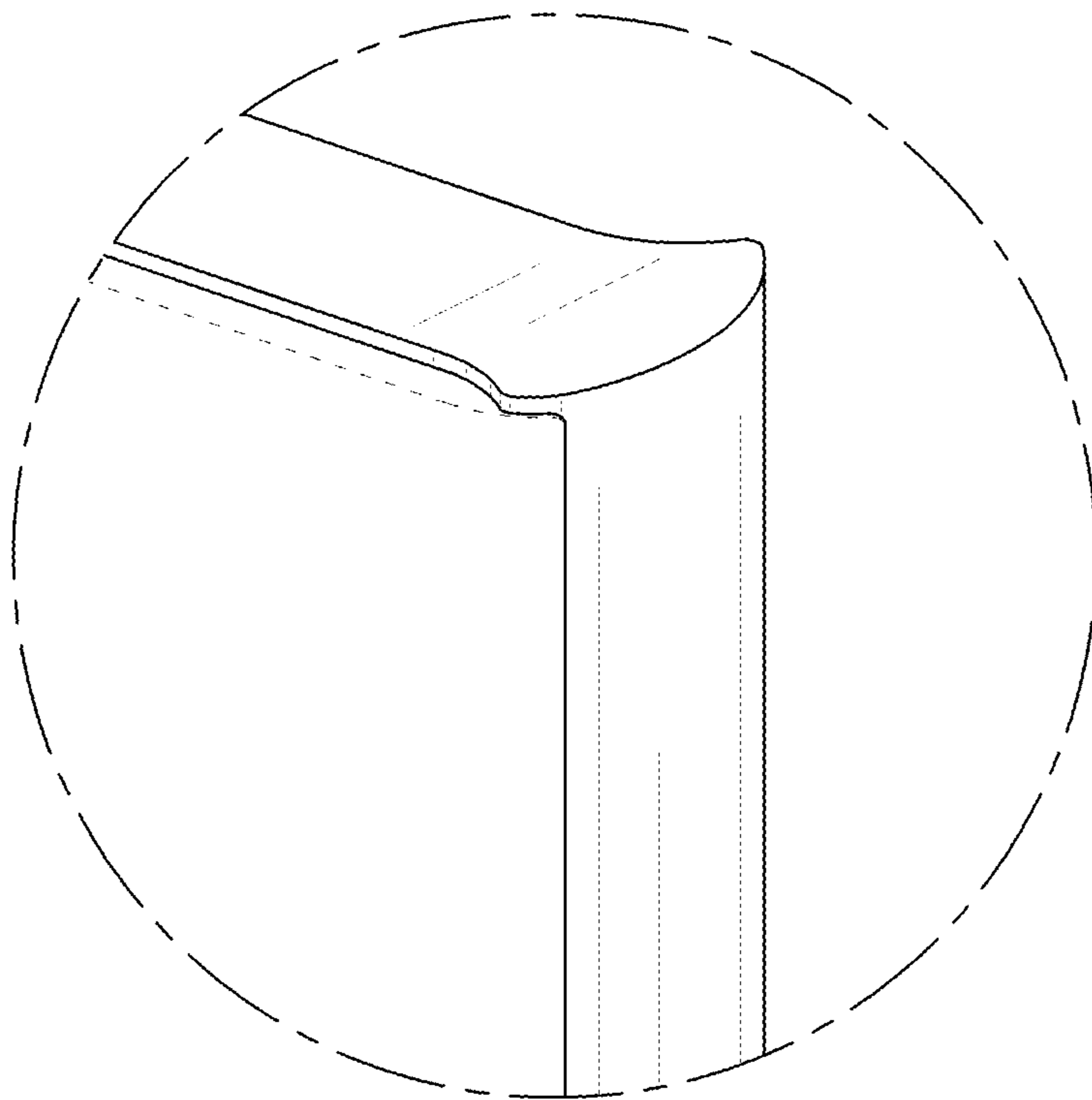


FIG. 12

