



US00D908649S

(12) **United States Design Patent** (10) **Patent No.:** **US D908,649 S**
Jauhonen et al. (45) **Date of Patent:** **** Jan. 26, 2021**

(54) **EQUIPMENT FOR DISTRIBUTION OF ELECTRIC POWER**

(71) Applicant: **ABB Schweiz AG**, Baden (SE)

(72) Inventors: **Roman Jauhonen**, Helsinki (FI); **Emma Roos**, Helsinki (FI); **Valtteri Torppala**, Vantaa (FI); **Juha Viljasalo**, Nivala (FI); **Heikki Lehtola**, Nivala (FI); **Lauri Keränen**, Himanka (FI)

(73) Assignee: **ABB Schweiz AG**, Baden (CH)

(**) Term: **15 Years**

(21) Appl. No.: **29/684,611**

(22) Filed: **Mar. 22, 2019**

(51) **LOC (13) Cl.** **13-03**

(52) **U.S. Cl.**
USPC **D13/184**

(58) **Field of Classification Search**
USPC D13/184, 160, 123-132, 112, 118, 152, D13/154, 173, 175, 178, 199
CPC E05C 9/043; E05D 15/502; G06F 3/061; G06F 3/0632; G06F 3/0686; G06F 3/0659; G06F 3/0634; G06F 1/189; H02B 1/38; H02B 1/50; H02B 1/308; H05K 7/183; H05K 7/186

See application file for complete search history.

(56) **References Cited**

U.S. PATENT DOCUMENTS

D235,653 S * 7/1975 Bozich D13/184
4,690,286 A * 9/1987 Horne H05K 7/1424
211/26
4,691,970 A * 9/1987 Neri A47B 47/0008
312/140
4,802,060 A * 1/1989 Immel H02B 1/565
361/678
5,181,395 A * 1/1993 Carpenter F25B 39/04
165/110
5,781,410 A * 7/1998 Keown H05K 7/186
174/559

D430,866 S * 9/2000 Beaumont D13/184
D431,556 S * 10/2000 Beaumont D13/184
D572,212 S * 7/2008 Taylor D13/184
D822,630 S * 7/2018 Zheng D13/184
2004/0132398 A1 * 7/2004 Sharp H05K 7/20609
454/184

(Continued)

FOREIGN PATENT DOCUMENTS

EP 1617715 A2 * 1/2006 H02B 1/50
GB 2427882 A * 1/2007 H02B 1/50
WO WO-2004076278 A2 * 9/2004 H02B 1/50

OTHER PUBLICATIONS

Alibaba. Link: https://boerstn.en.alibaba.com/product/60755059276-805398121/Professional_Custom_Made_Outdoor_Electrical_Power_Distribution_Container_Kiosk_Package_Type_Transformer_Substation_Equipment.html. Visited Sep. 11, 2020. Professional Custom Made Outdoor Electrical Power Distribution Container. (Year: 2020).*

(Continued)

Primary Examiner — Lauren D McVey
(74) *Attorney, Agent, or Firm* — Taft Stettinius & Hollister LLP; J. Bruce Schelkopf

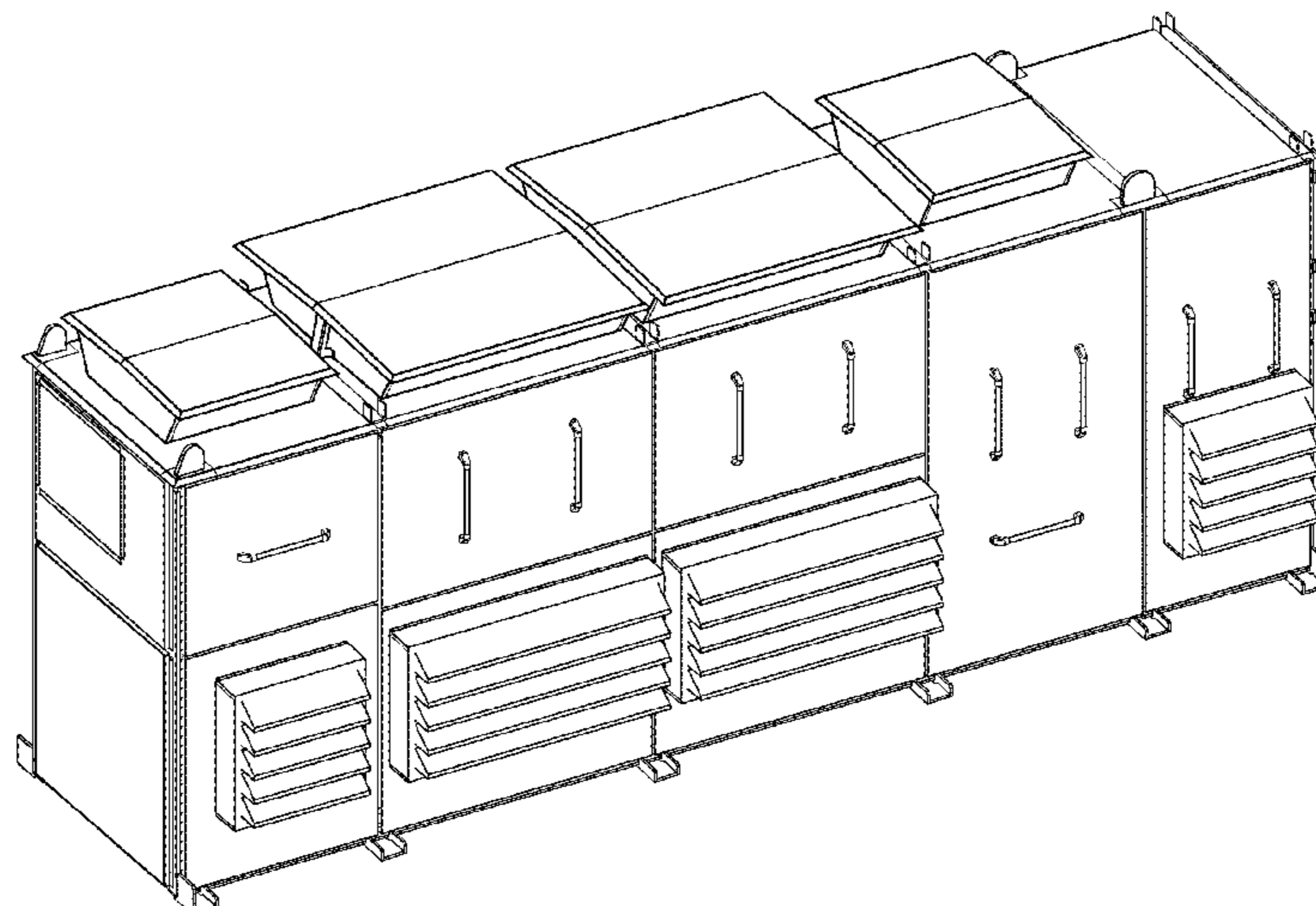
(57) **CLAIM**

The ornamental design for equipment for distribution of electric power, as shown and described.

DESCRIPTION

FIG. 1 is a perspective view of an equipment for distribution of electric power showing our new design; FIG. 2 is a front elevation view thereof; FIG. 3 is a rear elevation view thereof; FIG. 4 is a left side elevation view thereof; and, FIG. 5 is a right side elevation view thereof. The wire frame lines shown throughout the views indicate surface contour.

1 Claim, 5 Drawing Sheets



(56)

References Cited

U.S. PATENT DOCUMENTS

2005/0138248 A1* 6/2005 Goodman G06F 11/2092
710/74
2018/0131162 A1* 5/2018 Dominguez H02B 1/38

OTHER PUBLICATIONS

T&D World. Link: <https://www.tdworld.com/grid-innovations/distribution/article/20964034/selfhealing-networks-come-to-the-netherlands>. Mar. 4, 2014. Self-Healing Networks Come to the Netherlands. (Year: 2014).*

* cited by examiner

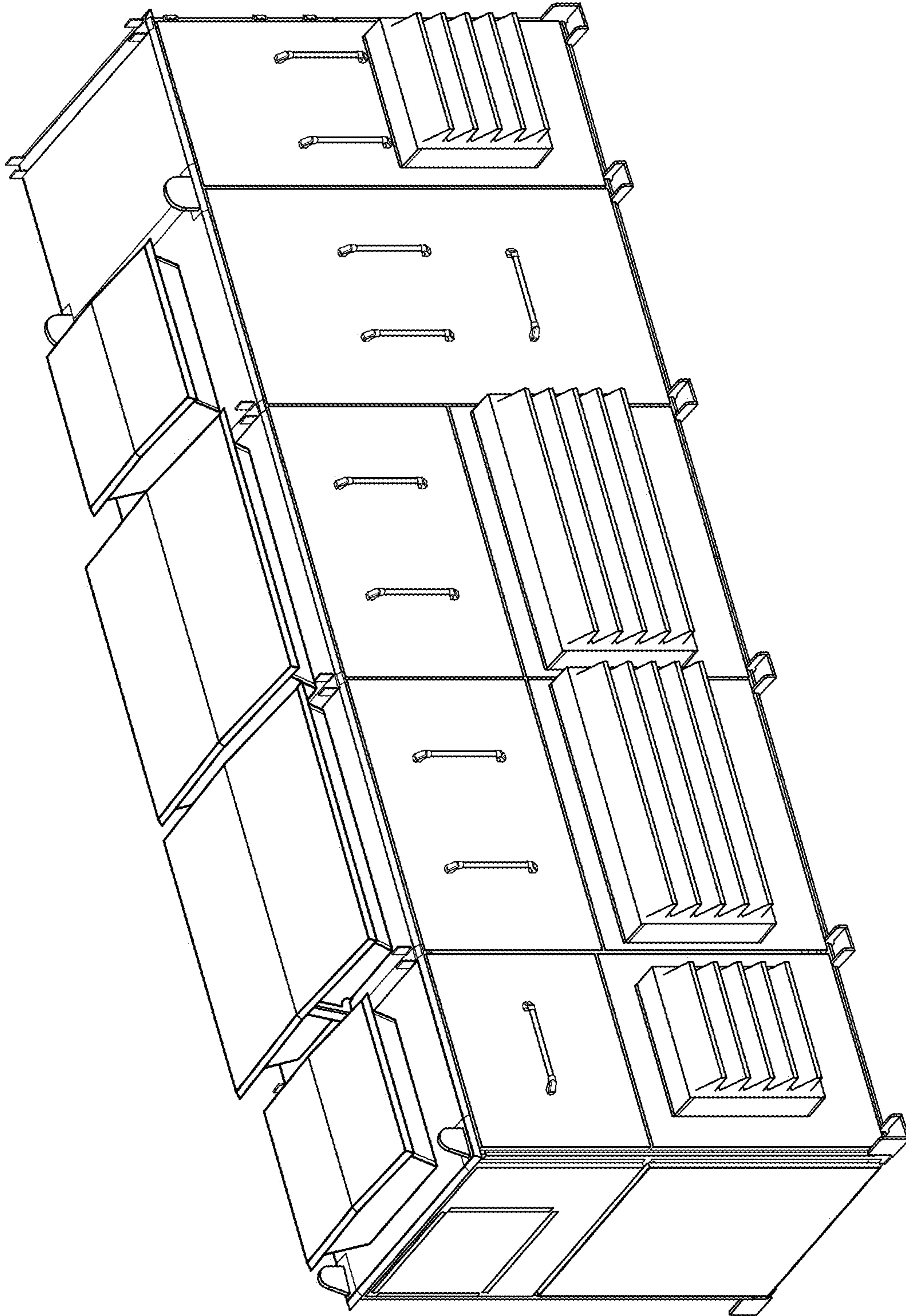


FIG. 1

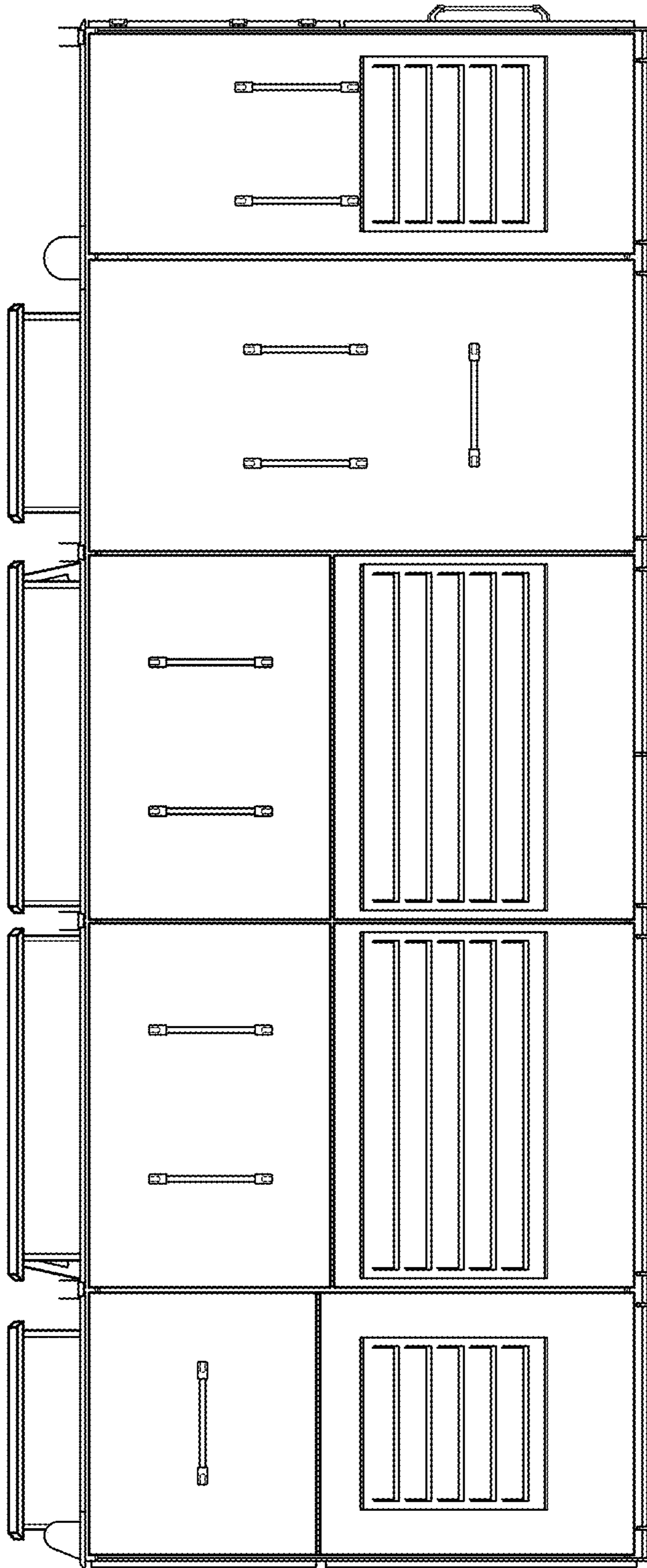


FIG. 2

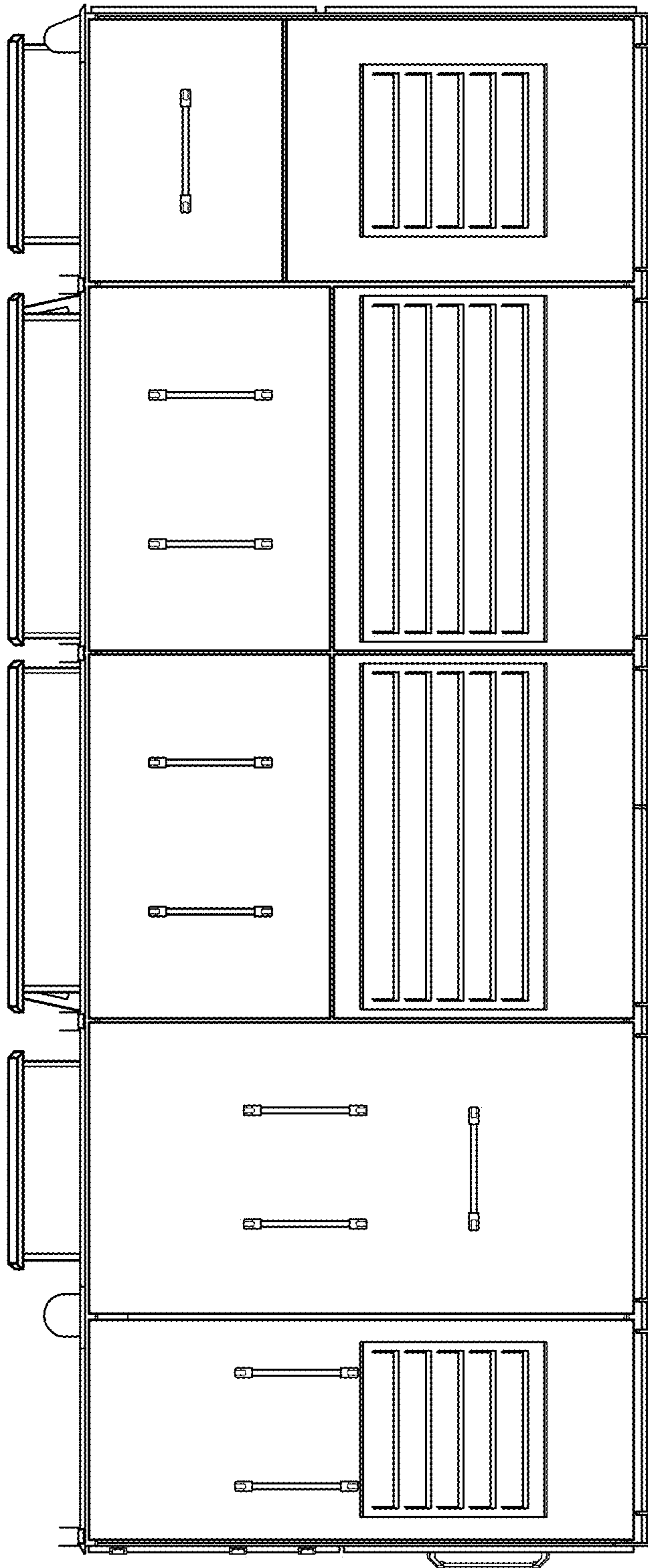


FIG. 3

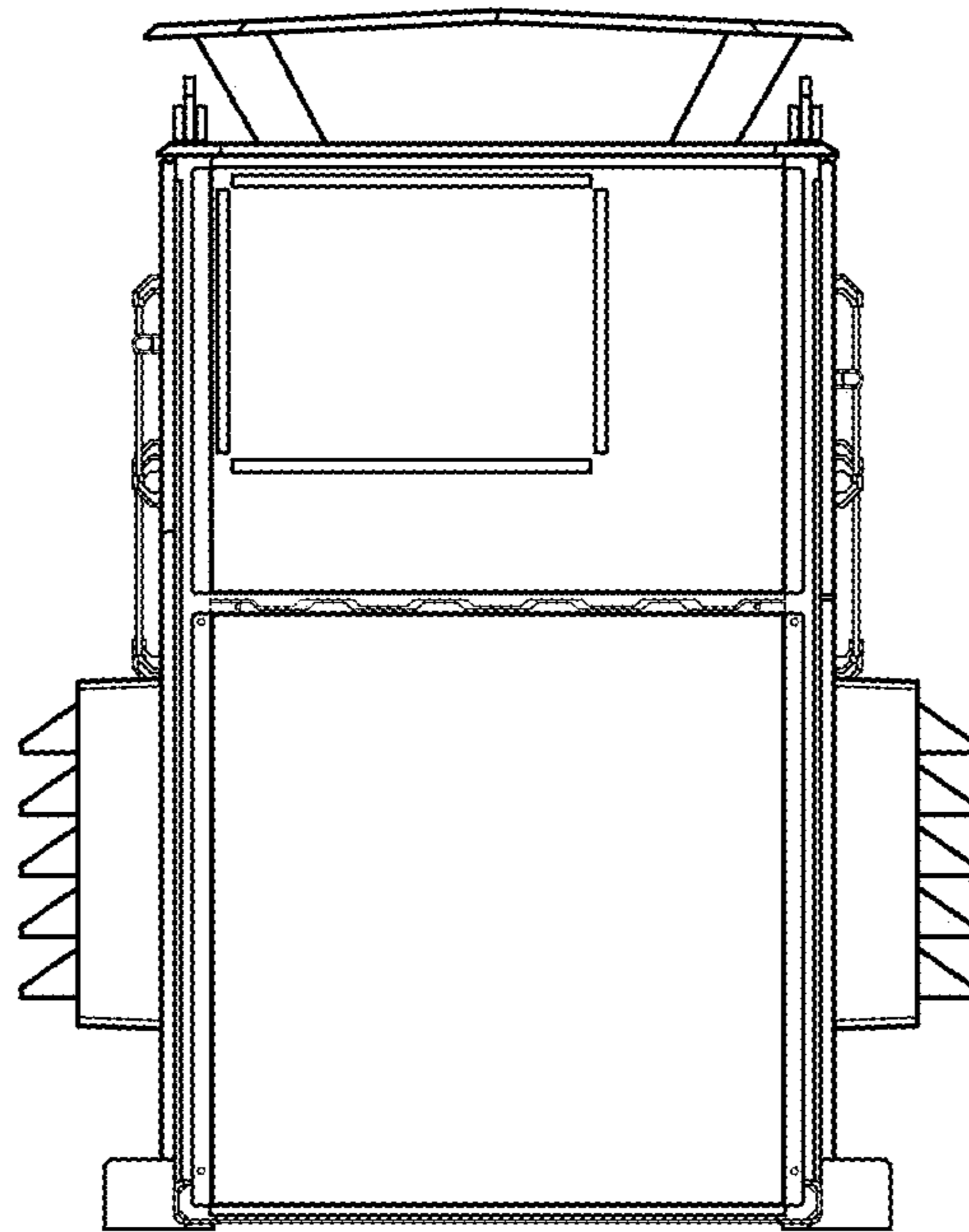


FIG. 4

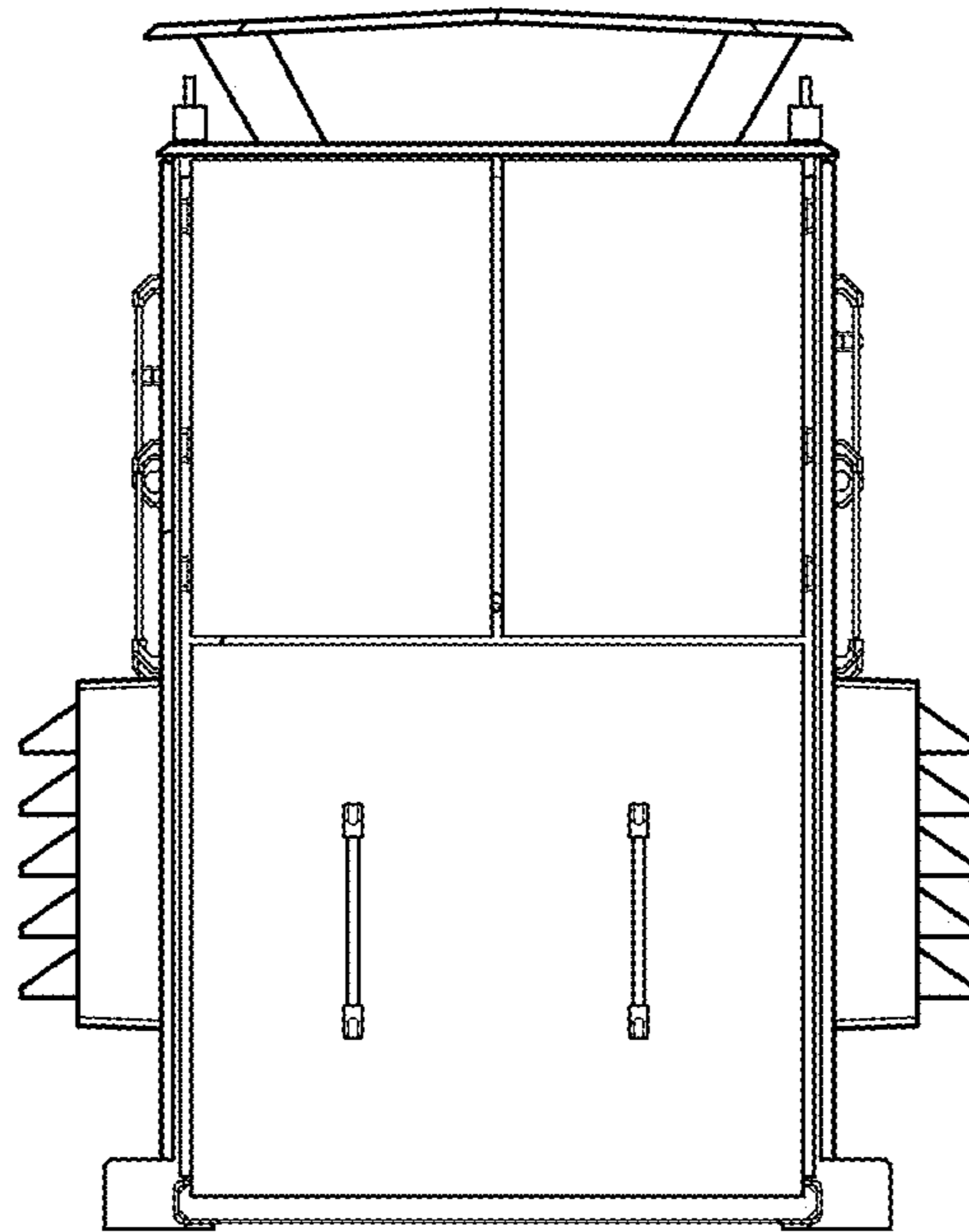


FIG. 5