



US00D908643S

(12) **United States Design Patent**
Dimberg et al.

(10) **Patent No.:** **US D908,643 S**

(45) **Date of Patent:** **** *Jan. 26, 2021**

(54) **CONTROL DEVICE**

H05B 39/085; H05B 39/086; H05B 39/088; G08C 17/02; H03K 17/962

(71) Applicant: **Lutron Technology Company LLC**,
Coopersburg, PA (US)

See application file for complete search history.

(72) Inventors: **Chris Dimberg**, Easton, PA (US);
Susan Hakkarainen, Doylestown, PA (US);
Jason C. Killo, Emmaus, PA (US);
Brad Michael Kreschollek, Bethlehem, PA (US);
Noel Mayo, Philadelphia, PA (US);
Matthew Philip McDonald, Phoenixville, PA (US)

(56) **References Cited**

U.S. PATENT DOCUMENTS

D199,922 S	12/1964	Schlage	
4,499,630 A *	2/1985	Harris F24C 3/124 16/441
D305,022 S *	12/1989	Hallgren D13/171
D362,841 S	10/1995	Roza	
6,107,583 A	8/2000	Berfield	

(Continued)

(73) Assignee: **Lutron Technology Company LLC**,
Coopersburg, PA (US)

(*) Notice: This patent is subject to a terminal disclaimer.

(**) Term: **15 Years**

(21) Appl. No.: **29/699,451**

(22) Filed: **Jul. 25, 2019**

OTHER PUBLICATIONS

Thermo-Floor ISE 2019-Z—Wave Alliance; before Dec. 31, 2019; 1pg; https://www.google.com/search?q=dimmer+before%3A2019-12-31&tbm=isch&ved=2ahUKEwi6jLeU2dnoAhVSad8KHfE4C3QQ2-cCegQIABAA&oeq=dimmer+before%3A2019-12-31&gs_lcp=CgNpbWcQDDoECAAQ QzoCCAA6BAgAEB46BggAEAgQHjoECAAQGDoGCAAQChAYUM6DB1im3wdgmvYHaABwA.*

(Continued)

Related U.S. Application Data

(63) Continuation of application No. 29/680,802, filed on Feb. 20, 2019, now Pat. No. Des. 893,437, which is a continuation of application No. 29/633,233, filed on Jan. 12, 2018, now Pat. No. Des. 846,508, which is a continuation of application No. 29/569,814, filed on Jun. 30, 2016, now Pat. No. Des. 814,428.

Primary Examiner — Selina Sikder

(74) *Attorney, Agent, or Firm* — Saidman DesignLaw Group, LLC

(51) **LOC (13) Cl.** **13-03**

(52) **U.S. Cl.**
USPC **D13/171**; D13/174

(57) **CLAIM**

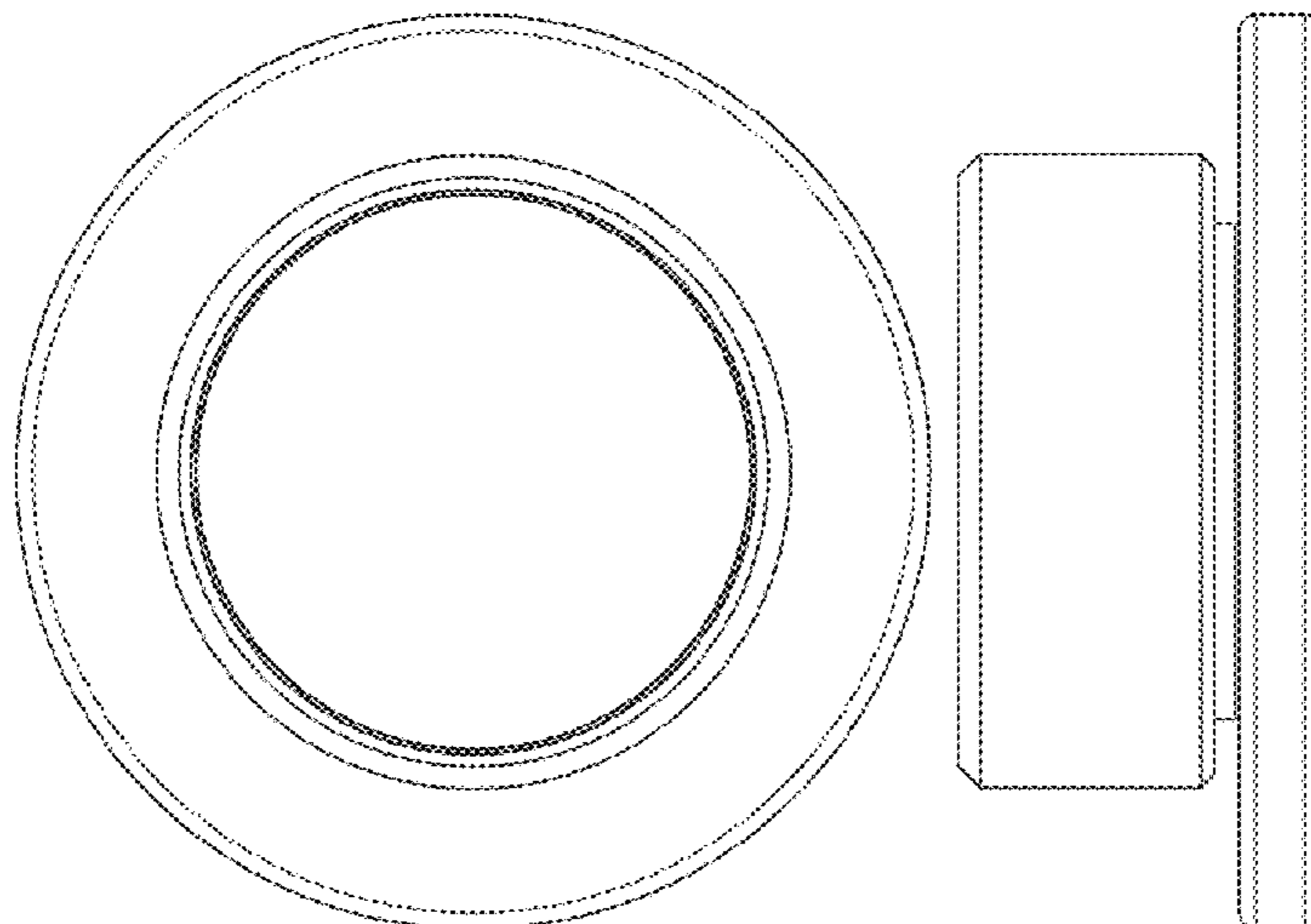
The ornamental design for a control device, as shown and described.

(58) **Field of Classification Search**
USPC D13/162, 168, 171, 173, 174; D14/487, D14/489; D10/104.1; D7/393; D8/310, D8/312
CPC H01H 3/12; H01H 3/122; H01H 9/02; H01H 9/16; H01H 9/18; H01H 9/181; H01H 9/182; H01H 13/023; H01H 13/04; H01H 13/06; H01H 13/14; H01H 2009/187; H05B 33/0803; H05B 33/0863; H05B 37/02; H05B 37/0254; H05B 37/0272; H05B 39/02; H05B 39/04;

DESCRIPTION

FIG. 1 is a front view of a control device showing our new design;
FIG. 2 is a left side view thereof;
FIG. 3 is a right side view thereof;
FIG. 4 is a top view thereof; and,
FIG. 5 is a bottom view thereof.

1 Claim, 1 Drawing Sheet



(56)

References Cited

U.S. PATENT DOCUMENTS

D441,346 S 5/2001 Bonn
 D464,630 S 10/2002 Woodworth
 D469,411 S 1/2003 Decosse
 D515,516 S 2/2006 Mayo et al.
 D558,692 S 1/2008 Neveu
 D589,463 S 3/2009 Sykes
 7,820,924 B2* 10/2010 Stilley G06F 1/1626
 200/5 R
 7,884,299 B2 2/2011 Glew
 D645,005 S 9/2011 Menheere
 D654,880 S 2/2012 Lam
 D687,328 S 8/2013 Clymer et al.
 D692,841 S* 11/2013 Li D13/174
 8,786,196 B2 7/2014 Biery et al.
 D713,236 S 9/2014 Park
 D719,007 S* 12/2014 Bouthillier D8/300
 D722,259 S* 2/2015 Conner D8/300
 D725,612 S 3/2015 Schlegel et al.
 D748,648 S 2/2016 Kim et al.
 D752,503 S* 3/2016 Sethapun D12/345
 D755,037 S 5/2016 Czerwinski, Jr. et al.
 9,337,943 B2 5/2016 Mosebrook et al.
 D761,277 S 7/2016 Harvell
 D762,716 S 8/2016 Yang et al.
 D763,308 S 8/2016 Wang et al.
 D766,844 S 9/2016 Turksu et al.
 9,538,619 B2 1/2017 Swatsky et al.
 9,565,742 B2 2/2017 Swatsky et al.
 9,633,557 B2 4/2017 Dimberg et al.
 D786,932 S 5/2017 Kim et al.
 D808,912 S 1/2018 Dimberg et al.
 D814,428 S 4/2018 Dimberg et al.
 D827,645 S* 9/2018 Raken D14/388
 D837,168 S 1/2019 Altonen et al.
 D837,169 S 1/2019 Altonen et al.
 D839,847 S 2/2019 Dimberg et al.
 D846,508 S 4/2019 Dimberg et al.
 D878,309 S* 3/2020 Altonen D13/171
 D878,310 S* 3/2020 Dimberg D13/171
 D879,055 S* 3/2020 Altonen D13/171
 2007/0057922 A1 3/2007 Schultz et al.
 2007/0102275 A1 5/2007 Genz et al.
 2007/0193867 A1 8/2007 Lorenzo Riera et al.
 2010/0175971 A1 7/2010 Kim et al.
 2012/0240472 A1* 9/2012 Bouthillier E05B 1/0015
 49/460
 2013/0328500 A1 12/2013 Toda

2014/0042002 A1 2/2014 Chu
 2014/0117871 A1 5/2014 Swatsky et al.
 2015/0371534 A1 12/2015 Dimberg et al.
 2017/0278383 A1 9/2017 Dimberg et al.
 2017/0280533 A1 9/2017 Dimberg et al.
 2017/0352506 A1 12/2017 Dimberg
 2017/0354012 A1 12/2017 Bard et al.
 2017/0354021 A1 12/2017 Dimberg et al.
 2017/0354022 A1 12/2017 Dimberg et al.
 2017/0354023 A1 12/2017 Dimberg et al.
 2018/0005742 A1 1/2018 Newman, Jr. et al.
 2018/0116039 A1 4/2018 Harte et al.

OTHER PUBLICATIONS

ZigBee Dimmer Switch; before Dec. 31, 2019; 1 pg. ; https://www.google.com/search?q=dimmer+before%3A2019-12-31&tbm=isch&ved=2ahUKEwi6jLeU2dnoAhVSad8KHfE4C3QQ2-cCegQIABAA&oq=dimmer+before%3A2019-12-31&gs_lcp=CgNpbWcQDDoECAAQzoCCAA6BAgAEB46BggAEAgQHjoECAAQGD0GCAAQChAYUM6DBIim3wdgmvYHaABwAHgAgAE7iAGhBpIBAJE4mAEA.*
 Legrand® / Pass & Seymour®, P&S Dimmers—DR Series Brochure, 2010, 2 pages.
 Legrand®, Dimmers Brochure, 2015, 18 pages.
 Lumenpulse™, Lumentone™ Specification Sheet, 2013, 4 pages.
 Lumenpulse™, Lumentone™ Installation Instructions, 2013, 1 page.
 Lumenpulse™, Lumentone™ Quick Reference Guide, 2015, 3 pages.
 Electronic Theatre Controls, Inc., Echo Inspire © Station Programming Guide, Software Version 2.0.1, Feb. 2015, 44 pages.
 Electronic Theatre Controls, Inc., Echo Inspire © Control Stations, <URL:<https://www.etconnect.com/Products/Architectural-Systems/Echo/Control-Stations/Inspire-Control-Stations/Features.aspx>>, available from Internet at least as early as Jul. 15, 2014 [site visited May 9, 2018].
 Electronic Theatre Controls, Inc., Echo Inspire © Control Station: 4-Button with Fader Knob, photograph taken on May 8, 2018.
 U.S. Appl. No. 62/345,449, filed Jun. 3, 2016 (unpublished).
 U.S. Appl. No. 62/345,222, filed Jun. 3, 2016 (unpublished).
 U.S. Appl. No. 29/566,959, filed Jun. 3, 2016 (unpublished).
 U.S. Appl. No. 29/569,786, filed Jun. 30, 2016 (unpublished).
 U.S. Appl. No. 29/597,335, filed Mar. 16, 2017 (unpublished).

* cited by examiner

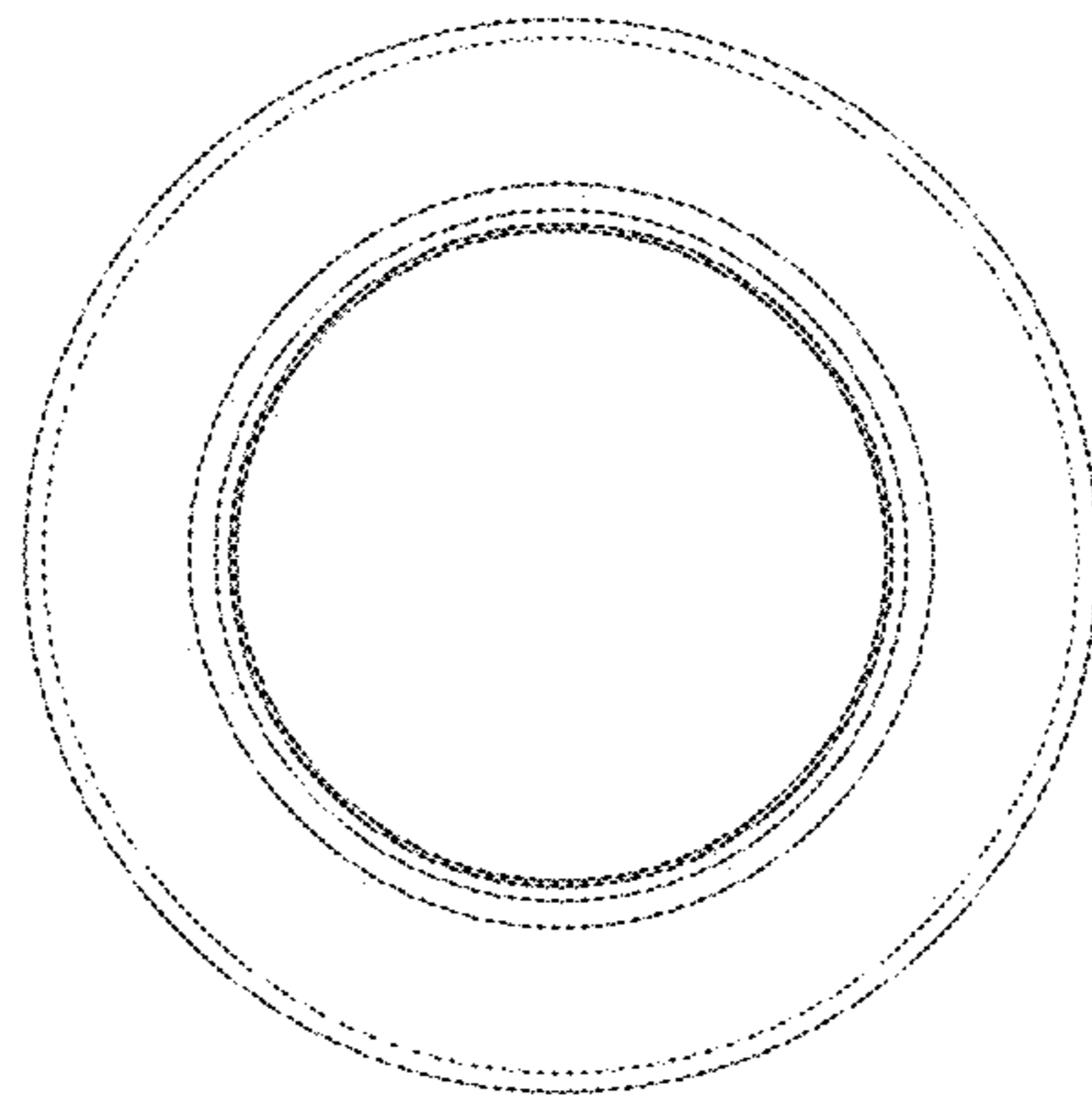


FIG. 1

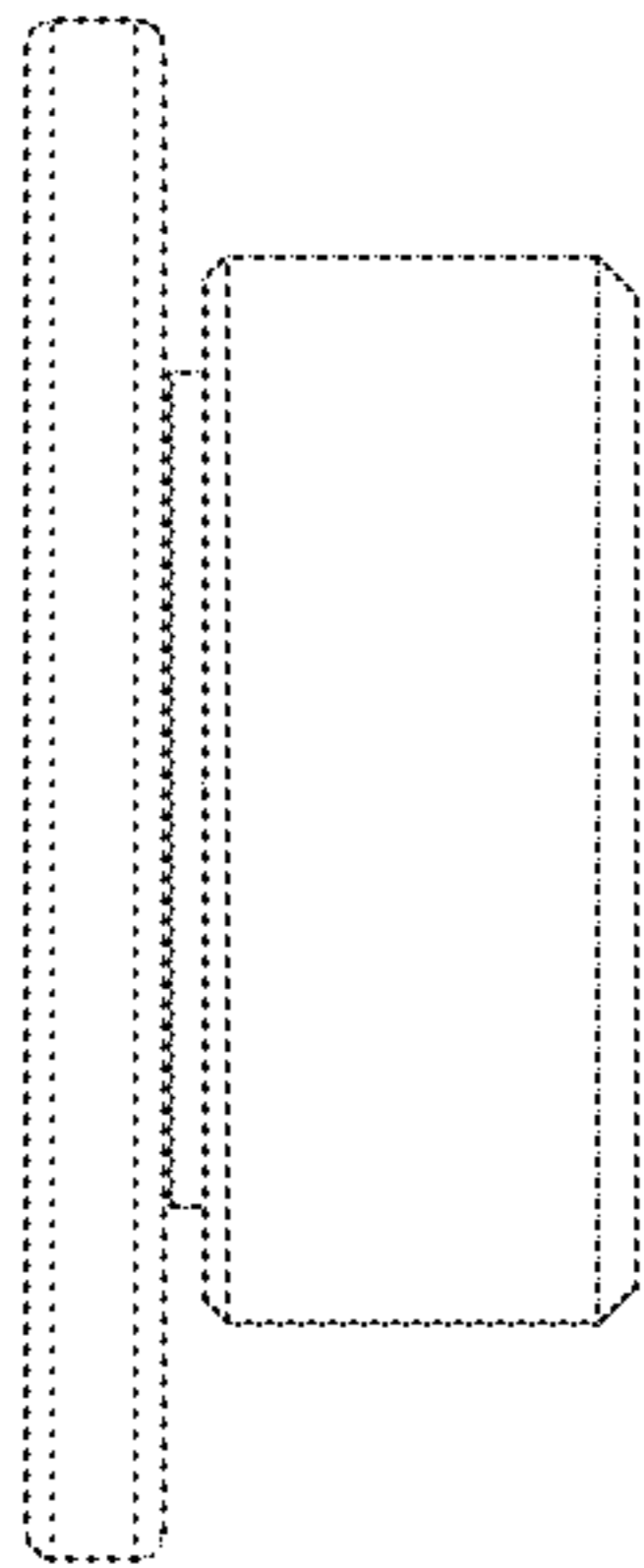


FIG. 2

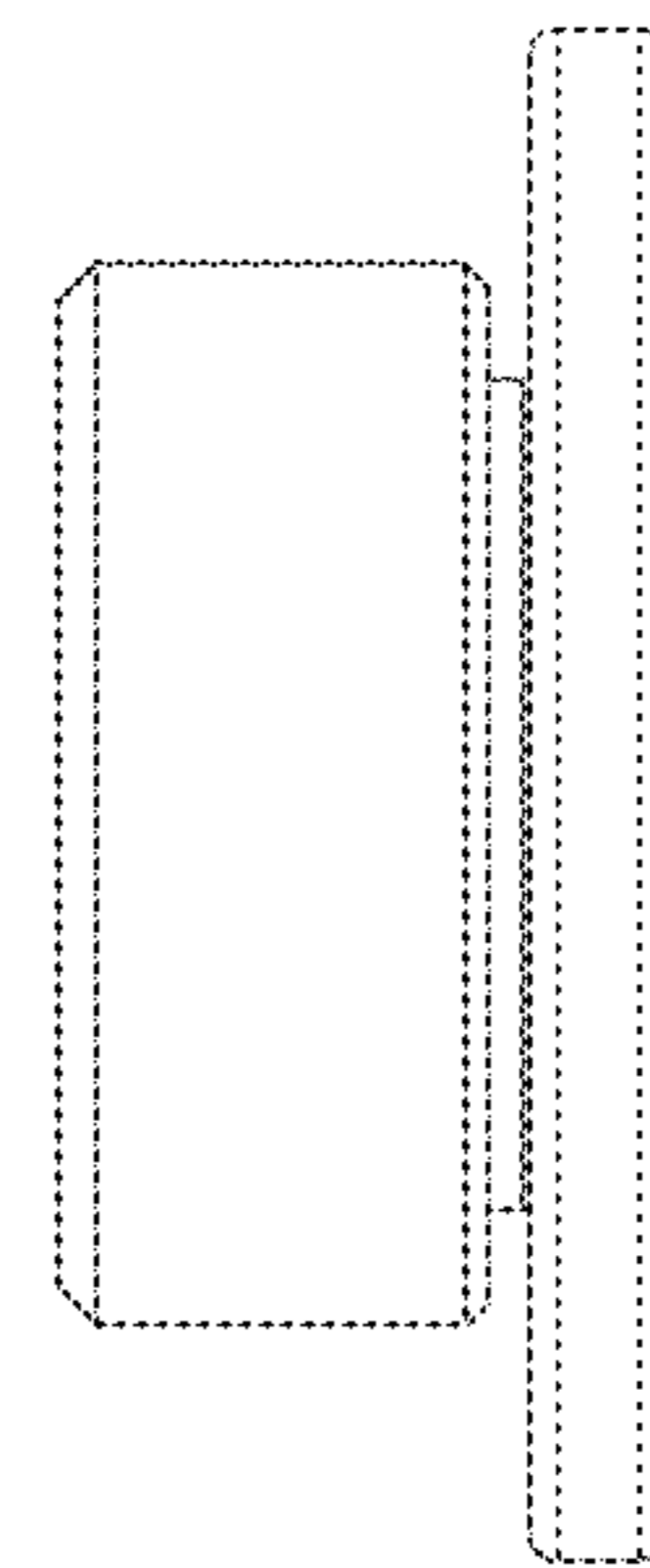


FIG. 3

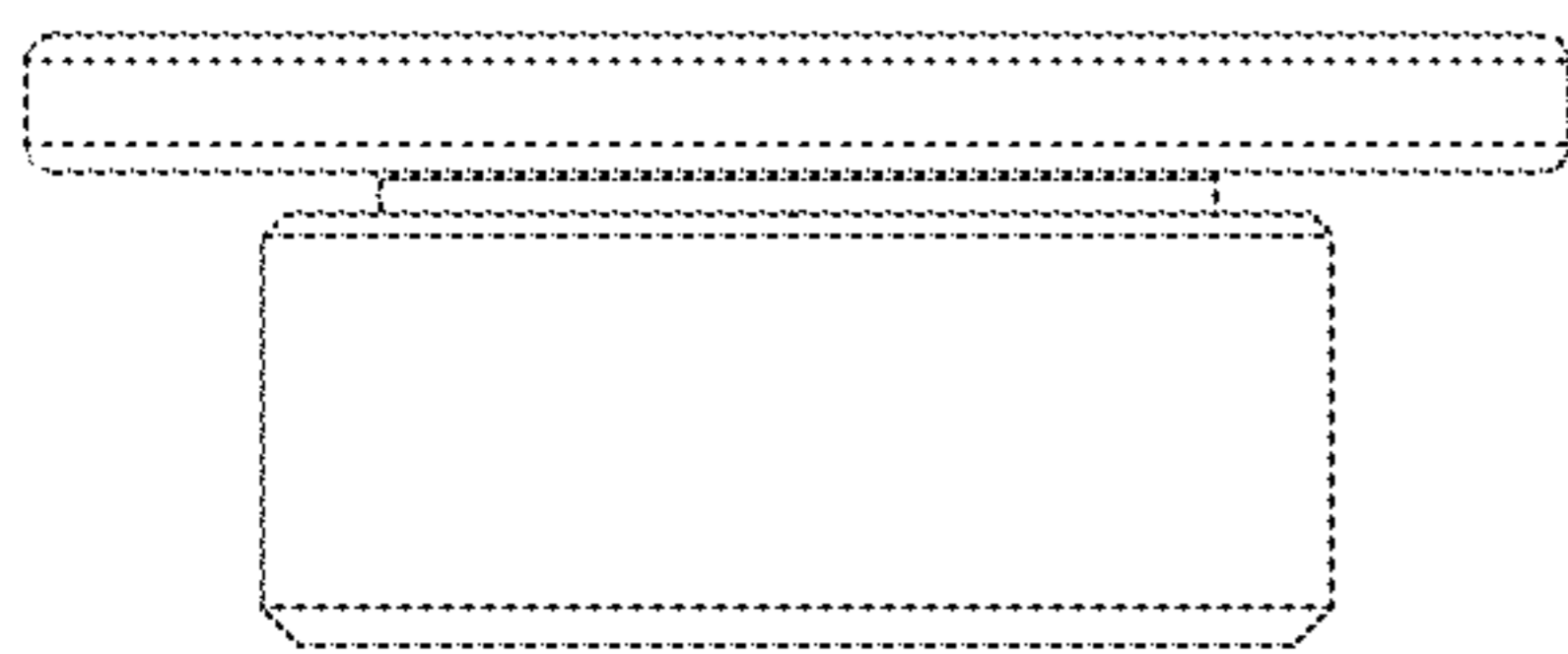


FIG. 4

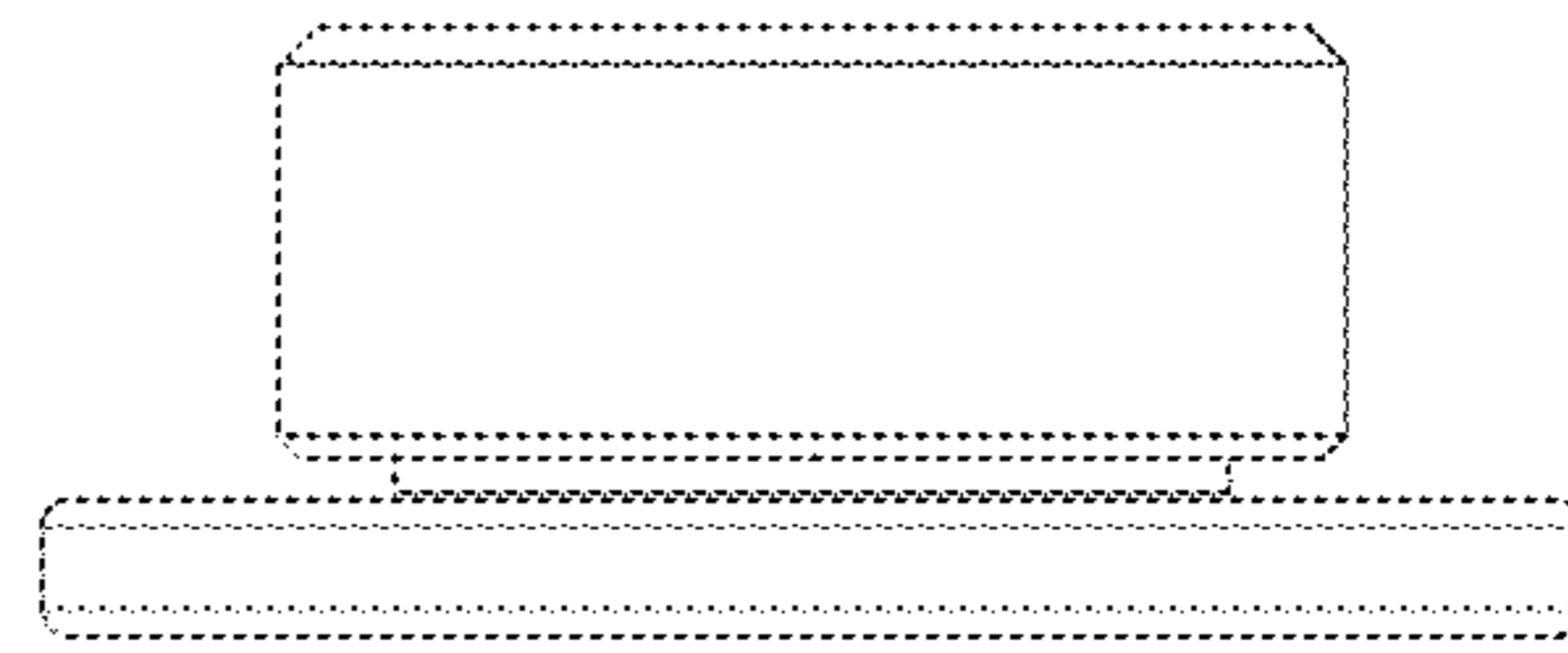


FIG. 5