



US00D908641S

(12) **United States Design Patent**
Roos et al.

(10) **Patent No.:** **US D908,641 S**
(45) **Date of Patent:** **** Jan. 26, 2021**

(54) **BLIND MATE WAVEGUIDE FLANGE**

D278,141 S *	3/1985	Steidel	D13/169
4,540,959 A *	9/1985	Saad	H01P 5/082
			333/21 R
D288,315 S *	2/1987	Nelson	D13/158
H321 H *	8/1987	Riley	333/239
5,364,136 A *	11/1994	Forti	F16L 25/14
			138/122
6,386,914 B1 *	5/2002	Collins	H01R 9/0527
			439/579
6,583,693 B2 *	6/2003	Paynter	H01P 5/082
			333/254
7,893,789 B2 *	2/2011	Paynter	B22D 17/007
			333/21 R
D720,698 S *	1/2015	Zerebilov	D13/147

(71) Applicant: **Roos Instruments, Inc.**, Santa Clara, CA (US)

(72) Inventors: **Mark Roos**, San Carlos, CA (US);
Rick Rodriguez, Brentwood, CA (US);
Ray Beers, San Jose, CA (US)

(73) Assignee: **Roos Instruments, Inc.**, Santa Clara, CA (US)

(**) Term: **15 Years**

* cited by examiner

(21) Appl. No.: **29/627,999**

Primary Examiner — Jennifer O King

(22) Filed: **Nov. 30, 2017**

(51) **LOC (13) Cl.** **13-03**

(57) **CLAIM**

(52) **U.S. Cl.**
USPC **D13/155**

We claim the ornamental design for a blind mate waveguide flange, as shown and described.

(58) **Field of Classification Search**
USPC D13/133, 147–158, 169, 180–182, 199;
D8/356
CPC .. H01P 5/082; H01P 1/042; H01P 1/04; H01P 1/162; H01R 9/032; H01R 9/0527
See application file for complete search history.

DESCRIPTION

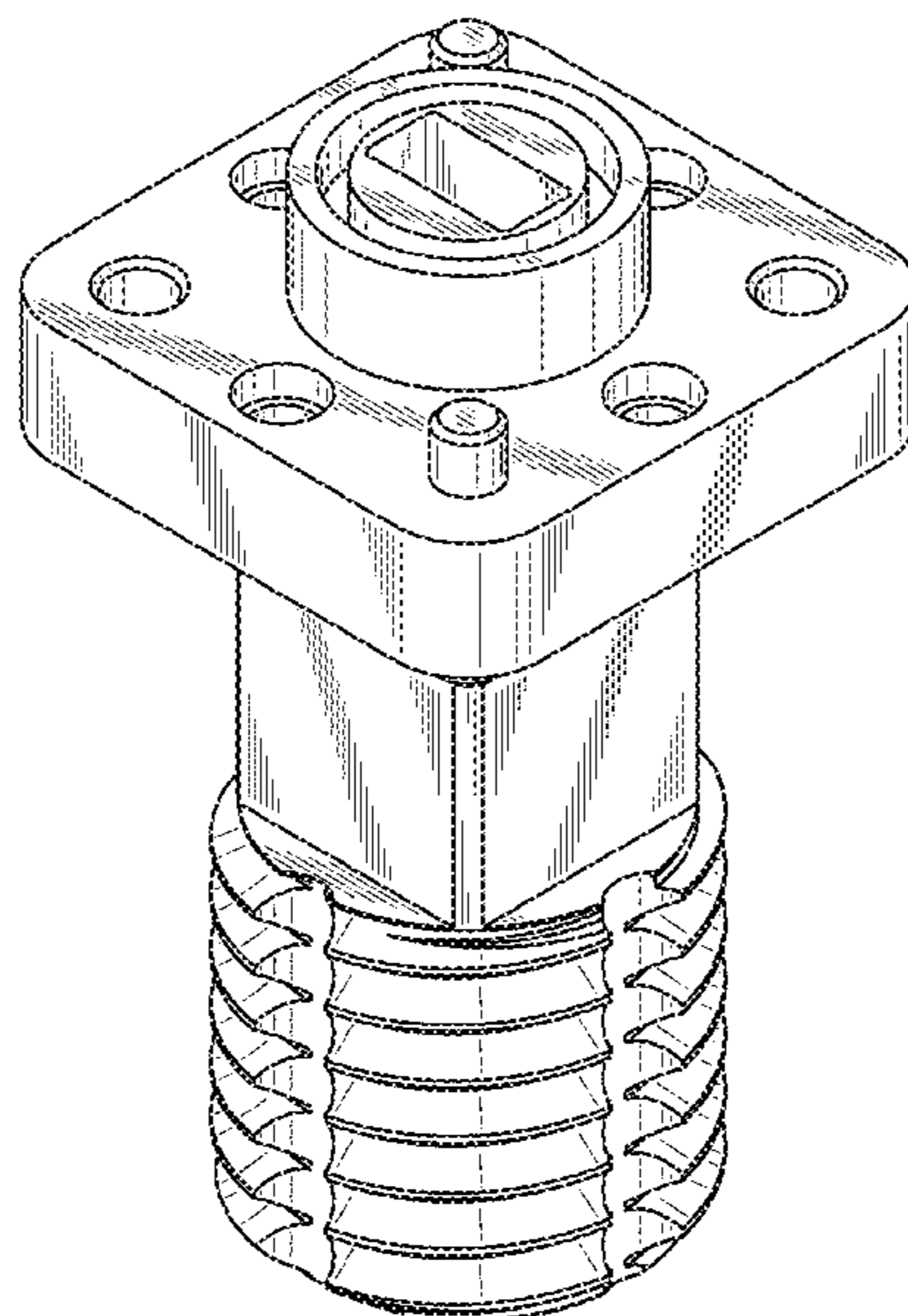
(56) **References Cited**

U.S. PATENT DOCUMENTS

2,837,723 A *	6/1958	Krantz	H01P 1/042
			333/256
D184,533 S *	3/1959	Overholser et al.	D13/199
3,374,450 A *	3/1968	Stewart	H01P 1/042
			333/254
3,784,939 A *	1/1974	Maeda	H01P 1/04
			333/254
3,818,383 A *	6/1974	Willis	H01P 5/082
			333/21 R
3,942,141 A *	3/1976	Kaffenberger	B65H 49/36
			333/254
D272,910 S *	3/1984	Taggart	D14/230

FIG. 1 is a top front right perspective view of a blind mate waveguide flange;
FIG. 2 is a bottom rear left perspective view of a blind mate waveguide flange;
FIG. 3 is a front elevational view of a blind mate waveguide flange;
FIG. 4 is a right side elevational view of a blind mate waveguide flange;
FIG. 5 is a rear elevational view of a blind mate waveguide flange;
FIG. 6 is a left side elevational view of a blind mate waveguide flange;
FIG. 7 is a top plan view of a blind mate waveguide flange;
and,
FIG. 8 is a bottom plan view of a blind mate waveguide flange.

1 Claim, 4 Drawing Sheets



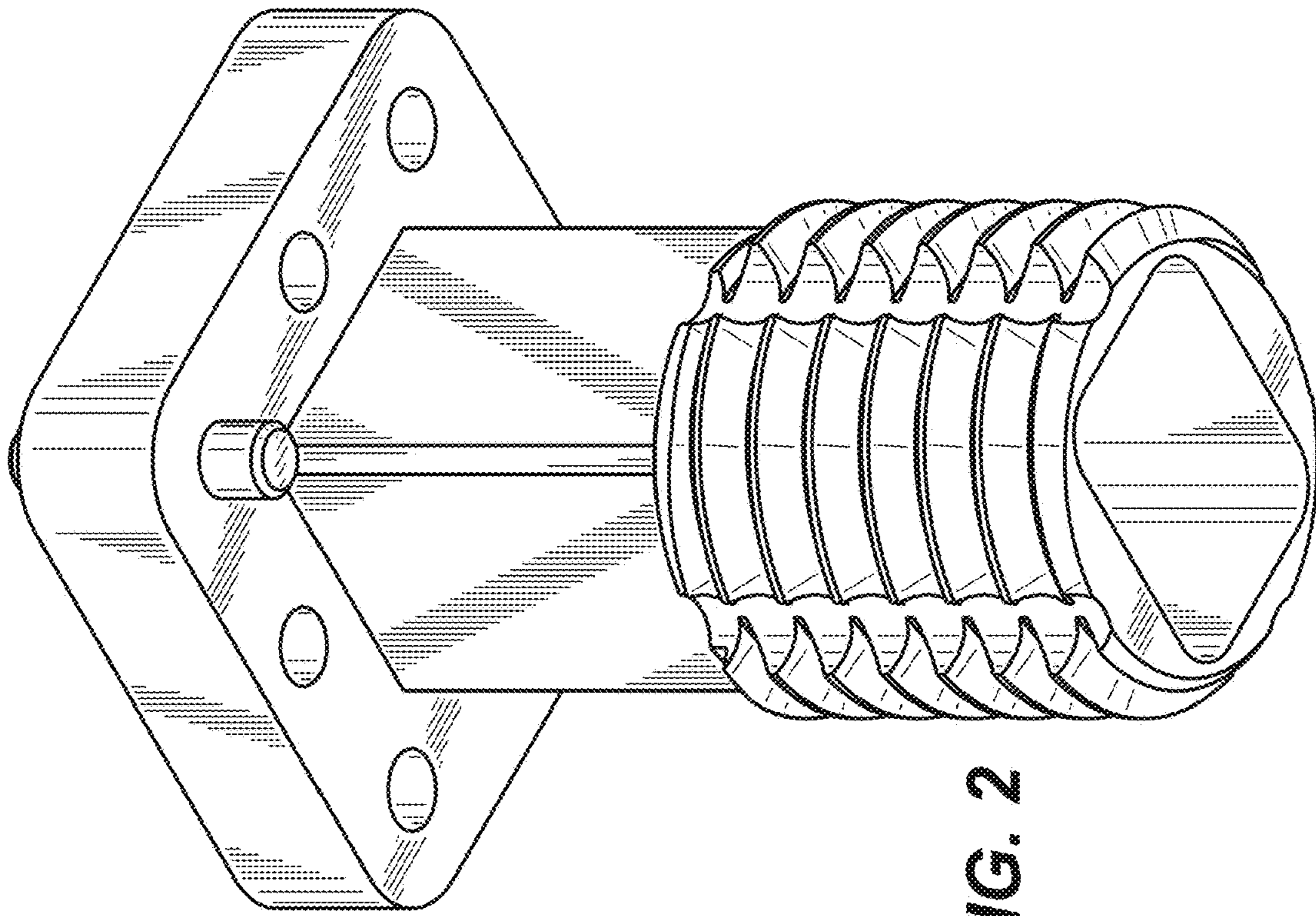


FIG. 2

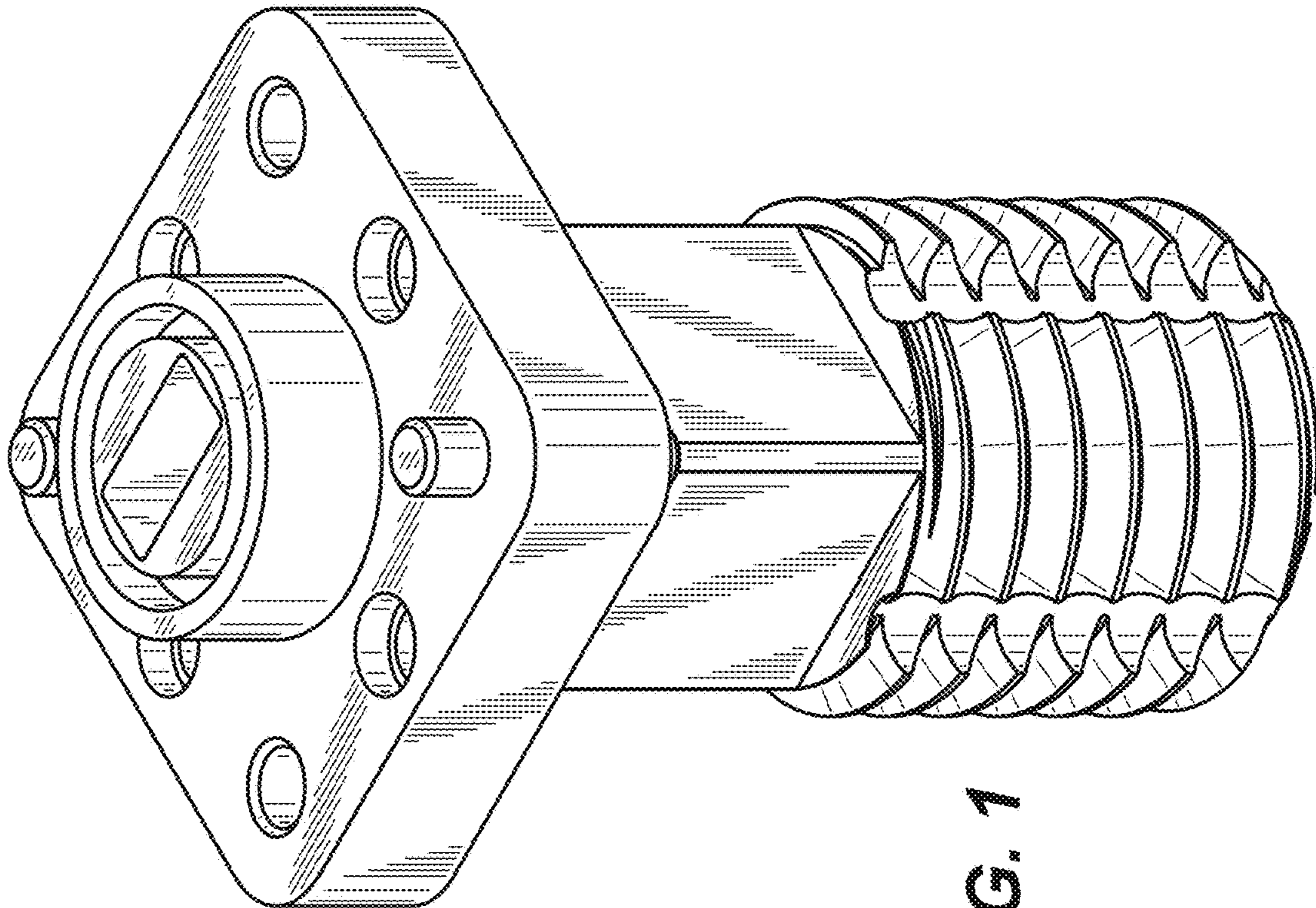


FIG. 1

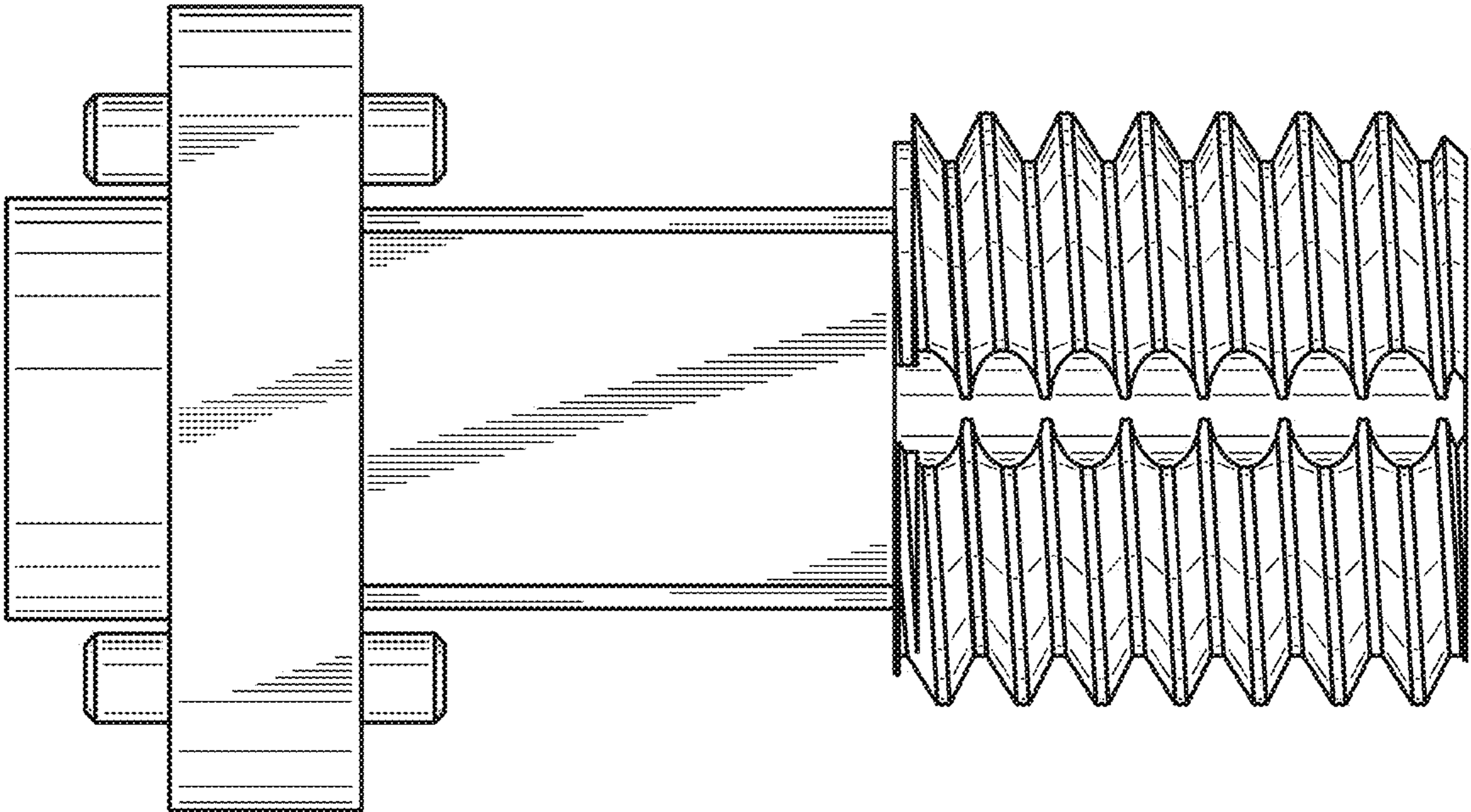


FIG. 4

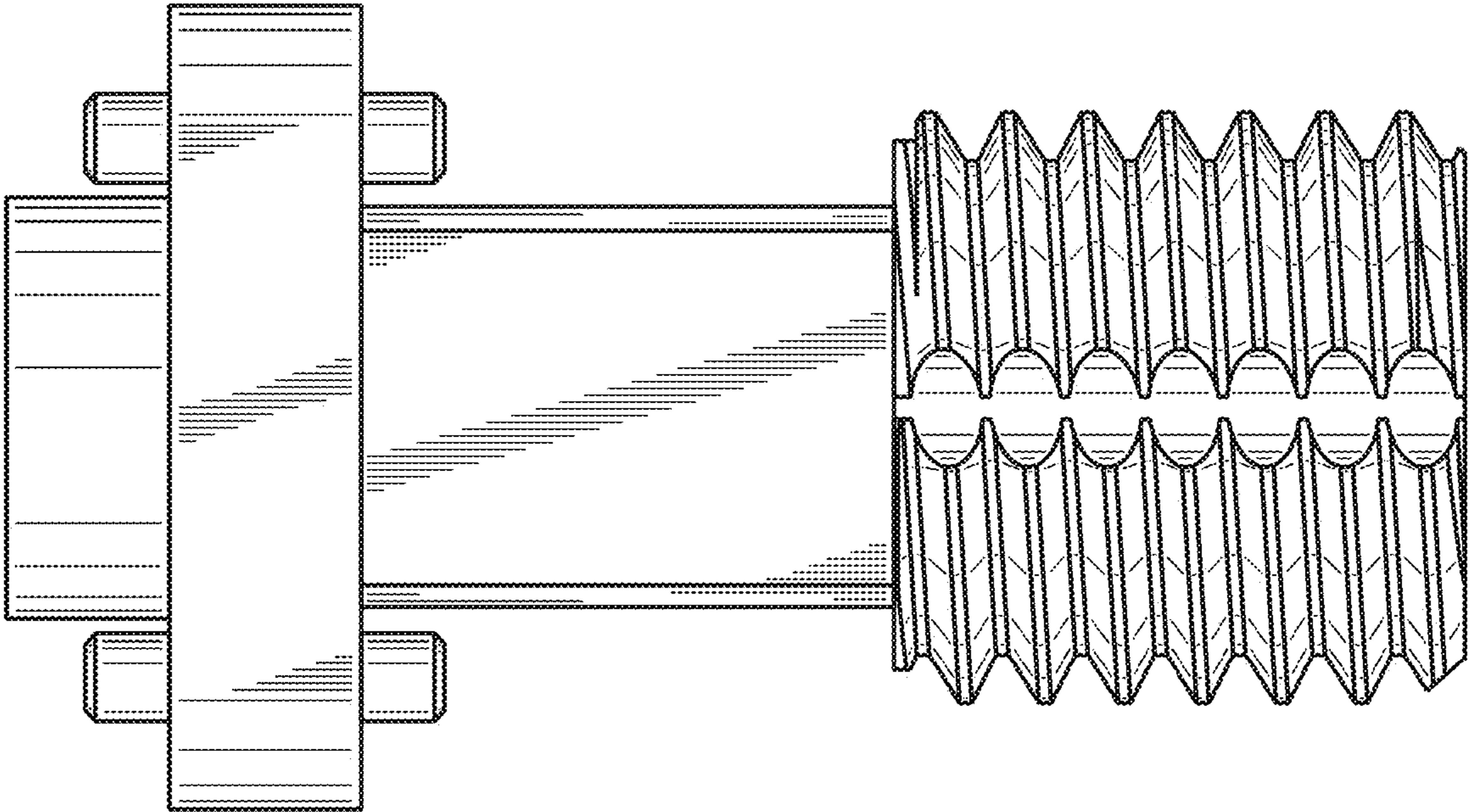


FIG. 3

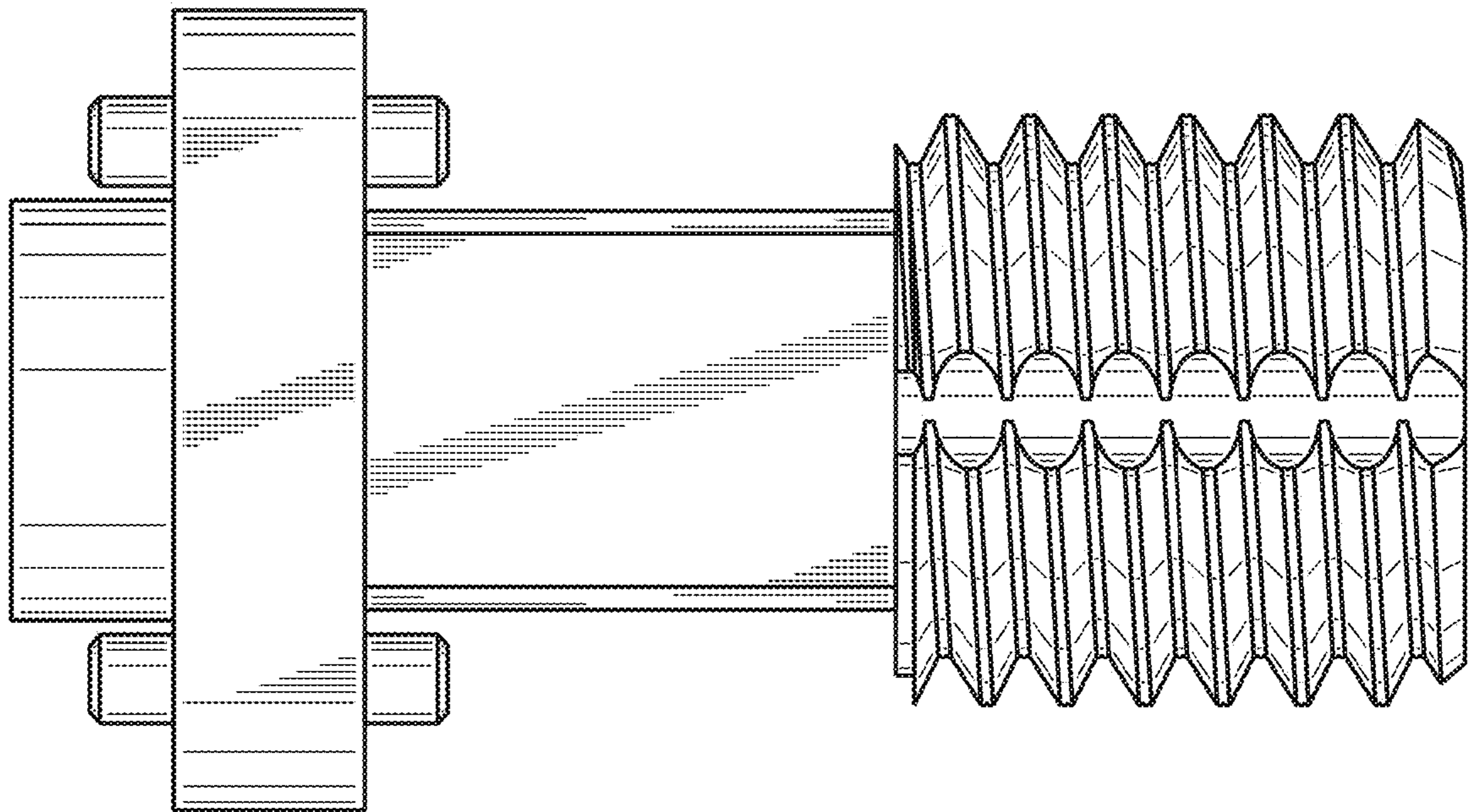


FIG. 6

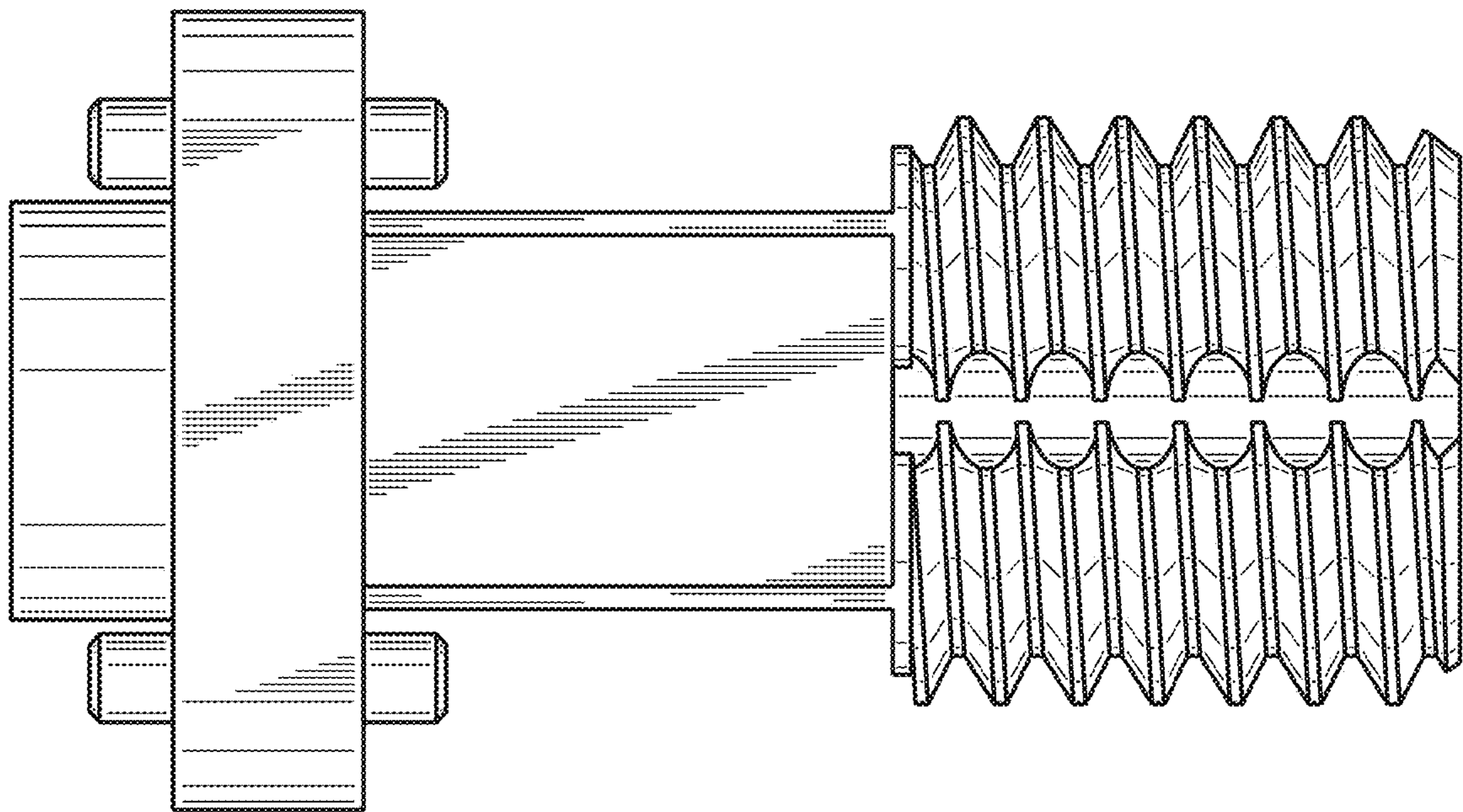


FIG. 5

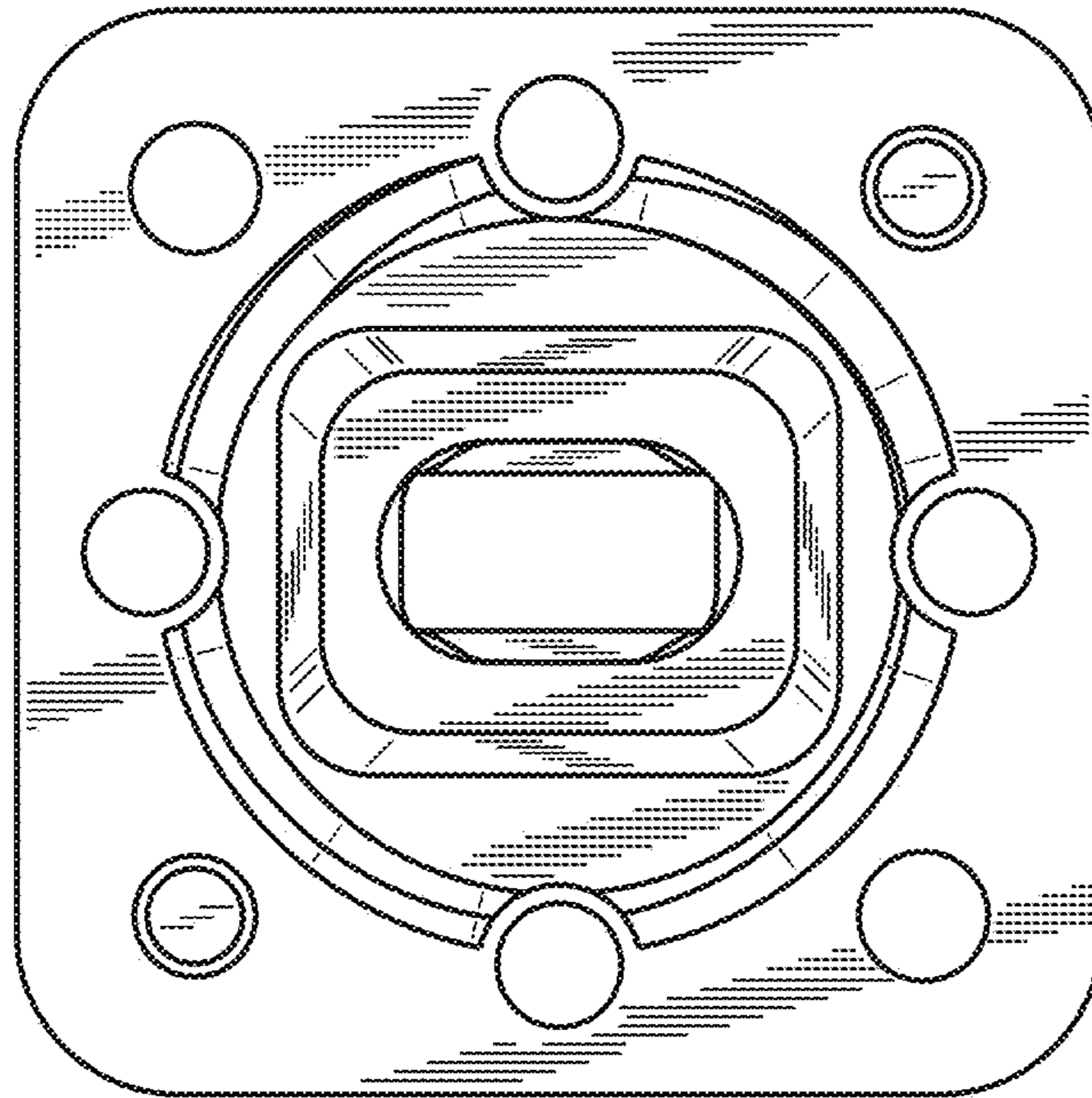


FIG. 7

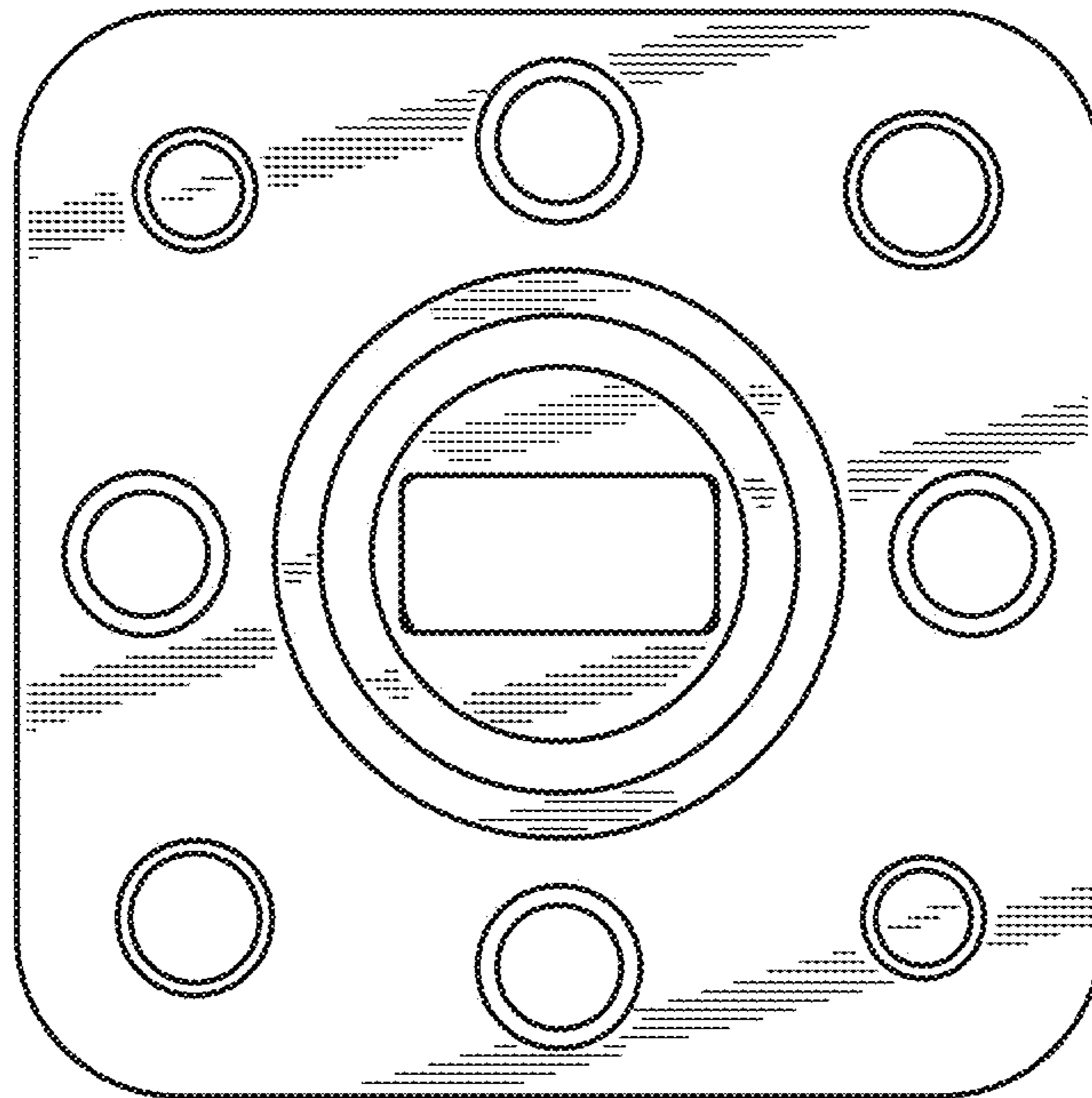


FIG. 8