



US00D908640S

(12) **United States Design Patent**
Miyamoto

(10) **Patent No.:** **US D908,640 S**
(45) **Date of Patent:** **** Jan. 26, 2021**

(54) **ELECTRICAL CONTACT**

- (71) Applicant: **EBARA CORPORATION**, Tokyo (JP)
- (72) Inventor: **Matsutaro Miyamoto**, Tokyo (JP)
- (73) Assignee: **EBARA CORPORATION**, Tokyo (JP)

(**) Term: **15 Years**

(21) Appl. No.: **29/680,569**

(22) Filed: **Feb. 18, 2019**

Related U.S. Application Data

- (62) Division of application No. 29/647,659, filed on May 15, 2018, now Pat. No. Des. 839,839, which is a
(Continued)

(30) **Foreign Application Priority Data**

- Nov. 27, 2015 (JP) 2015-026511
 - Nov. 27, 2015 (JP) 2015-026512
- (Continued)

(51) **LOC (13) Cl.** **13-03**

(52) **U.S. Cl.**
USPC **D13/154**

(58) **Field of Classification Search**
USPC D13/118, 120, 133, 146, 149, 153, 154,
D13/155, 173, 184, 199; D14/356, 432;
D23/259, 262
(Continued)

(56) **References Cited**

U.S. PATENT DOCUMENTS

- 5,043,528 A * 8/1991 Mohr H05K 9/0016
174/355
- 5,934,915 A * 8/1999 Henningson H05K 9/0016
174/354

(Continued)

FOREIGN PATENT DOCUMENTS

- JP D1533511 9/2015
- JP D1533730 9/2015
- JP D1533731 9/2015

OTHER PUBLICATIONS

“Cable Support Clip”. Found online Jul. 20, 2020 at grainger.com. Reference dated 2011. Retrieved from <https://www.grainger.com/ec/pdf/Caddy-Electrical-Low-Voltage-Datacomm-Fasteners-2011-Catalog.pdf>. (Year: 2011).*

(Continued)

Primary Examiner — Kendra Leslie Hamilton

Assistant Examiner — Amanda Christensen

(74) *Attorney, Agent, or Firm* — Pearne & Gordon LLP

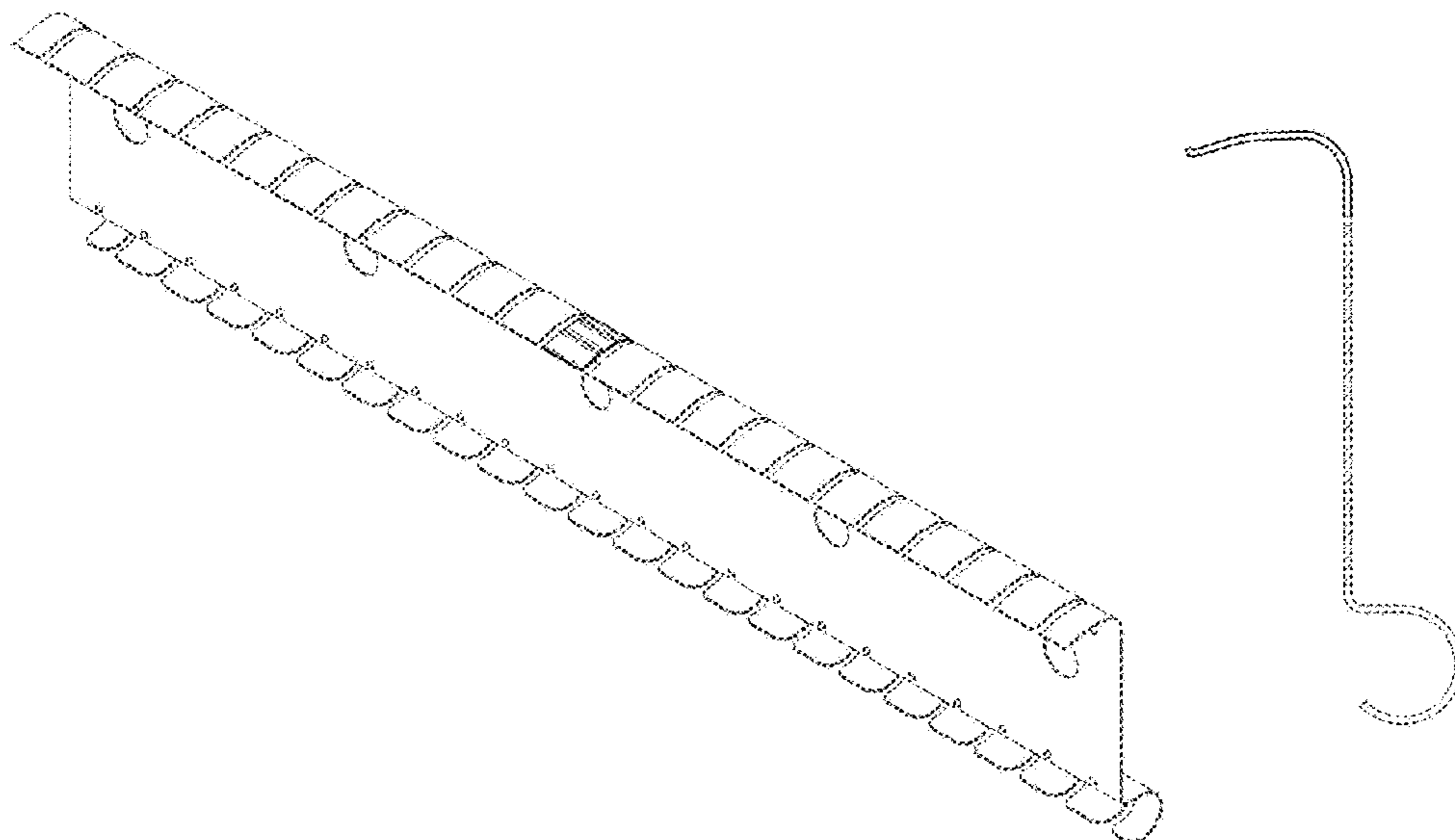
(57) **CLAIM**

The ornamental design for an electrical contact, as shown and described.

DESCRIPTION

FIG. 1 is a top, front, right side perspective view of an electrical contact, showing my new design;
FIG. 2 is a top, rear, right side perspective view thereof;
FIG. 3 is a front elevation view thereof;
FIG. 4 is a rear elevation view thereof;
FIG. 5 is a top plan view thereof;
FIG. 6 is a bottom plan view thereof;
FIG. 7 is a right side elevation view thereof, a left side elevation view being a mirror image thereof; and,
FIG. 8 is an enlarged cross-sectional right side elevation view thereof, taken along section line 8-8 of FIG. 3.
The equal length broken lines in the drawings depict portions of the electrical contact that form no part of the claimed design. The dash-dot-dash lines define the boundaries of the claimed design.

1 Claim, 3 Drawing Sheets



Related U.S. Application Data

division of application No. 29/647,662, filed on May 15, 2018, now Pat. No. Des. 847,762, which is a division of application No. 29/562,570, filed on Apr. 27, 2016, now abandoned.

(30) **Foreign Application Priority Data**

Nov. 27, 2015 (JP) 2015-026513
 Nov. 27, 2015 (JP) 2015-026514

(58) **Field of Classification Search**

CPC H01R 4/00; H01R 4/16; H01R 43/04
 See application file for complete search history.

(56) **References Cited**

U.S. PATENT DOCUMENTS

6,500,012 B1 * 12/2002 Billenstein H05K 9/0016
 174/359
 7,078,614 B1 7/2006 Van Haaster
 7,170,013 B2 * 1/2007 Lewis H05K 9/0016
 174/354
 D555,595 S 11/2007 Yahagi et al.
 D556,692 S 12/2007 Yahagi et al.
 D589,903 S * 4/2009 Duan D13/149
 D624,025 S * 9/2010 Luo D13/154
 D651,178 S 12/2011 Fujikata et al.
 D669,439 S 10/2012 Fujikata et al.
 D706,224 S 6/2014 Kimura et al.
 D717,736 S 11/2014 Kimura et al.

D719,101 S 12/2014 Kimura et al.
 8,915,760 B2 * 12/2014 Kurita H05K 9/0035
 439/863
 8,933,346 B1 1/2015 Kramer et al.
 D725,600 S 3/2015 Fujikata et al.
 D742,329 S 11/2015 Fujikata et al.
 D758,973 S 6/2016 Fujikata et al.
 D797,674 S 9/2017 Miyamoto
 D803,165 S * 11/2017 Noble D13/155
 D825,485 S 8/2018 Wright
 D825,629 S 8/2018 Miyamoto
 D832,220 S * 10/2018 Sadik D13/154
 D845,907 S * 4/2019 Suzuki D13/154
 D847,762 S * 5/2019 Miyamoto D13/154
 10,349,567 B2 * 7/2019 Allenberg H05K 5/0247
 D867,300 S * 11/2019 Huang D13/147
 2006/0180347 A1 8/2006 Van Haaster
 2008/0011510 A1 1/2008 Tang et al.
 2008/0047745 A1 2/2008 Smeltz et al.
 2008/0060842 A1 3/2008 Barringer et al.

OTHER PUBLICATIONS

“Fourslide Parts”. Found online Jul. 20, 2020 at fourslide.com. Reference dated Apr. 17, 2013. Retrieved from <https://web.archive.org/web/20130417114142/https://www.fourslide.com/fourslide-parts/>. (Year: 2013).*

“Fotofab Electrical Contacts”. Found online Jul. 20, 2020 at fotofab.com. Reference dated Dec. 18, 2018. Retrieved from <https://web.archive.org/web/20181218021506/https://www.fotofab.com/electrical-contacts/>. (Year: 2018).*

* cited by examiner

FIG. 1

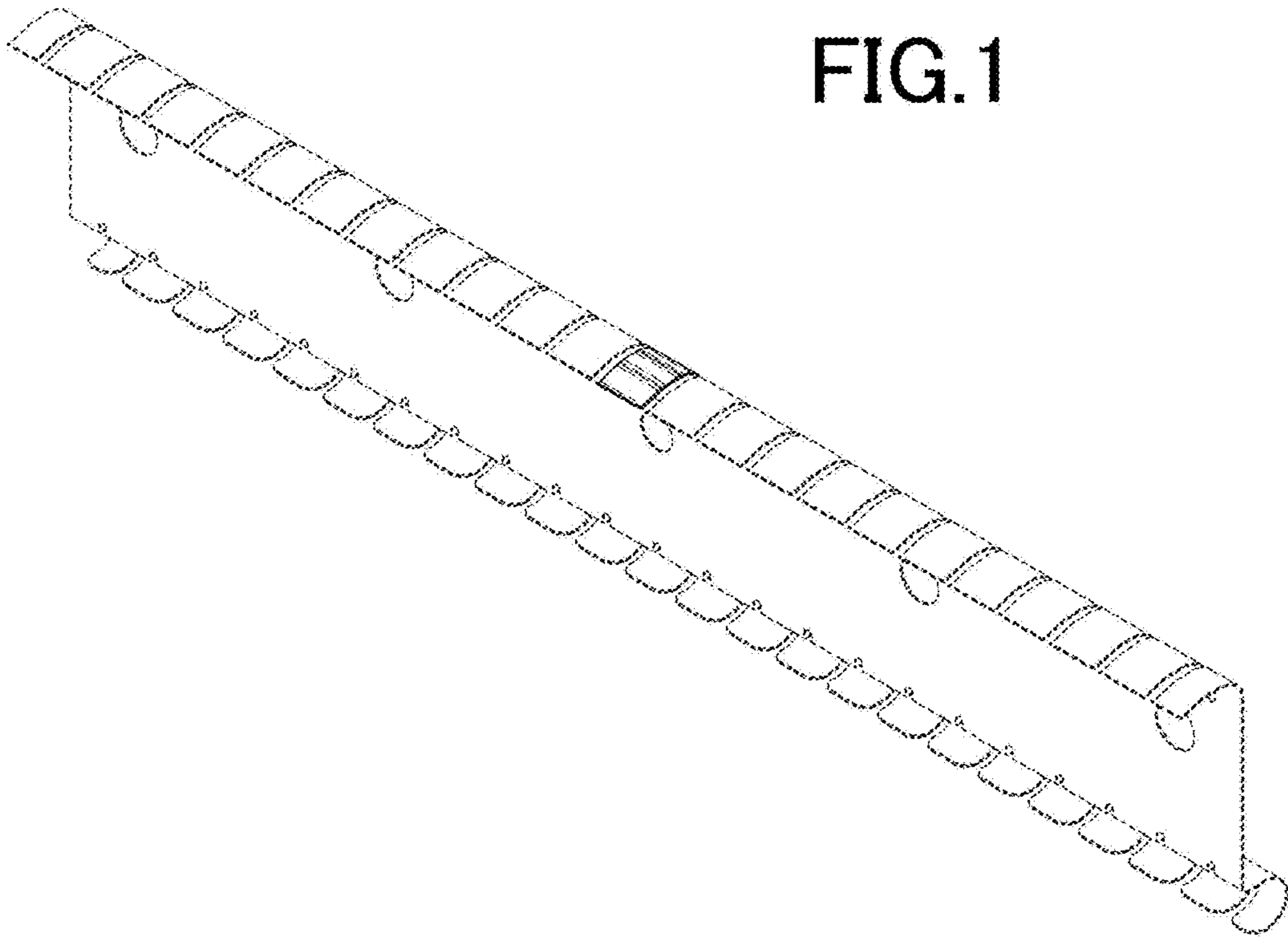


FIG. 2

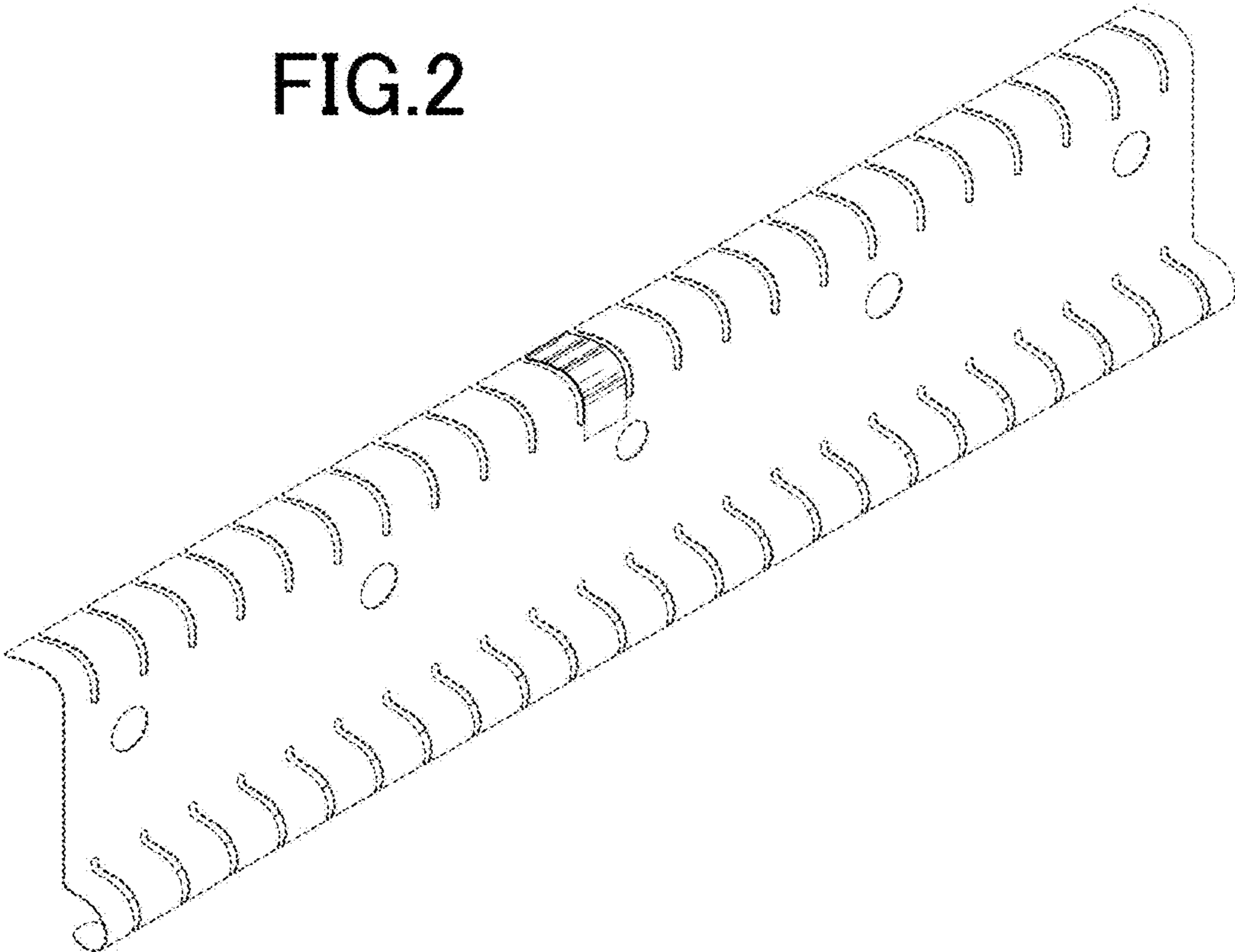


FIG.3

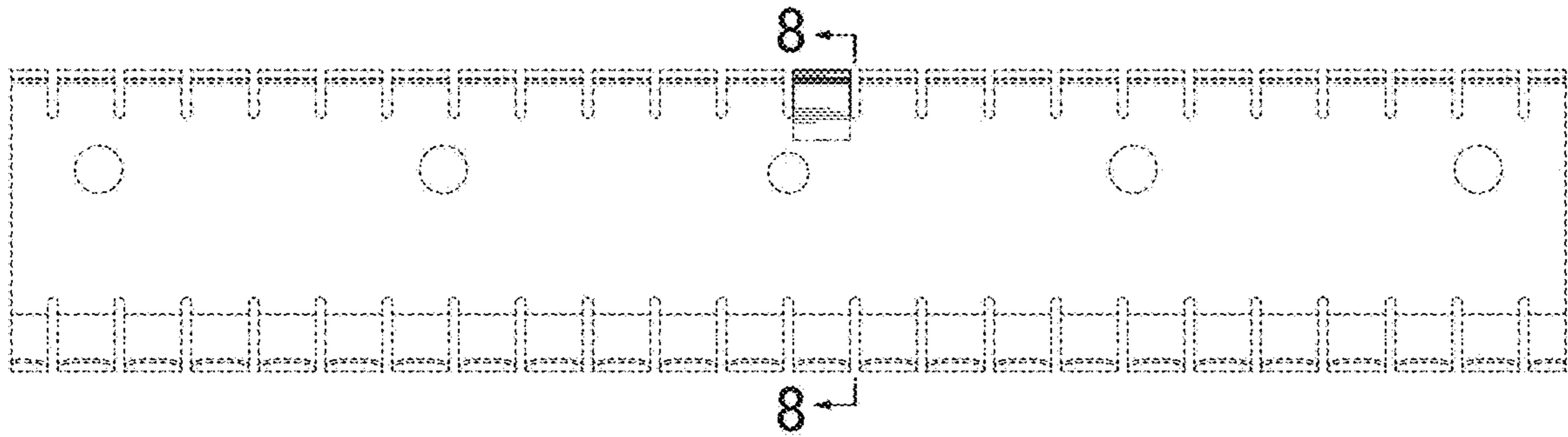


FIG.4

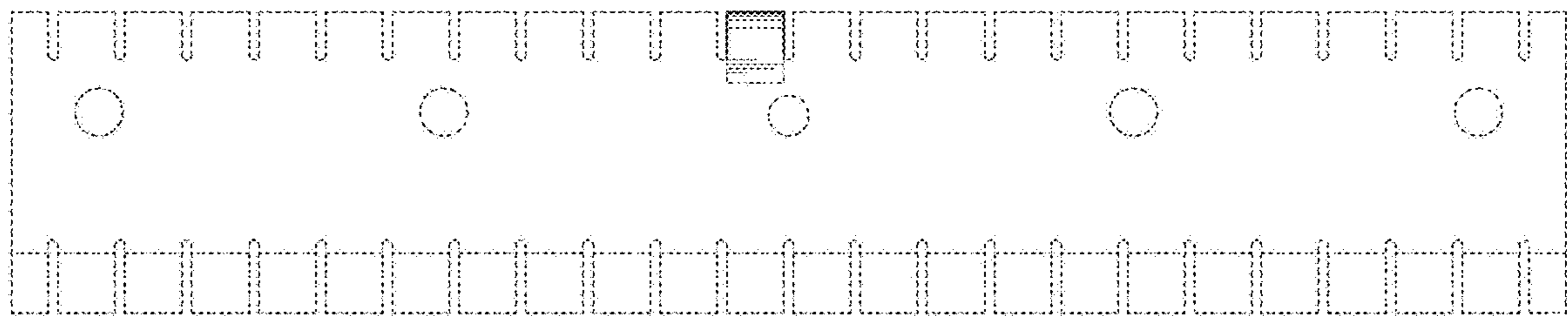


FIG.5

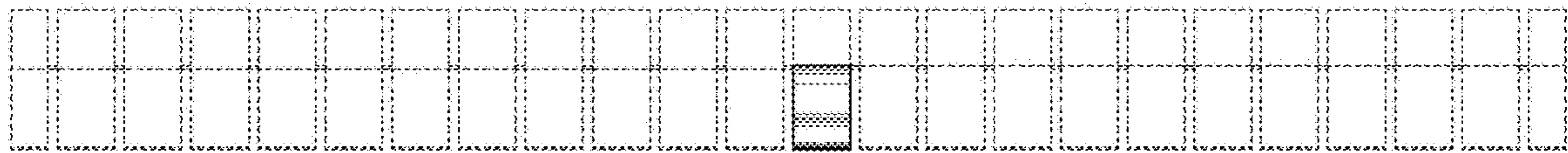


FIG.6

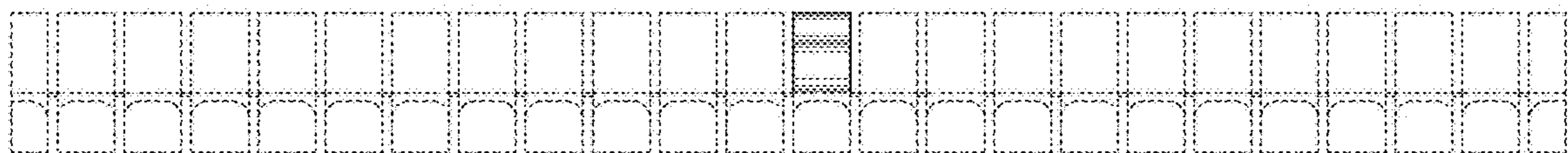


FIG.7

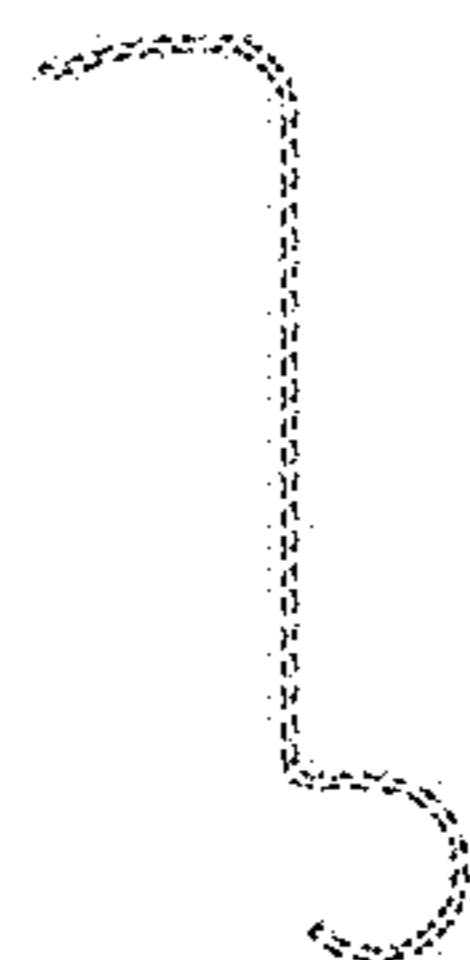


FIG.8

