



US00D908638S

(12) **United States Design Patent**  
**Jung et al.**

(10) **Patent No.:** **US D908,638 S**  
(45) **Date of Patent:** **\*\* Jan. 26, 2021**

(54) **SIGNAL TRANSMISSION CONNECTOR**

CPC ..... H01M 2/105; G05B 19/414; F16P 3/20;  
H01R 13/622; H01R 4/18; H01R 4/36;  
H01R 13/6395; H01R 12/91; H01R  
24/50; H05K 7/1484; F04B 35/04  
See application file for complete search history.

(71) Applicant: **GigaLane Co., Ltd.**, Hwaseong-si (KR)

(72) Inventors: **Kyung Hun Jung**, Hwaseong-si (KR);  
**Hwa Yoon Song**, Hwaseong-si (KR);  
**Hee Seok Jung**, Hwaseong-si (KR); **Jin**  
**Uk Lee**, Hwaseong-si (KR); **Chang**  
**Hyun Yang**, Hwaseong-si (KR); **Sun**  
**Hwa Cha**, Hwaseong-si (KR); **Eun**  
**Jung Kim**, Hwaseong-si (KR)

(73) Assignee: **GIGALANE CO., LTD.**, Hwaseong-si  
(KR)

(\*\*) Term: **15 Years**

(21) Appl. No.: **29/744,928**

(22) Filed: **Aug. 1, 2020**

**Related U.S. Application Data**

(62) Division of application No. 35/506,468, filed on Sep.  
19, 2018 (U.S. filing date under 35 U.S.C. 384), and  
having an international filing date of Sep. 19, 2018.

**Foreign Application Priority Data**

Mar. 27, 2018 (KR) ..... 30-2018-0014367  
Mar. 27, 2018 (KR) ..... 30-2018-0014368  
Mar. 27, 2018 (KR) ..... 30-2018-0014369  
Mar. 27, 2018 (KR) ..... 30-2018-0014370  
Mar. 27, 2018 (KR) ..... 30-2018-0014371

(51) **LOC (13) Cl.** ..... **13-03**

(52) **U.S. Cl.**  
USPC ..... **D13/151**

(58) **Field of Classification Search**  
USPC ..... D13/151, 124, 155, 161, 120, 147, 173,  
D13/133, 136, 101, 122, 149, 153, 118,  
D13/146, 110; D21/487; D8/397;  
D23/393, 262

(56) **References Cited**

**U.S. PATENT DOCUMENTS**

5,367,158 A \* 11/1994 Herman ..... F16P 3/20  
250/221  
5,493,194 A \* 2/1996 Damiano ..... H05K 7/1484  
318/575  
5,635,814 A \* 6/1997 Afzal ..... H01M 2/105  
320/111  
D412,700 S \* 8/1999 Gardner ..... D13/147  
D433,664 S \* 11/2000 Arai ..... D13/146  
D593,947 S \* 6/2009 Wang ..... D13/133  
7,540,771 B2 \* 6/2009 Lee ..... H01R 24/50  
439/581  
D721,333 S \* 1/2015 Leis ..... H01R 4/18  
D13/148

(Continued)

*Primary Examiner* — Rhea Shields

(74) *Attorney, Agent, or Firm* — Syncoda LLC; Feng Ma

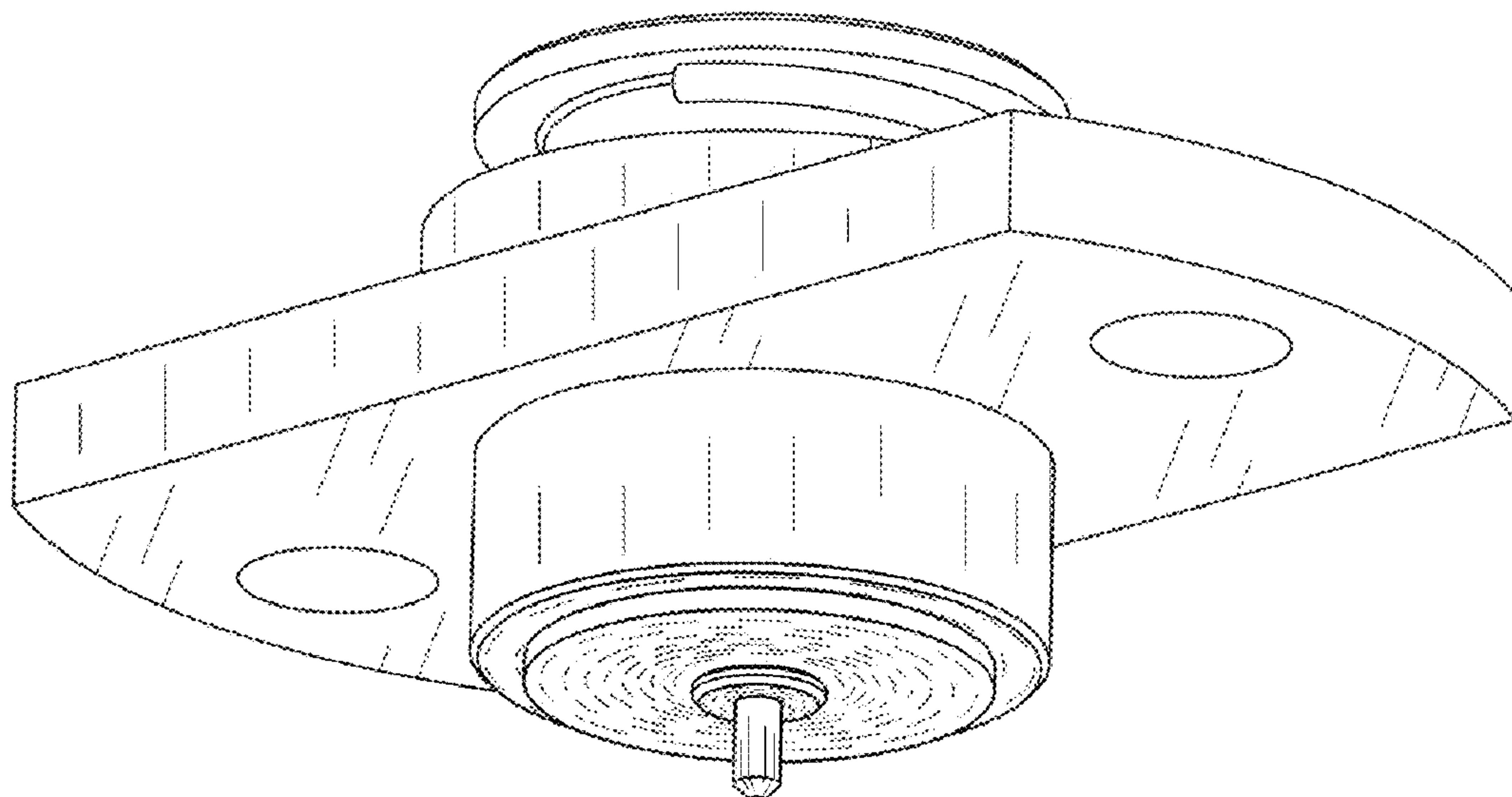
(57) **CLAIM**

The ornamental design for a signal transmission connector,  
as shown.

**DESCRIPTION**

FIG. 1 is a top perspective view of a signal transmission  
connector;  
FIG. 2 is a front view thereof;  
FIG. 3 is a rear view thereof;  
FIG. 4 is a left view thereof;  
FIG. 5 is a right view thereof;  
FIG. 6 is a top view thereof;  
FIG. 7 is a bottom view thereof; and,  
FIG. 8 is a bottom perspective view thereof.

**1 Claim, 8 Drawing Sheets**



(56)

**References Cited**

## U.S. PATENT DOCUMENTS

D724,936 S \* 3/2015 Coronado ..... D8/397  
9,147,967 B2 \* 9/2015 Johnson ..... H01R 4/36  
9,209,566 B2 \* 12/2015 Lee ..... H01R 13/6395  
D753,060 S \* 4/2016 Miller ..... D13/110  
D780,123 S \* 2/2017 Zetterqvist ..... D13/146  
D790,044 S \* 6/2017 Li ..... D23/262  
D790,053 S \* 6/2017 Querrey ..... D23/393  
D796,451 S \* 9/2017 Huang ..... D13/153  
D800,065 S \* 10/2017 Sasaki ..... D13/133  
D802,531 S \* 11/2017 Liao ..... D13/122  
D824,862 S \* 8/2018 Corona ..... D13/149  
D826,155 S \* 8/2018 Baiz ..... D13/122  
D831,565 S \* 10/2018 Mittleman ..... D13/101  
D838,248 S \* 1/2019 Youtsey ..... D13/151  
D838,670 S \* 1/2019 Krugman ..... D13/136  
D839,194 S \* 1/2019 Wardenburg ..... D13/133  
D840,956 S \* 2/2019 Wiese ..... D13/173  
10,276,949 B2 \* 4/2019 Lee ..... H01R 12/91  
D848,370 S \* 5/2019 Lee ..... D13/133  
D853,969 S \* 7/2019 Huang ..... D13/147  
D855,707 S \* 8/2019 Ross ..... D21/487  
D856,285 S \* 8/2019 Szymura ..... D13/147  
D860,139 S \* 9/2019 Torres ..... D13/151  
D861,607 S \* 10/2019 Matthews ..... D13/120  
D862,397 S \* 10/2019 Sakai ..... D13/161  
D864,123 S \* 10/2019 Swanson ..... D13/155  
D865,672 S \* 11/2019 Wang ..... D13/124  
2012/0070322 A1 \* 3/2012 Cho ..... F04B 35/04  
417/410.1  
2019/0305457 A1 \* 10/2019 Song ..... H01R 12/91

\* cited by examiner

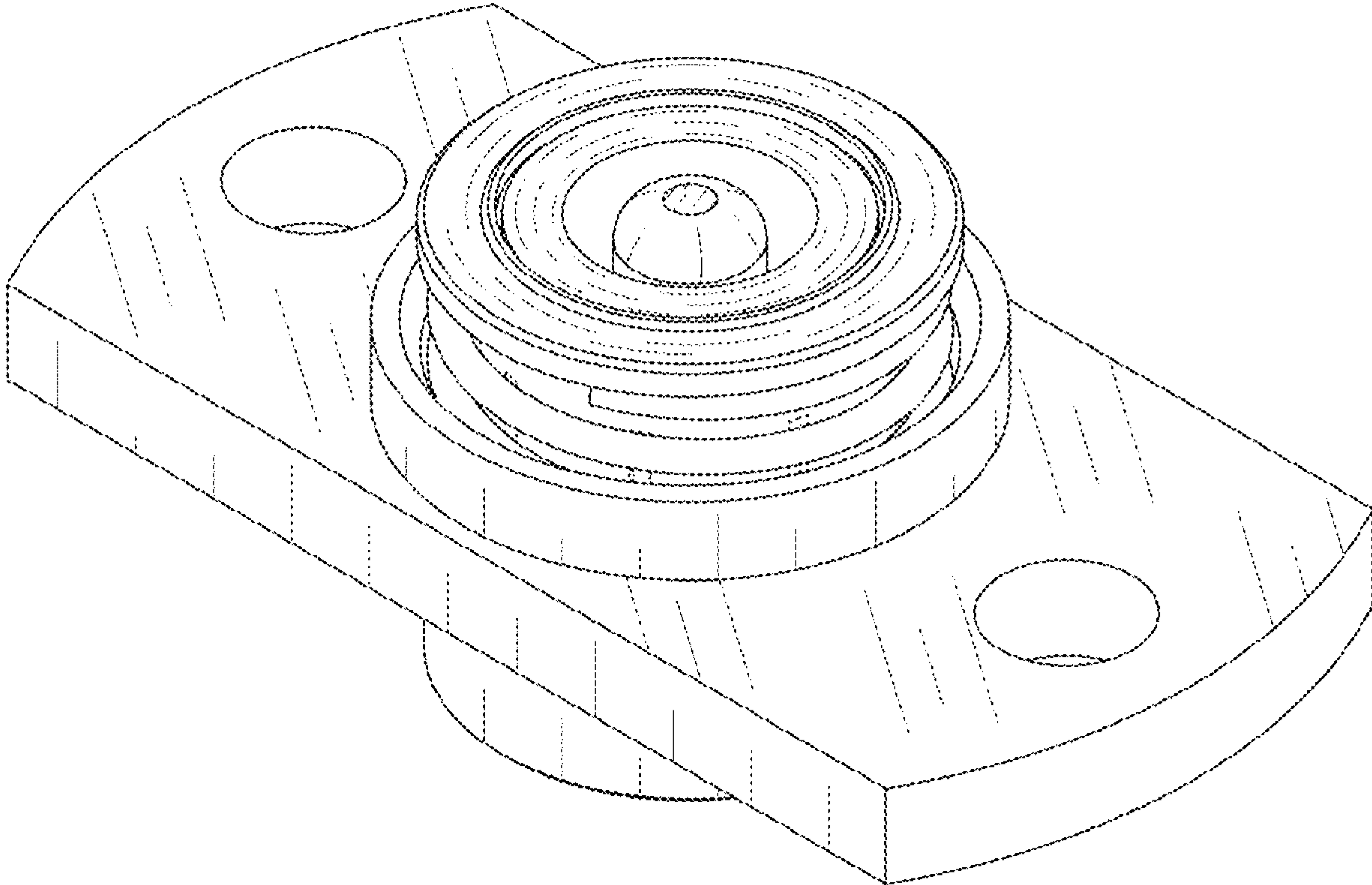


FIG. 1

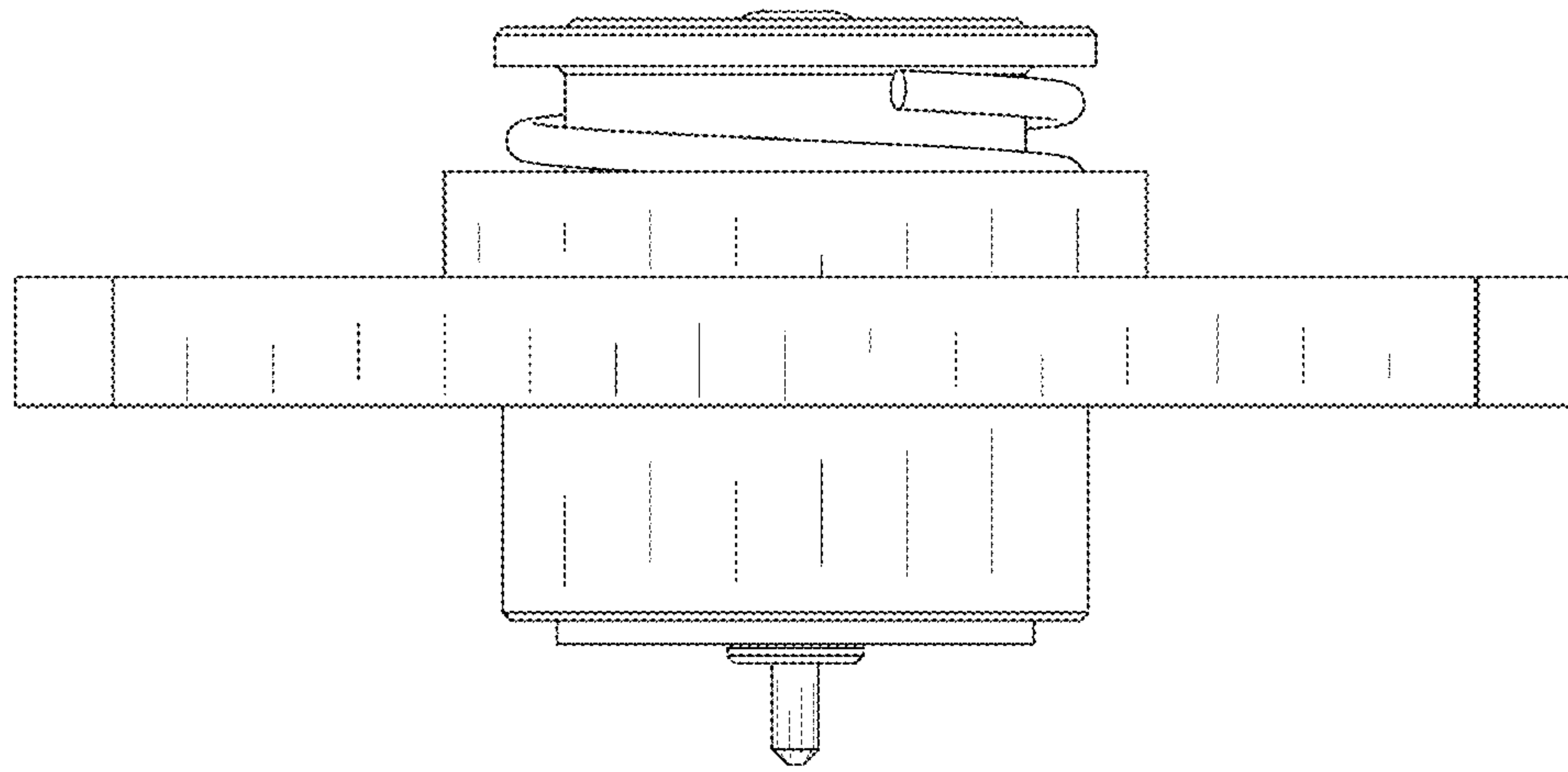


FIG. 2

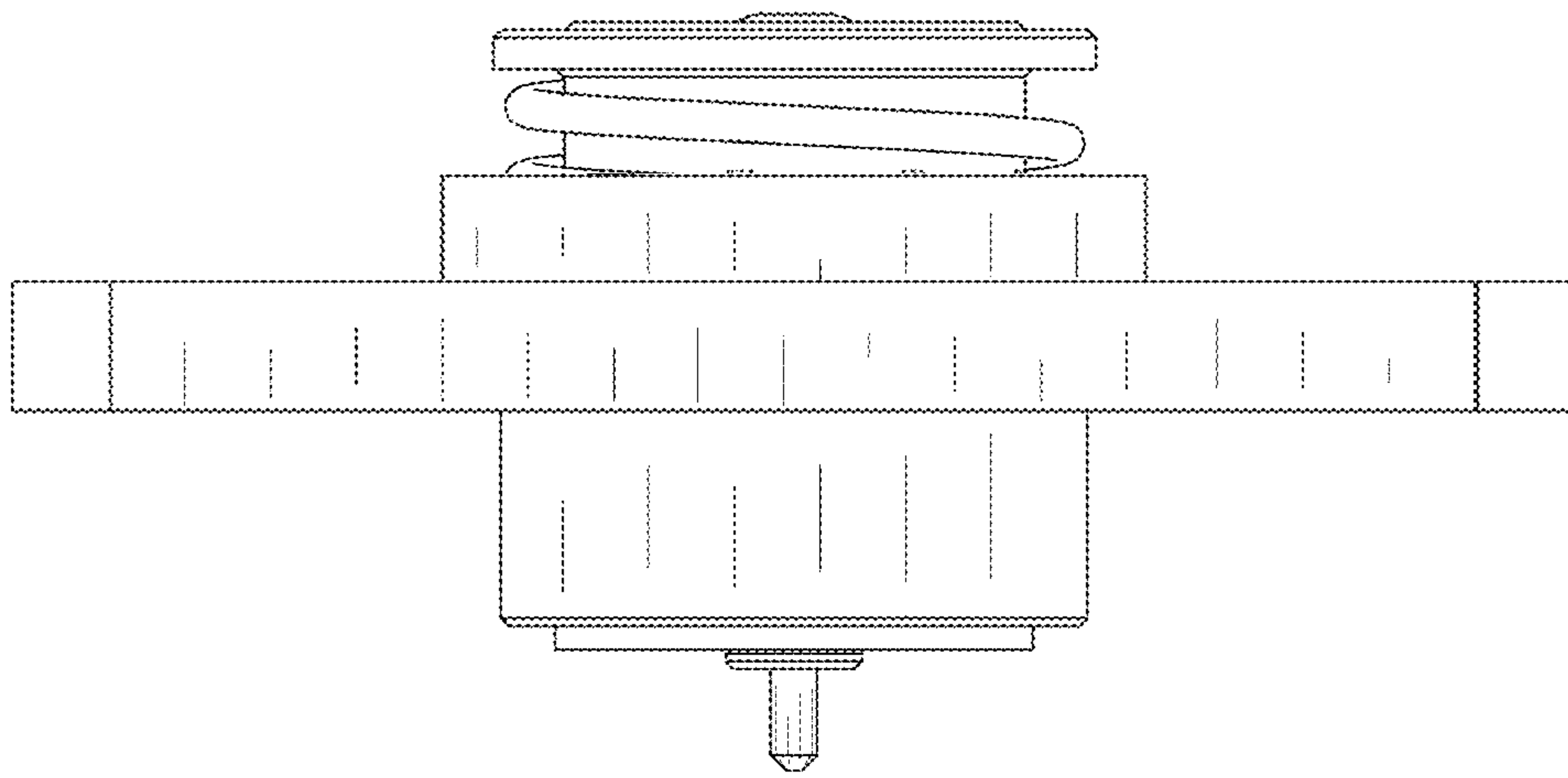


FIG. 3

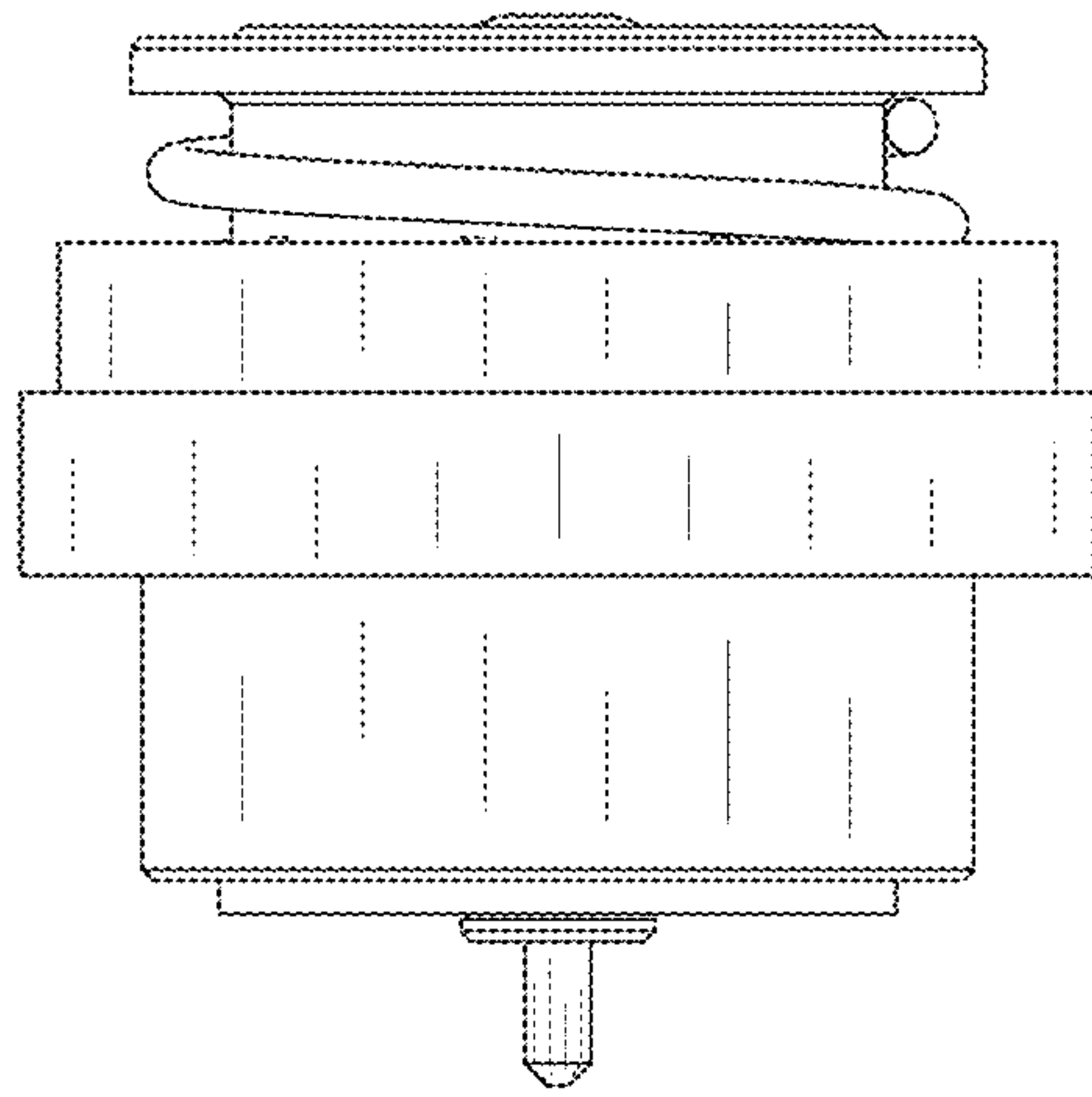


FIG. 4

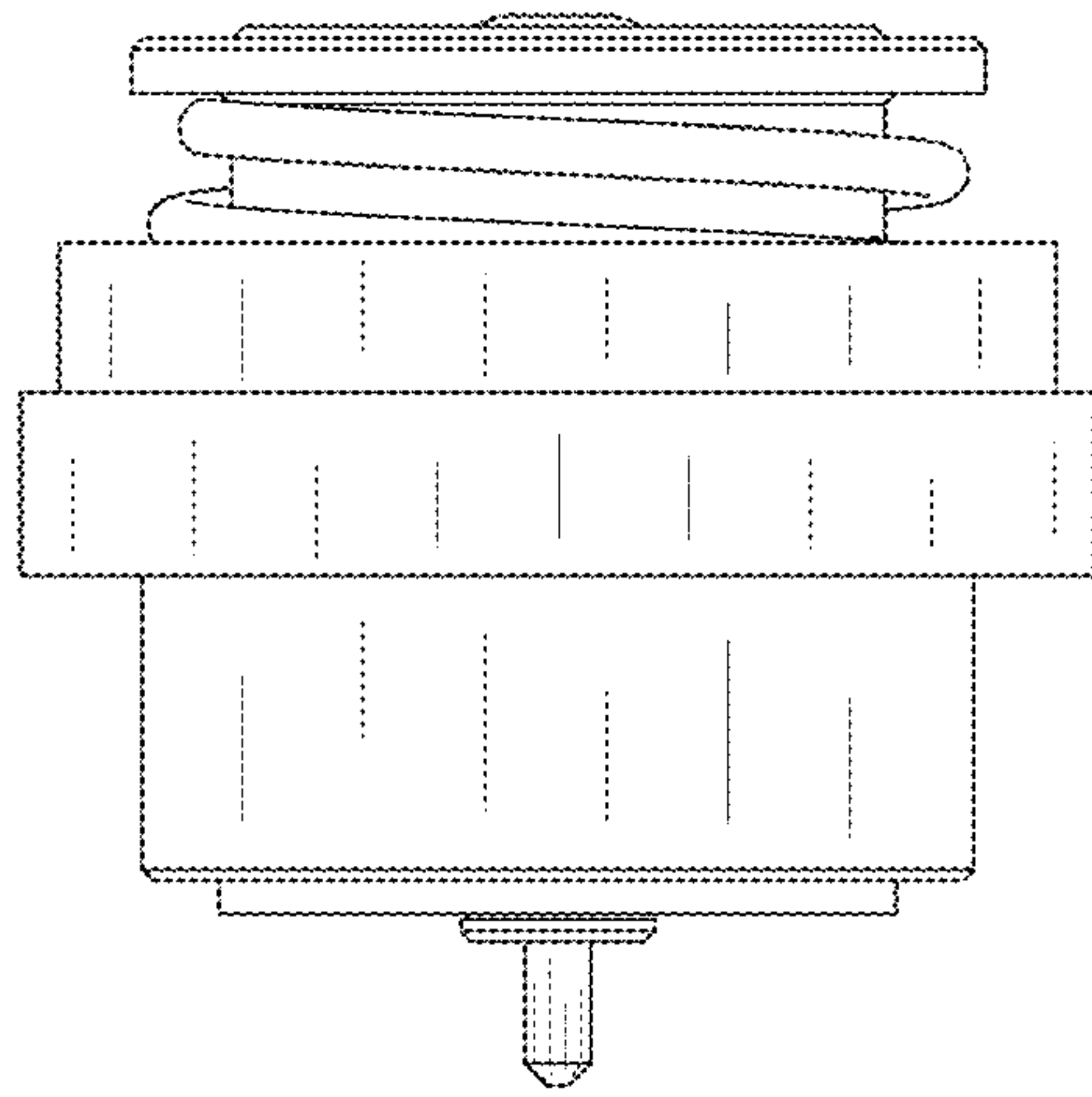


FIG. 5



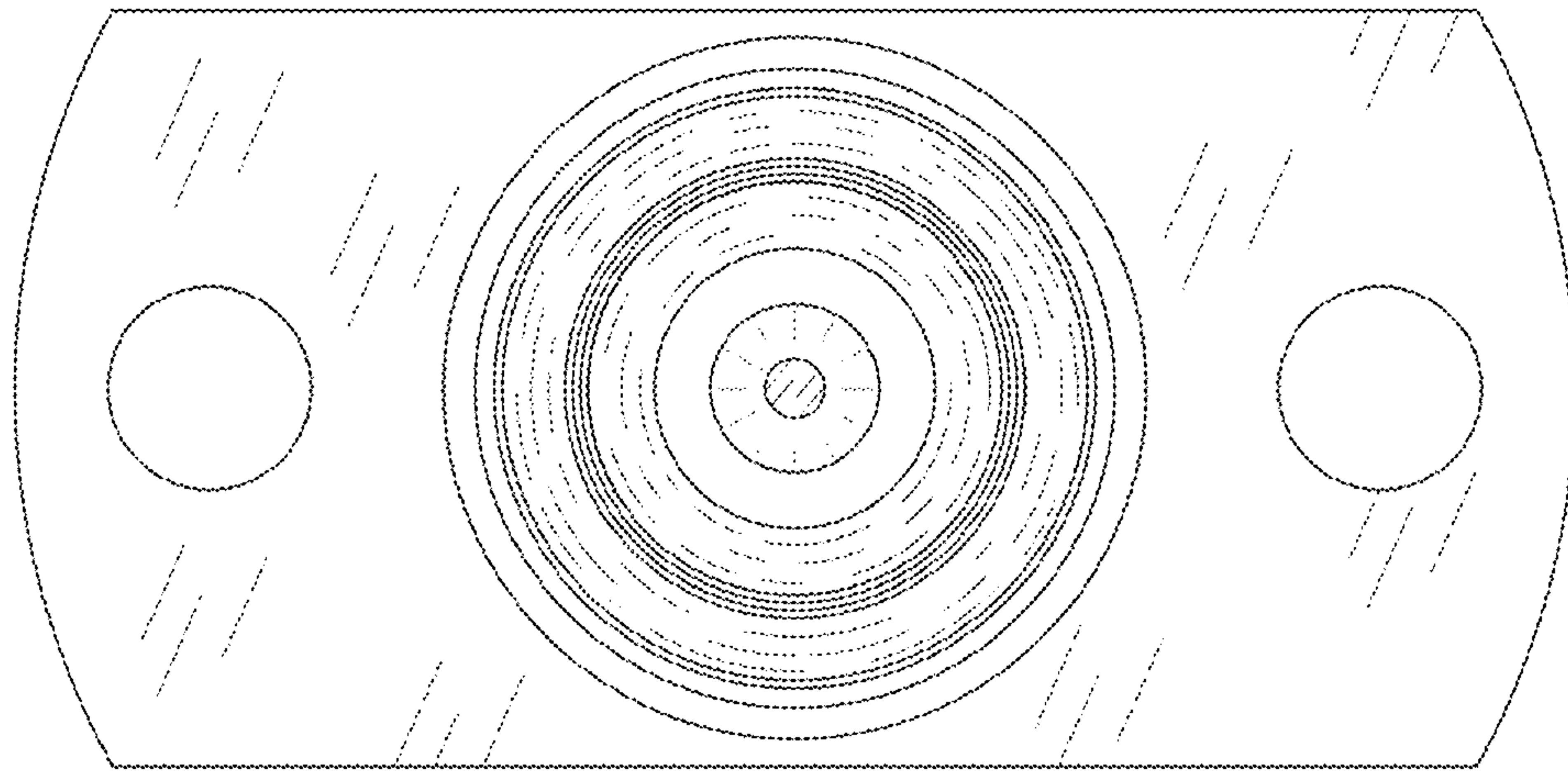


FIG. 6



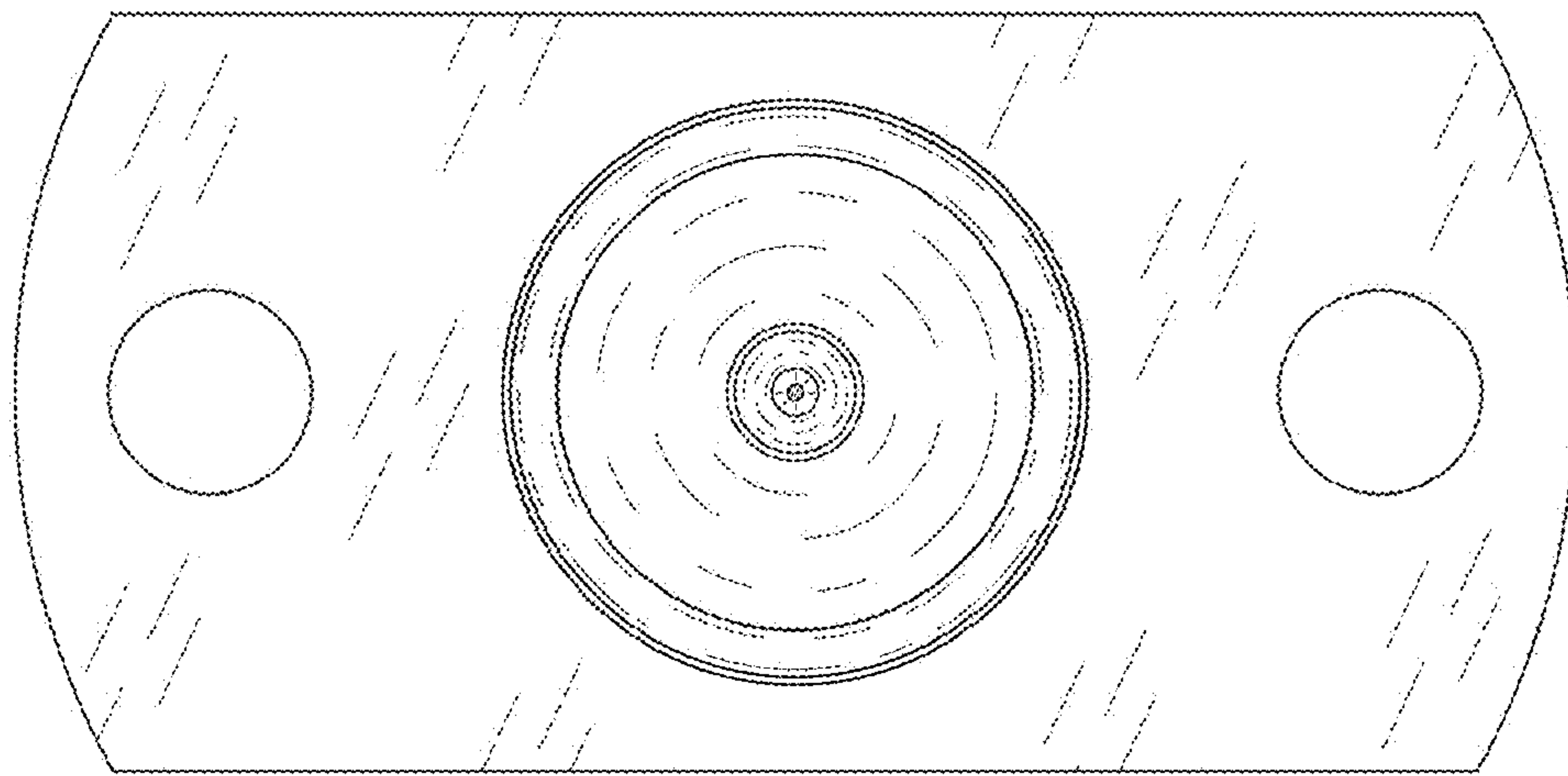


FIG. 7

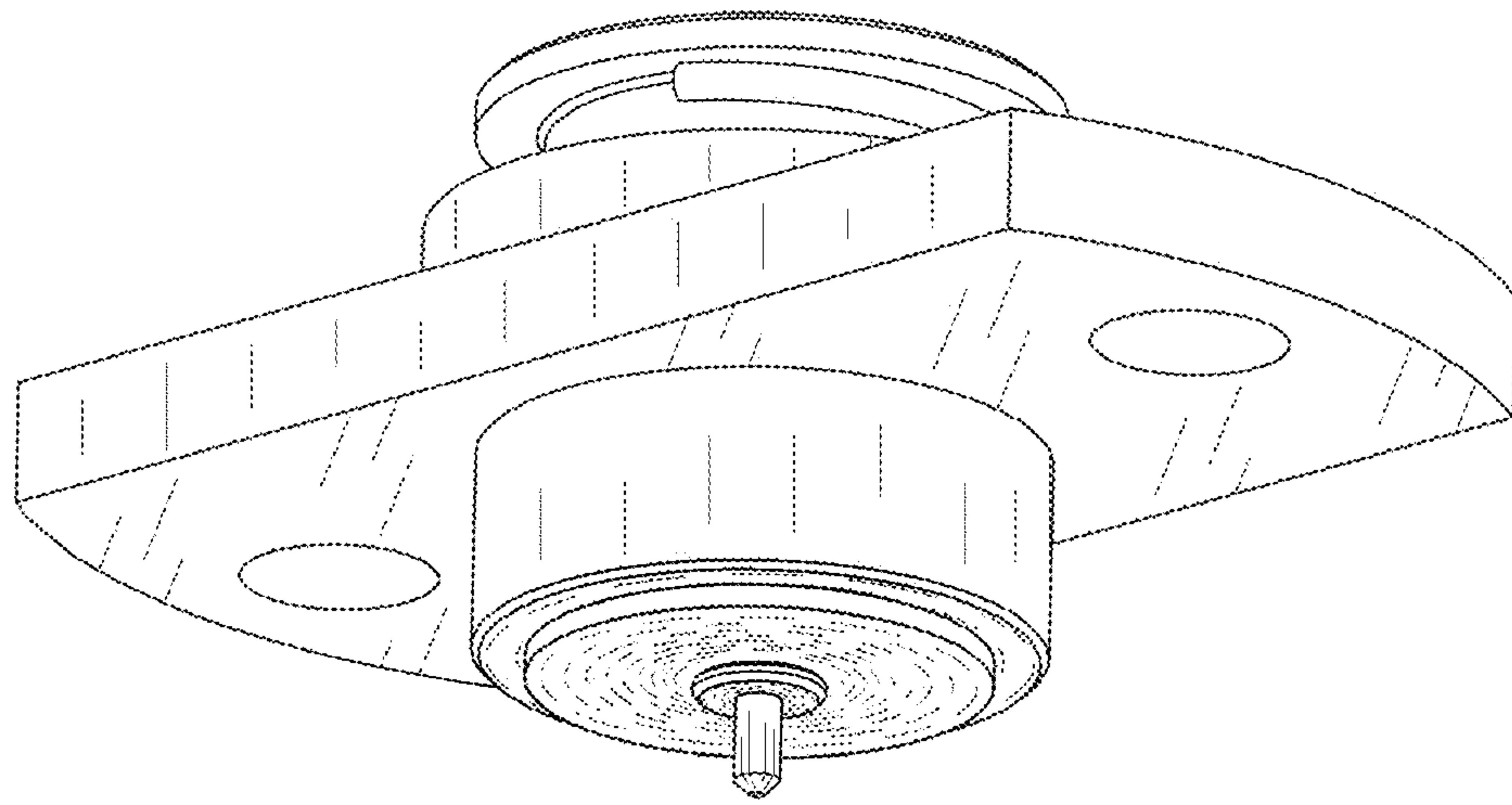


FIG. 8