



US00D908637S

(12) **United States Design Patent**
Jung et al.

(10) **Patent No.:** **US D908,637 S**
(45) **Date of Patent:** **** Jan. 26, 2021**

(54) **SIGNAL TRANSMISSION CONNECTOR**

CPC H01M 2/105; G05B 19/414; F16P 3/20;
H01R 13/622

(71) Applicant: **GigaLane Co., Ltd.**, Hwaseong-si (KR)

See application file for complete search history.

(72) Inventors: **Kyung Hun Jung**, Hwaseong-si (KR);
Hwa Yoon Song, Hwaseong-si (KR);
Hee Seok Jung, Hwaseong-si (KR); **Jin Uk Lee**, Hwaseong-si (KR); **Chang Hyun Yang**, Hwaseong-si (KR); **Sun Hwa Cha**, Hwaseong-si (KR); **Eun Jung Kim**, Hwaseong-si (KR)

(56) **References Cited**

U.S. PATENT DOCUMENTS

5,367,158 A * 11/1994 Herman F16P 3/20
250/221
5,493,194 A * 2/1996 Damiano H05K 7/1484
318/575
5,635,814 A * 6/1997 Afzal H01M 2/105
320/111
D412,700 S * 8/1999 Gardner D13/147
D433,664 S * 11/2000 Arai D13/146
D593,947 S * 6/2009 Wang D13/133
7,540,771 B2 * 6/2009 Lee H01R 24/50
439/581
D721,333 S * 1/2015 Leis H01R 4/18
D13/148
D724,936 S * 3/2015 Coronado D8/397
9,147,967 B2 * 9/2015 Johnson H01R 4/36

(Continued)

(73) Assignee: **GIGALANE CO., LTD.**, Hwaseong-si (KR)

(**) Term: **15 Years**

(21) Appl. No.: **29/744,917**

(22) Filed: **Jul. 31, 2020**

Related U.S. Application Data

(62) Division of application No. 35/506,468, filed on Sep. 19, 2018 (U.S. filing date under 35 U.S.C. 384), and having an international filing date of Sep. 19, 2018.

Primary Examiner — Rhea Shields

(74) *Attorney, Agent, or Firm* — Syncoda LLC; Feng Ma

(30) **Foreign Application Priority Data**

Mar. 27, 2018	(KR)	30-2018-0014367
Mar. 27, 2018	(KR)	30-2018-0014368
Mar. 27, 2018	(KR)	30-2018-0014369
Mar. 27, 2018	(KR)	30-2018-0014370
Mar. 27, 2018	(KR)	30-2018-0014371

(57) **CLAIM**

The ornamental design for a signal transmission connector, as shown.

(51) **LOC (13) Cl.** **13-03**

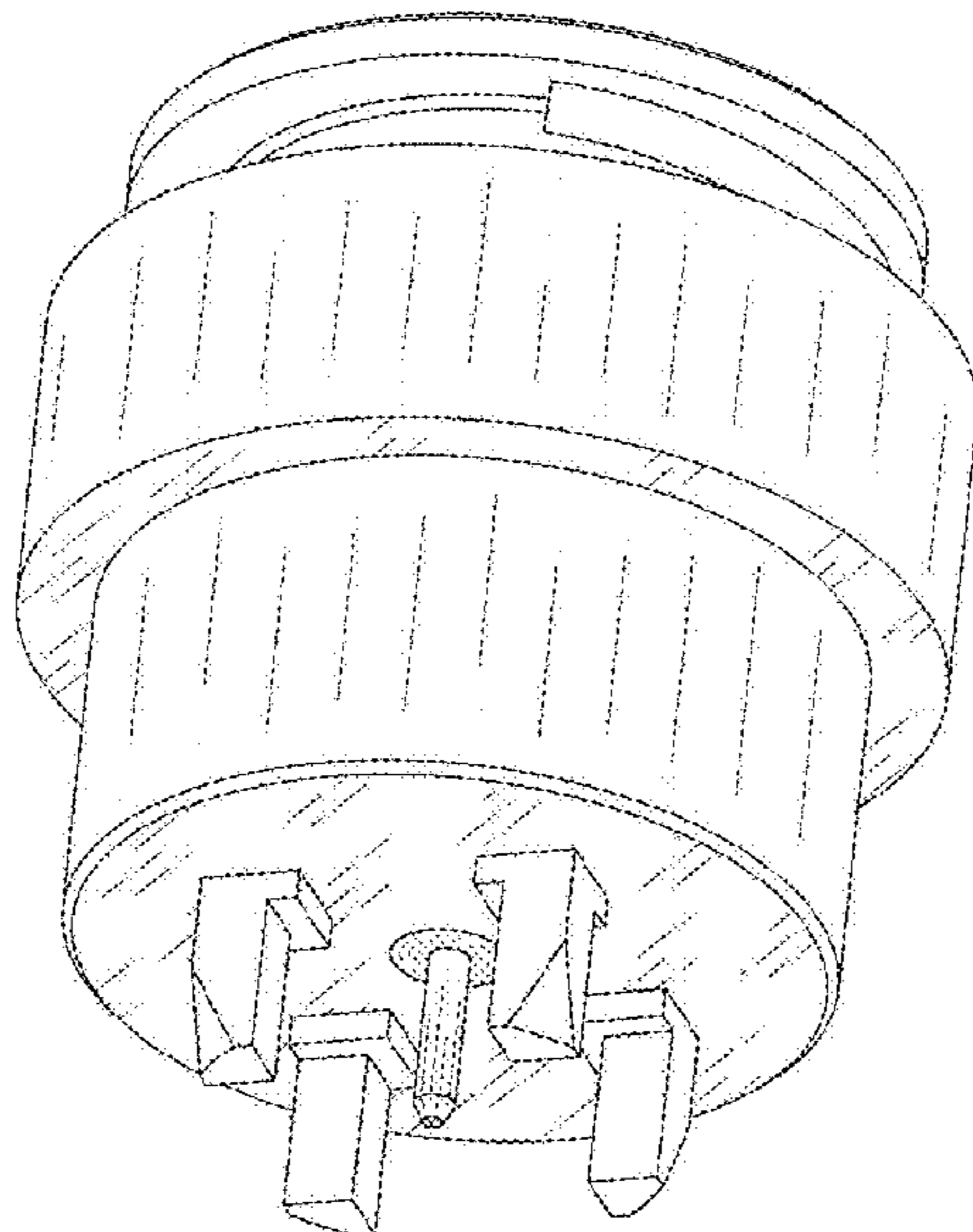
(52) **U.S. Cl.**
USPC **D13/151**

(58) **Field of Classification Search**
USPC D13/151, 124, 155, 161, 120, 147, 173,
D13/133, 136, 101, 122, 149, 153, 118,
D13/146, 110; D21/487; D8/397;
D23/393, 262

DESCRIPTION

FIG. 1 is a top perspective view of a signal transmission connector;
FIG. 2 is a front view thereof;
FIG. 3 is a rear view thereof;
FIG. 4 is a left view thereof;
FIG. 5 is a right view thereof;
FIG. 6 is a top view thereof;
FIG. 7 is a bottom view thereof; and,
FIG. 8 is a bottom perspective view thereof.

1 Claim, 8 Drawing Sheets



(56)

References Cited

U.S. PATENT DOCUMENTS

9,209,566 B2 * 12/2015 Lee H01R 13/6395
D753,060 S * 4/2016 Miller D13/110
D780,123 S * 2/2017 Zetterqvist D13/146
D790,044 S * 6/2017 Li D23/262
D790,053 S * 6/2017 Querrey D23/393
D796,451 S * 9/2017 Huang D13/153
D800,065 S * 10/2017 Sasaki D13/133
D802,531 S * 11/2017 Liao D13/122
D824,862 S * 8/2018 Corona D13/149
D826,155 S * 8/2018 Baiz D13/122
D831,565 S * 10/2018 Mittleman D13/101
D838,248 S * 1/2019 Youtsey D13/151
D838,670 S * 1/2019 Krugman D13/136
D839,194 S * 1/2019 Wardenburg D13/133
D840,956 S * 2/2019 Wiese D13/173
10,276,949 B2 * 4/2019 Lee H01R 12/91
D848,370 S * 5/2019 Lee D13/133
D853,969 S * 7/2019 Huang D13/147
D855,707 S * 8/2019 Ross D21/487
D856,285 S * 8/2019 Szymura D13/147
D860,139 S * 9/2019 Torres D13/151
D861,607 S * 10/2019 Matthews D13/120
D862,397 S * 10/2019 Sakai D13/161
D864,123 S * 10/2019 Swanson D13/155
D865,672 S * 11/2019 Wang D13/124
2012/0070322 A1 * 3/2012 Cho F04B 35/04
417/410.1
2019/0305457 A1 * 10/2019 Song H01R 12/91

* cited by examiner

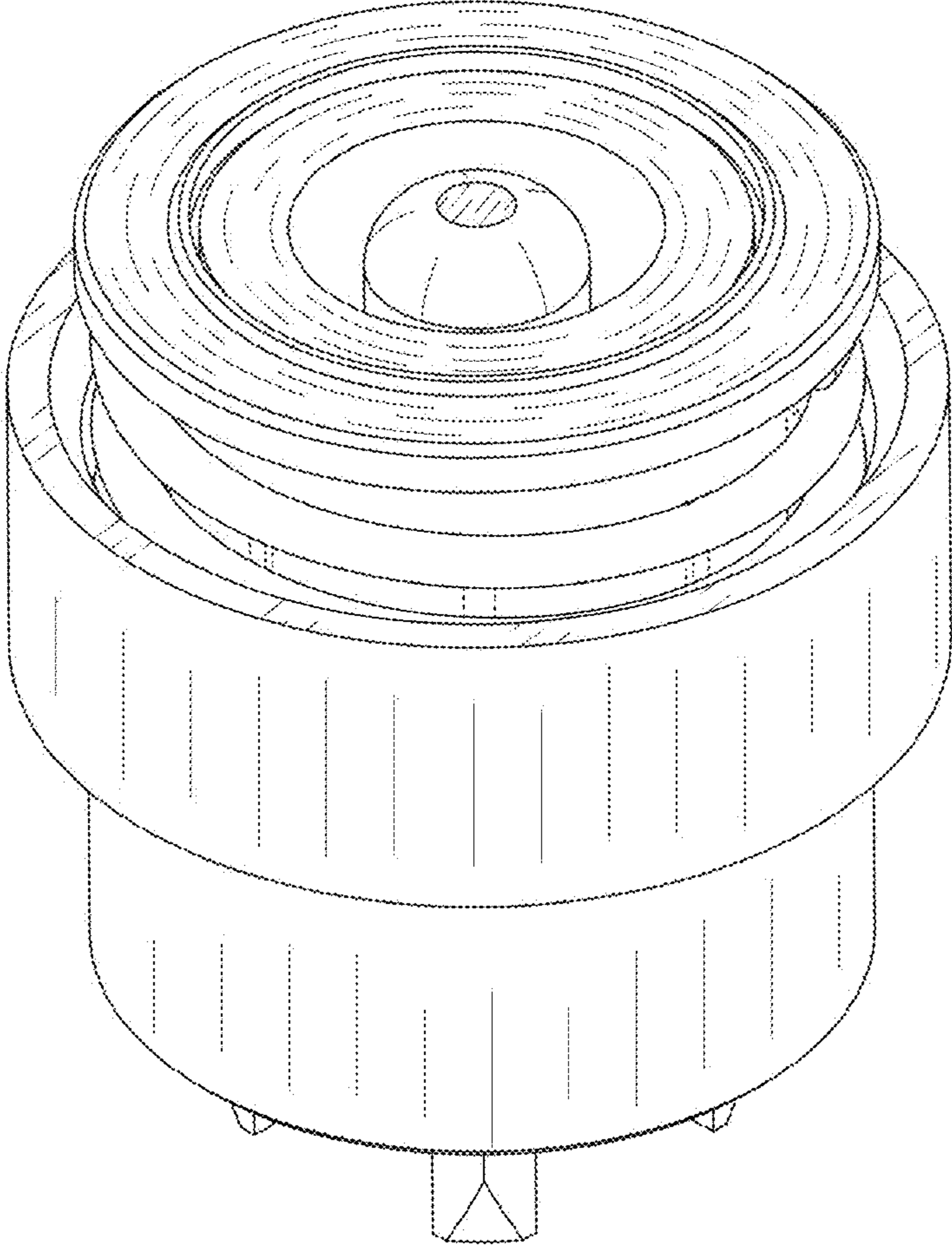


FIG. 1

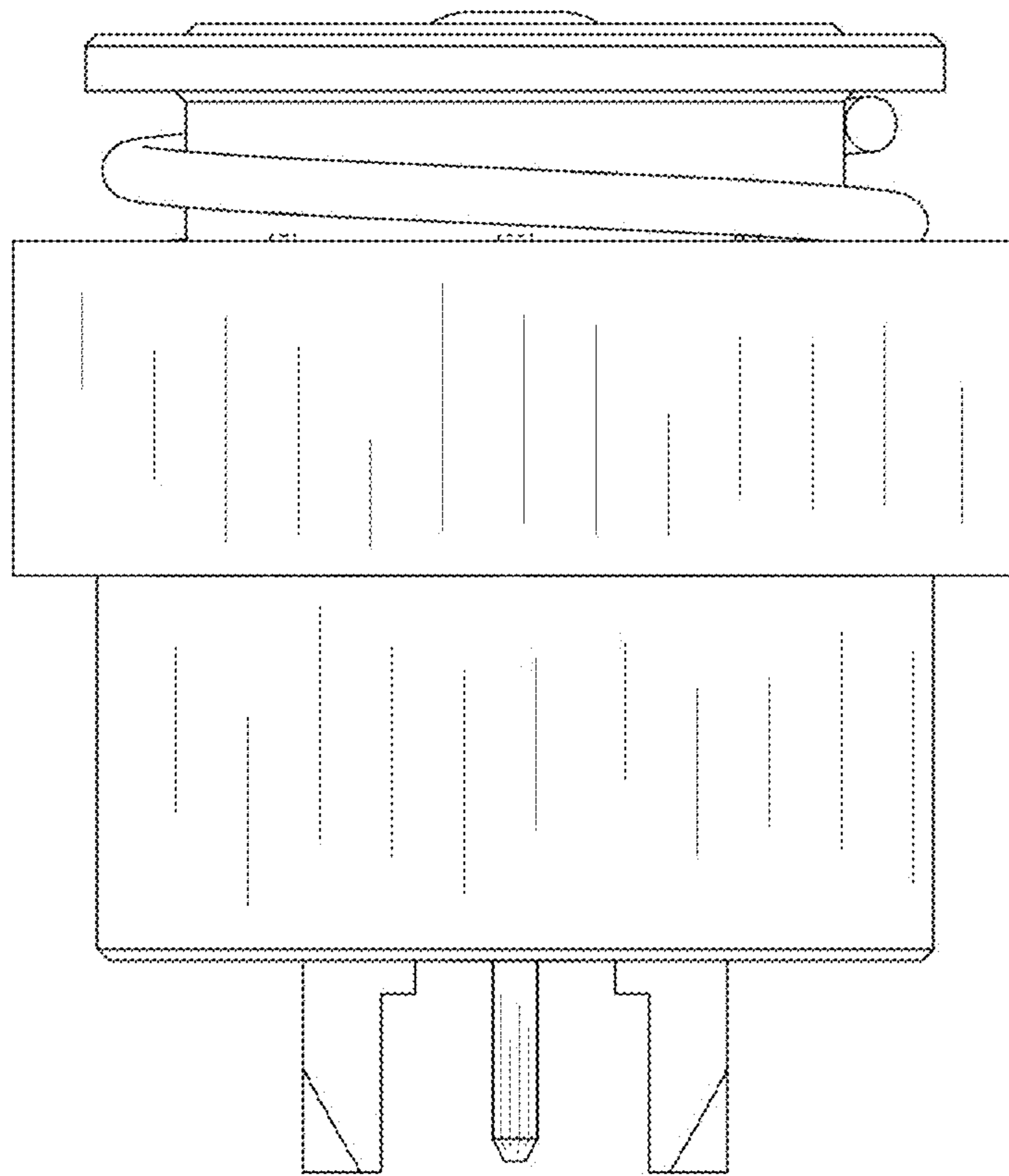


FIG. 2

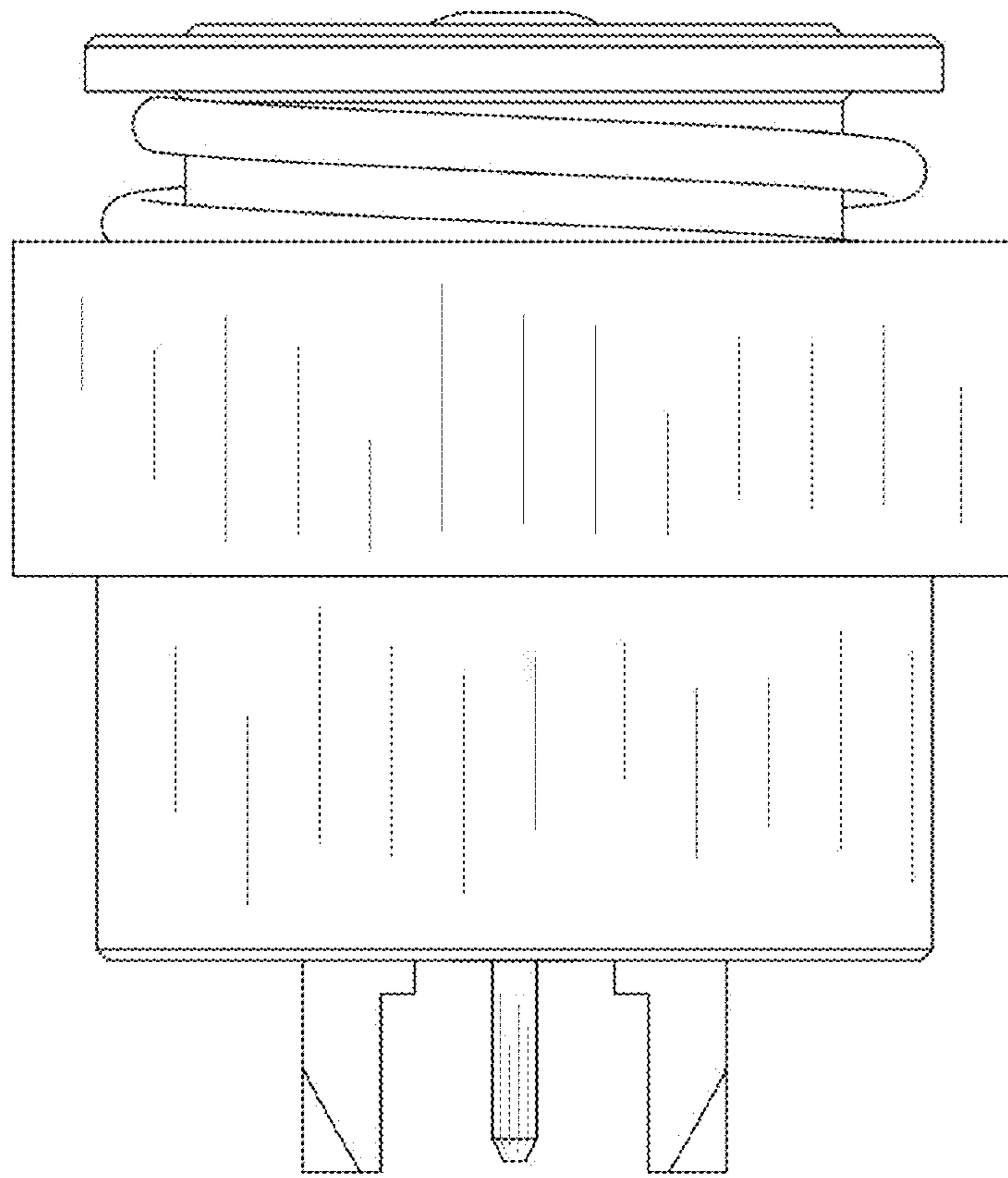


FIG. 3

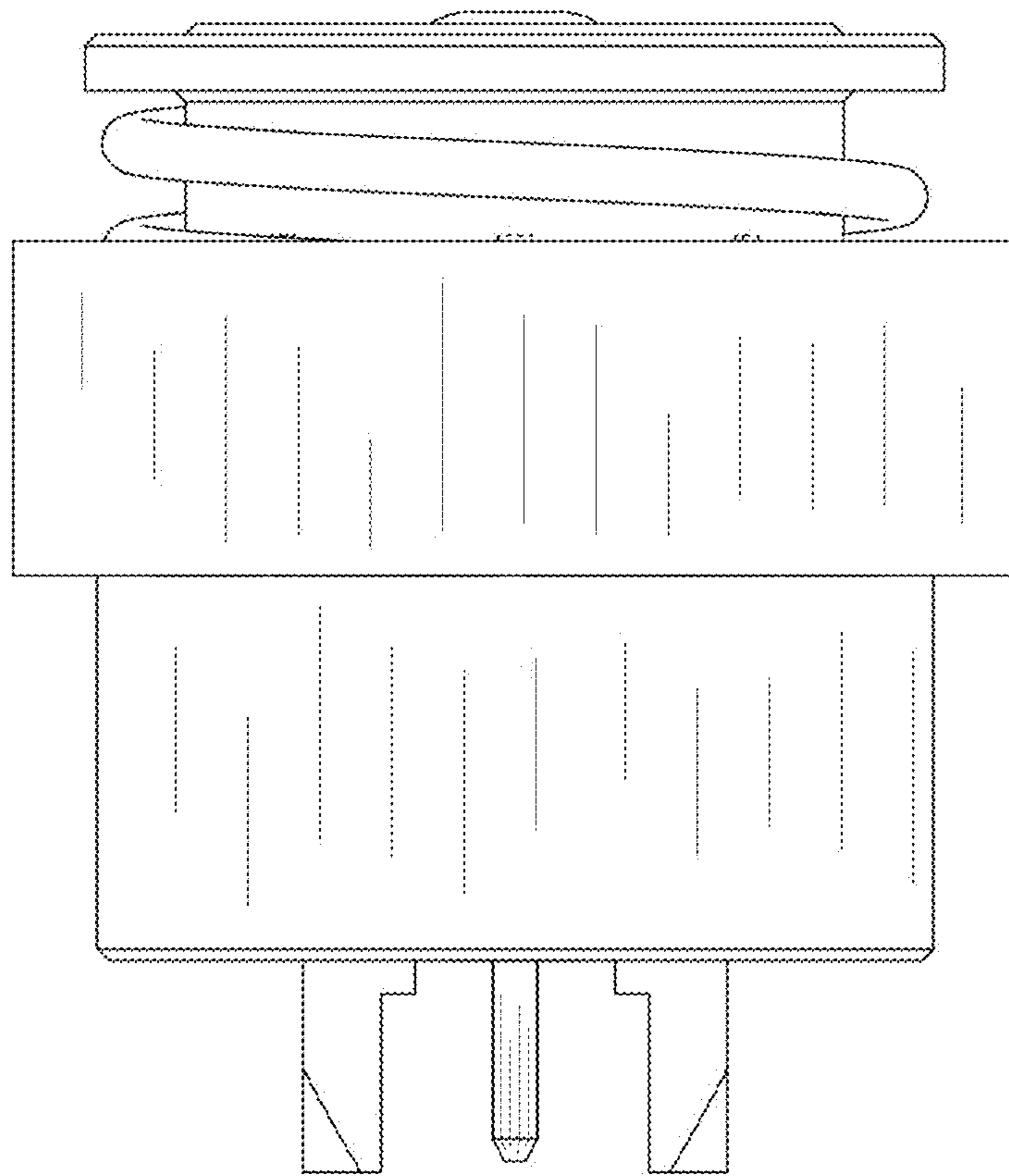


FIG. 4

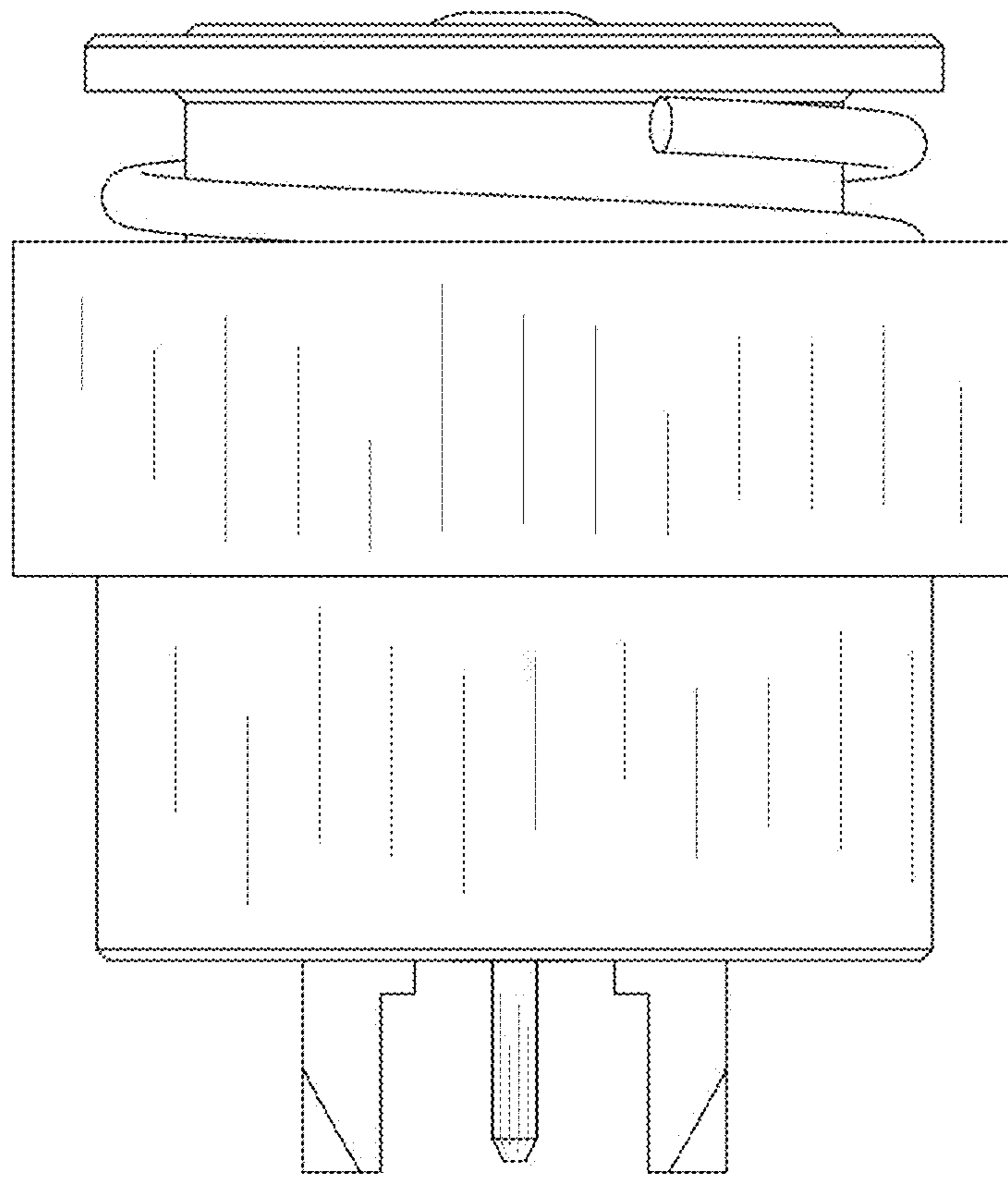


FIG. 5

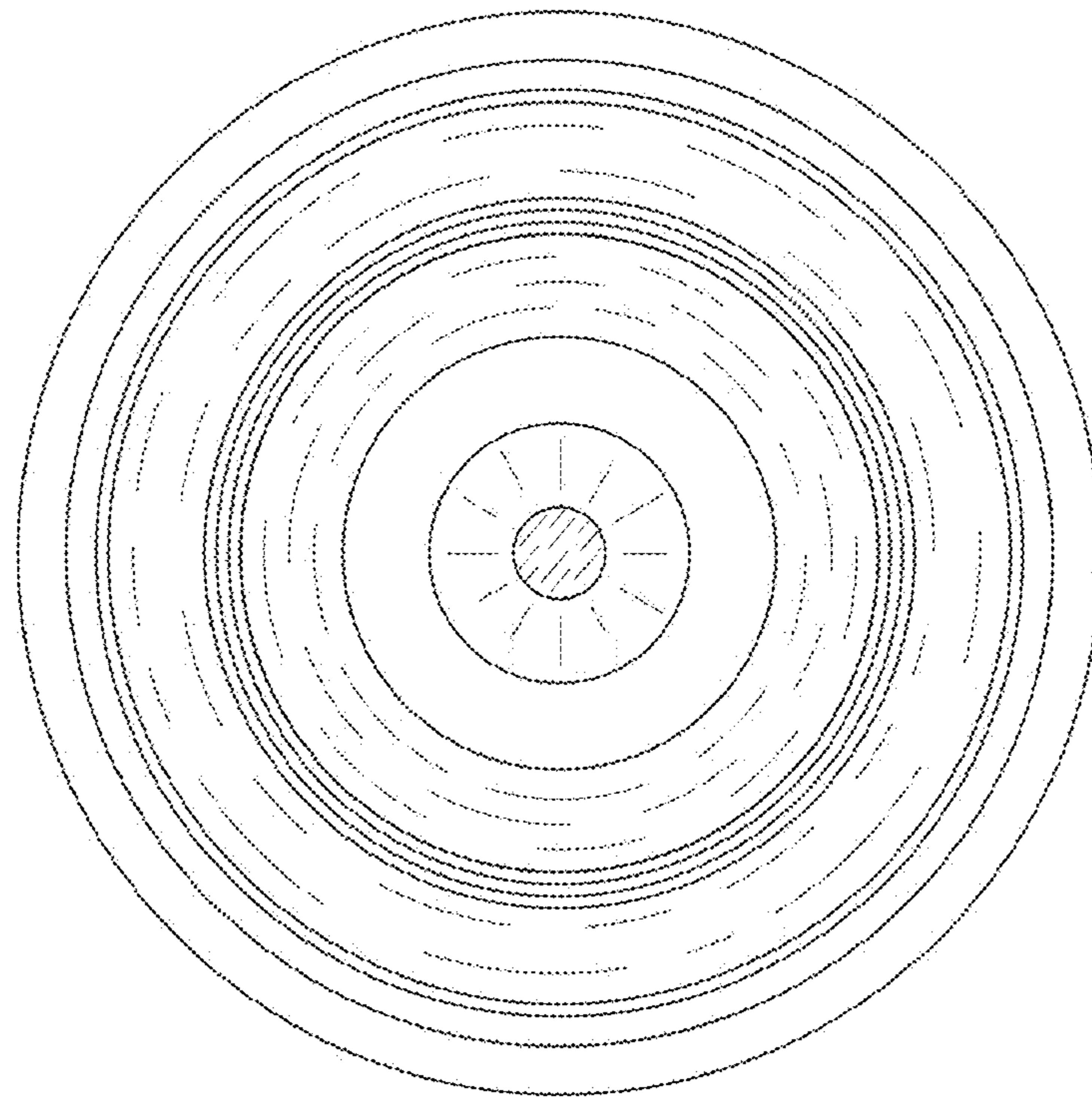


FIG. 6

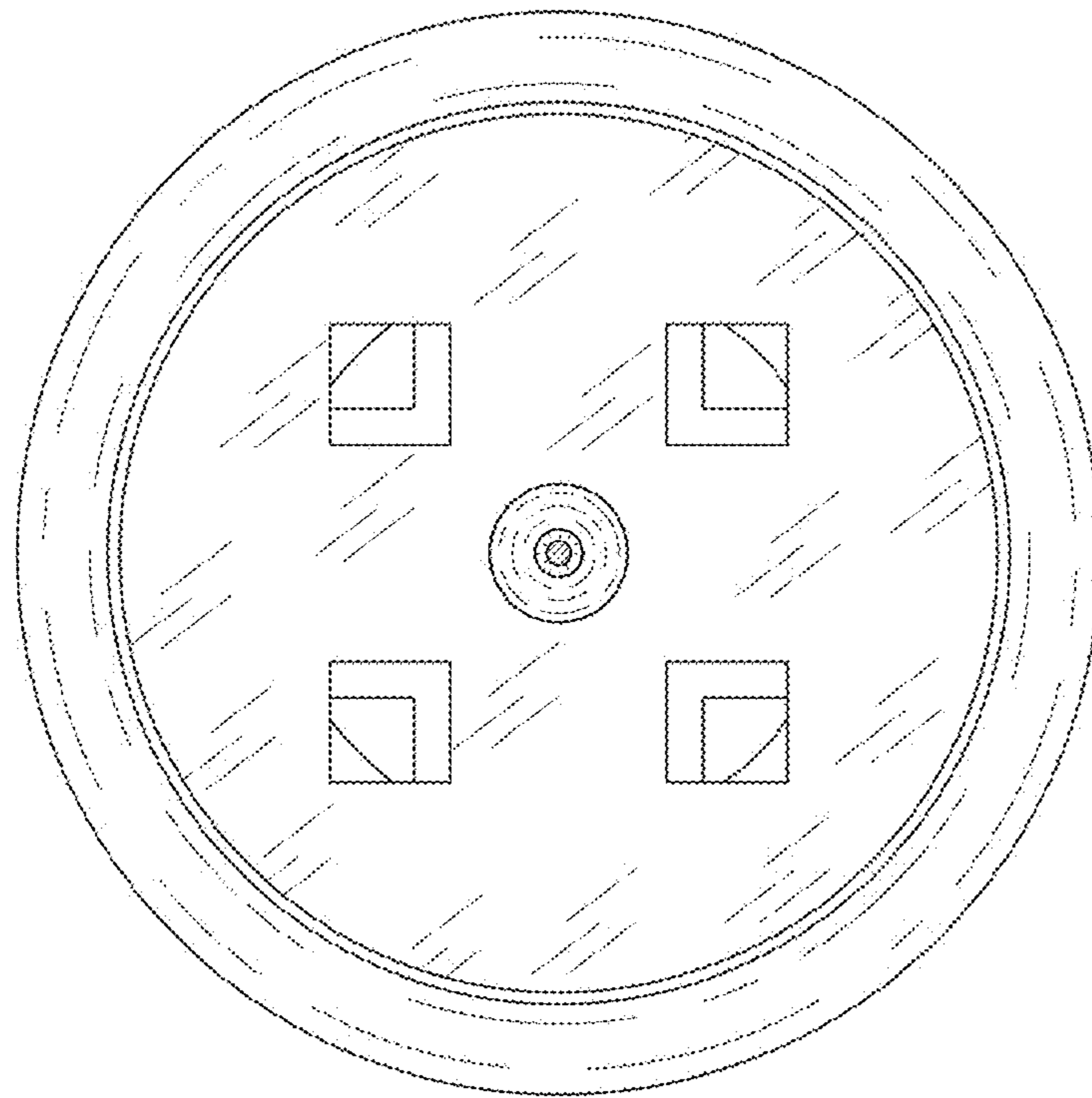


FIG. 7

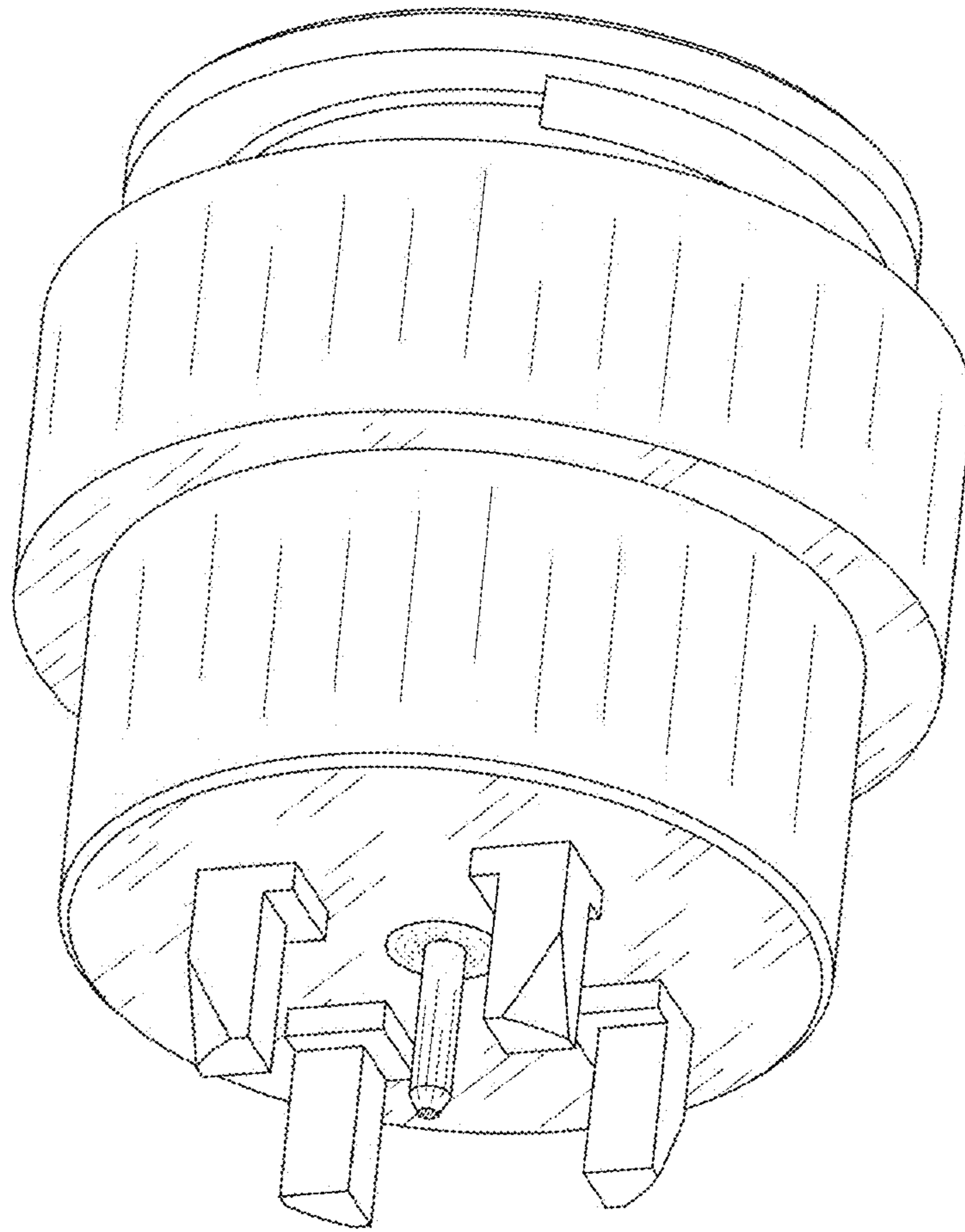


FIG. 8