



US00D908630S

(12) **United States Design Patent**  
**Huang**

(10) **Patent No.:** **US D908,630 S**

(45) **Date of Patent:** **\*\* Jan. 26, 2021**

(54) **USA TO EURO ADAPTER PLUG TRAVEL CHARGER**

D867,295 S \* 11/2019 Shaopeng ..... D13/137.2  
D882,520 S \* 4/2020 Little ..... D13/137.2  
D888,666 S \* 6/2020 Zhang ..... D13/110

(71) Applicant: **Shuyan Huang**, Guangdong (CN)

(72) Inventor: **Shuyan Huang**, Guangdong (CN)

(\*\*) Term: **15 Years**

(21) Appl. No.: **29/690,940**

(22) Filed: **May 13, 2019**

(51) **LOC (13) Cl.** ..... **13-03**

(52) **U.S. Cl.**

USPC ..... **D13/137.2**

(58) **Field of Classification Search**

USPC ..... D13/103, 107, 108, 113, 118, 123, 133,  
D13/137.1–137.4, 139.1–139.7; D14/433,  
D14/434

CPC .... H01R 25/005; H01R 25/006; H01R 13/00;  
H01R 13/04; H01R 13/10; H01R  
13/6666; H01R 13/6675; H01R 25/165;  
H05K 5/00; H05K 5/03

See application file for complete search history.

(56) **References Cited**

**U.S. PATENT DOCUMENTS**

D713,788 S \* 9/2014 Hasegawa ..... D13/110  
D751,038 S \* 3/2016 Lin ..... D13/137.2  
D807,295 S \* 1/2018 Xu ..... D13/137.2  
D808,046 S \* 1/2018 Jianting ..... D26/26  
D816,614 S \* 5/2018 An ..... D13/137.1  
D819,570 S \* 6/2018 Zhong ..... D13/137.1  
D835,042 S \* 12/2018 Qiu ..... D13/137.2  
D849,687 S \* 5/2019 Dai ..... D13/137.2

**OTHER PUBLICATIONS**

Travel Adapter, date Jan. 21, 2019, [online], [site visited Aug. 21, 2020], Available from Internet URL: <https://https://www.amazon.com/dp/B07MZ4L1W2/> (Year: 2019).\*

Travel Adapter, date Jul. 30, 2019, [online], [site visited Aug. 21, 2020], Available from Internet URL: <https://https://www.amazon.com/dp/B07TSYKKQ5/> (Year: 2019).\*

\* cited by examiner

*Primary Examiner* — Karen E Kearney

*Assistant Examiner* — Michael Chong

(74) *Attorney, Agent, or Firm* — Juan Carlos A. Marquez; Marquez IP Law Office, PLLC

(57) **CLAIM**

The ornamental design for a USA to EURO adapter plug travel charger, as shown and described.

**DESCRIPTION**

FIG. 1 is a perspective view of a USA to EURO adapter plug travel charger, showing the new design;

FIG. 2 is a front view thereof;

FIG. 3 is a rear view thereof;

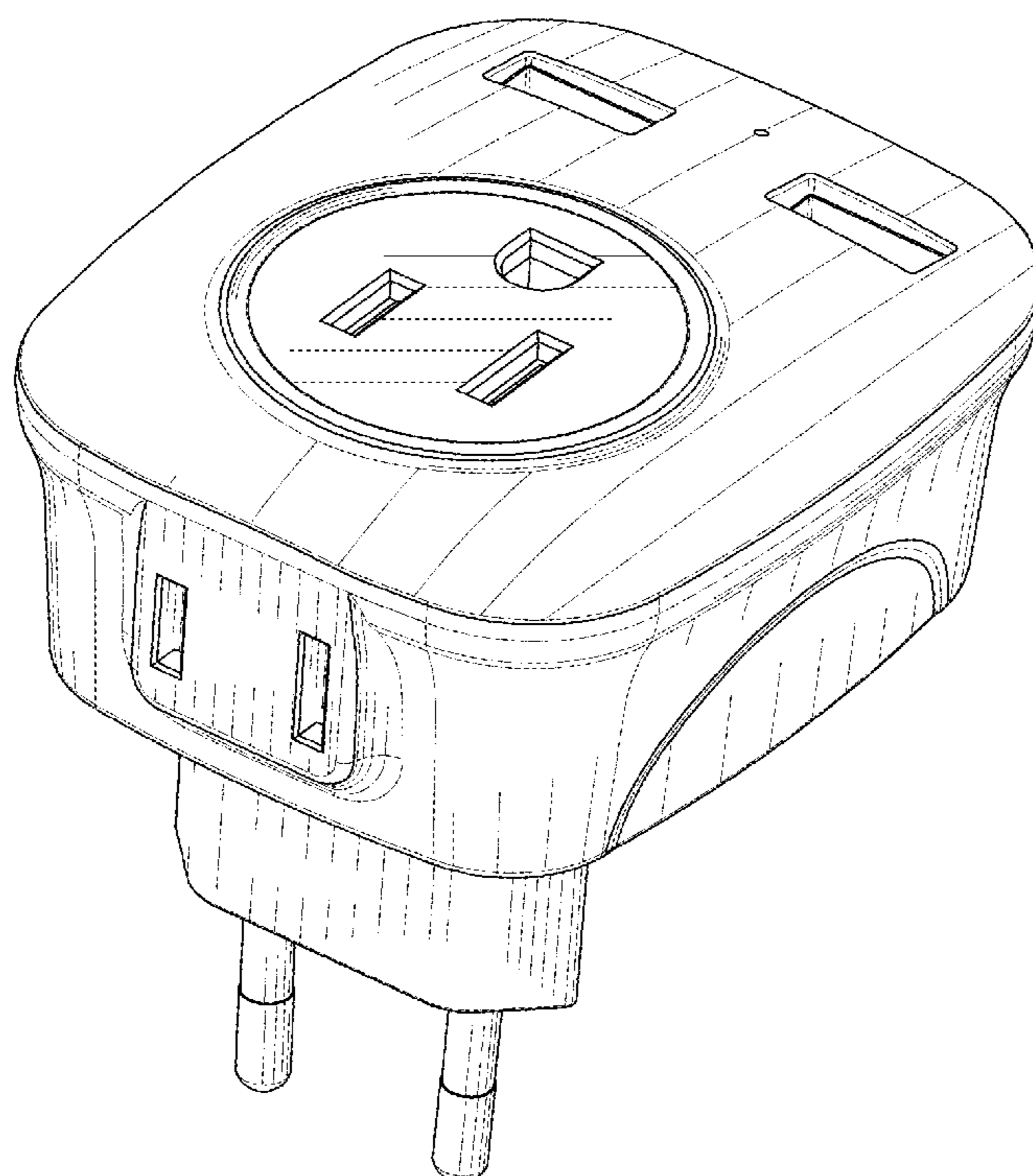
FIG. 4 is a left-side view thereof;

FIG. 5 is a right-side view thereof;

FIG. 6 is a top view thereof; and,

FIG. 7 is a bottom view thereof.

**1 Claim, 7 Drawing Sheets**



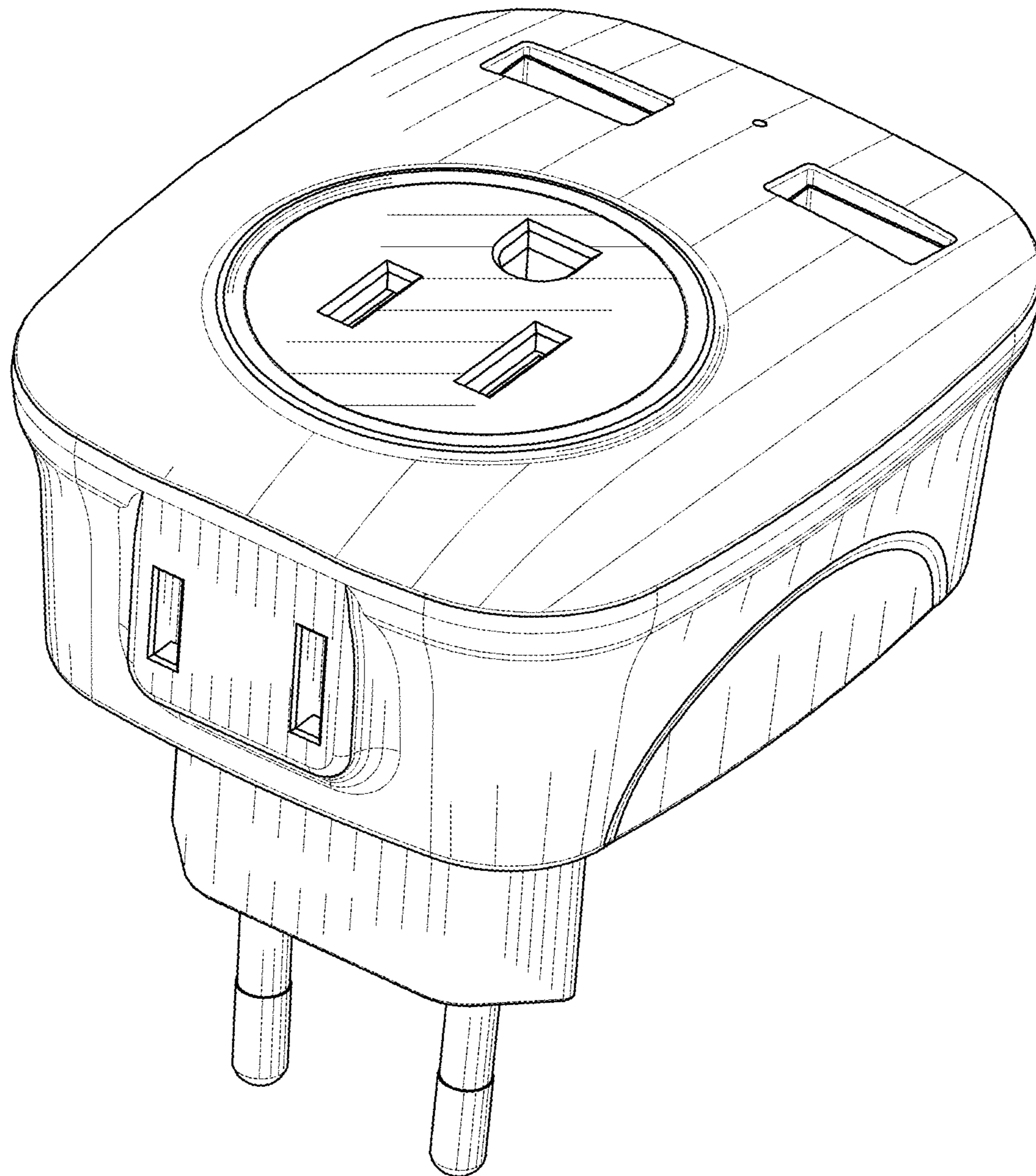


FIG. 1

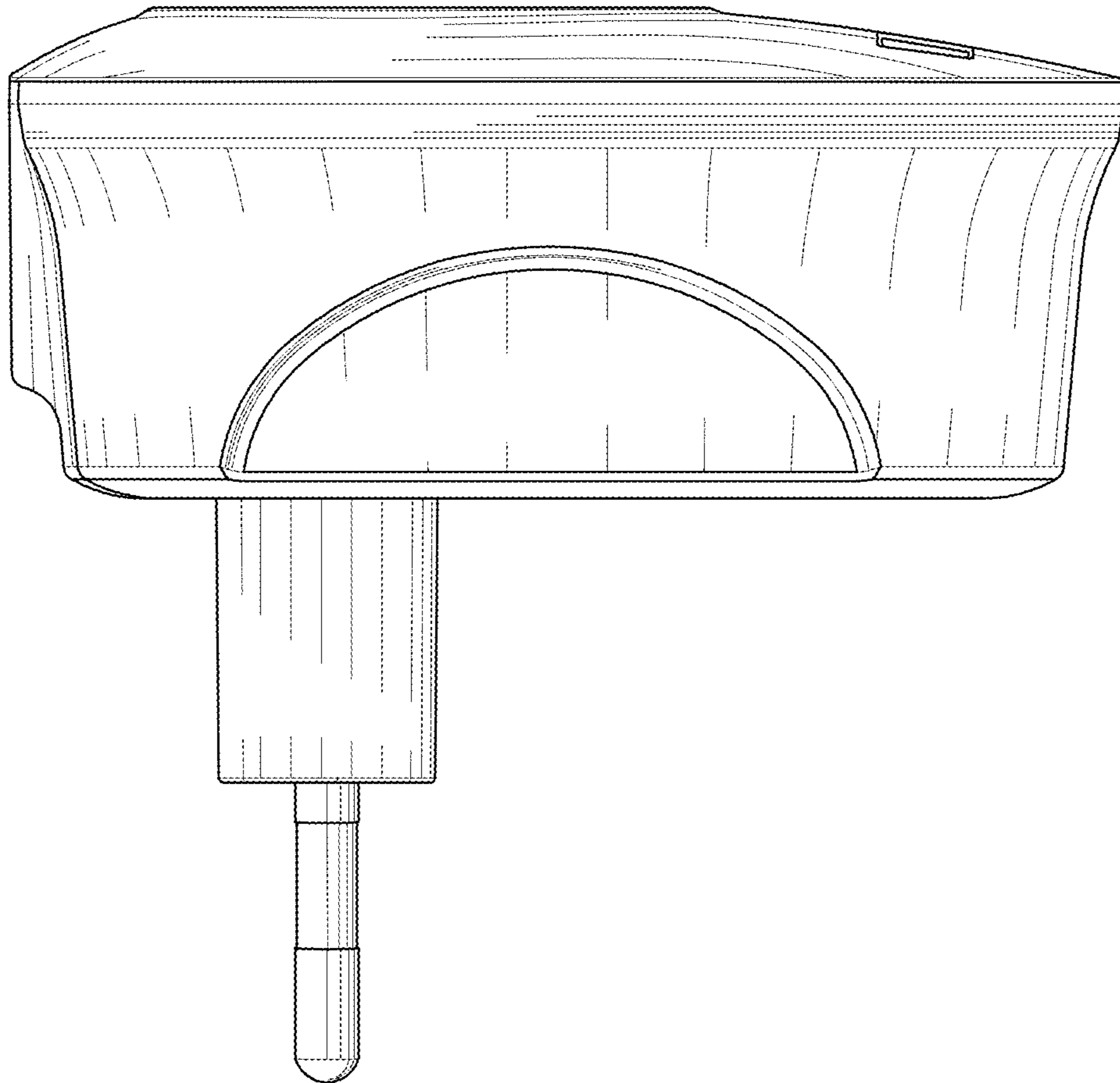


FIG. 2

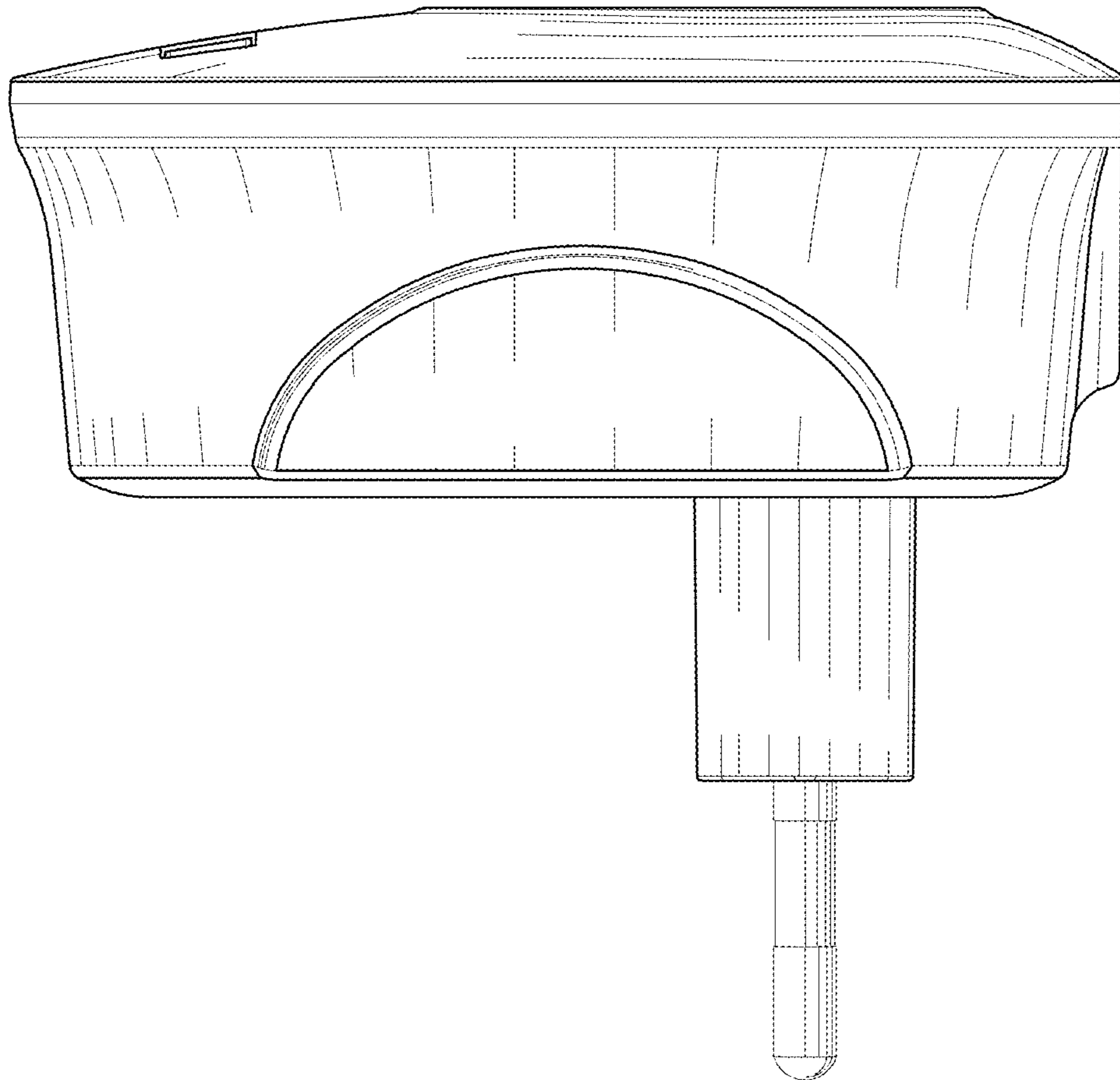


FIG. 3

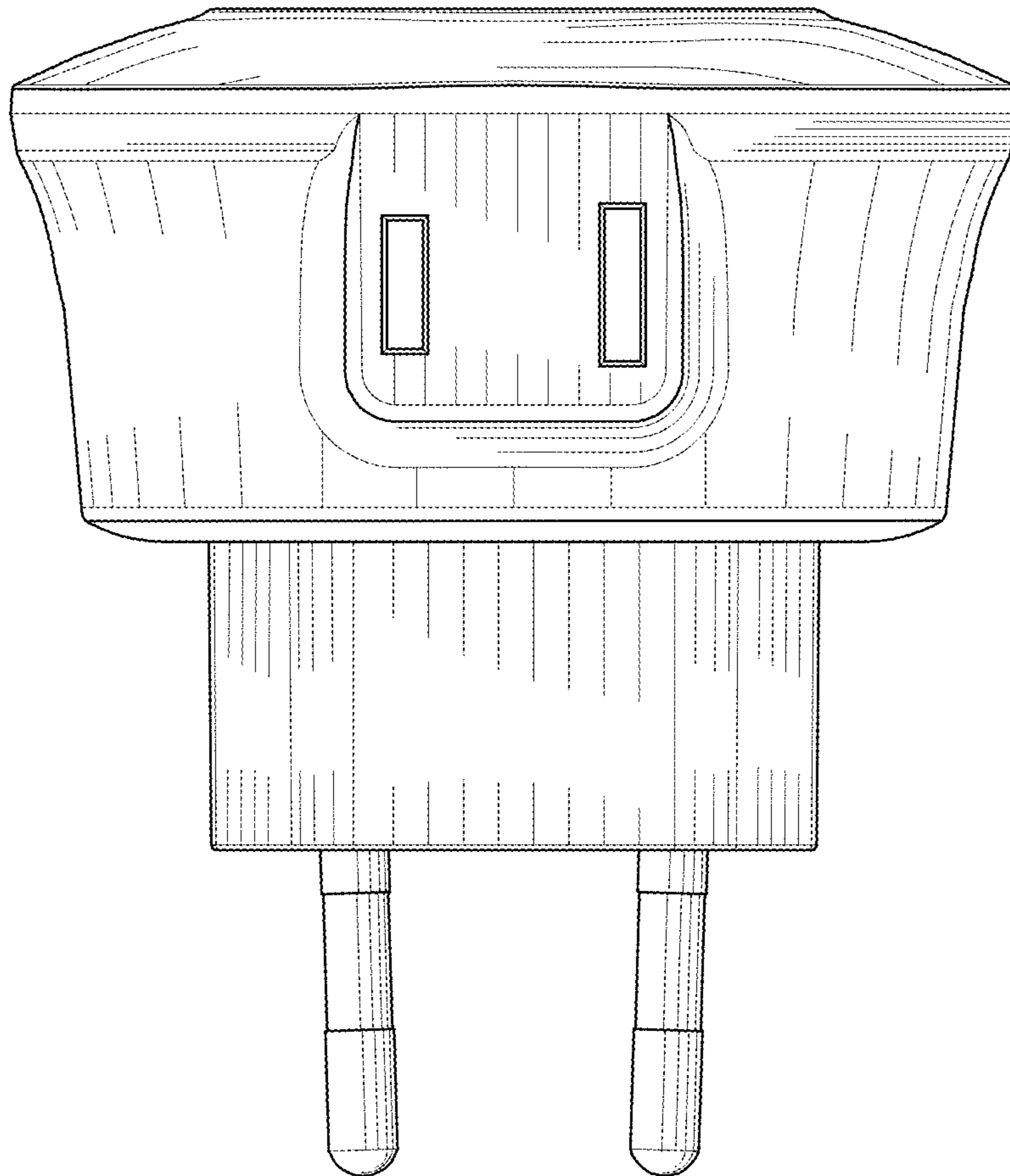


FIG. 4

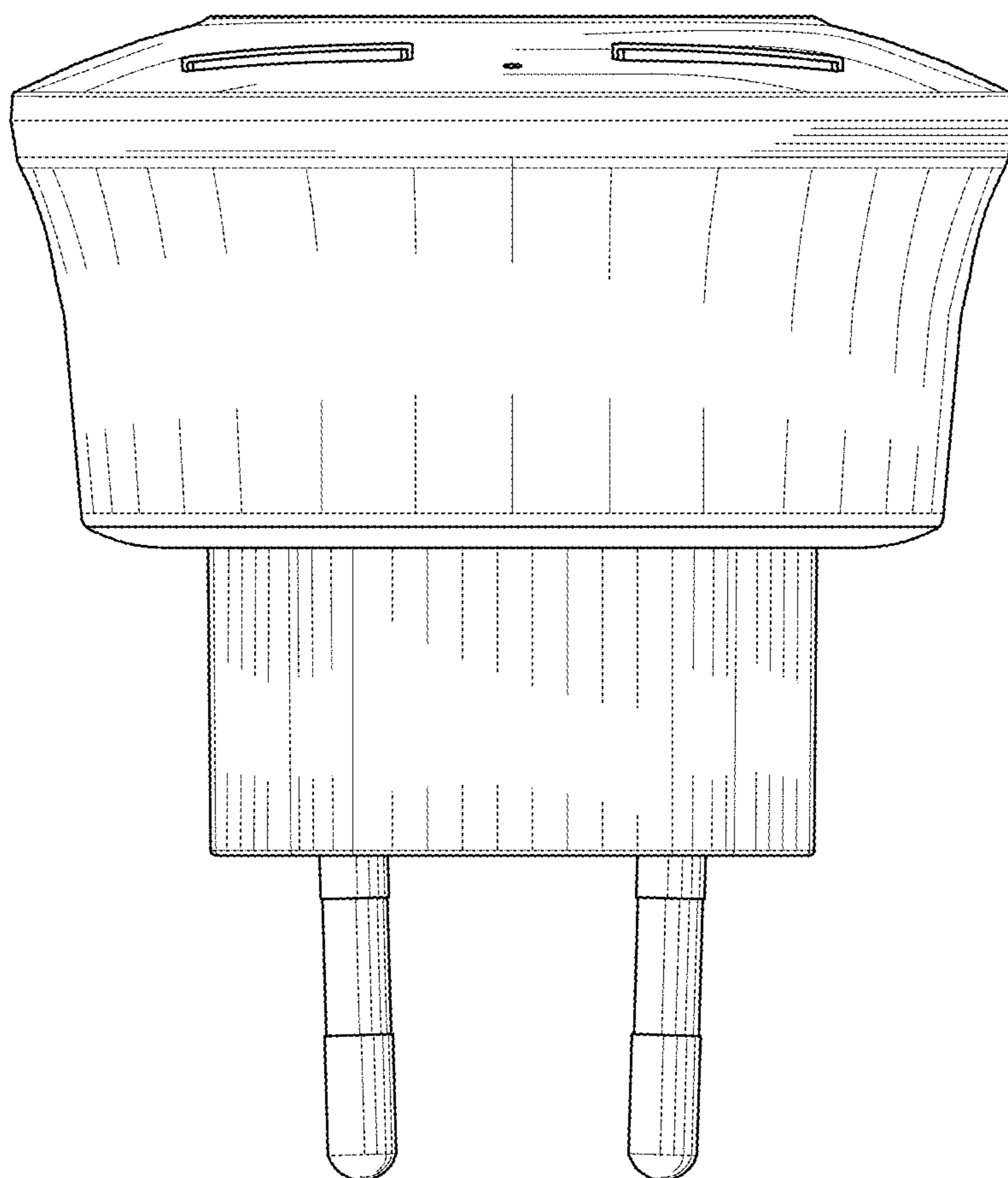


FIG. 5

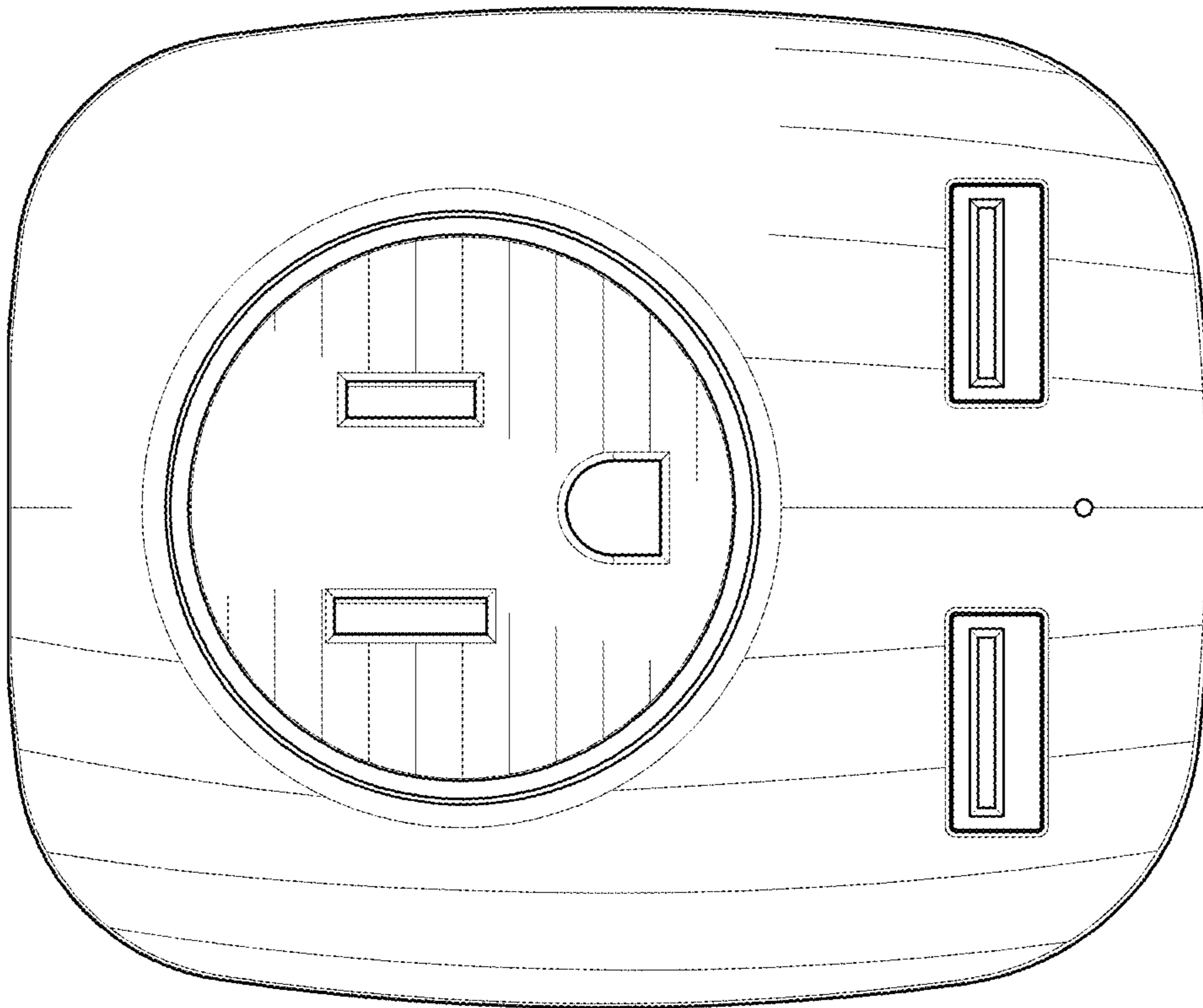


FIG. 6

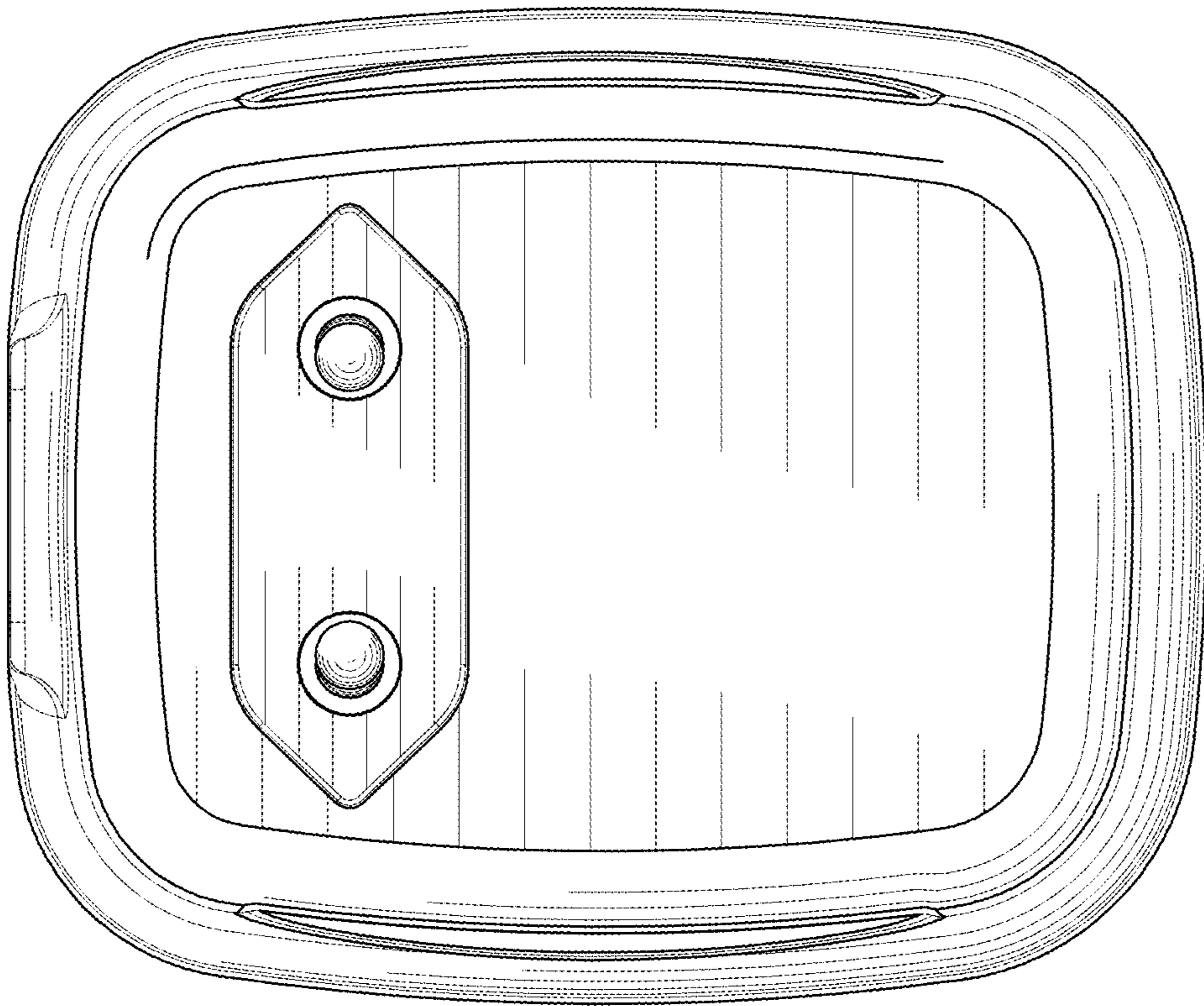


FIG. 7