



US00D908629S

(12) **United States Design Patent**
Koch

(10) **Patent No.:** **US D908,629 S**

(45) **Date of Patent:** **** Jan. 26, 2021**

(54) **CONNECTOR ASSEMBLY**

(71) Applicant: **Neutrik AG**, Schaan (LI)

(72) Inventor: **Matthias Koch**, Götzis (AT)

(73) Assignee: **Neutrik AG**, Schaan (LI)

(**) Term: **15 Years**

(21) Appl. No.: **35/507,649**

(22) Filed: **May 7, 2019**

(80) **Hague Agreement Data**

Int. Filing Date: **May 7, 2019**

Int. Reg. No.: **DM/203705**

Int. Reg. Date: **May 7, 2019**

Int. Reg. Pub. Date: **Nov. 8, 2019**

(51) **LOC (13) Cl.** **13-03**

(52) **U.S. Cl.**
USPC **D13/133**

(58) **Field of Classification Search**
USPC D13/133, 146, 147, 154, 156, 184, 199;
D14/433
CPC H01R 13/5213; H01R 13/5221; H01R
13/5816; H01R 13/64; H01R 13/6456;
H01R 24/38

See application file for complete search history.

(56) **References Cited**

U.S. PATENT DOCUMENTS

D278,230 S * 4/1985 Kominiak D13/133
D510,071 S * 9/2005 D'Addario D13/154
D512,023 S * 11/2005 Bachmann D13/149
D517,497 S * 3/2006 Lee D13/154
D645,022 S * 9/2011 Lee D14/205
D677,626 S * 3/2013 Dobler D13/133
D677,627 S * 3/2013 Dobler D13/133

D692,829 S * 11/2013 Dobler D13/133
D693,304 S * 11/2013 Dobler D13/133
8,708,574 B2 * 4/2014 Wang G02B 6/3849
385/75
D715,227 S * 10/2014 Leem D13/146
D734,267 S * 7/2015 Dobler D13/133
D748,059 S * 1/2016 Kuhnert D13/146
D754,607 S * 4/2016 Hofmann D13/133
D755,720 S * 5/2016 Dobler D13/133
D783,535 S * 4/2017 Dobler D13/133
D783,536 S * 4/2017 Dobler D13/133
D789,297 S * 6/2017 Dobler D13/133
9,671,567 B2 * 6/2017 Dobler G02B 6/3817
10,063,010 B2 * 8/2018 Ender H01R 13/6278
D840,341 S * 2/2019 Menolotto D13/133
10,345,537 B2 * 7/2019 Koch G02B 6/3893
D880,427 S * 4/2020 Milroy D13/147
2009/0269011 A1 * 10/2009 Scadden H01R 13/7172
385/65
2017/0212308 A1 * 7/2017 Koch H01R 13/052
2019/0339462 A1 * 11/2019 Koch H01R 13/502

* cited by examiner

Primary Examiner — Nathaniel D. Buckner

(74) *Attorney, Agent, or Firm* — Collard & Roe, P.C.

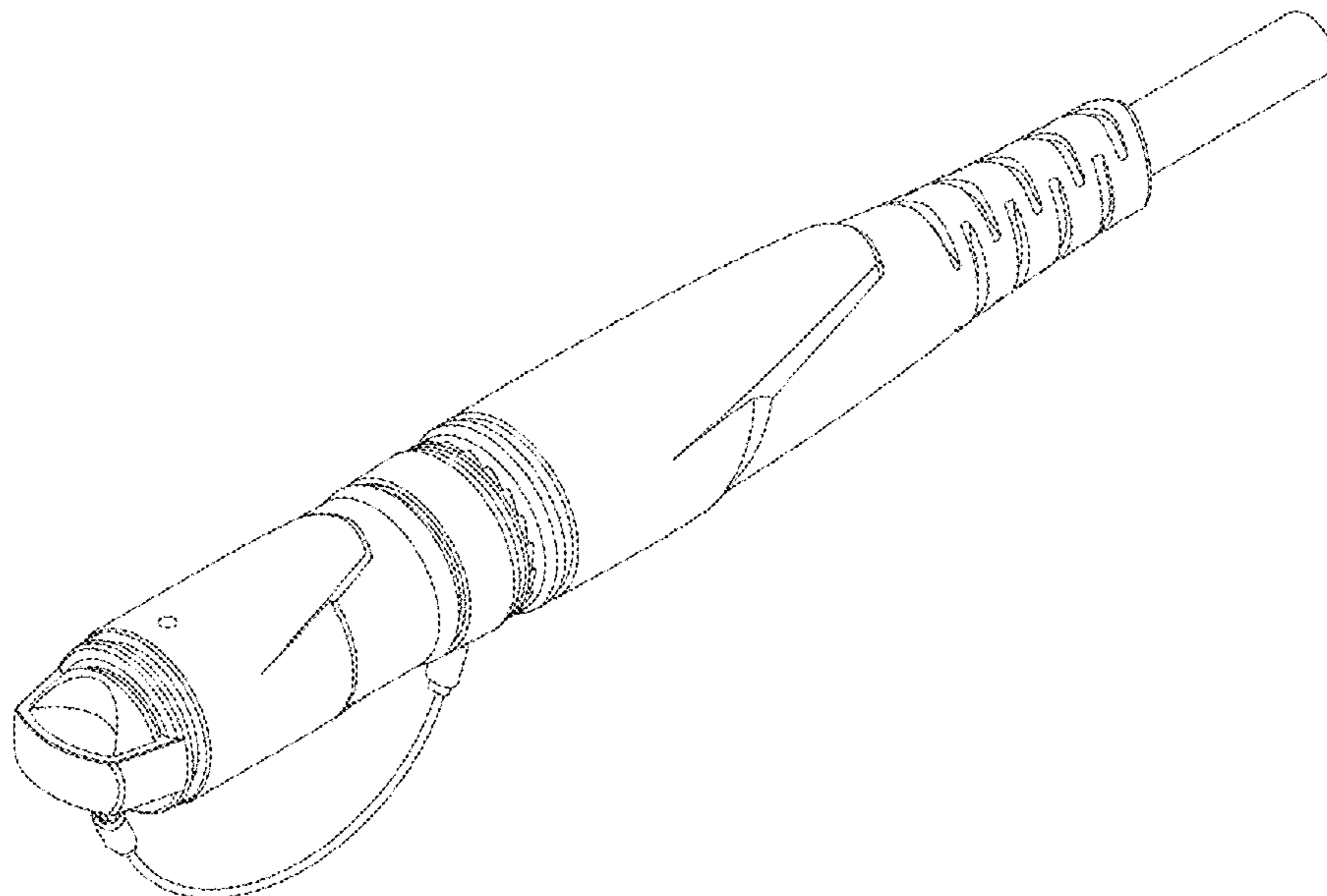
(57) **CLAIM**

The ornamental design for connector assembly, as shown and described.

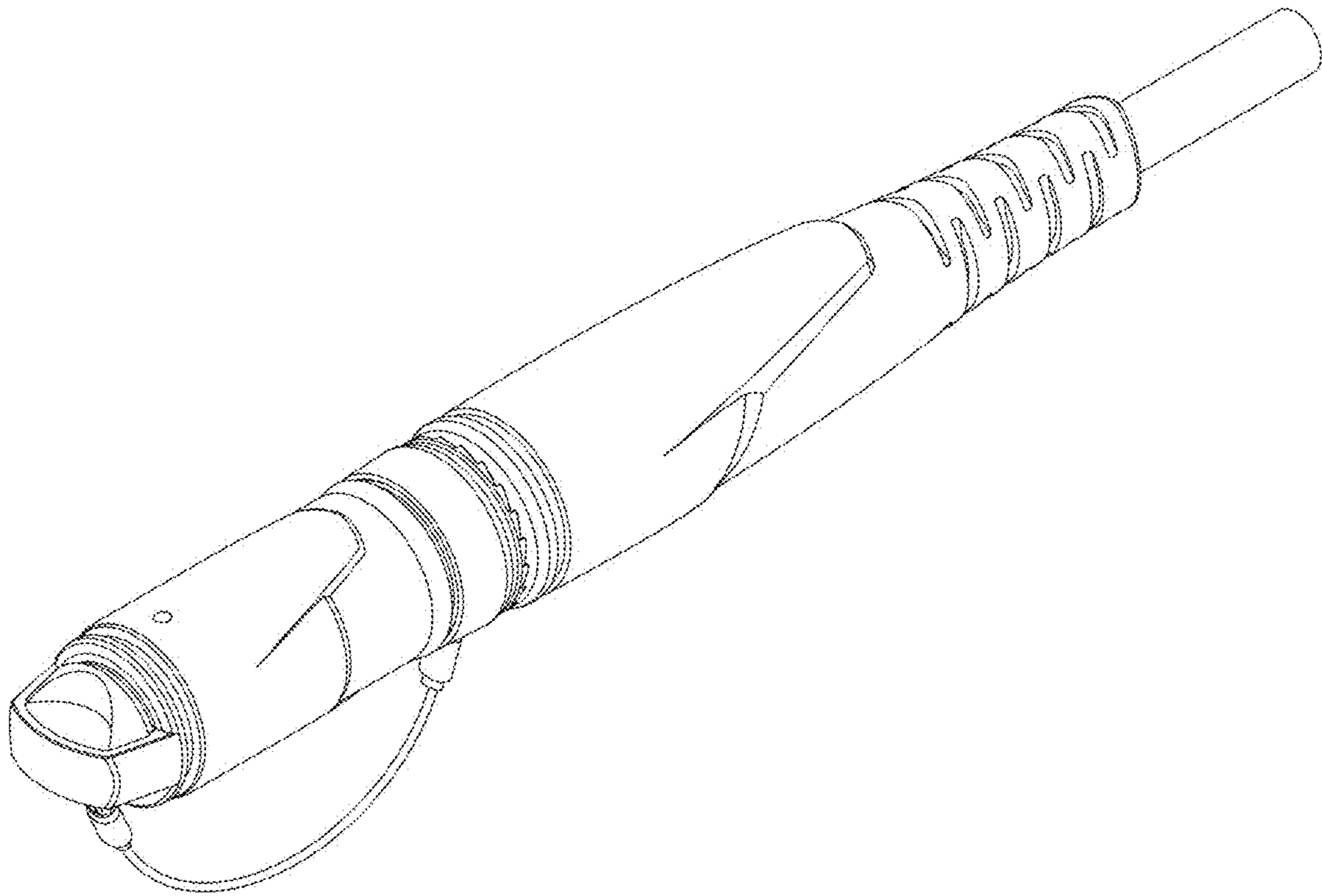
DESCRIPTION

- 1. Connector assembly
- 1.1 is a top right perspective view of a connector assembly showing my new design;
- 1.2 is a Front elevation view thereof;
- 1.3 is a rear elevation view thereof;
- 1.4 is a left side elevation view thereof;
- 1.5 is a right side elevation view thereof;
- 1.6 is a top plan view thereof;
- 1.7 is a bottom plan view thereof.

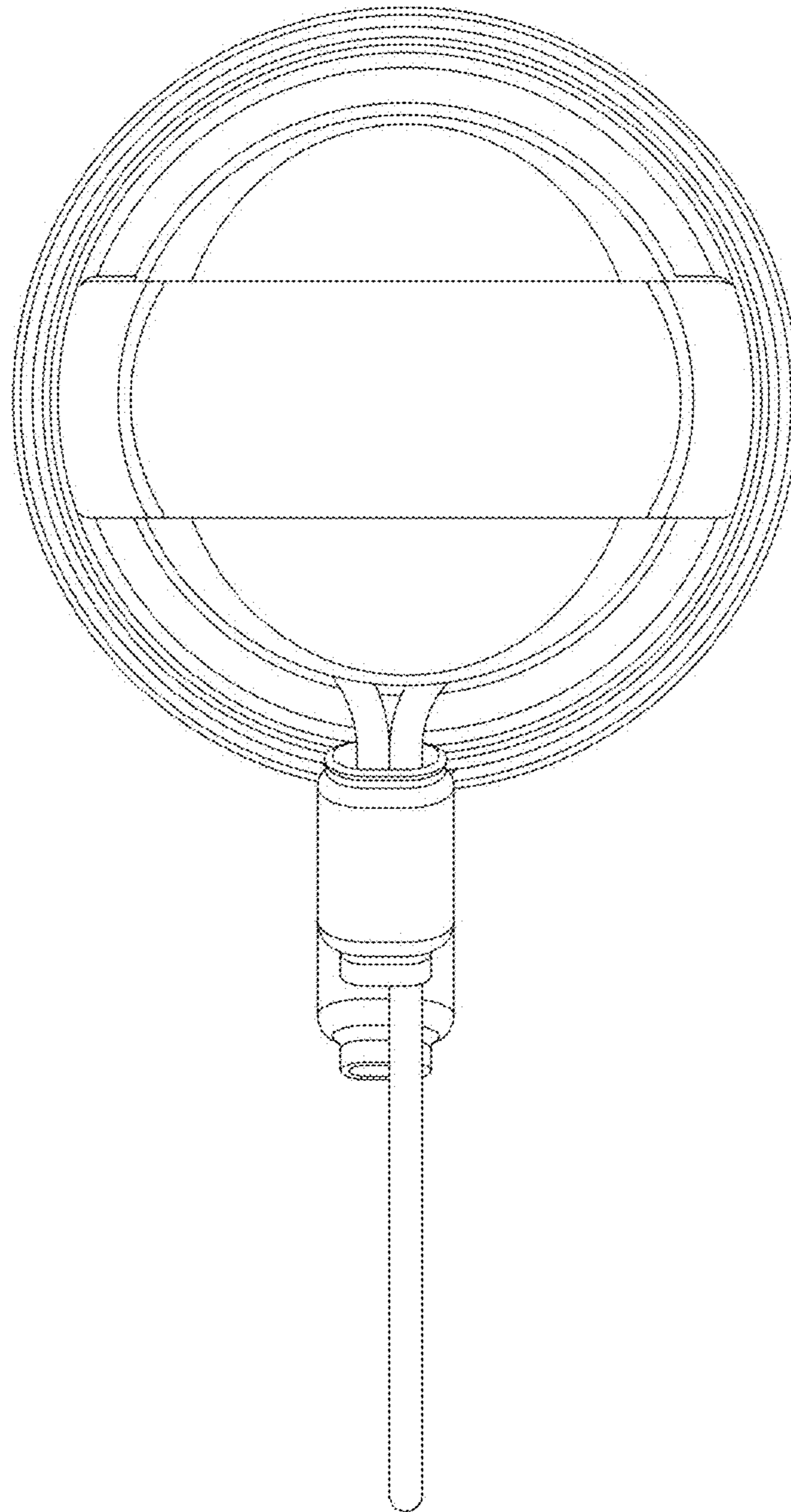
1 Claim, 7 Drawing Sheets



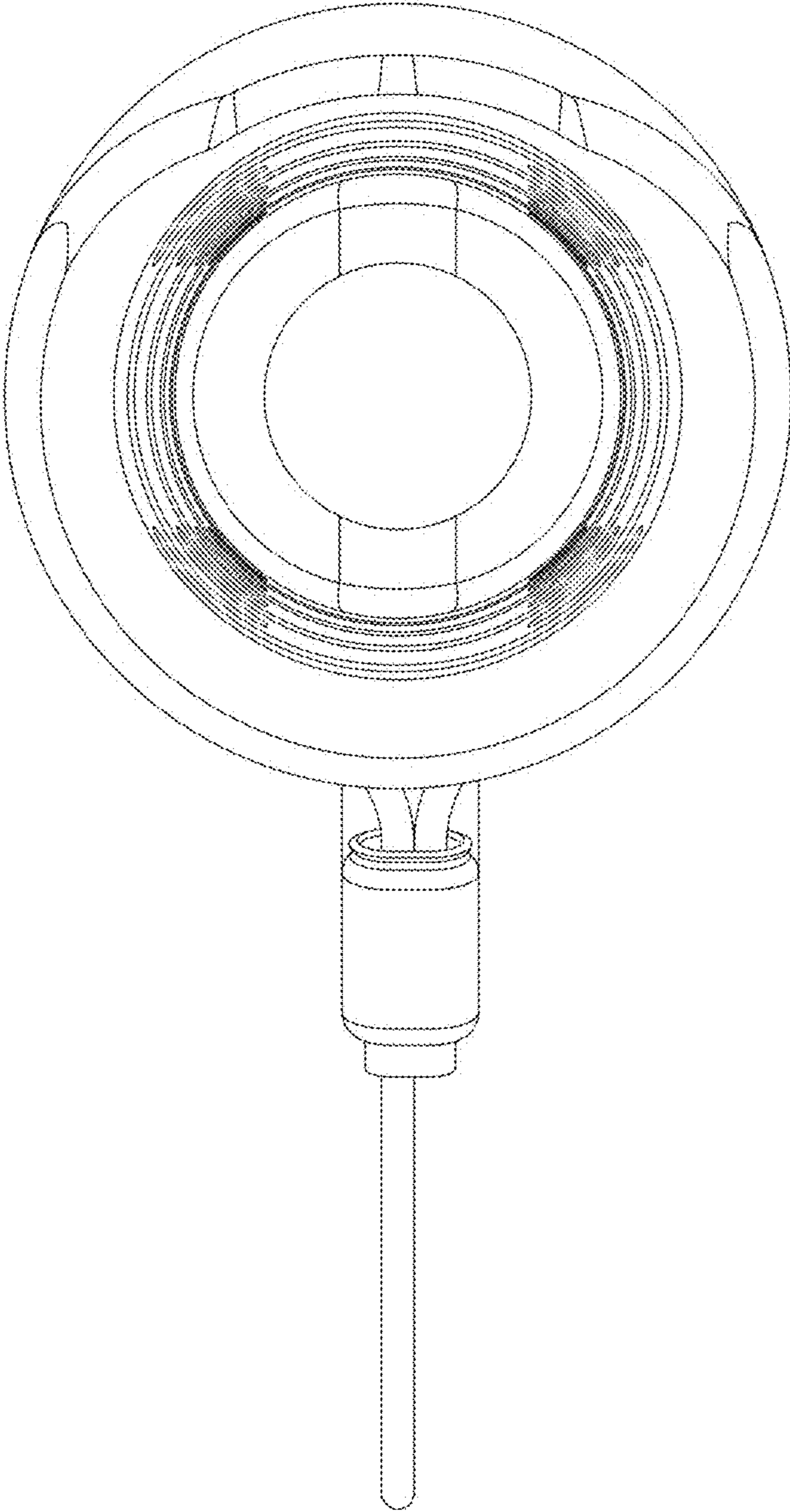
1.1



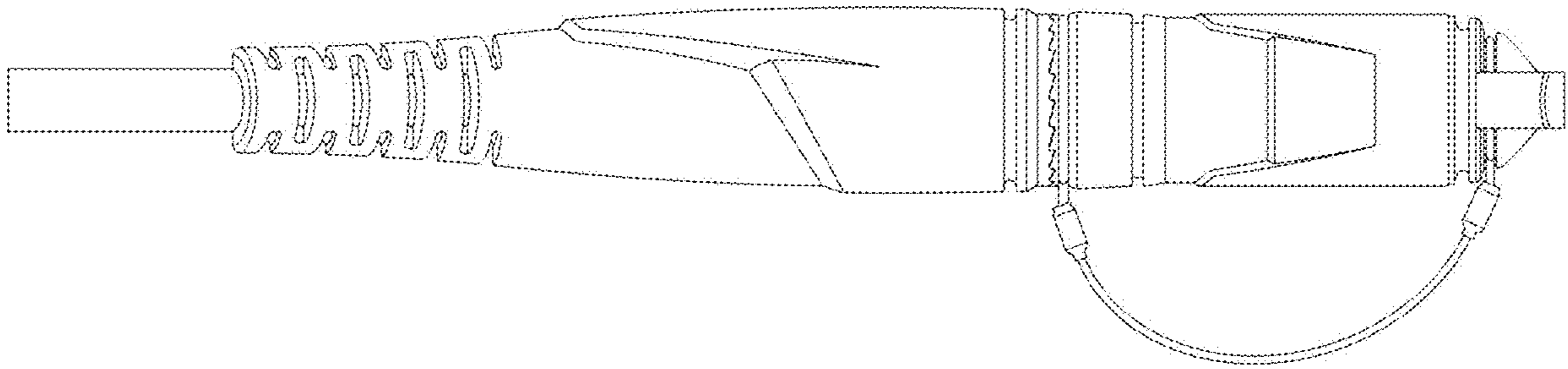
1.2

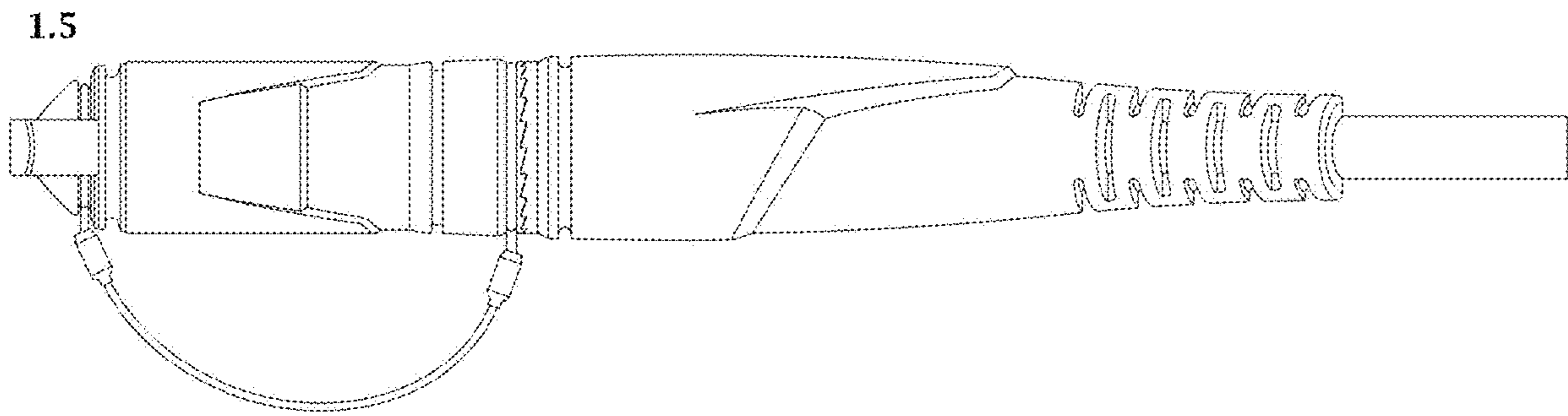


1.3

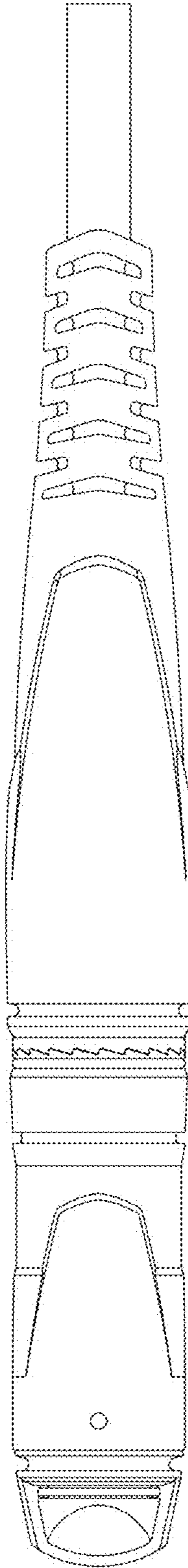


1.4





1.6



1.7

