



US00D908627S

(12) **United States Design Patent** (10) **Patent No.:** **US D908,627 S**
Ender (45) **Date of Patent:** **** Jan. 26, 2021**

(54) **CONNECTOR**
(71) Applicant: **Neutrik AG**, Schaan (LI)
(72) Inventor: **Norbert Ender**, Fraxern (AT)
(73) Assignee: **NEUTRIK AG**, Schaan (LI)
(**) Term: **15 Years**
(21) Appl. No.: **35/506,547**
(22) Filed: **Jan. 9, 2019**
(80) **Hague Agreement Data**
Int. Filing Date: **Jan. 9, 2019**
Int. Reg. No.: **DM/200445**
Int. Reg. Date: **Jan. 9, 2019**
Int. Reg. Pub. Date: **Apr. 5, 2019**

(51) **LOC (13) Cl.** **13-03**
(52) **U.S. Cl.**
USPC **D13/133**
(58) **Field of Classification Search**
USPC D13/133, 147, 154, 146; D8/387
CPC H01R 13/6315; H01R 13/44; H01R 13/50;
H01R 13/6275; H01R 13/7033; H01R
13/516; G02B 6/3893; G02B 6/3817
See application file for complete search history.

(56) **References Cited**
U.S. PATENT DOCUMENTS
6,582,248 B2 * 6/2003 Bachman H01R 13/516
439/447
D677,626 S * 3/2013 Dobler D13/133
D677,627 S * 3/2013 Dobler D13/133
8,435,080 B2 * 5/2013 Dobler H01R 13/7033
439/668
D692,829 S * 11/2013 Dobler D13/133
D693,304 S * 11/2013 Dobler D13/133
D734,267 S * 7/2015 Dobler D13/133
D737,771 S * 9/2015 Hofmann D13/133

D754,607 S * 4/2016 Hofmann D13/133
9,401,565 B2 * 7/2016 Dobler H01R 13/6275
D779,434 S * 2/2017 Dobler D13/133
D781,691 S * 3/2017 Baiz D8/387
D783,536 S * 4/2017 Dobler D13/133
D789,297 S * 6/2017 Dobler D13/133
9,671,567 B2 * 6/2017 Dobler H01R 13/50
D813,821 S * 3/2018 Corona D13/147
9,958,617 B2 * 5/2018 Koch G02B 6/3817
D824,857 S * 8/2018 Vogel D13/146
D830,312 S * 10/2018 Nguyen D13/154
D836,069 S * 12/2018 Barrefelt D13/133
D840,341 S * 2/2019 Menolotto D13/133
D847,093 S * 4/2019 Barrefelt D13/133
D847,747 S * 5/2019 Rasmussen D13/133
D847,749 S * 5/2019 Barrefelt D13/133
D847,753 S * 5/2019 Barrefelt D13/133
10,345,537 B2 * 7/2019 Koch H01R 13/44
D870,673 S * 12/2019 Obata D13/147
D872,693 S * 1/2020 Watkins D13/133
D872,694 S * 1/2020 Ishiguro D13/133
10,535,953 B2 * 1/2020 Kondo H01R 13/6315
D876,364 S * 2/2020 Wang D13/147

(Continued)

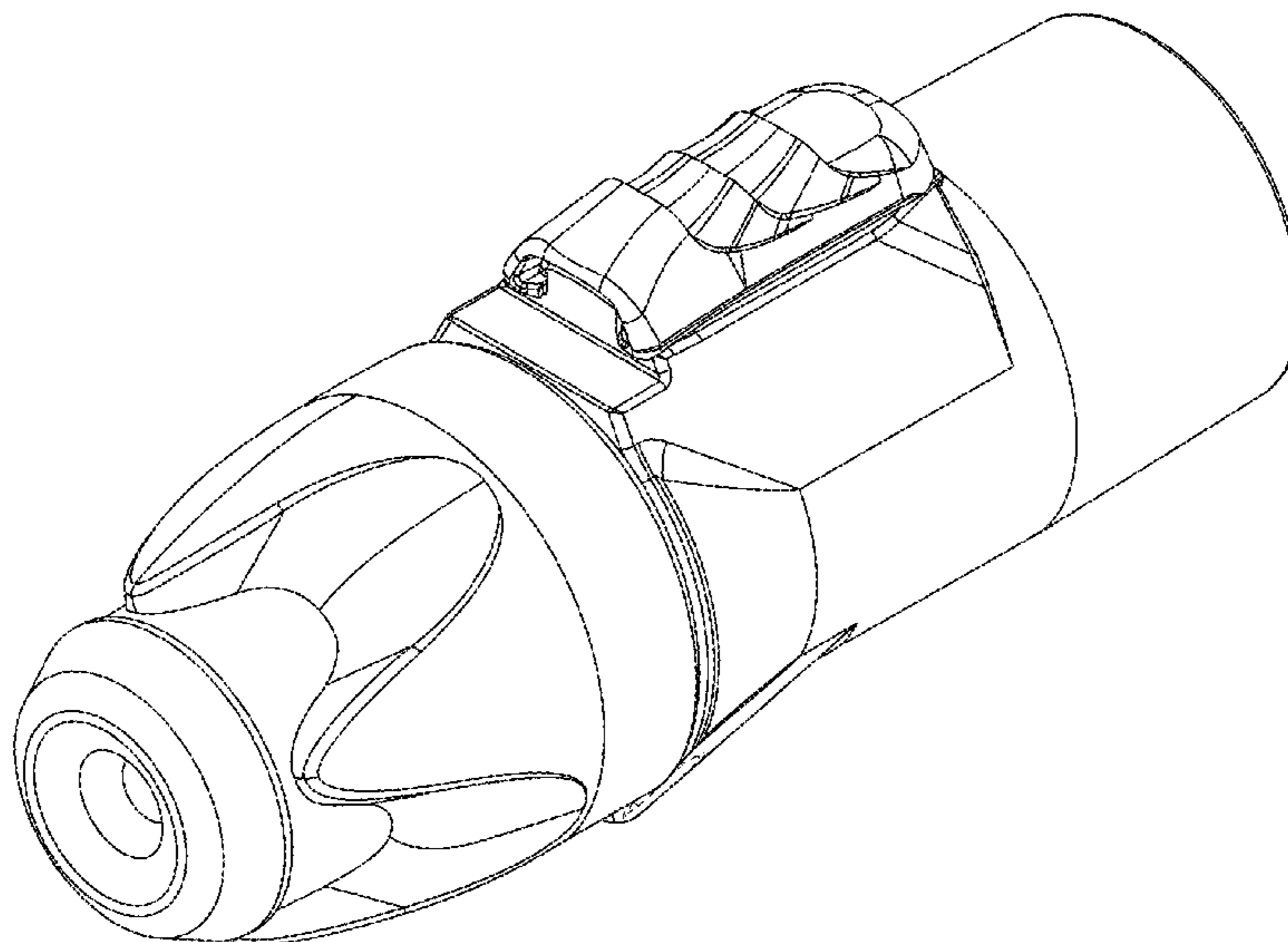
Primary Examiner — Rhea Shields
(74) *Attorney, Agent, or Firm* — Volpe Koenig

(57) **CLAIM**
The ornamental design for a connector, as shown and described.

DESCRIPTION

1.1 is a front perspective view of a connector in accordance with my design;
1.2 is a front view thereof;
1.3 is a left side view thereof;
1.4 is a top view thereof;
1.5 is a right side view thereof;
1.6 is a bottom view thereof; and
1.7 is a rear view thereof.
The broken lines represent portions of the connector that form no part of the claimed design.

1 Claim, 7 Drawing Sheets



(56)

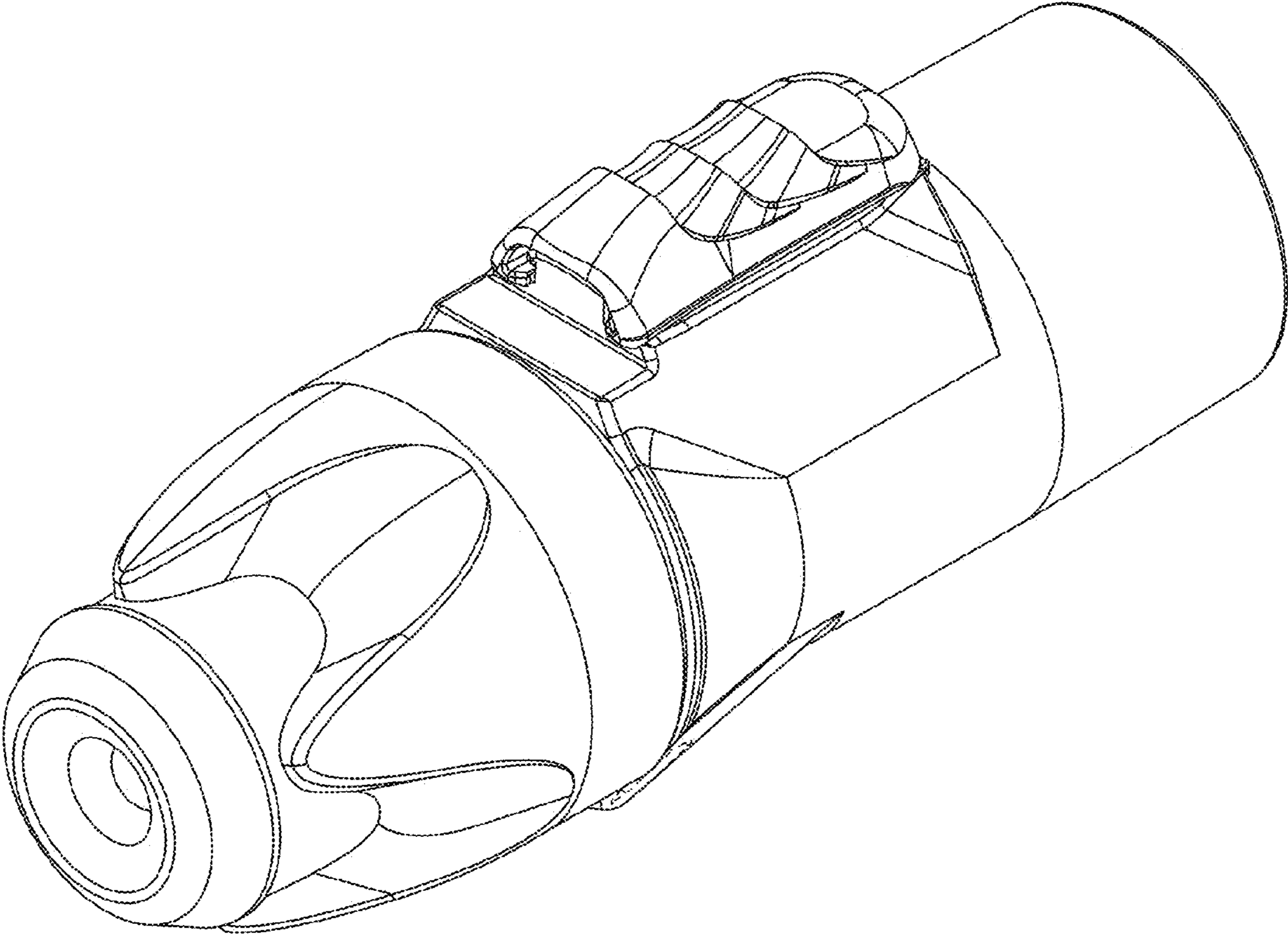
References Cited

U.S. PATENT DOCUMENTS

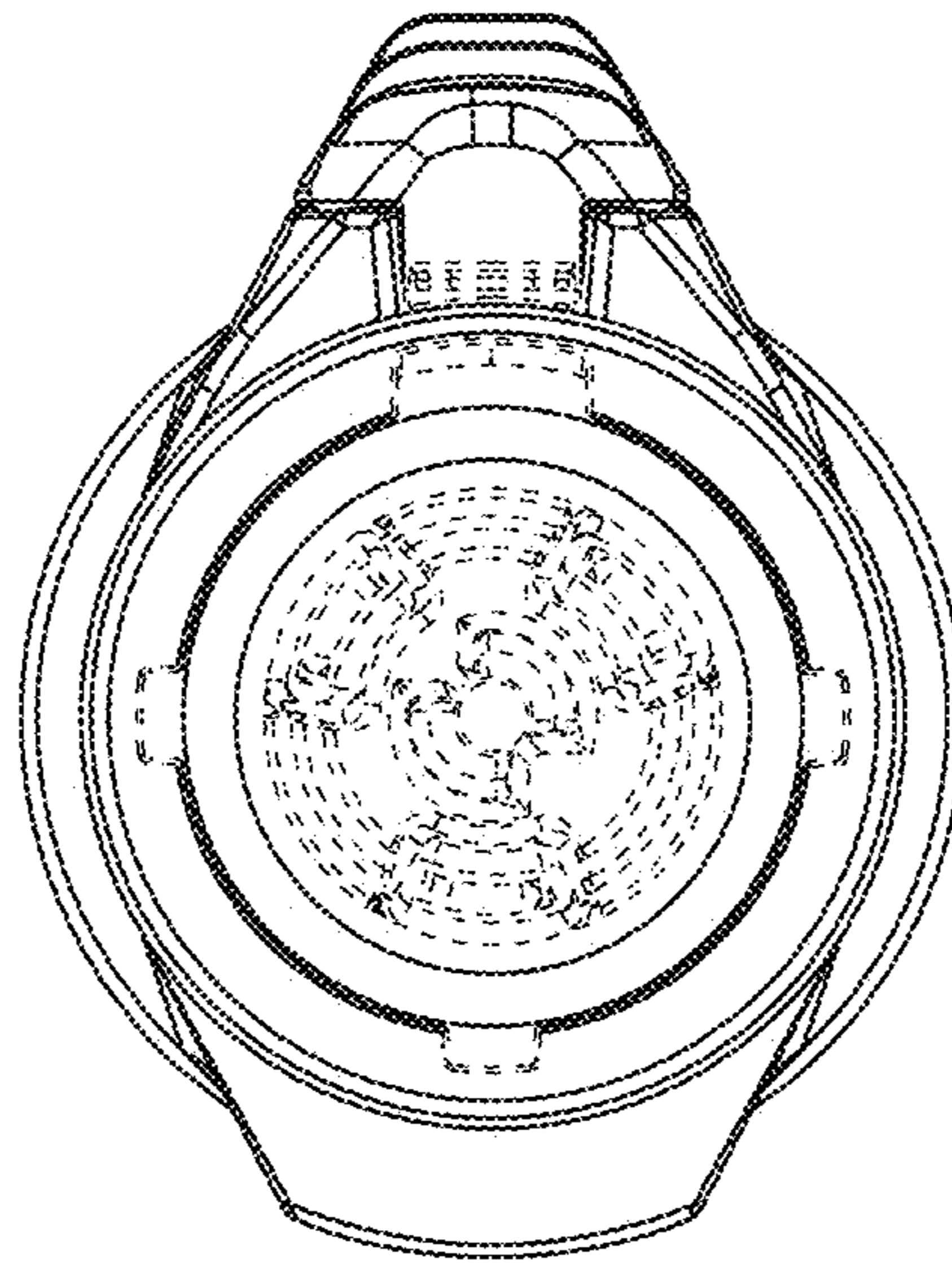
D876,367 S * 2/2020 Wang D13/147
2015/0155652 A1* 6/2015 Ender G02B 6/3893
403/376

* cited by examiner

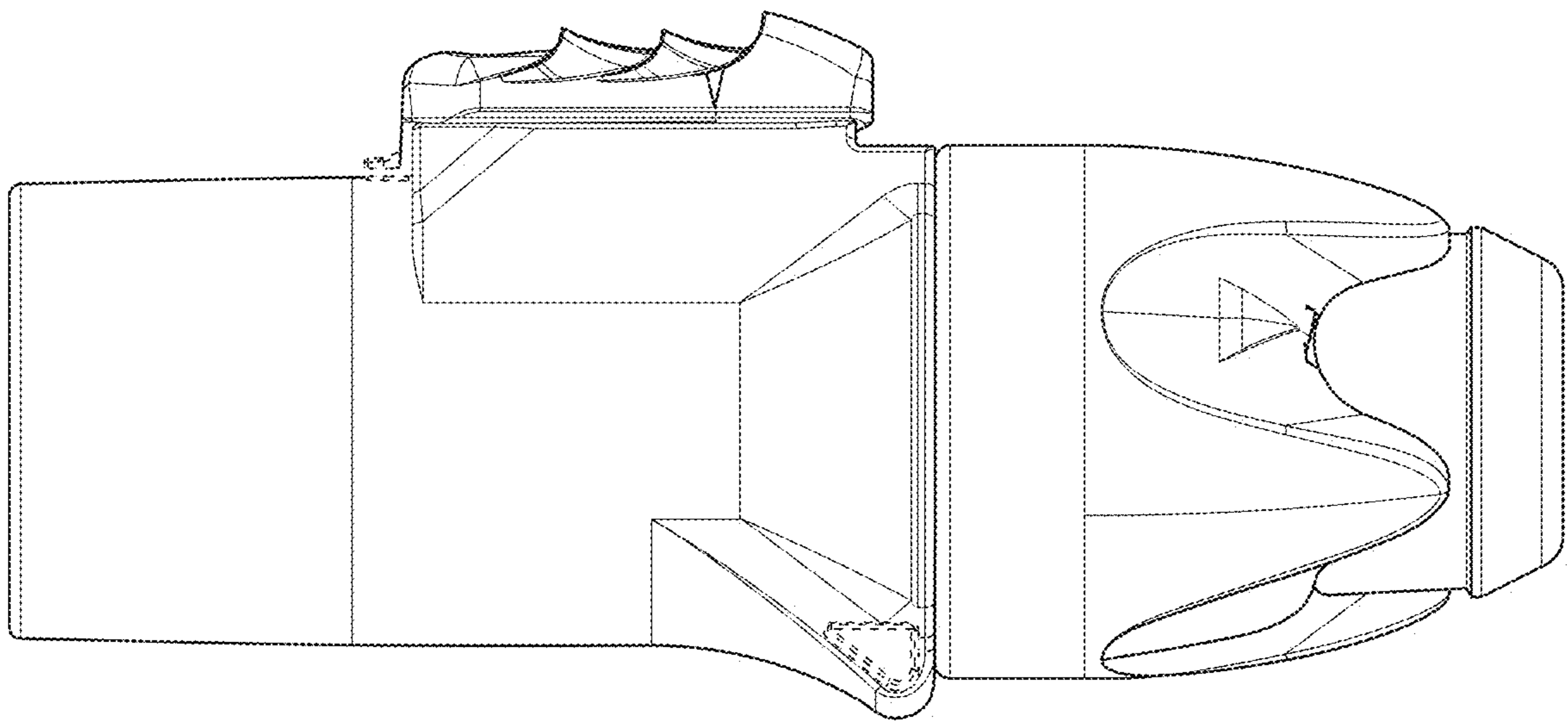
1.1



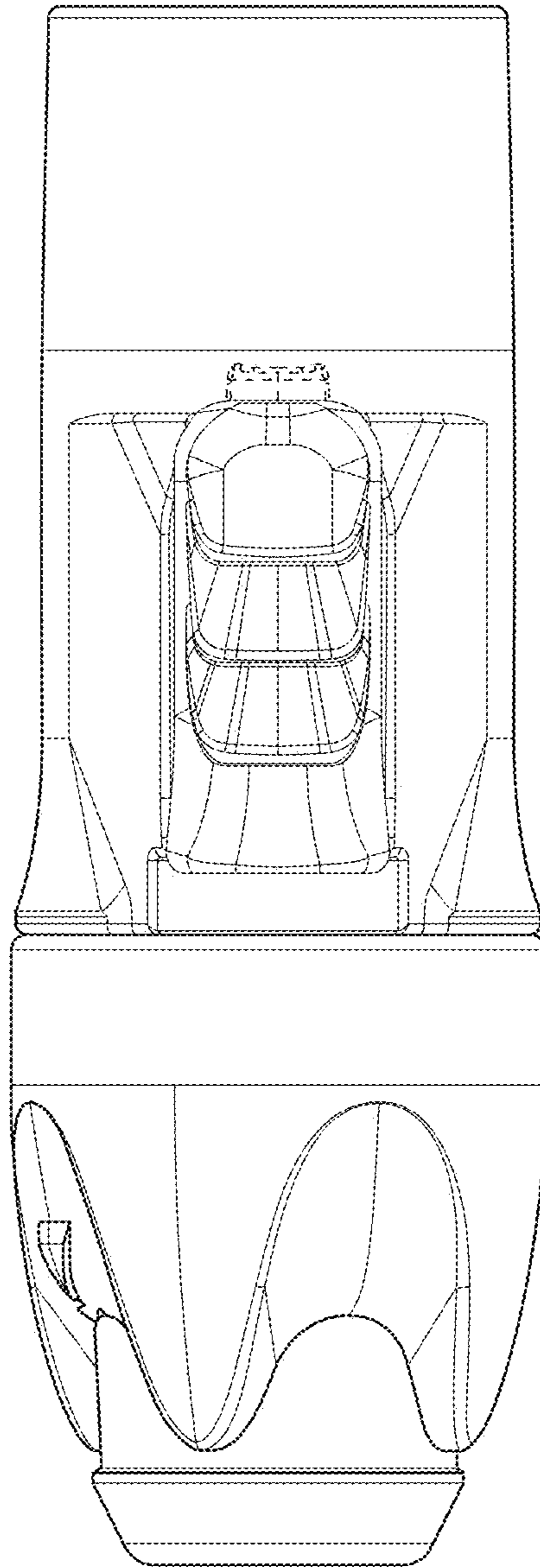
1.2



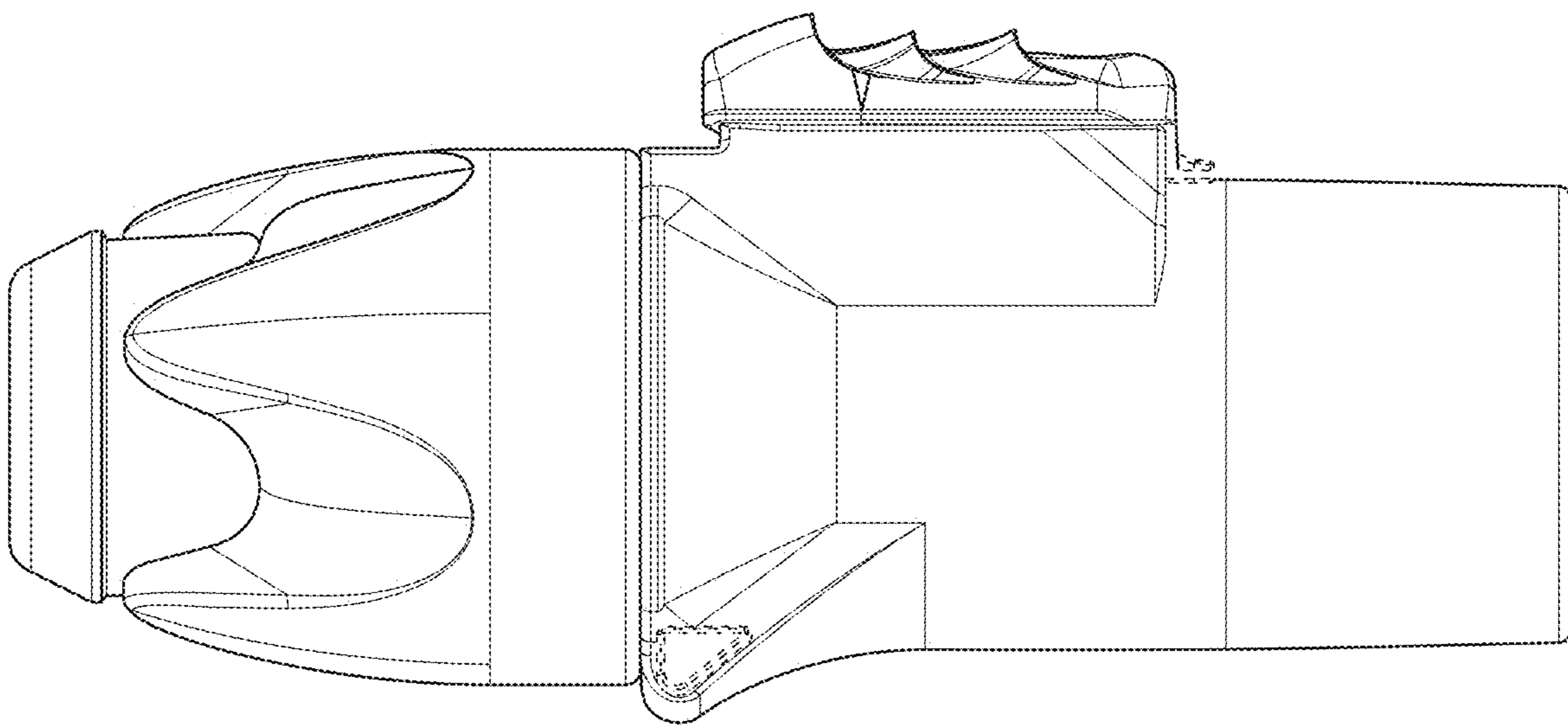
1.3



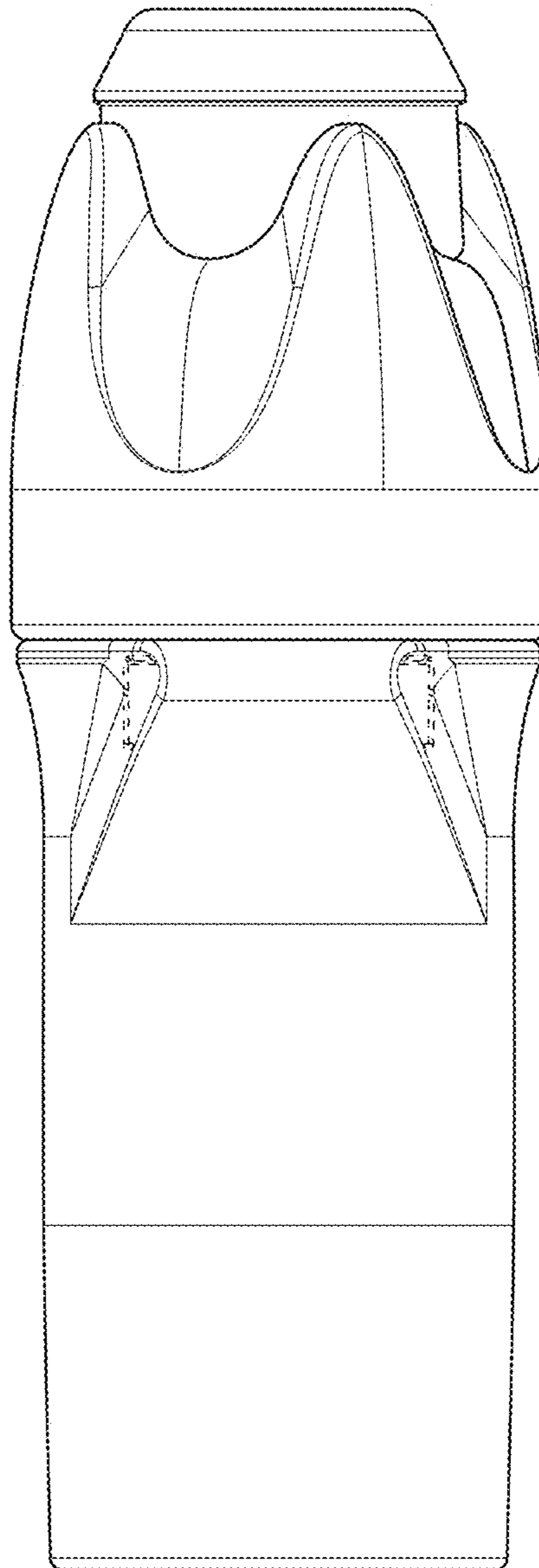
1.4



1.5



1.6



1.7

