



US00D908625S

(12) **United States Design Patent**
Forrette et al.

(10) **Patent No.:** **US D908,625 S**

(45) **Date of Patent:** **** Jan. 26, 2021**

(54) **WIND POWER GENERATOR**
(71) Applicant: **KITEMILL AS**, Voss (NO)
(72) Inventors: **Christopher A. Forrette**, Voss (NO);
Jeff Gibboney, Voss (NO); **Jo Grini**,
Voss (NO); **Lode Carnel**, Voss (NO);
Pranay Sinha, Voss (NO); **Sture**
Smidt, Voss (NO); **Thomas Hårklau**,
Voss (NO)

(73) Assignee: **KITEMILL AS**, Voss (NO)

(**) Term: **15 Years**

(21) Appl. No.: **35/504,302**

(22) Filed: **Oct. 25, 2017**

(80) **Hague Agreement Data**

Int. Filing Date: **Oct. 25, 2017**
Int. Reg. No.: **DM/099142**
Int. Reg. Date: **Oct. 25, 2017**
Int. Reg. Pub. Date: **Jan. 12, 2018**

(30) **Foreign Application Priority Data**

Apr. 25, 2017 (EP) 003872001

(51) **LOC (13) Cl.** **13-01**

(52) **U.S. Cl.**
USPC **D13/115**

(58) **Field of Classification Search**
USPC D13/115; D12/214, 16.1, 344, 337, 328,
D12/319, 327, 345, 343; D14/126;
D21/453, 449; 290/55; 244/7 B
CPC H02K 7/1838; F03D 9/25; B64C 15/00
See application file for complete search history.

(56) **References Cited**

U.S. PATENT DOCUMENTS

D559,762 S * 1/2008 Au D12/319
D619,076 S * 7/2010 Guering D12/343

D639,239 S * 6/2011 Gudewer D13/115
D731,395 S * 6/2015 Ivans D12/345
D743,868 S * 11/2015 Cummings D12/328
D749,488 S * 2/2016 De Camargo D12/319
D757,859 S * 5/2016 Goitein D21/453
D770,997 S * 11/2016 Kang D14/126
D794,564 S * 8/2017 Graefe D13/115
D795,784 S * 8/2017 Guo D12/328
D807,273 S * 1/2018 Koppenwallner D12/337
D809,448 S * 2/2018 Schmiderer D12/344
D819,749 S * 6/2018 Caubel D21/449
D824,320 S * 7/2018 Ivans D12/327
D825,381 S * 8/2018 Meugnier D12/16.1
D828,803 S * 9/2018 Xiao D12/214
D829,172 S * 9/2018 Cooper D13/115
D832,141 S * 10/2018 Ferner D12/16.1
2012/0286102 A1 * 11/2012 Sinha B64C 15/00
244/7 B
2016/0377060 A1 * 12/2016 Tanaka F03D 9/25
290/55

(Continued)

Primary Examiner — Rhea Shields

(74) *Attorney, Agent, or Firm* — Knobbe, Martens, Olson
& Bear, LLP

(57) **CLAIM**

The ornamental design for a wind power generator, as shown
and described.

DESCRIPTION

1.-2. Wind power generators

1.1: Perspective

1.2: Top

1.3: Front

1.4: Bottom

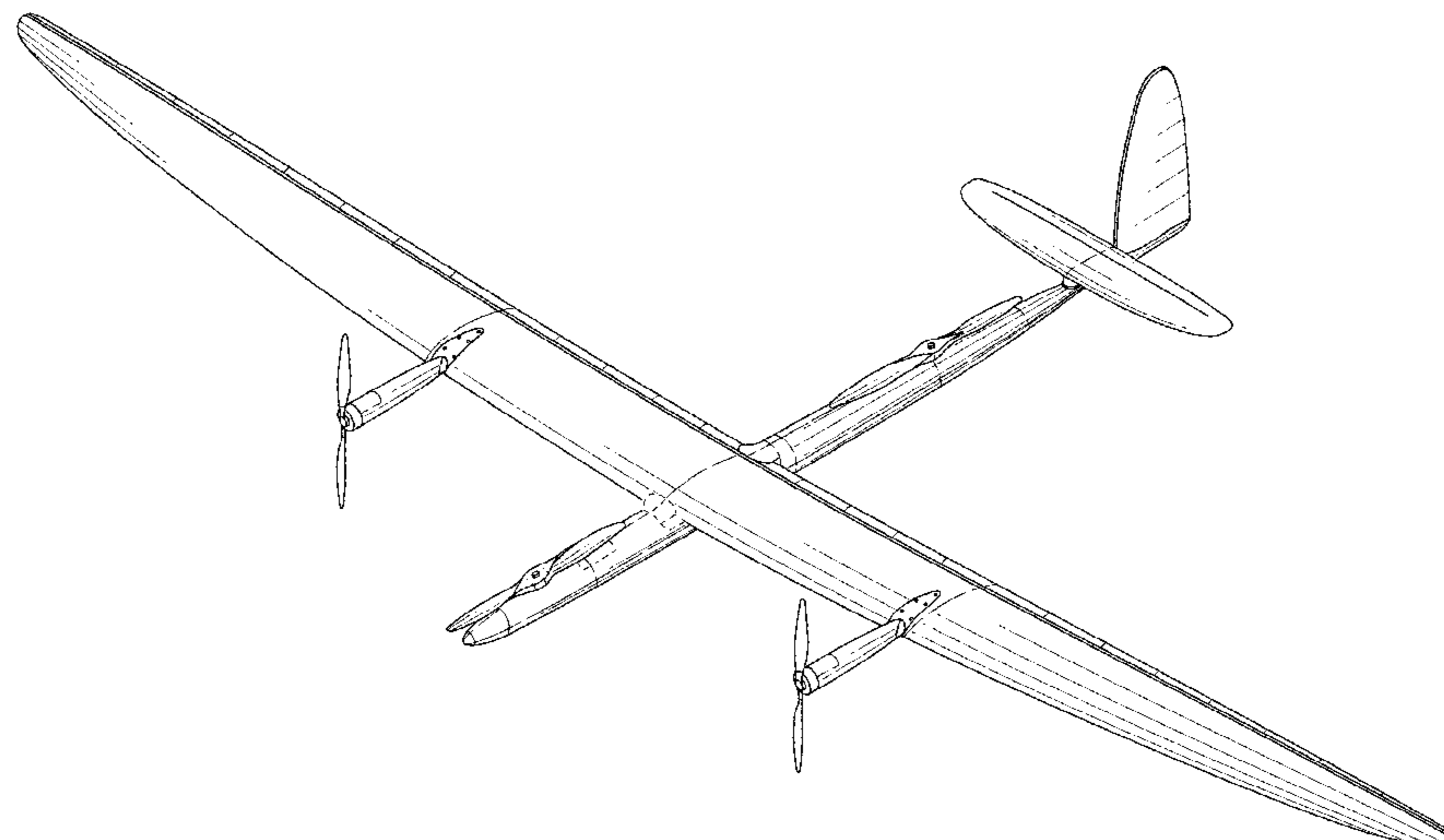
1.5: Back

1.6: Right (Enlarged)

1.7: Left (Enlarged)

Broken lines are used in the drawings to illustrate features of
the wind power generator that form no part of the claimed
design.

1 Claim, 7 Drawing Sheets



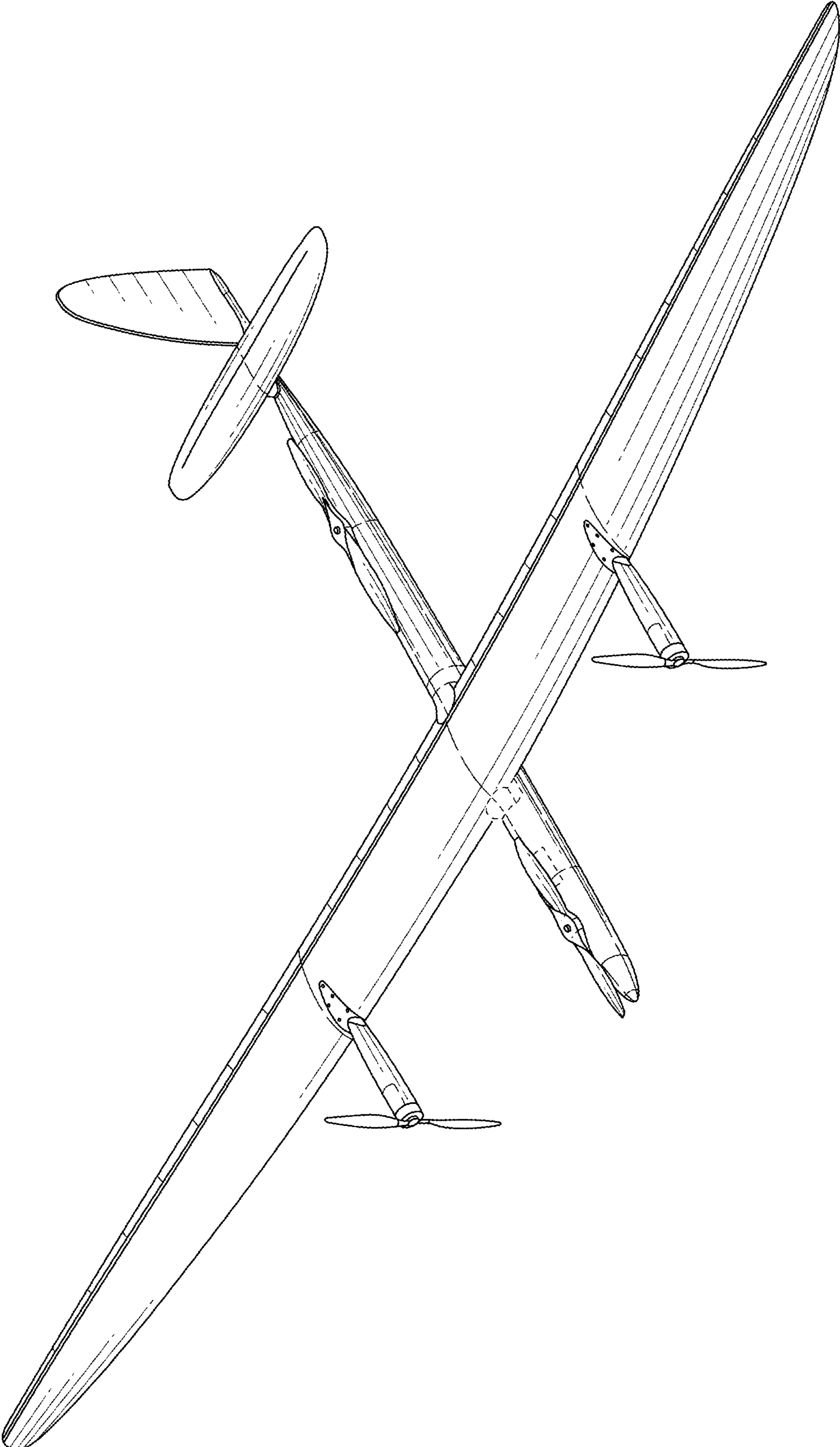
(56)

References Cited

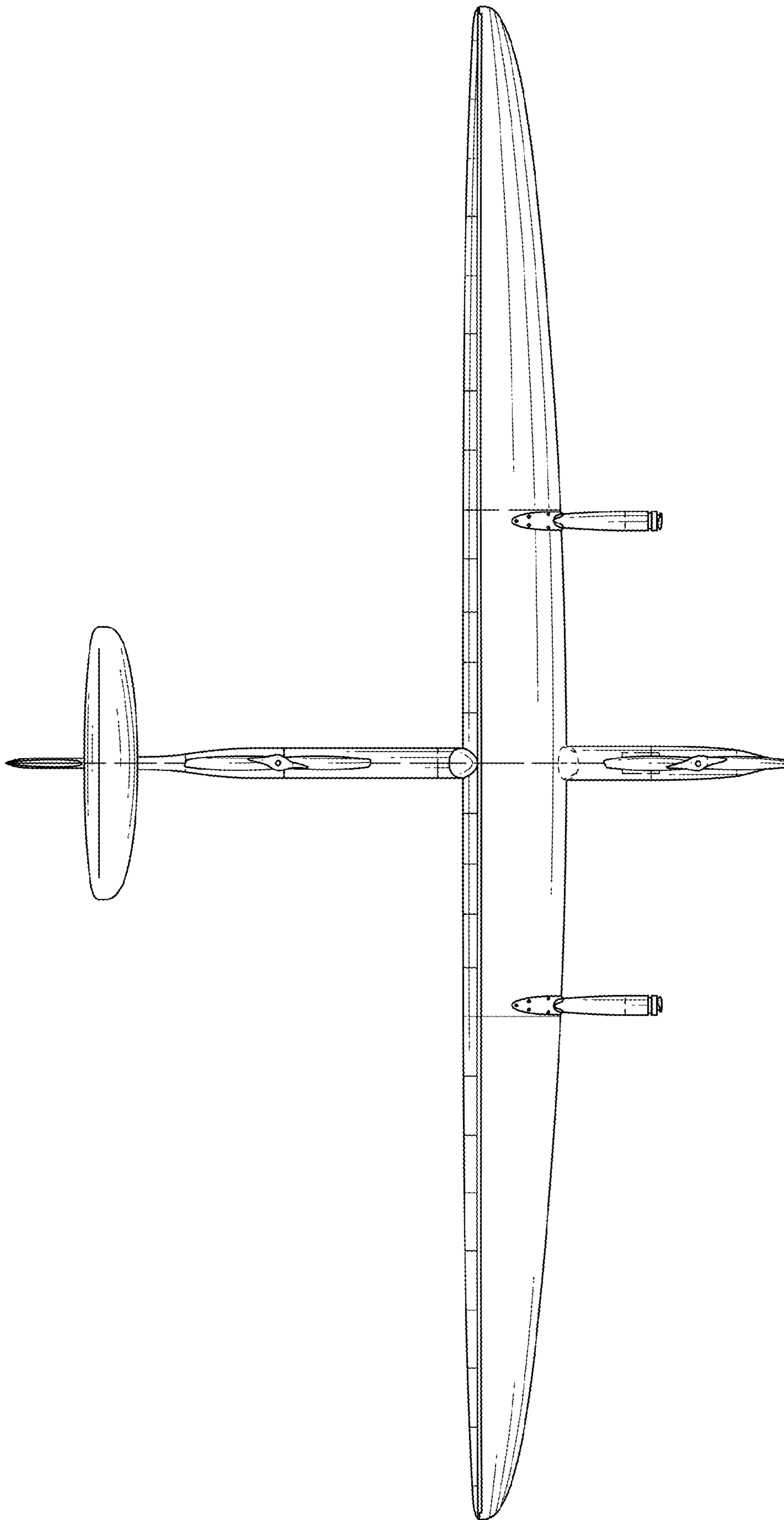
U.S. PATENT DOCUMENTS

2018/0198349 A1* 7/2018 Sartorius H02K 7/1838

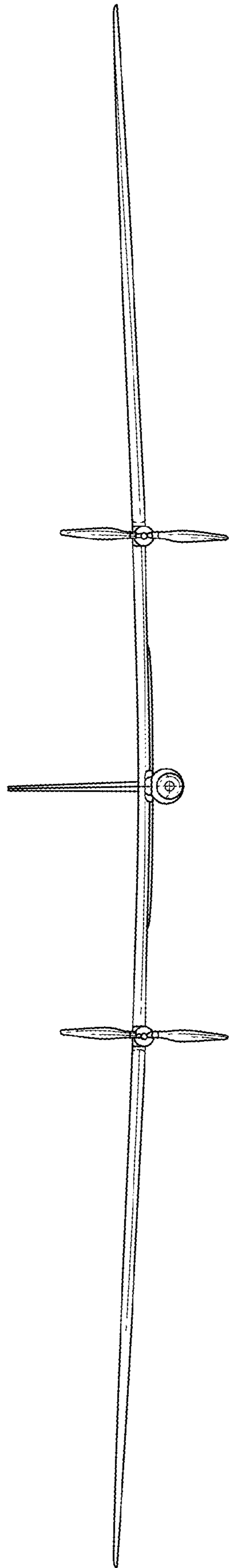
* cited by examiner



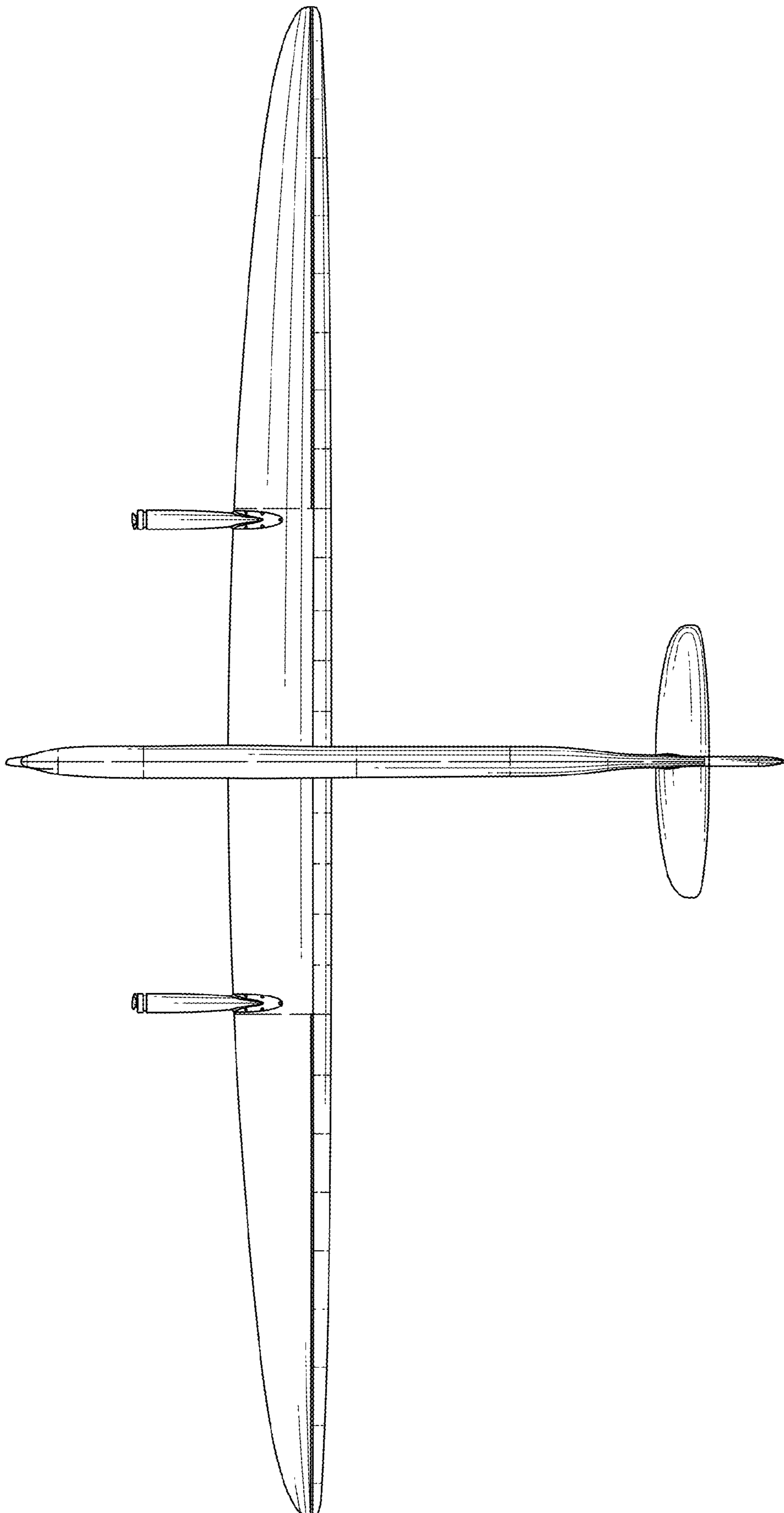
1.1



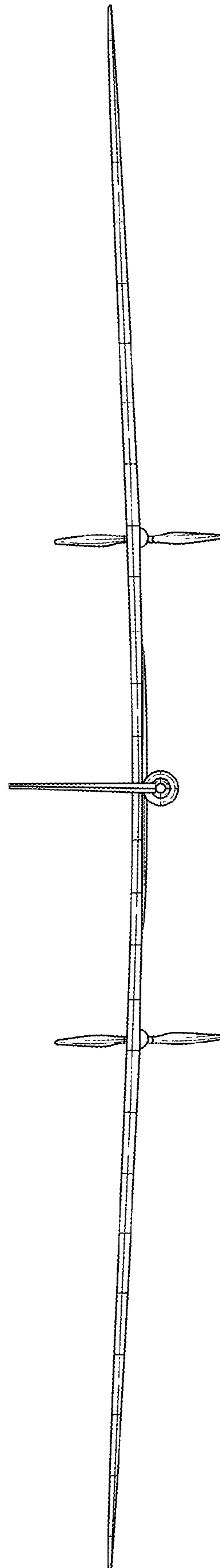
1.2



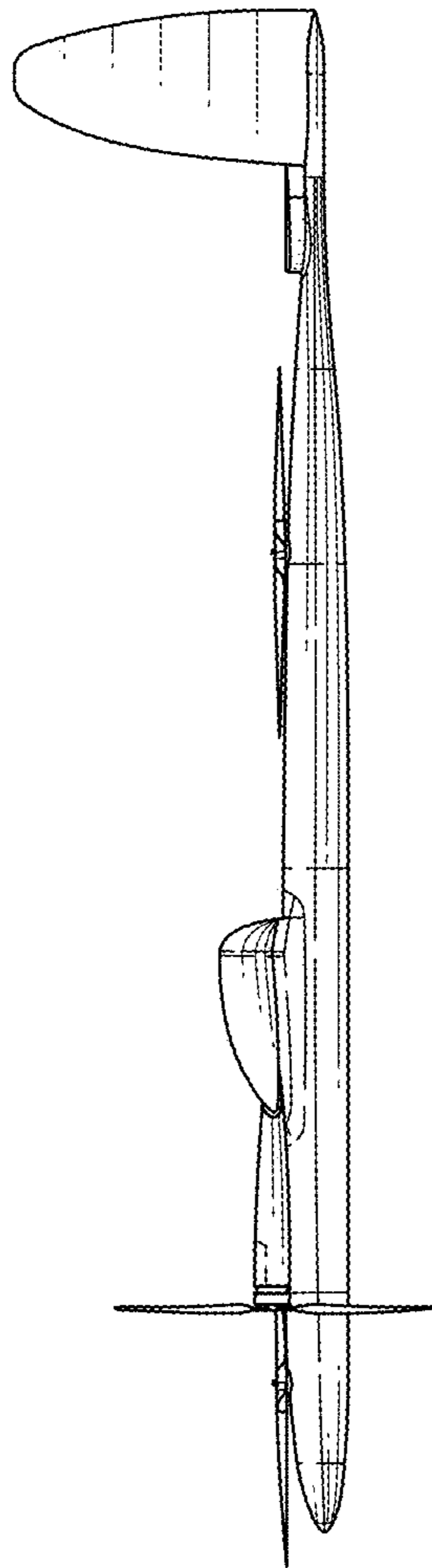
1.3



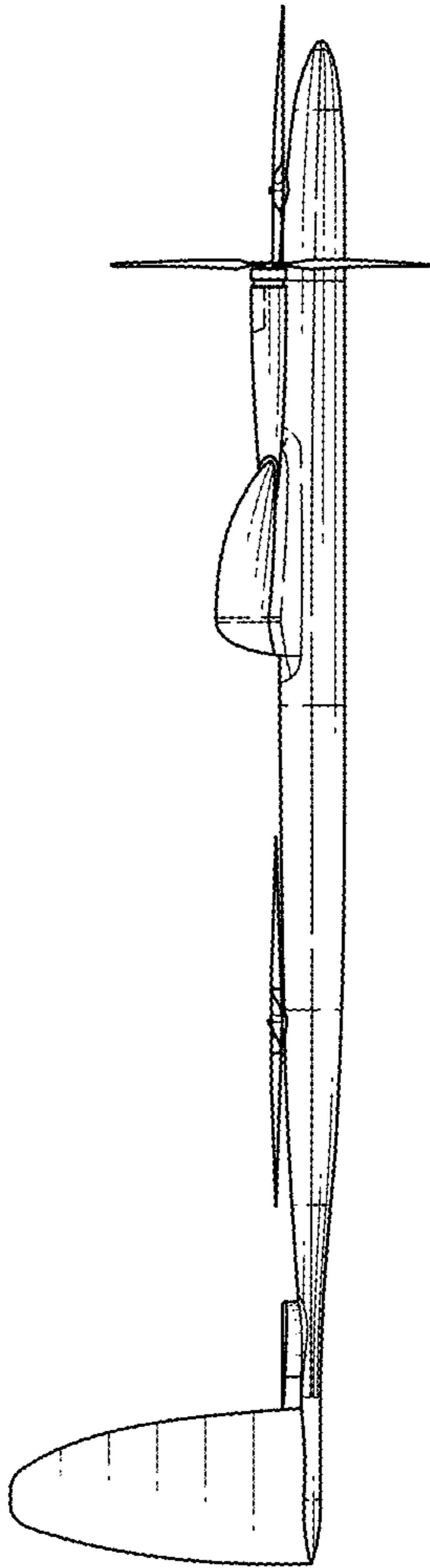
1.4



1.5



1.6



1.7