



US00D908613S

(12) **United States Design Patent**  
**Geyer et al.**

(10) **Patent No.:** **US D908,613 S**

(45) **Date of Patent:** **\*\* Jan. 26, 2021**

(54) **BATTERY CHARGING CASE FOR MOBILE DEVICES**

(71) Applicant: **Pocket Sky OG**, Vienna (AT)

(72) Inventors: **Michael Geyer**, Vienna (AT); **Mark Wallerberger**, Vienna (AT)

(73) Assignee: **Pocket Sky OG**, Vienna (AT)

(\*\*) Term: **15 Years**

(21) Appl. No.: **35/507,876**

(22) Filed: **Aug. 21, 2019**

(80) **Hague Agreement Data**

Int. Filing Date: **Aug. 21, 2019**

Int. Reg. No.: **DM/204265**

Int. Reg. Date: **Aug. 21, 2019**

Int. Reg. Pub. Date: **Nov. 29, 2019**

(51) **LOC (13) Cl.** ..... **13-02**

(52) **U.S. Cl.**  
USPC ..... **D13/107**

(58) **Field of Classification Search**  
USPC ..... D13/107, 108, 103; D14/434  
CPC ..... H02J 7/0042; B60R 16/04  
See application file for complete search history.

(56) **References Cited**

**U.S. PATENT DOCUMENTS**

D409,170 S \* 5/1999 Ota ..... D13/107  
D414,459 S \* 9/1999 Oba ..... D13/107  
6,854,543 B2\* 2/2005 Rowley ..... B60R 16/04  
180/68.5

D512,686 S \* 12/2005 Langley ..... D13/107  
D571,288 S \* 6/2008 Tanaka ..... D13/103  
D583,315 S \* 12/2008 Kujawski ..... D13/107  
D594,404 S \* 6/2009 Kuo ..... D13/107  
D607,403 S \* 1/2010 Hara ..... D13/107  
7,746,029 B2\* 6/2010 Toya ..... H02J 7/0042  
320/107  
D636,395 S \* 4/2011 Anderson ..... D14/434  
D639,810 S \* 6/2011 Hwang ..... D14/434  
D649,551 S \* 11/2011 Hwang ..... D14/434  
D685,320 S \* 7/2013 Murchison ..... D13/107  
D709,445 S \* 7/2014 Yeh ..... D13/107  
D721,649 S \* 1/2015 Tsai ..... D13/108  
D769,815 S \* 10/2016 Ohno ..... D13/107  
D833,389 S \* 11/2018 Dunham ..... D13/108  
D886,057 S \* 6/2020 Yum ..... D13/108

\* cited by examiner

*Primary Examiner* — Rhea Shields

(74) *Attorney, Agent, or Firm* — Collard & Roe, P.C.

(57) **CLAIM**

The ornamental design for a battery charging case for mobile devices, as shown and described.

**DESCRIPTION**

1. Battery charging case for mobile devices

1.1 : Back

1.2 : Left

1.3 : Front

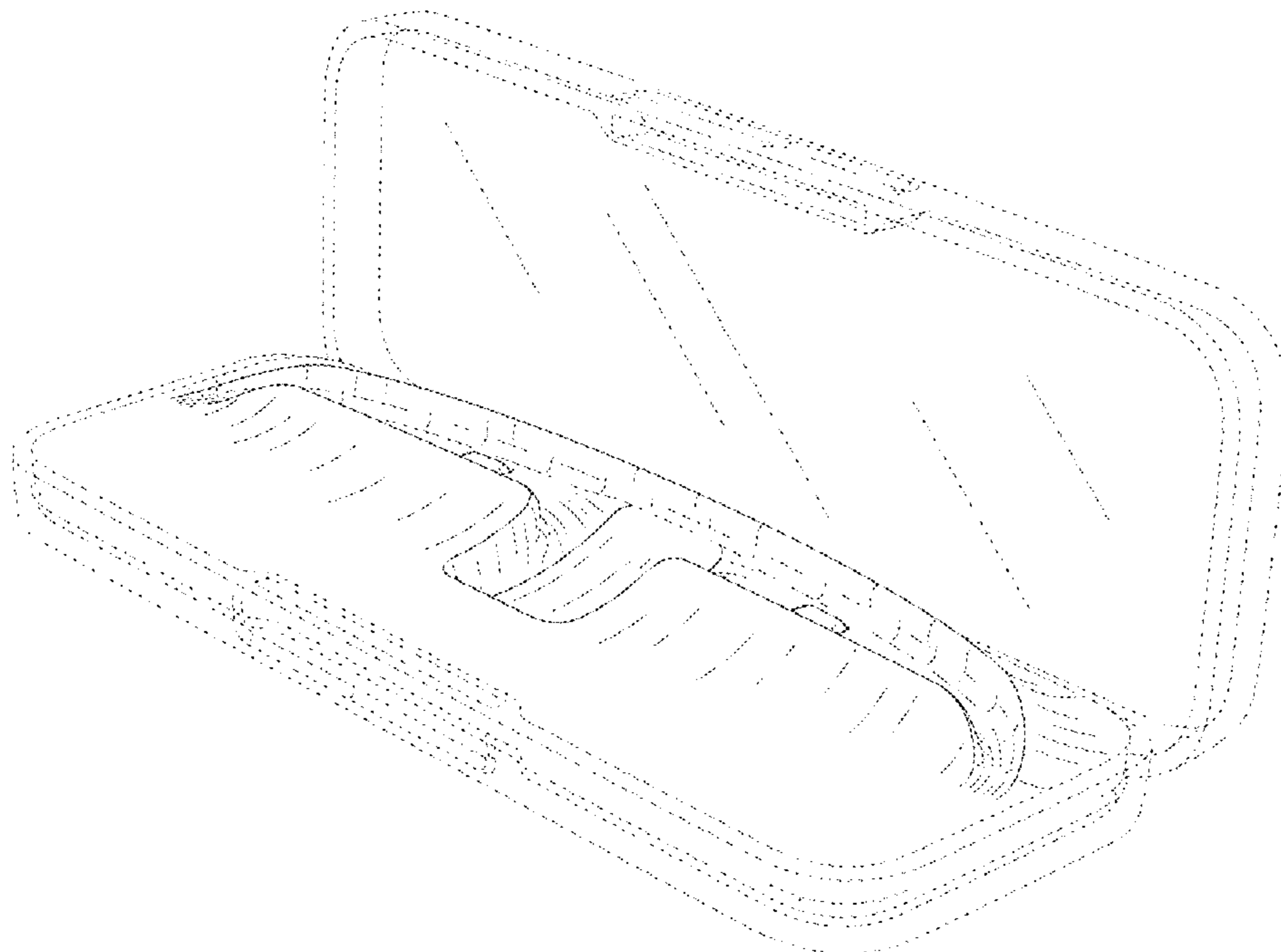
1.4 : Top

1.5 : Perspective

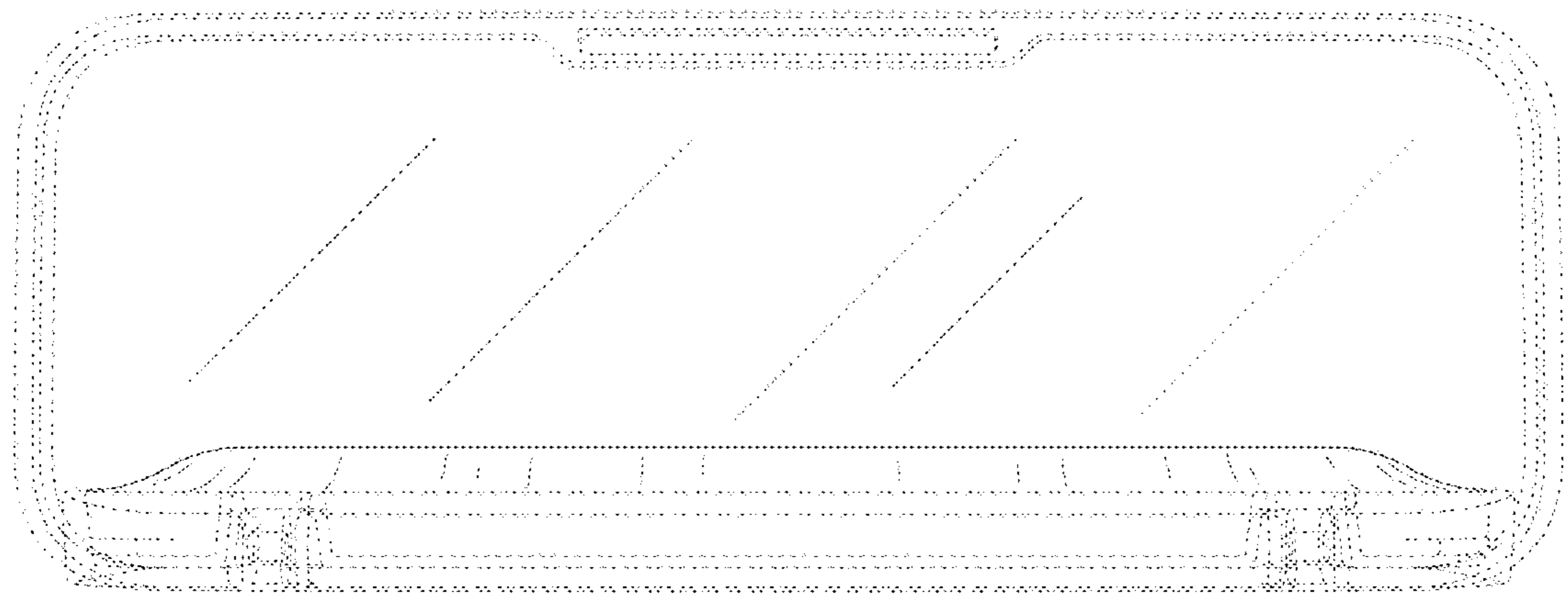
1.6 : Right

In the reproductions, the broken lines are for the purpose of illustrating portions of the battery charging case for mobile devices that forms no part of the claimed design.

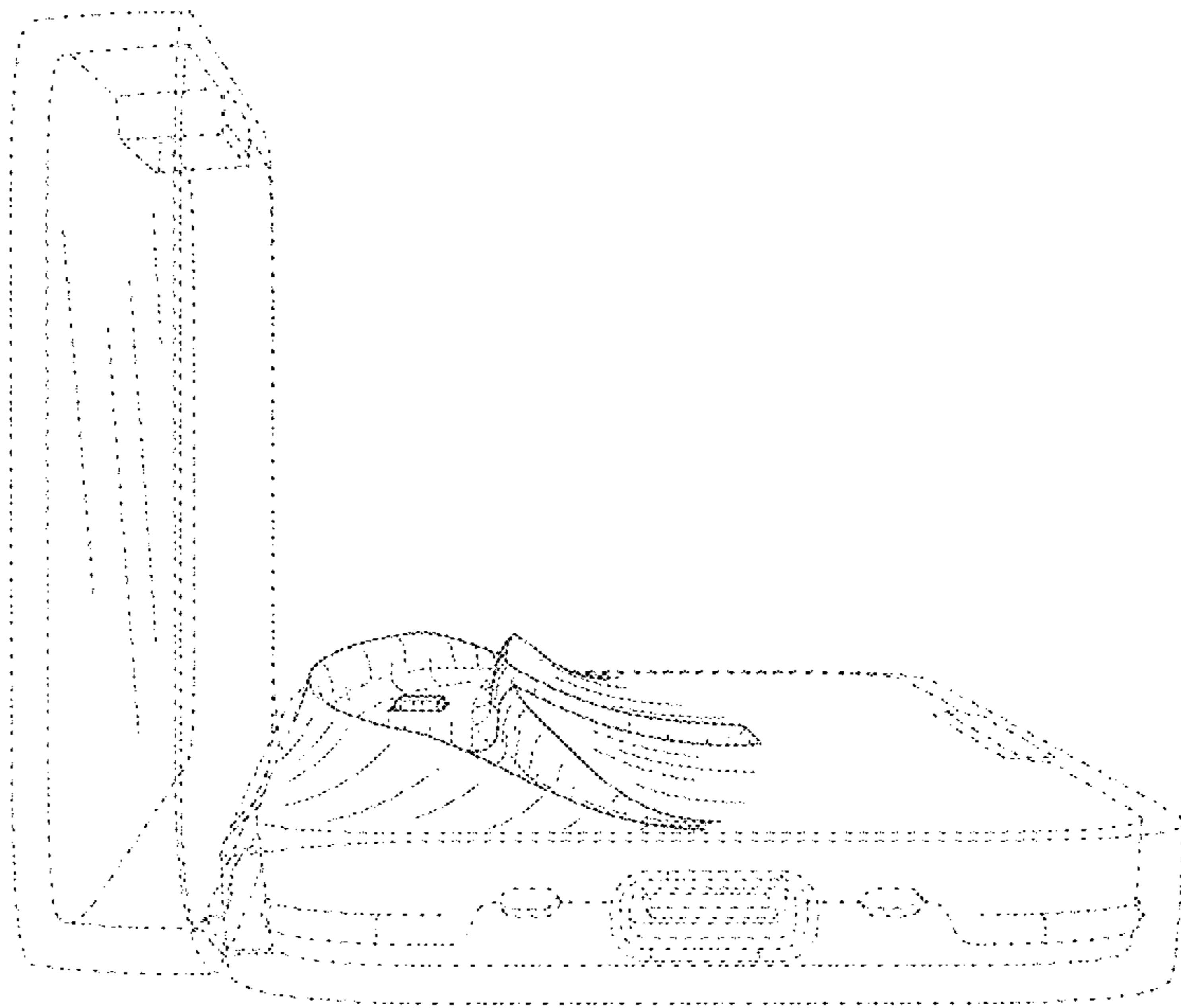
**1 Claim, 6 Drawing Sheets**



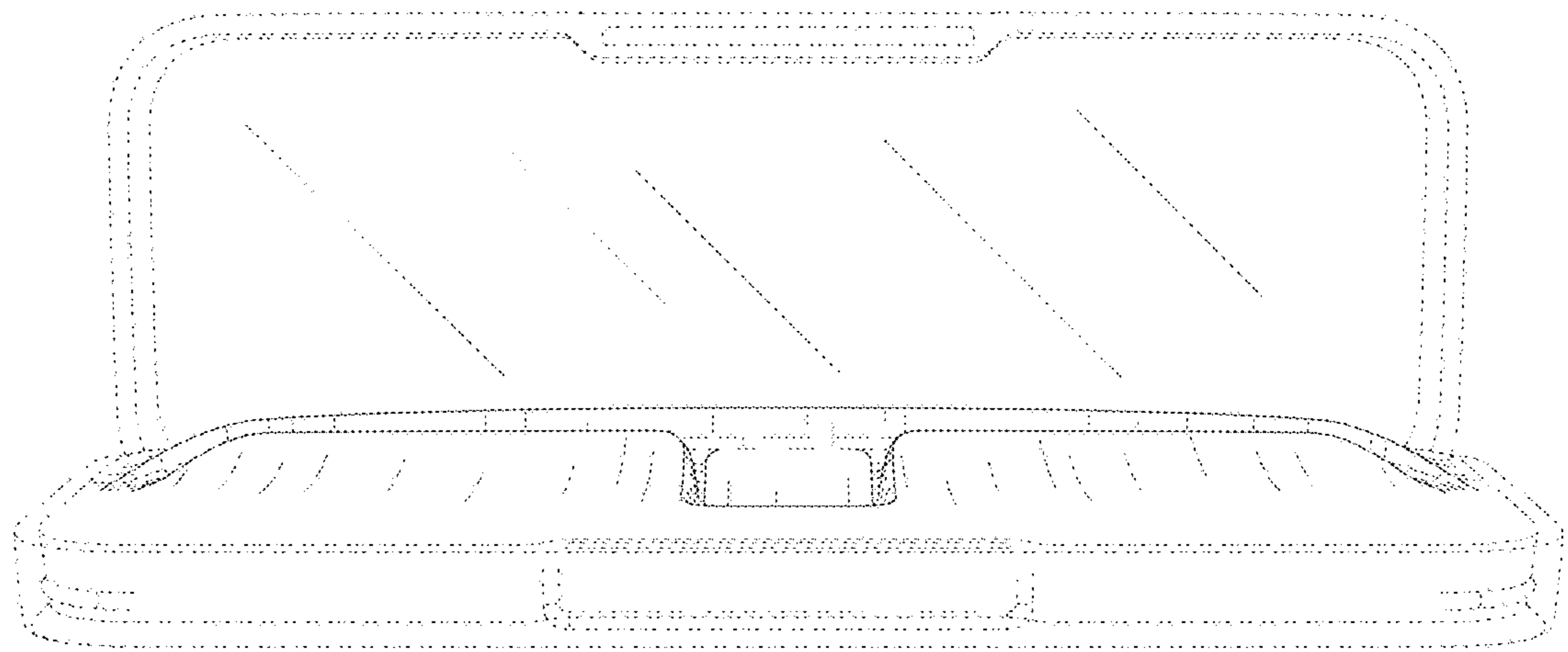
1.1



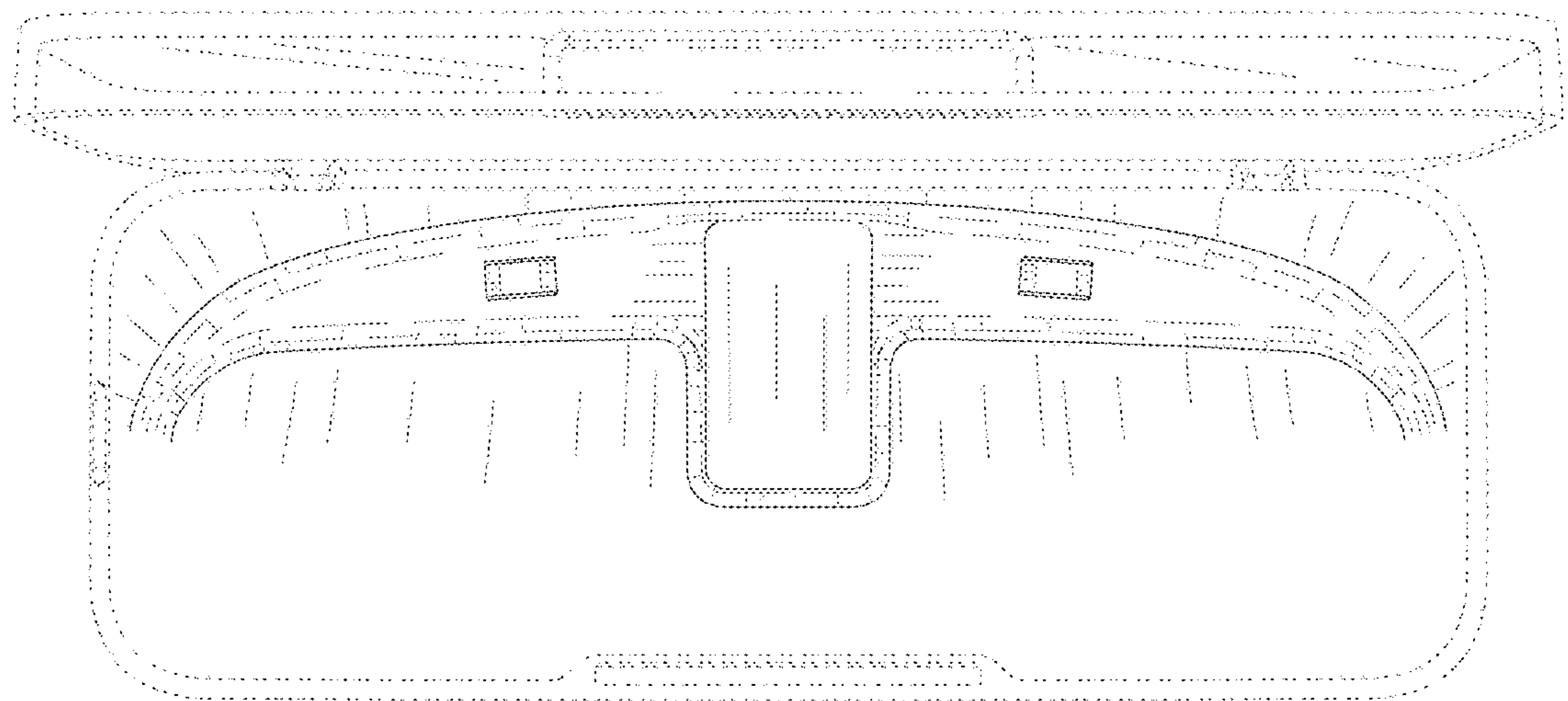
1.2



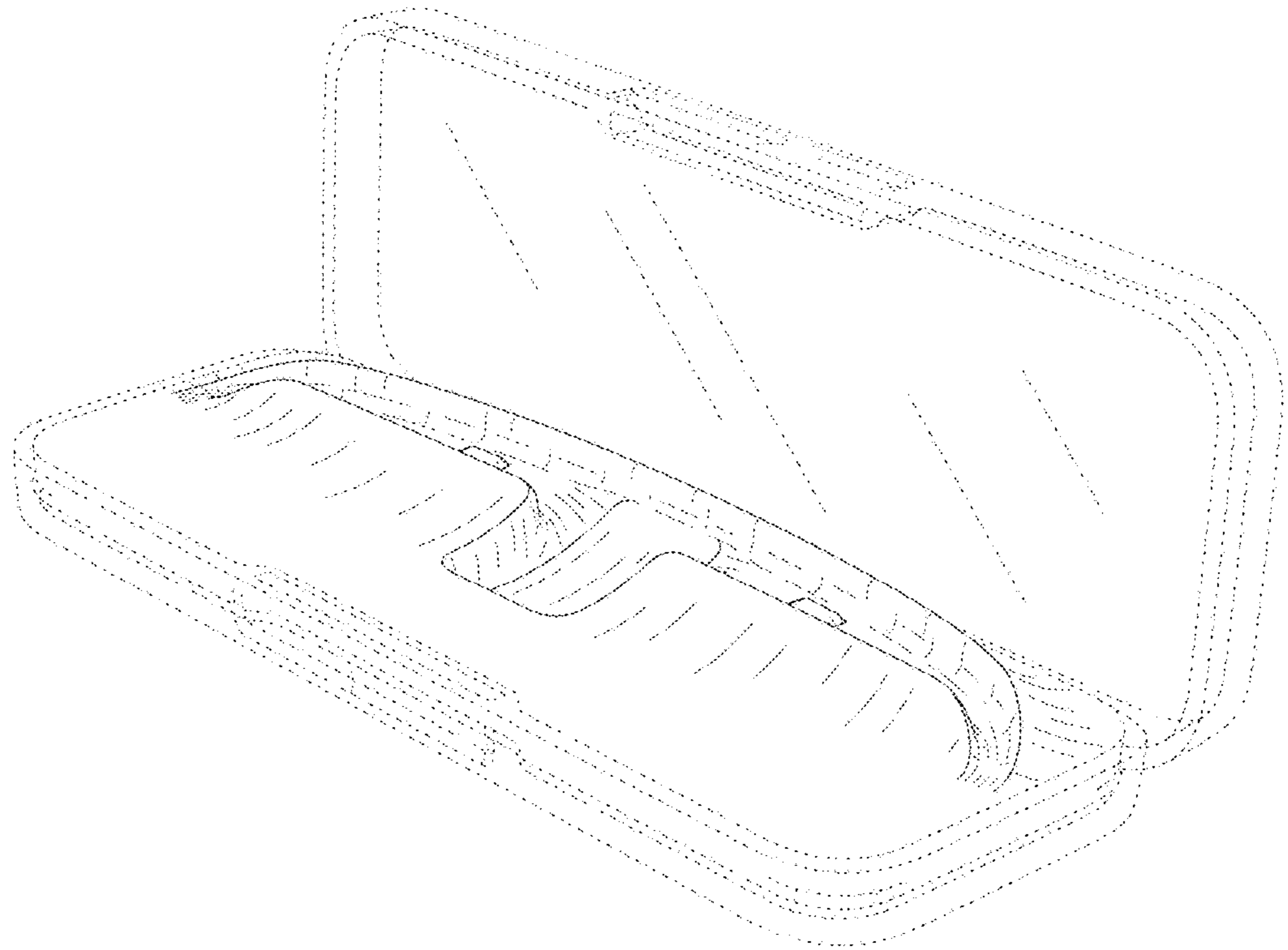
1.3



1.4



1.5



1.6

