



US00D908611S

(12) **United States Design Patent**
Song

(10) **Patent No.:** **US D908,611 S**

(45) **Date of Patent:** **** Jan. 26, 2021**

(54) **CHARGER**

(71) Applicant: **Globe (Jiangsu) Co., Ltd., Jiangsu (CN)**

(72) Inventor: **Titi Song, Changzhou (CN)**

(73) Assignee: **Globe (Jiangsu) Co., Ltd., Jiangsu (CN)**

(**) Term: **15 Years**

(21) Appl. No.: **29/644,507**

(22) Filed: **Apr. 18, 2018**

(30) **Foreign Application Priority Data**

Oct. 18, 2017 (CN) 2017 3 0497088

(51) **LOC (13) Cl.** **13-02**

(52) **U.S. Cl.**
USPC **D13/107**

(58) **Field of Classification Search**
USPC D13/107-110, 118-119, 184; D14/251, D14/253, 432, 434
CPC Y02E 60/12; Y02T 90/14; Y02T 90/122; Y02T 90/128; Y02T 90/163; H02J 7/025; H02J 7/0042; H02J 7/0044; H02J 7/0045; H02J 7/0013; H02J 7/0003; H01F 38/14; H01M 2/1022; H01M 2/1055; H01M 10/44; H01M 10/46; H01M 10/425; B60L 11/182; H01R 13/6675
See application file for complete search history.

(56) **References Cited**

U.S. PATENT DOCUMENTS

D414,742 S * 10/1999 Chang D13/107
D442,140 S * 5/2001 Kasuya D13/107

D460,412 S * 7/2002 Nawrozki D13/107
D461,447 S * 8/2002 Nawrozki D13/107
D472,875 S * 4/2003 Garvis D13/107
D507,234 S * 7/2005 Heun D13/107
D507,525 S * 7/2005 Heun D13/107
D573,089 S * 7/2008 Mandel D13/107
D605,111 S * 12/2009 Schoch D13/107
D633,037 S * 2/2011 Tschopp D13/107
D635,917 S * 4/2011 Okuda D13/107
D654,018 S 2/2012 Conley et al.
D668,219 S 10/2012 Zhao et al.
D711,314 S * 8/2014 Marino D13/107
D770,377 S 11/2016 Kondo
D840,926 S * 2/2019 Howell D13/107

* cited by examiner

Primary Examiner — Nathaniel D. Buckner

(74) *Attorney, Agent, or Firm* — Rooney IP, LLC

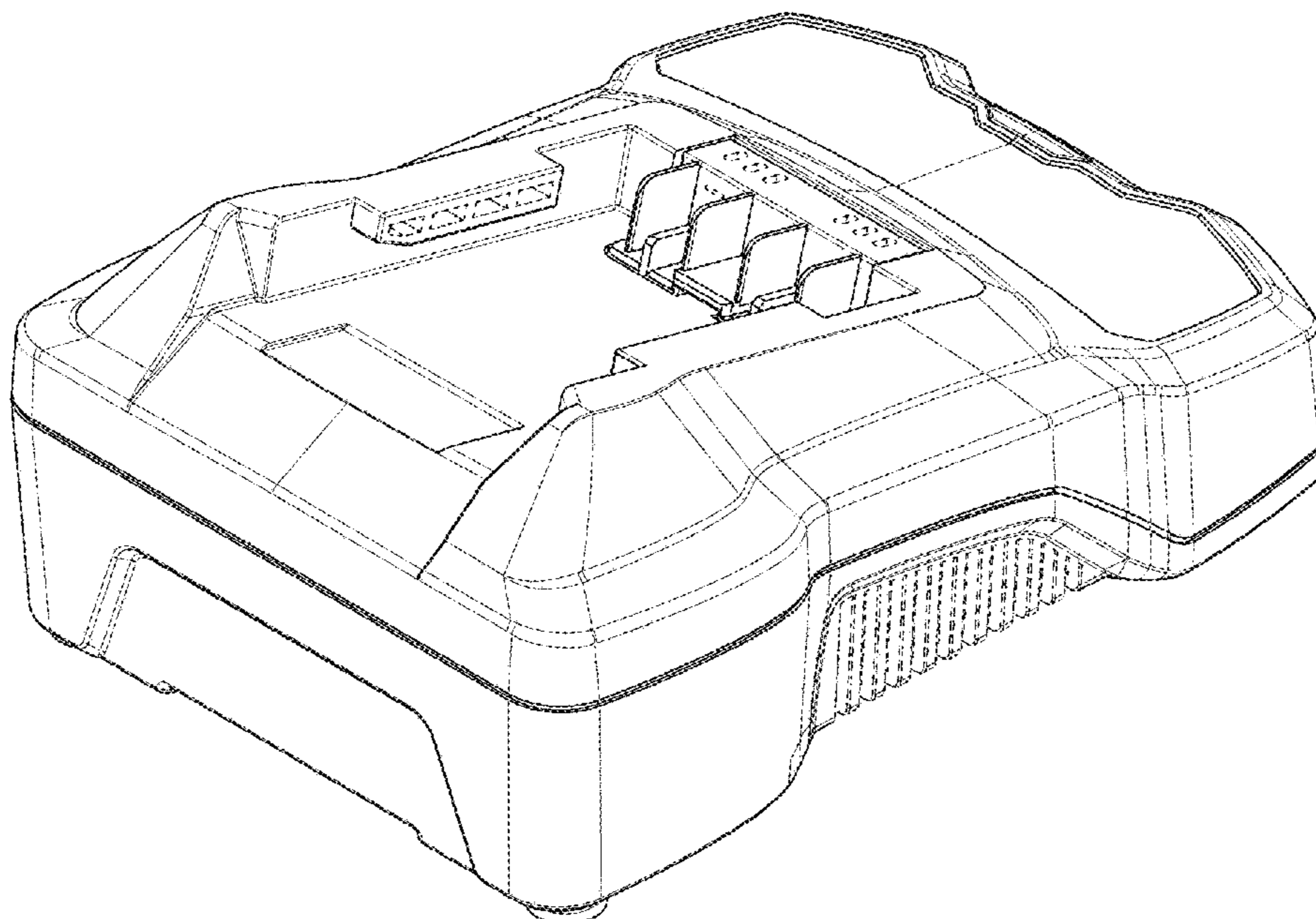
(57) **CLAIM**

The ornamental design for a charger, therefor as shown and described.

DESCRIPTION

FIG. 1 is front isometric view of a charger according to the present invention.
FIG. 2 is a rear isometric view thereof.
FIG. 3 is a front view thereof.
FIG. 4 is a right side view thereof.
FIG. 5 is a rear view thereof.
FIG. 6 is a left side view thereof.
FIG. 7 is a top view thereof; and,
FIG. 8 is a bottom view thereof.
The broken lines in the figures depict portions of the charger which form no part of the claimed design.

1 Claim, 8 Drawing Sheets



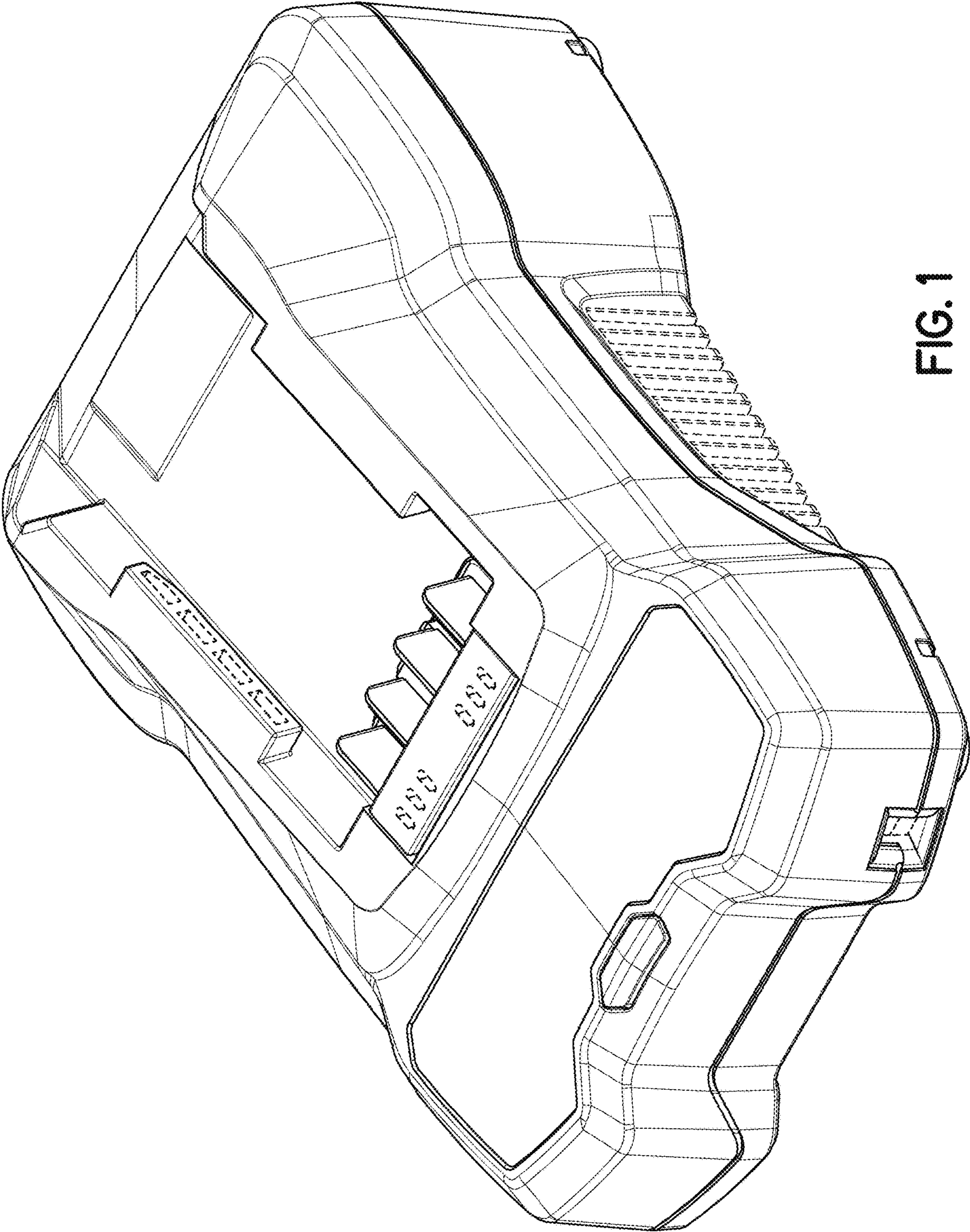


FIG. 1

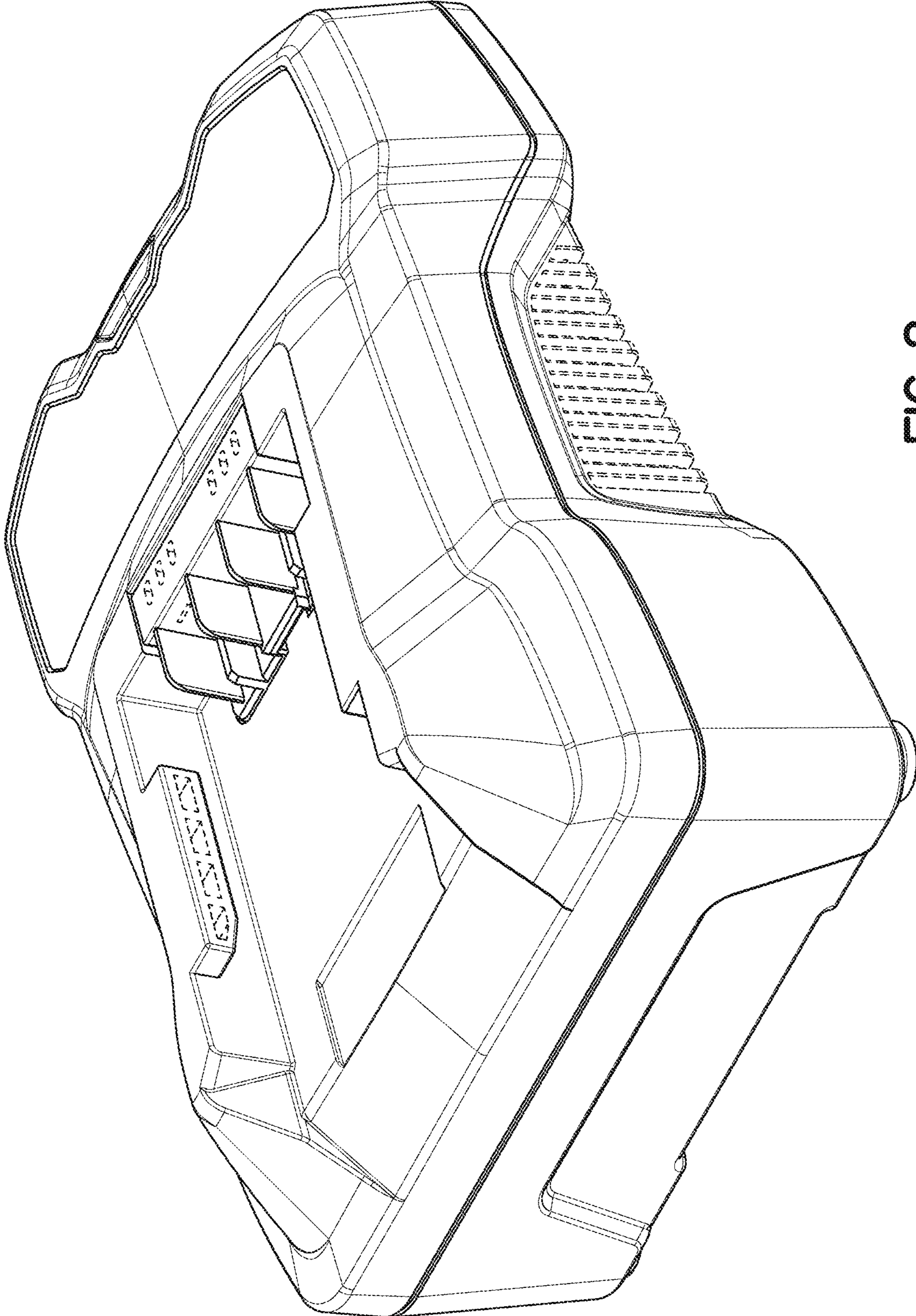


FIG. 2

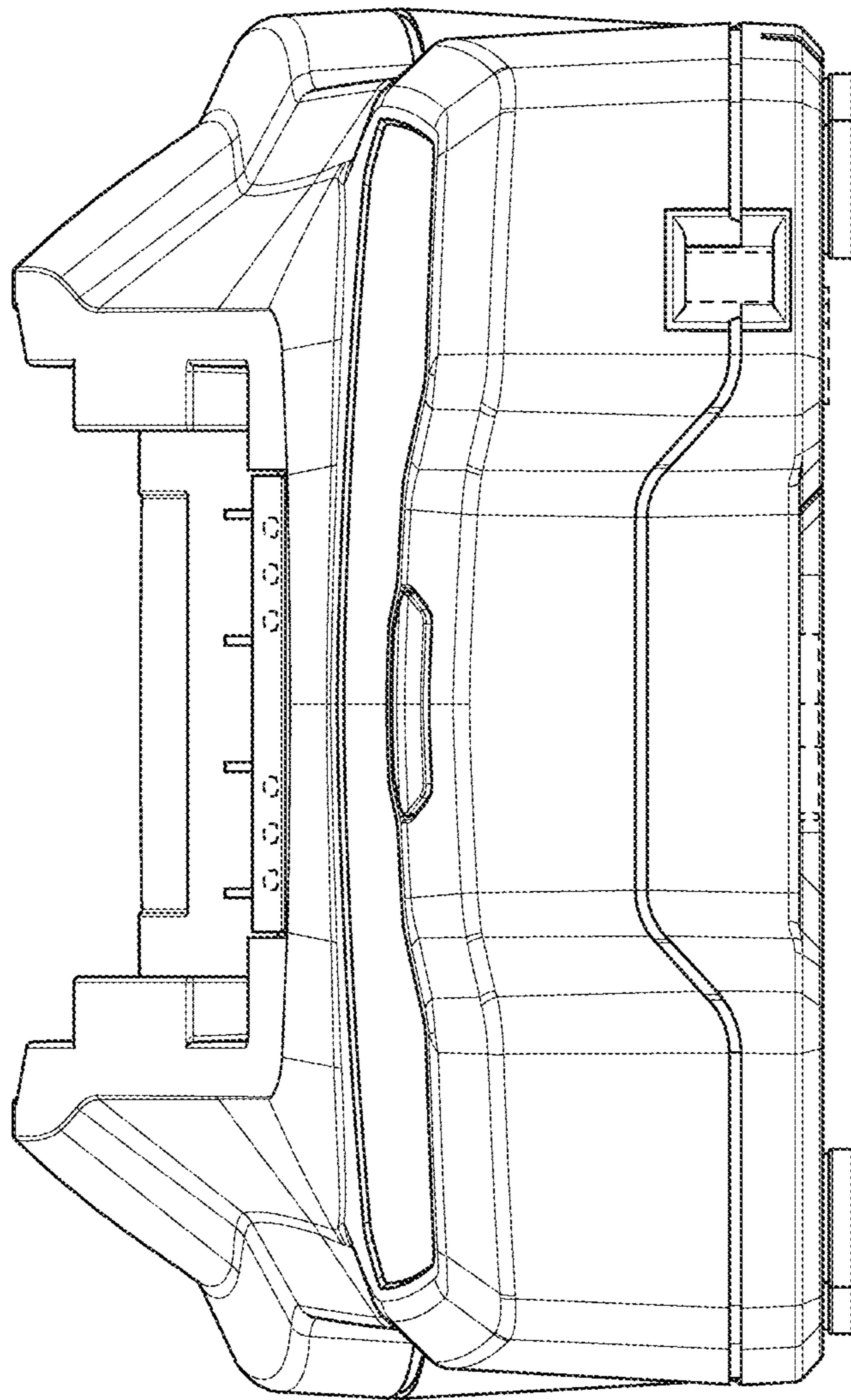


FIG. 3

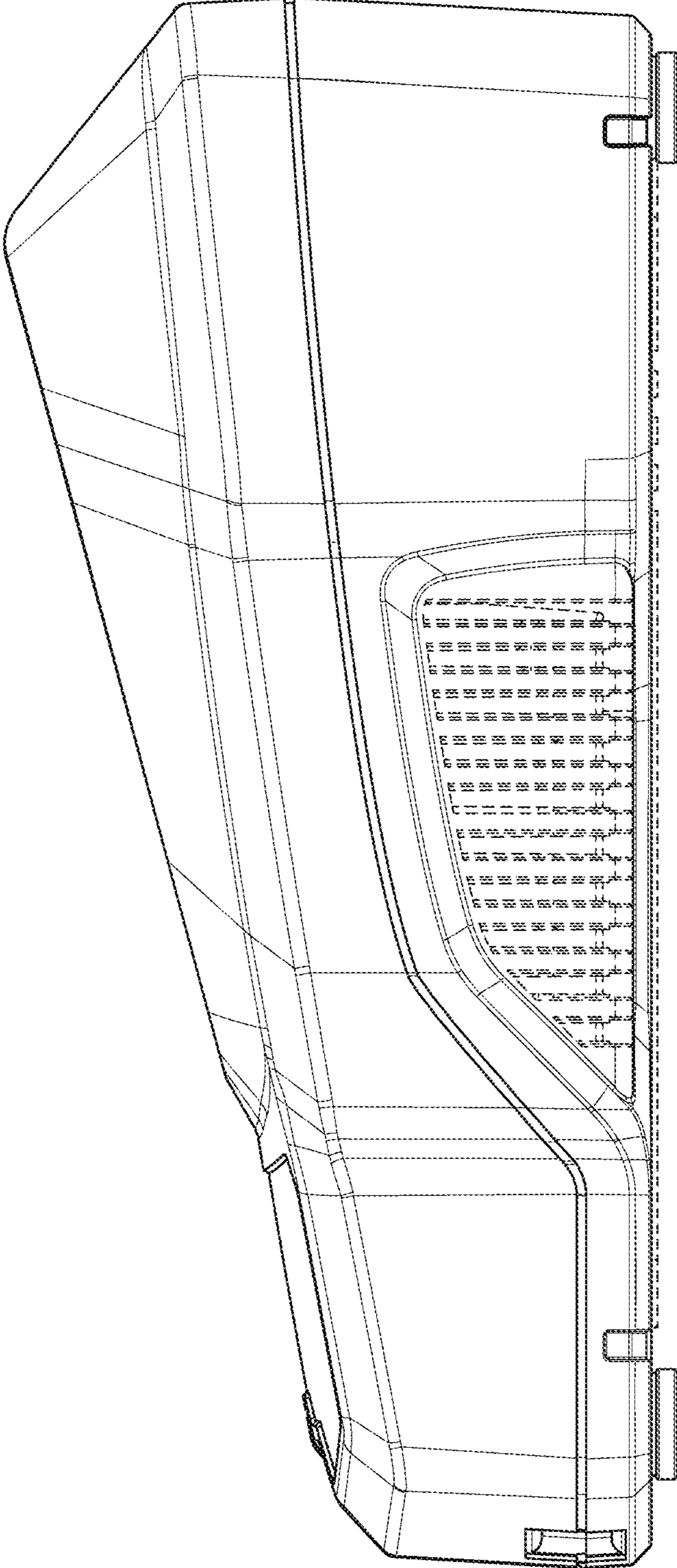


FIG. 4

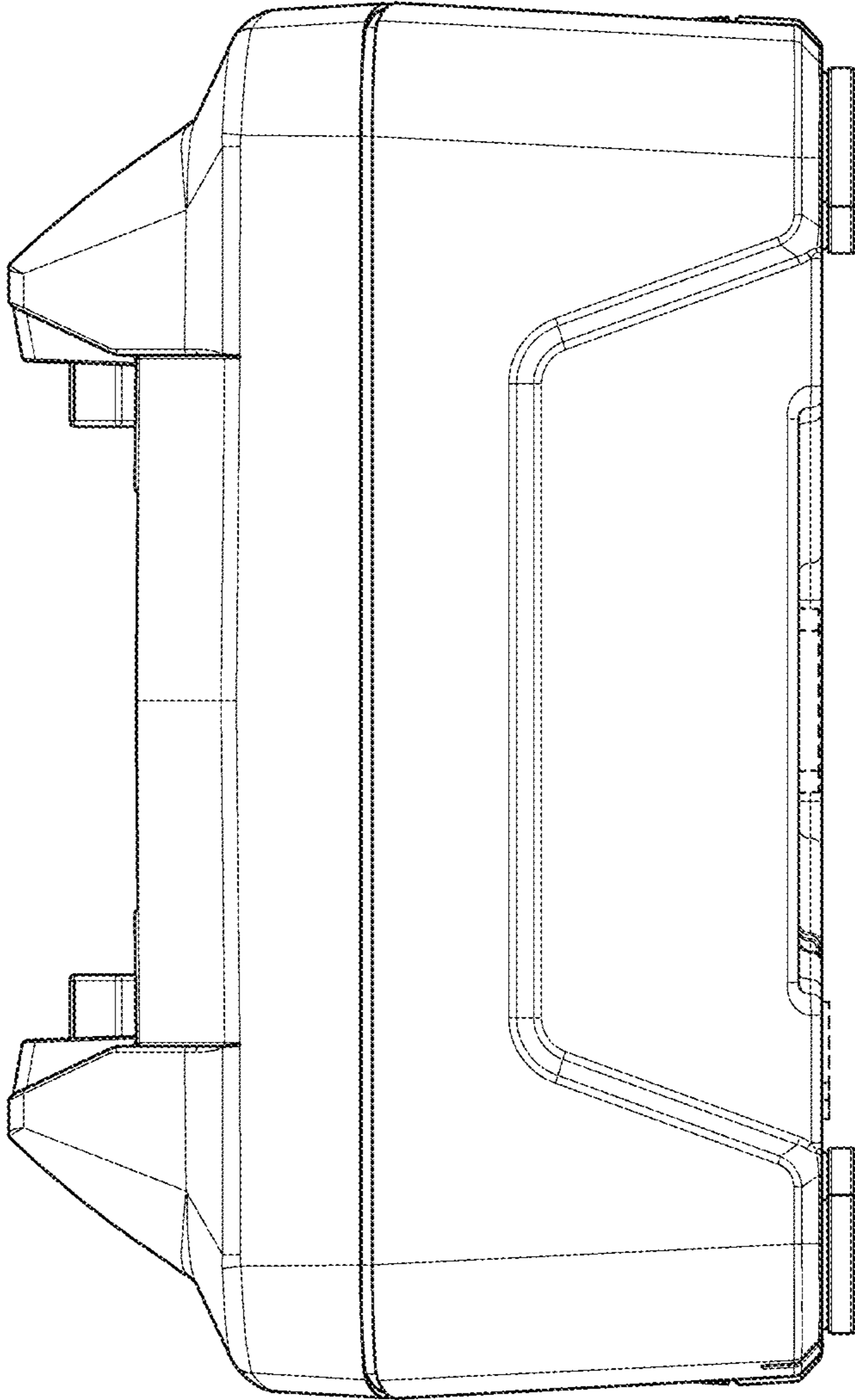


FIG. 5

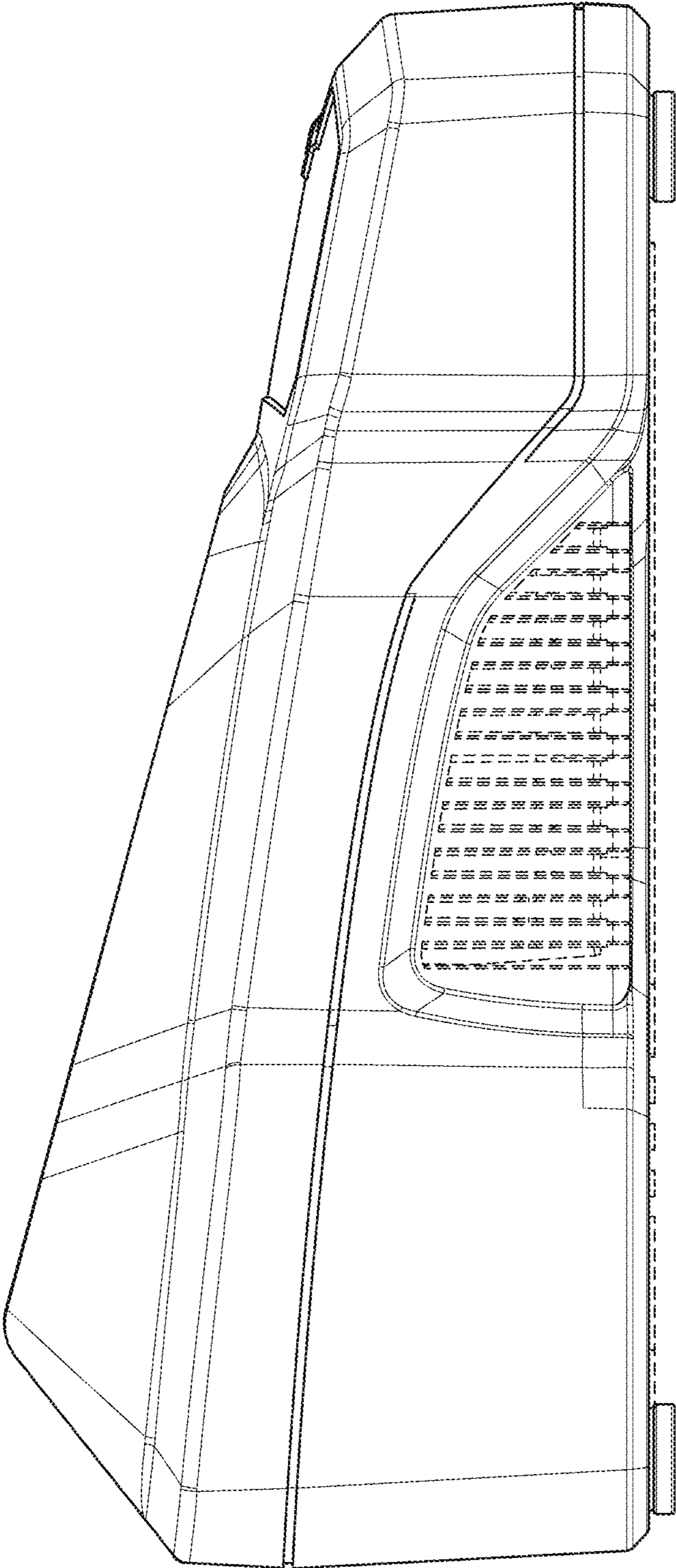


FIG. 6

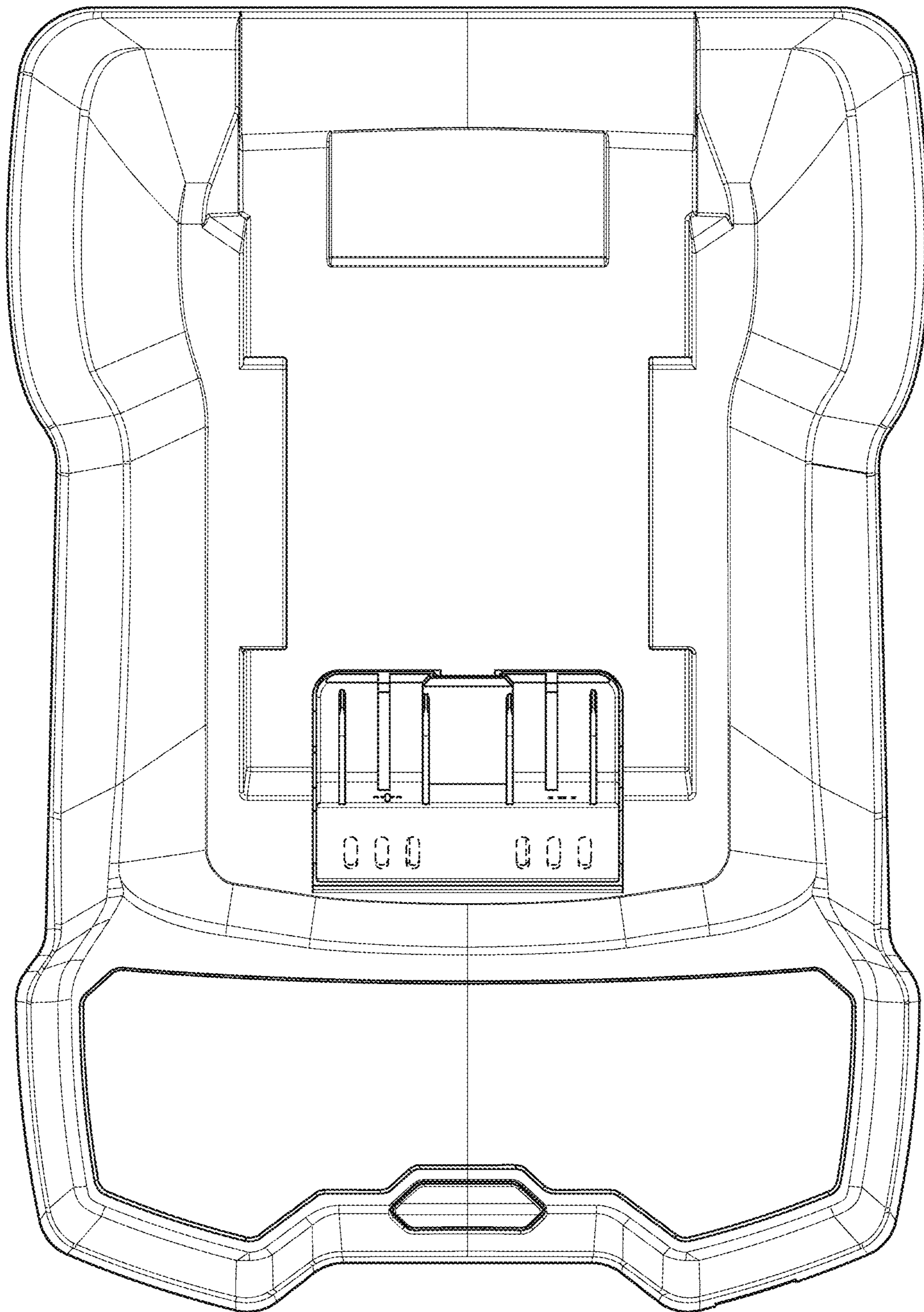


FIG. 7

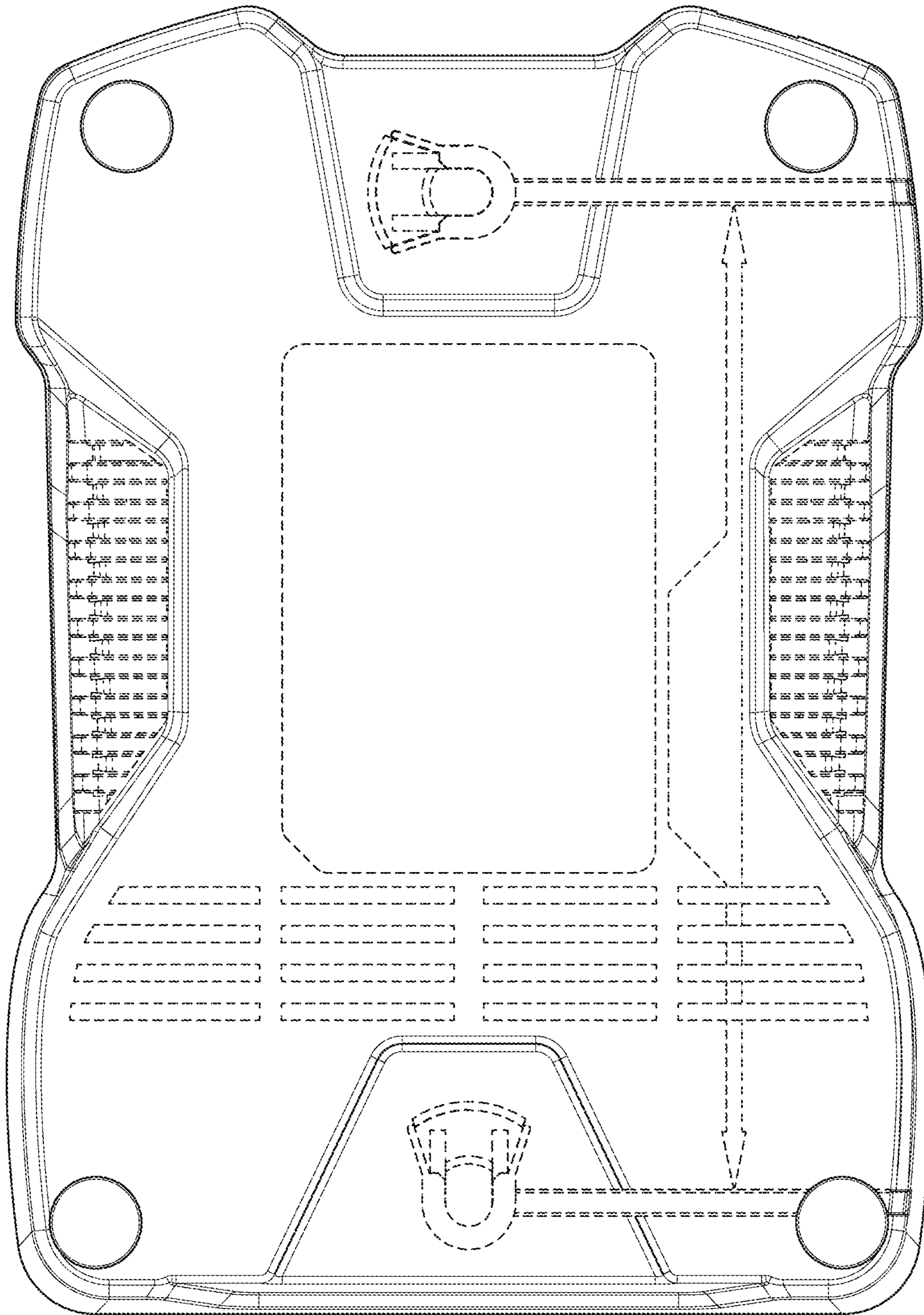


FIG. 8