



US00D908609S

(12) **United States Design Patent**
Zhu

(10) **Patent No.:** **US D908,609 S**

(45) **Date of Patent:** **** Jan. 26, 2021**

(54) **SOLAR PANEL**

(71) Applicant: **SHENZHEN CHUYA TRADING CO., LTD.**, Shenzhen (CN)

(72) Inventor: **Wujun Zhu**, Xianning (CN)

(73) Assignee: **SHENZHEN CHUYA TRADING CO., LTD.**, Shenzhen (CN)

(**) Term: **15 Years**

(21) Appl. No.: **29/741,818**

(22) Filed: **Jul. 16, 2020**

(51) **LOC (13) Cl.** **13-02**

(52) **U.S. Cl.**
USPC **D13/102**

(58) **Field of Classification Search**
USPC D13/102, 101, 103, 107, 108, 184, 199;
D26/63, 67, 68, 71, 72
CPC H01L 31/00; H01L 31/18; H01L 31/042;
H01L 31/045; H01L 31/048; H01L 31/052;
H01L 31/054; H01L 31/0475; H01L 31/0485;
H01M 10/052; H01M 10/465; H02S 30/10; H02S 30/20; H02S 10/40;
H02S 40/42; Y02E 10/50; Y02E 10/52; Y10S 136/291;
Y10S 136/293; H02J 7/355; G06F 1/1628; F21S 8/006
See application file for complete search history.

(56) **References Cited**

U.S. PATENT DOCUMENTS

D311,722 S * 10/1990 Cheng D13/102
D471,307 S 3/2003 Yung

D495,083 S * 8/2004 Lam D26/63
D533,675 S * 12/2006 Didier D26/67
D610,536 S * 2/2010 Brumels D13/102
D618,166 S * 6/2010 Sanoner D13/102
D848,046 S * 5/2019 Zhuo D26/67
D865,256 S * 10/2019 Zou D26/71
D884,246 S 5/2020 Tang et al.
2019/0101265 A1* 4/2019 Steele F21V 17/06

* cited by examiner

Primary Examiner — Derrick E Holland

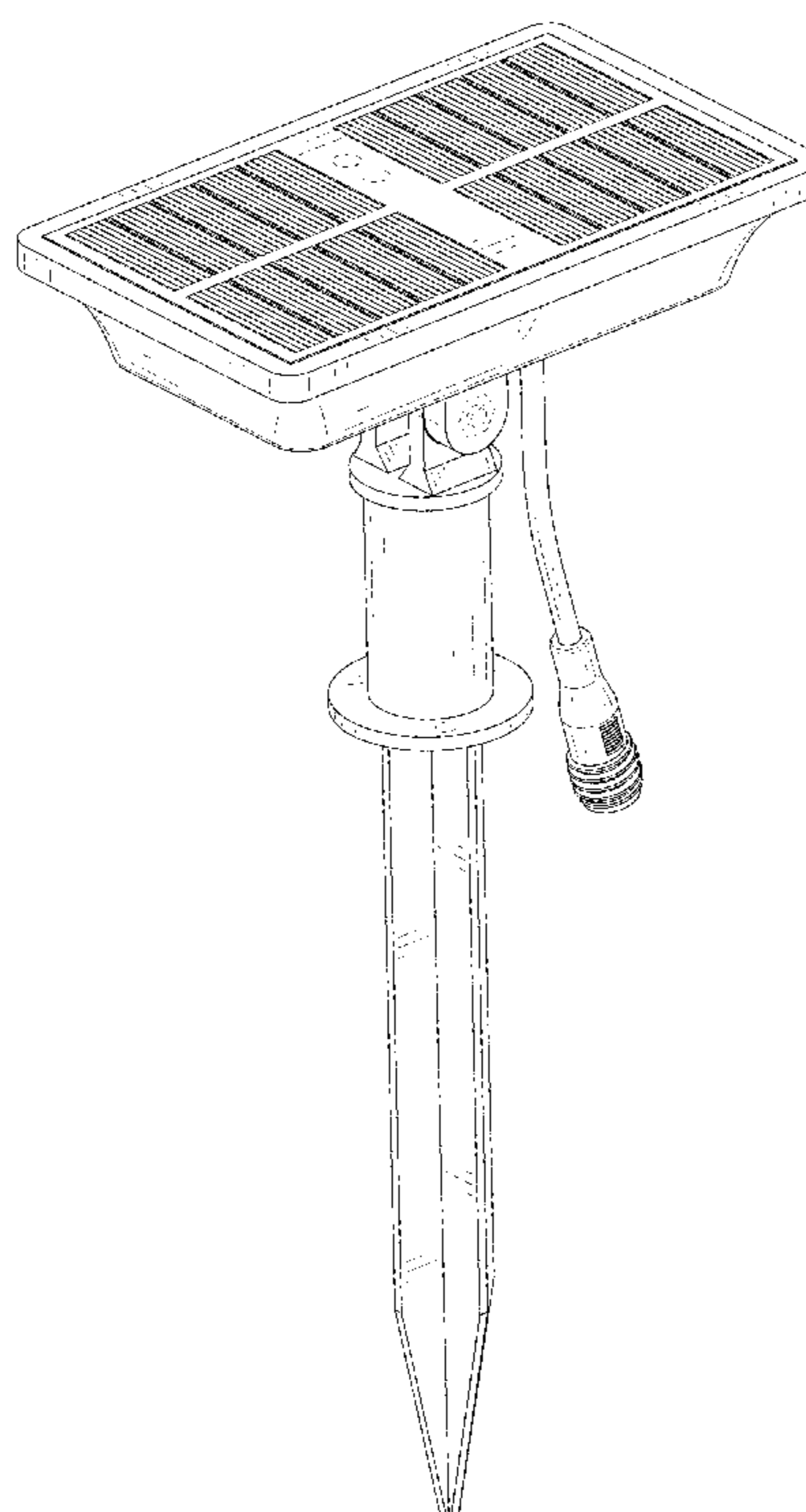
(57) **CLAIM**

The ornamental design for a solar panel, as shown and described.

DESCRIPTION

FIG. 1 is a perspective view of a solar panel showing my new design;
FIG. 2 is another perspective view thereof;
FIG. 3 is a front elevational view thereof
FIG. 4 is a rear elevational view thereof;
FIG. 5 is a left side elevational view thereof;
FIG. 6 is a right side elevational view thereof;
FIG. 7 is a top plan view thereof; and,
FIG. 8 is a bottom plan view thereof.
The broken lines in the drawings depict portions of the solar panel that form no part of the claimed design.

1 Claim, 8 Drawing Sheets



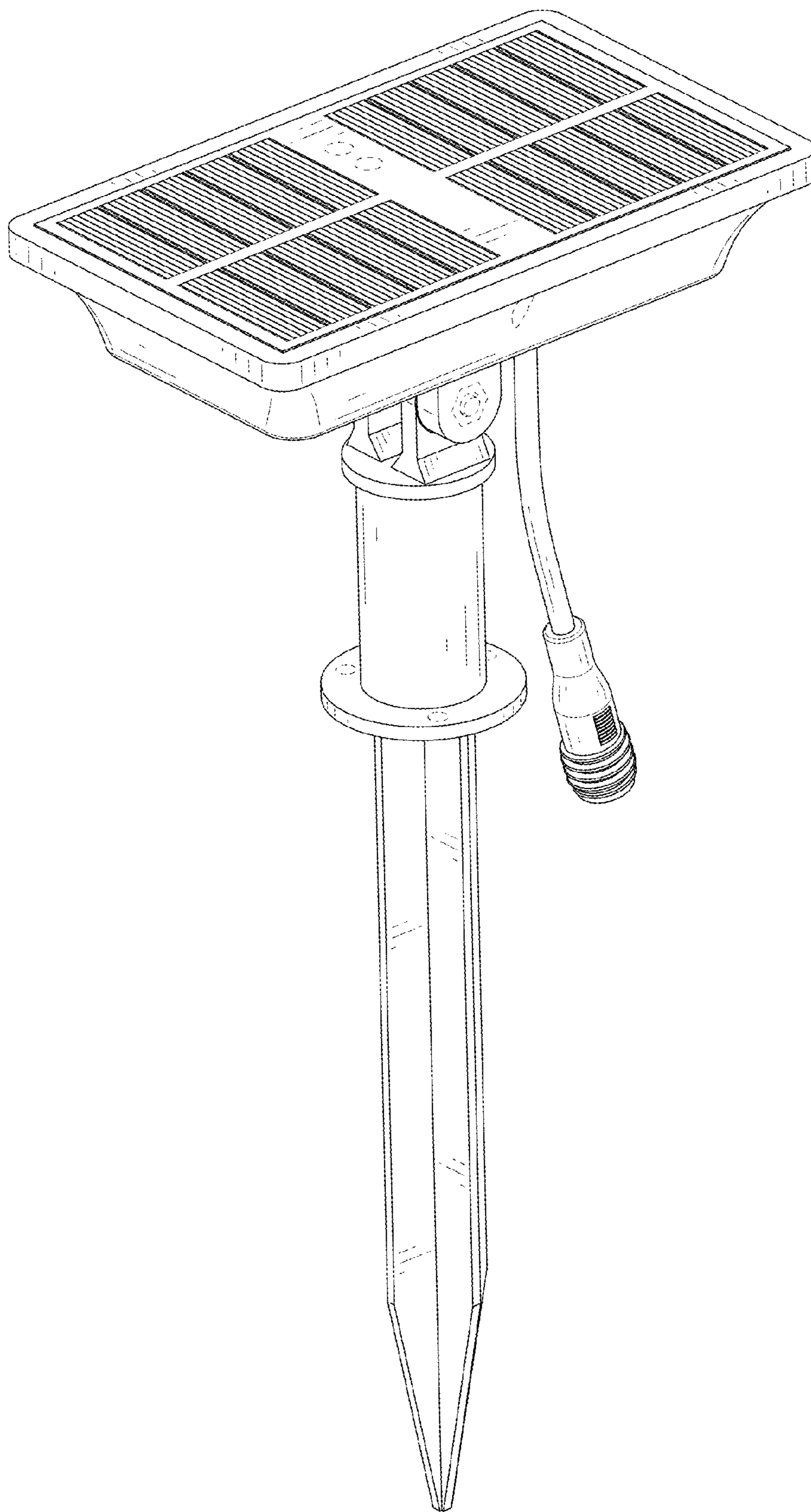


FIG. 1

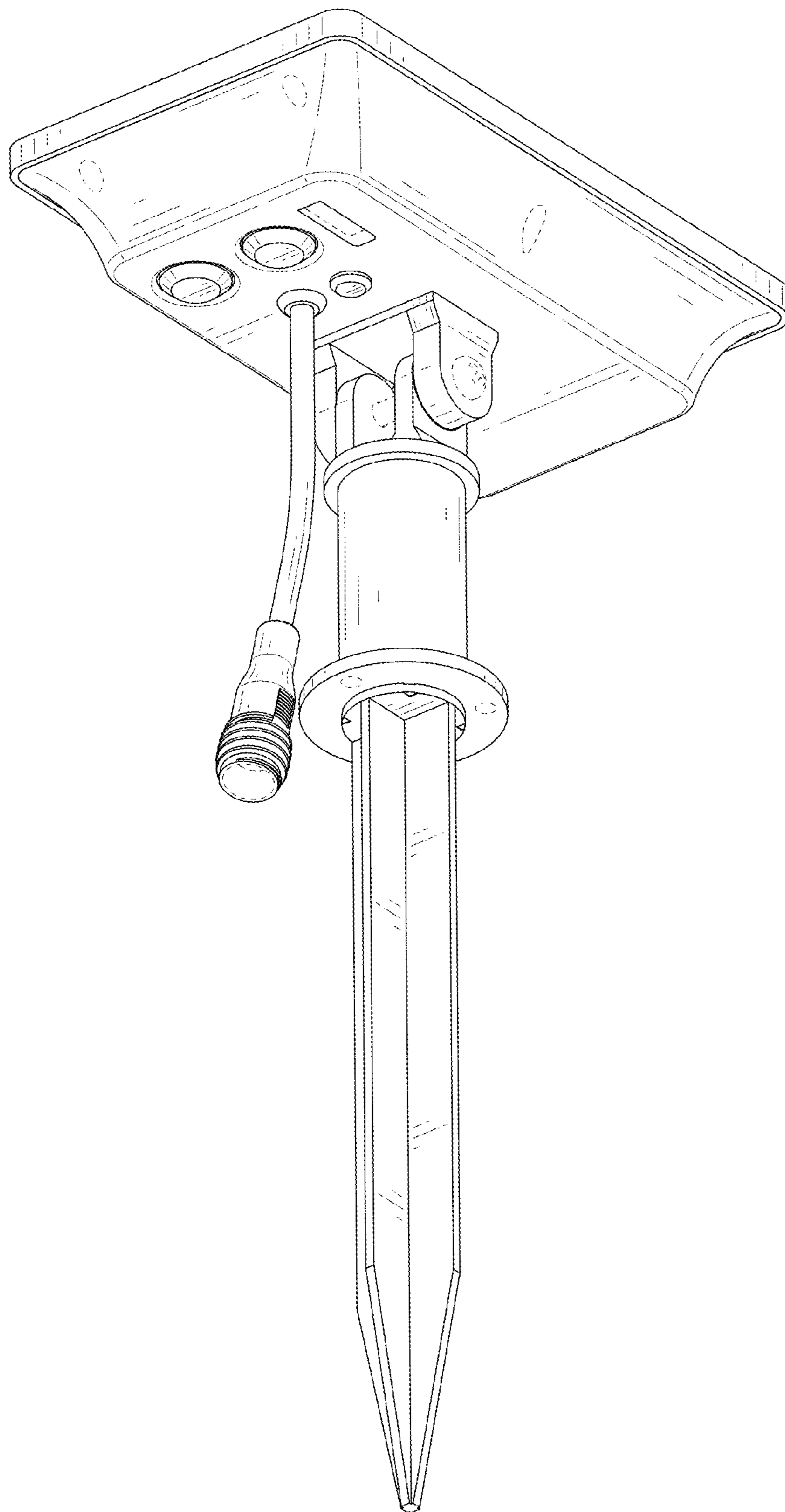


FIG. 2

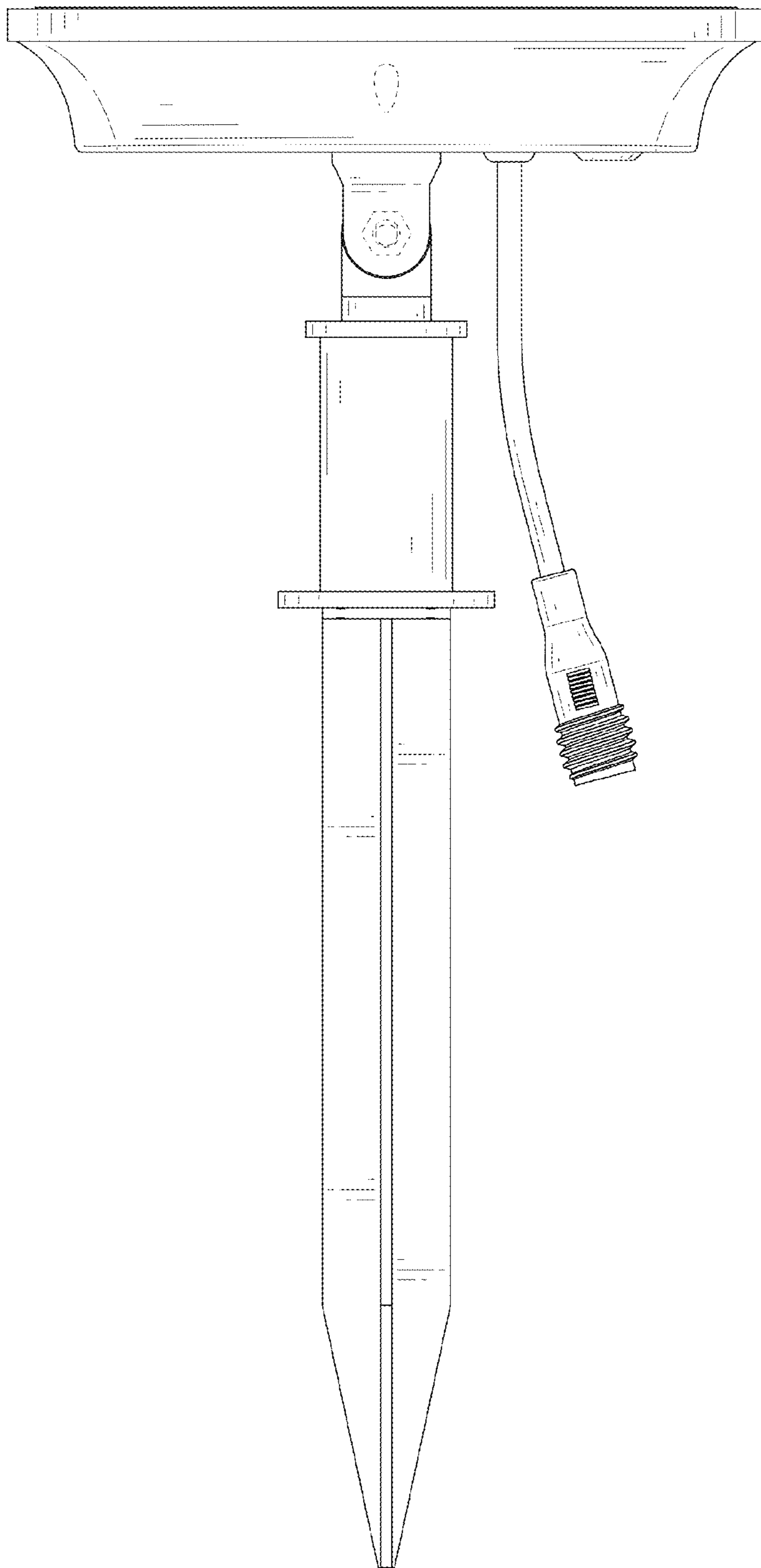


FIG. 3

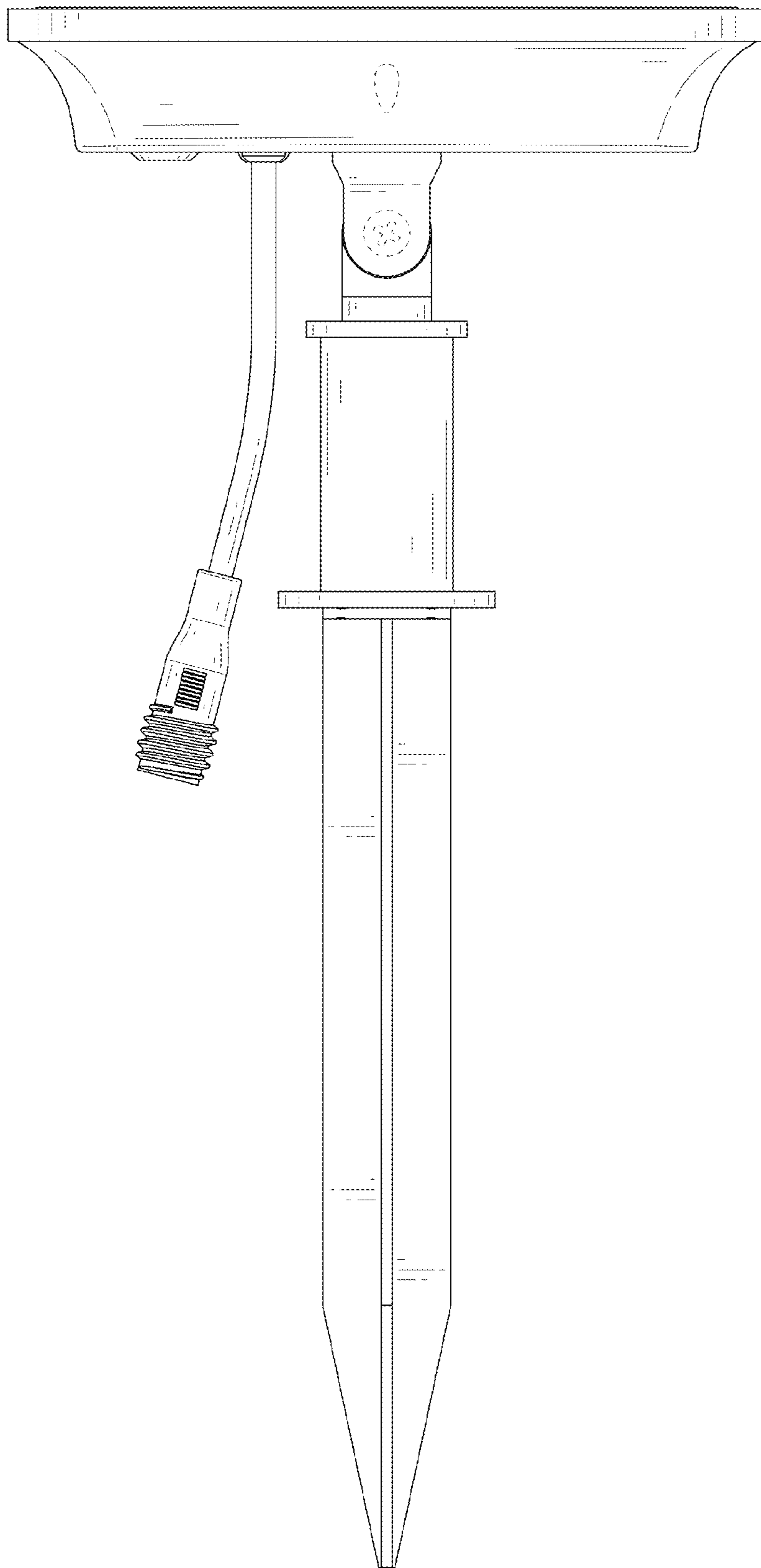


FIG. 4

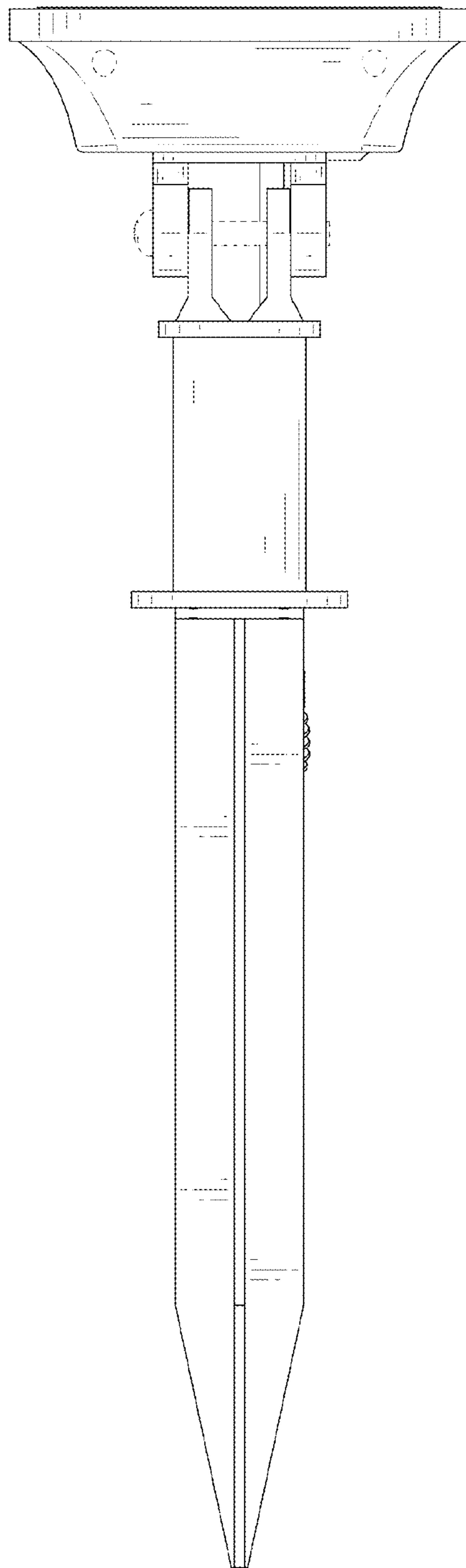


FIG. 5

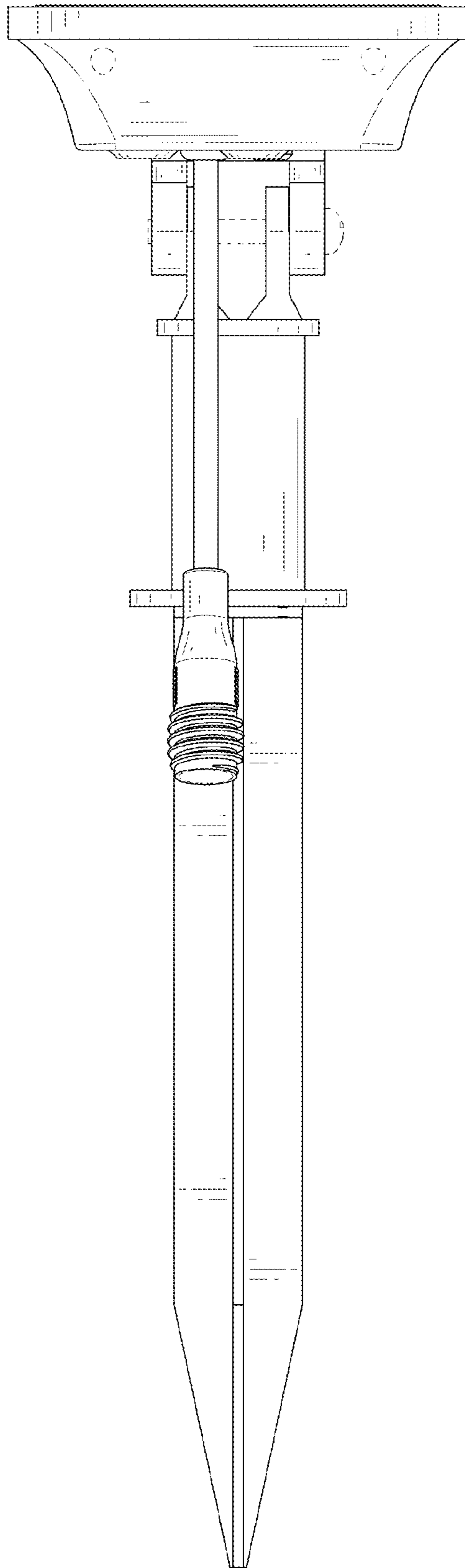


FIG. 6

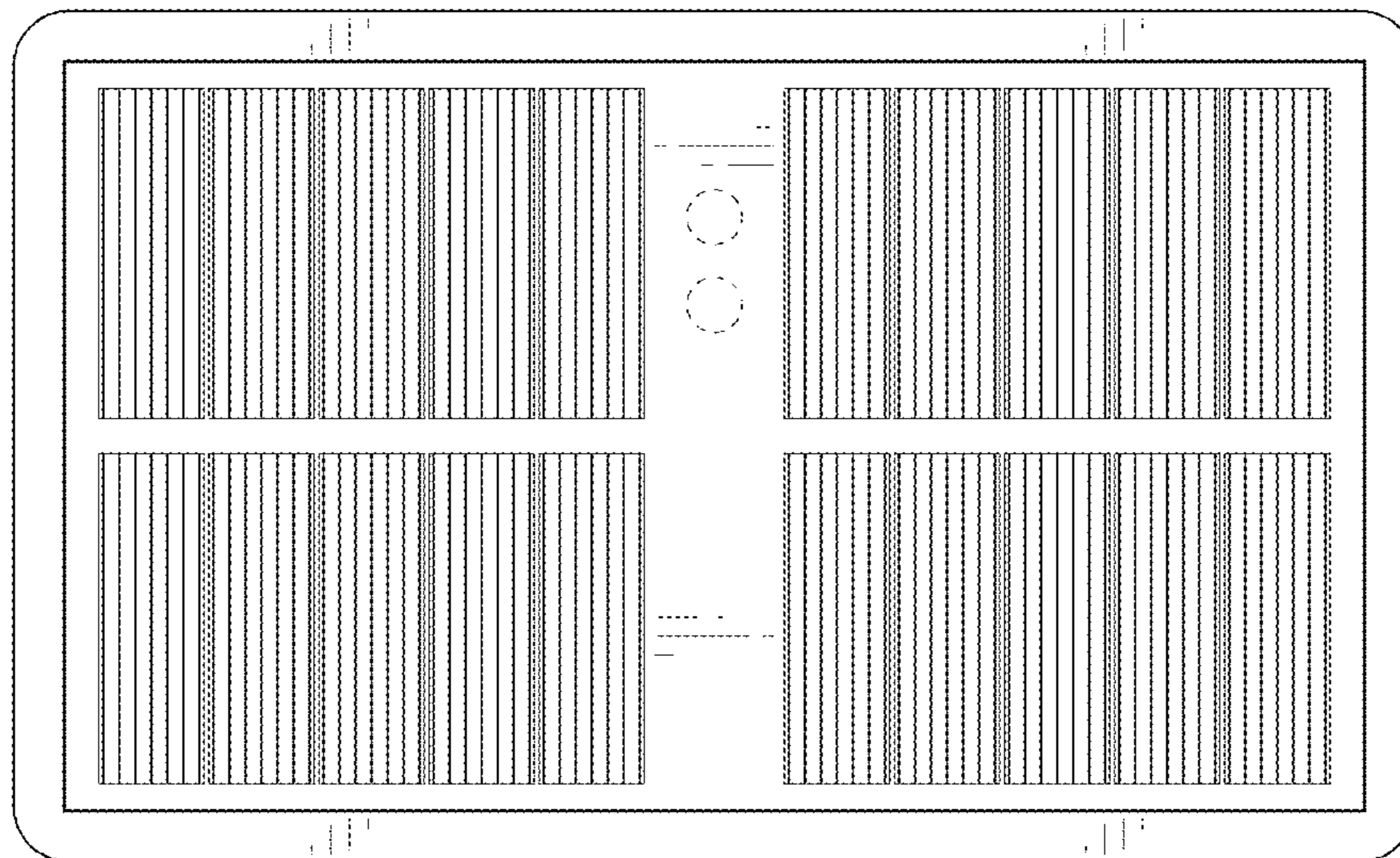


FIG. 7

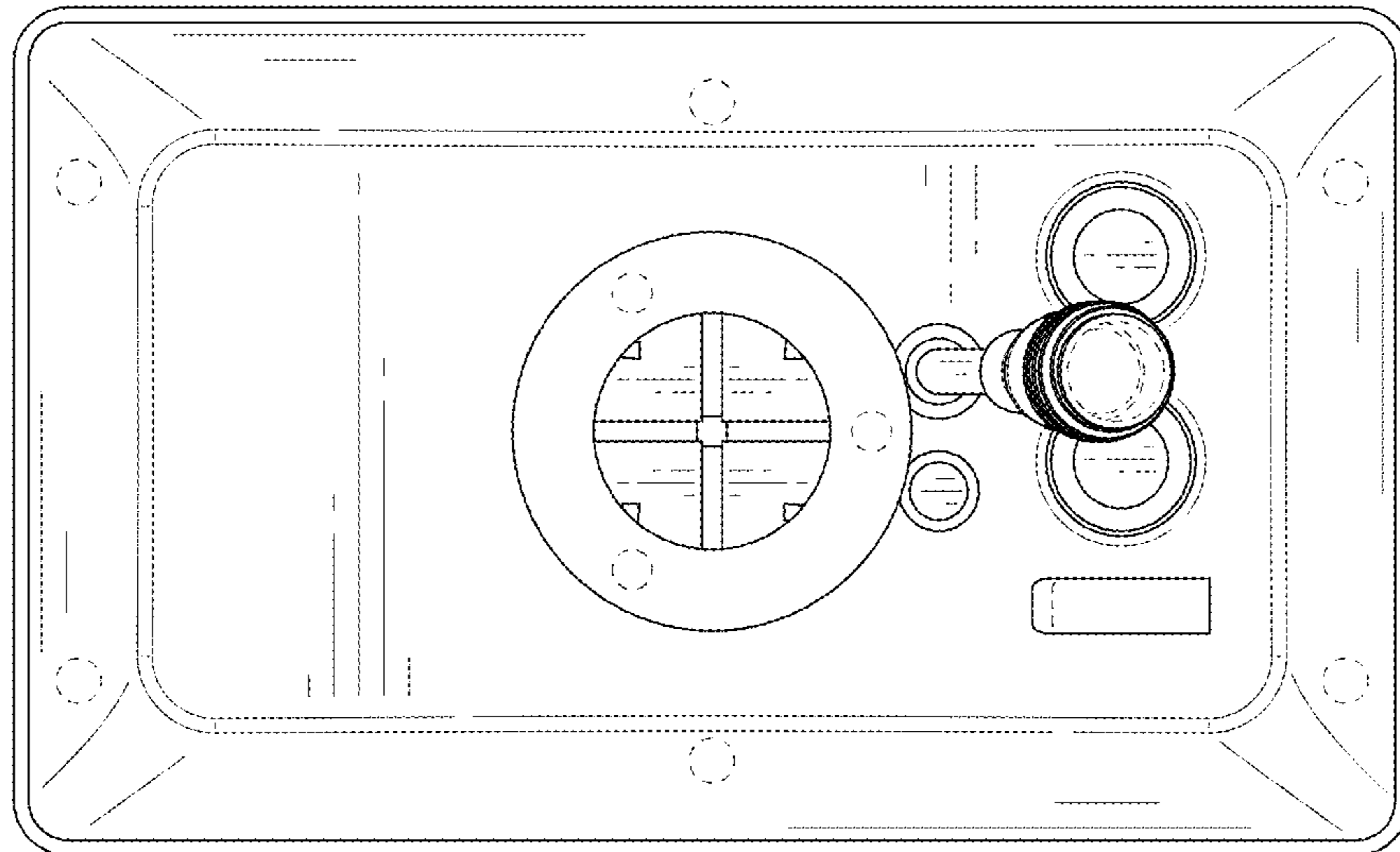


FIG. 8