



US00D908598S

(12) **United States Design Patent**
Meng et al.

(10) **Patent No.:** **US D908,598 S**

(45) **Date of Patent:** **** Jan. 26, 2021**

- (54) **TIRE**
- (71) Applicant: **XUZHOU ARMOUR RUBBER Co., Ltd.**, Xuzhou (CN)
- (72) Inventors: **Long Meng**, Xuzhou (CN); **Keke Zhao**, Xuzhou (CN); **Wenqi Zhang**, Xuzhou (CN); **Xinghai Zhao**, Xuzhou (CN)
- (73) Assignee: **XUZHOU ARMOUR RUBBER CO., LTD.**, Xuzhou (CN)

D425,832 S *	5/2000	Umstot	D12/544
D759,576 S *	6/2016	Wang	D12/544
D759,577 S *	6/2016	Wang	D12/544
D769,180 S *	10/2016	Wang	D12/544
D807,281 S *	1/2018	Irwin	D12/544
D807,811 S *	1/2018	Wang	D12/544
D810,664 S *	2/2018	Sgreccia	D12/544
D810,665 S *	2/2018	Sgreccia	D12/544
D834,505 S *	11/2018	Wang	D12/544
D847,082 S *	4/2019	Chattopadhyay	D12/544
D858,424 S *	9/2019	Chattopadhyay	D12/544

(**) Term: **15 Years**

(21) Appl. No.: **29/703,180**

(22) Filed: **Aug. 26, 2019**

(30) **Foreign Application Priority Data**

Jun. 27, 2019 (CN) 2019 3 0337291

(51) **LOC (13) Cl.** **12-15**

(52) **U.S. Cl.**
USPC **D12/544**

(58) **Field of Classification Search**
USPC D12/544
CPC B60C 11/0311; B60C 11/0316
See application file for complete search history.

(56) **References Cited**

U.S. PATENT DOCUMENTS

D219,799 S *	1/1971	Sons, Jr.	D12/544
3,603,370 A *	9/1971	Hylbert	B60C 11/0311 152/209.12
4,131,148 A *	12/1978	Bertazzoli	B60C 11/0316 152/209.12
5,421,388 A *	6/1995	Bonko	B60C 11/0311 152/209.12
D360,862 S *	8/1995	Bonko	D12/544

* cited by examiner

Primary Examiner — George D. Kirschbaum
(74) *Attorney, Agent, or Firm* — Bayramoglu Law Offices LLC

(57) **CLAIM**

The ornamental design for a tire, as shown and described.

DESCRIPTION

FIG. 1 is a perspective view of a tire showing our new design;

FIG. 2 is a front elevational view thereof;

FIG. 3 is a left side elevational view thereof; and,

FIG. 4 is a partial enlarged view of the indicated area "4" in the FIG. 2.

A rear elevational view, a top plan view and a bottom plan view are omitted since the rear elevational view, the top plan view and the bottom plan view are identical with the front elevational view.

A right side elevational view is omitted since the left side elevational view is symmetric with the right side elevational view.

The broken lines indicating an enlargement portion of the design form no part of the claimed design.

1 Claim, 4 Drawing Sheets





FIG. 1

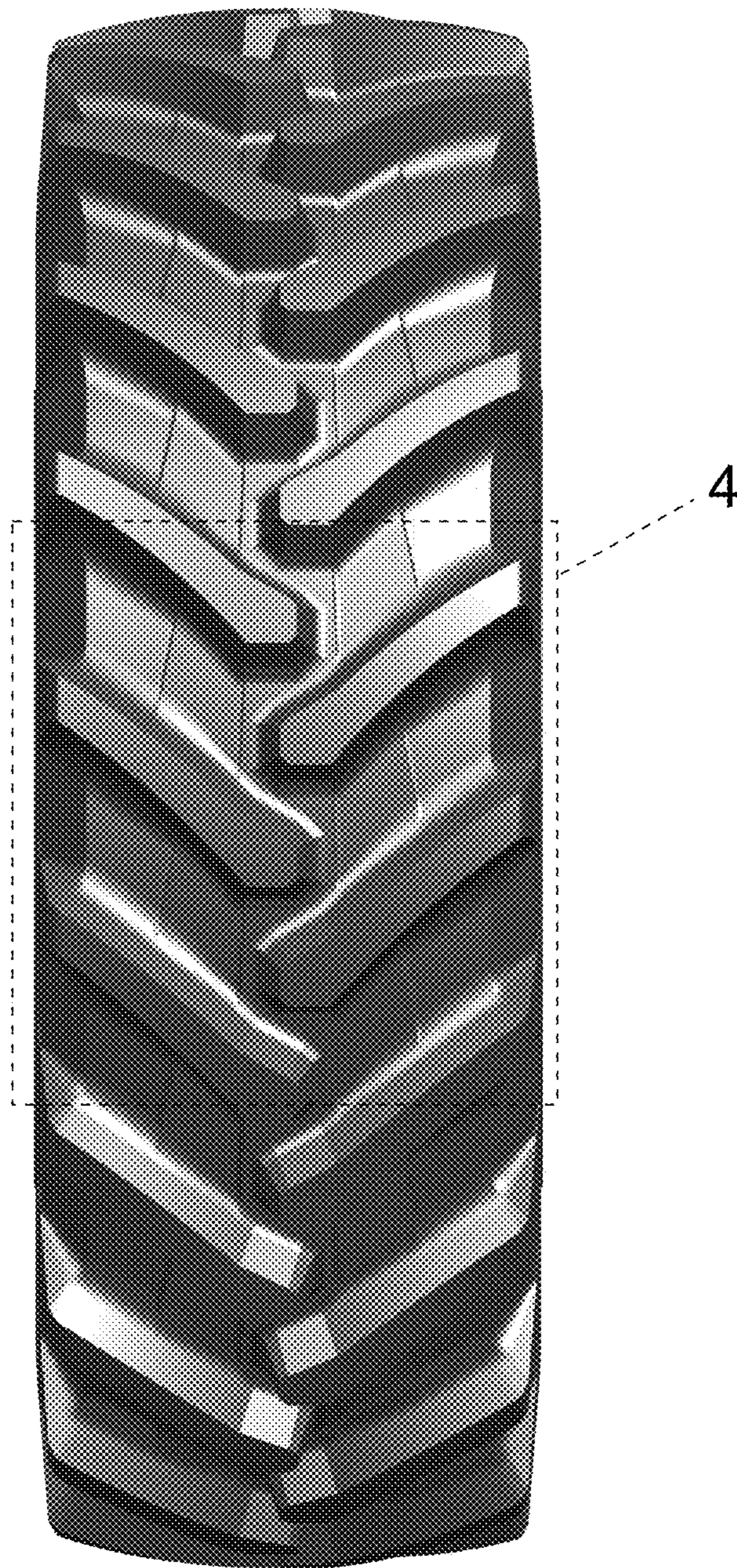


FIG. 2



FIG. 3

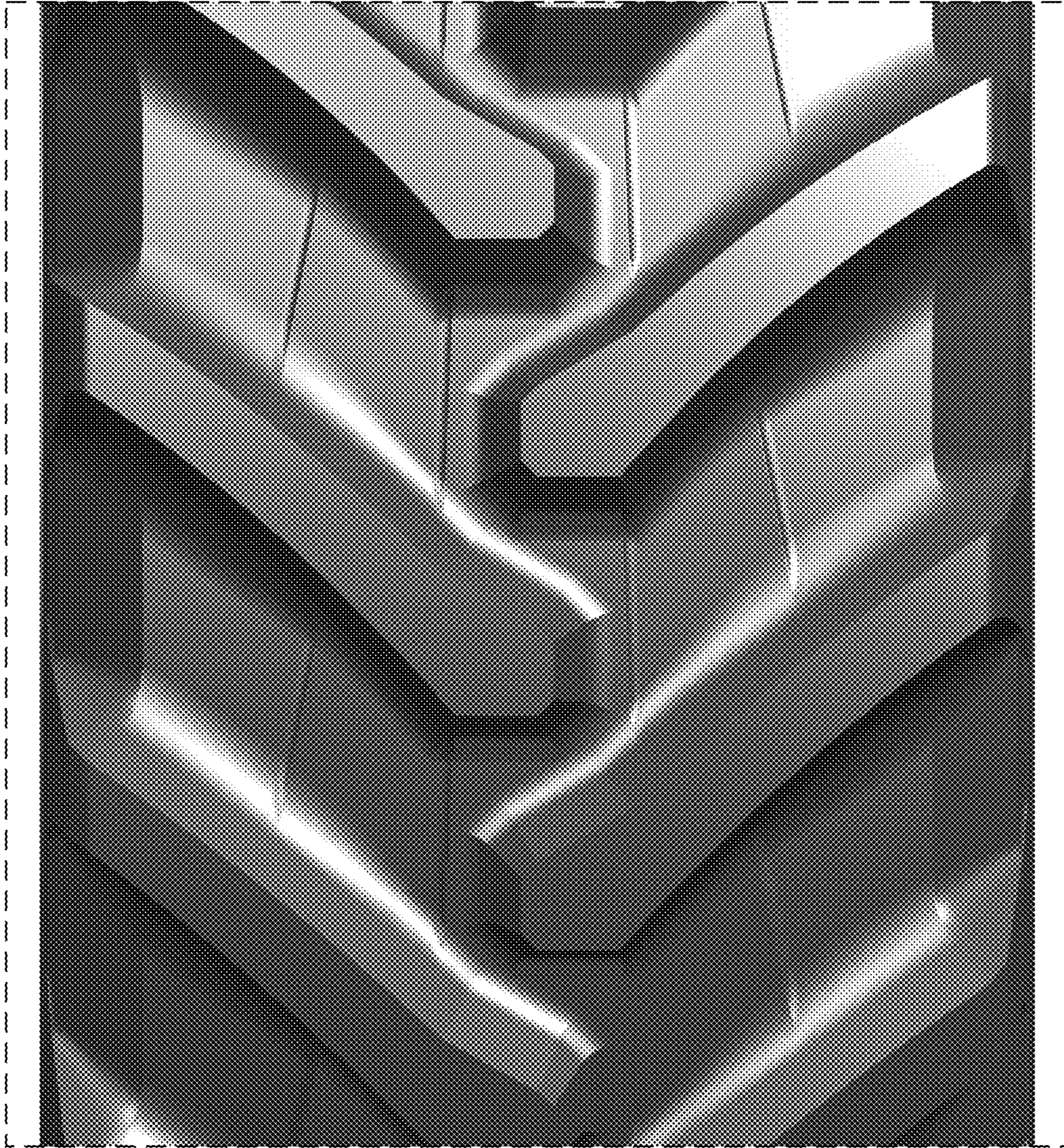


FIG. 4