

US00D908595S

(12) **United States Design Patent**  
**Chen**

(10) **Patent No.:** **US D908,595 S**

(45) **Date of Patent:** **\*\* Jan. 26, 2021**

(54) **SUNGLASSES HOLDER FOR CAR**

D403,296 S \* 12/1998 Thomas ..... D12/417  
D657,731 S \* 4/2012 Fried ..... D12/417

(71) Applicant: **Xiaowei Chen**, Dongguan (CN)

\* cited by examiner

(72) Inventor: **Xiaowei Chen**, Dongguan (CN)

*Primary Examiner* — Abraham Bahta

(\*\*) Term: **15 Years**

(74) *Attorney, Agent, or Firm* — KA filing LLC

(21) Appl. No.: **29/701,383**

(57) **CLAIM**

(22) Filed: **Aug. 12, 2019**

The ornamental design for a sunglasses holder for car, as shown and described.

(51) **LOC (13) Cl.** ..... **12-16**

(52) **U.S. Cl.**

USPC ..... **D12/417**

(58) **Field of Classification Search**

USPC ..... D12/417, 106, 181, 183–185, 191;  
160/370.21, 370.22; 296/97.1–97.8,  
296/180.1, 97.3, 97.6, 97.7; D8/394–395  
CPC ... B60R 7/088; B60R 7/05; B60R 2011/0003;  
B60R 2011/0007; B60R 2011/0035; B60J  
3/00; B60J 3/0208

See application file for complete search history.

**DESCRIPTION**

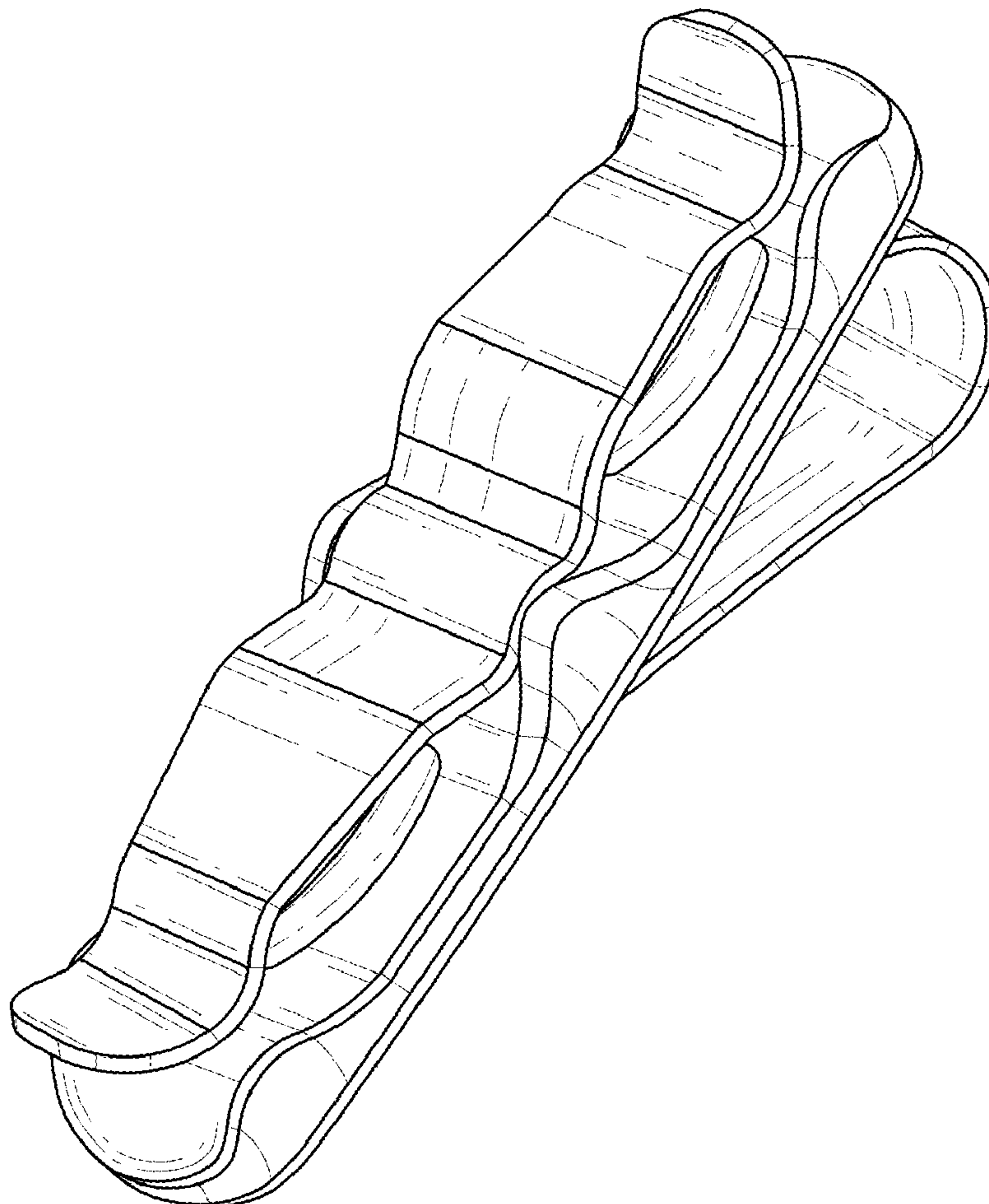
FIG. 1 is a Perspective view of a sunglasses holder for car showing my new design;  
FIG. 2 is another perspective view thereof;  
FIG. 3 is a Front view thereof as shown in FIG. 1;  
FIG. 4 is a Back view thereof as shown in FIG. 1;  
FIG. 5 is a Right-side view thereof as shown in FIG. 1;  
FIG. 6 is a Left-side view thereof as shown in FIG. 1;  
FIG. 7 is a Top view thereof as shown in FIG. 1; and,  
FIG. 8 is a Bottom view thereof as shown in FIG. 1.  
The broken lines are only for environmental purposes and form no part of the claimed design.

(56) **References Cited**

U.S. PATENT DOCUMENTS

D329,540 S \* 9/1992 Kunes ..... D12/417

**1 Claim, 7 Drawing Sheets**



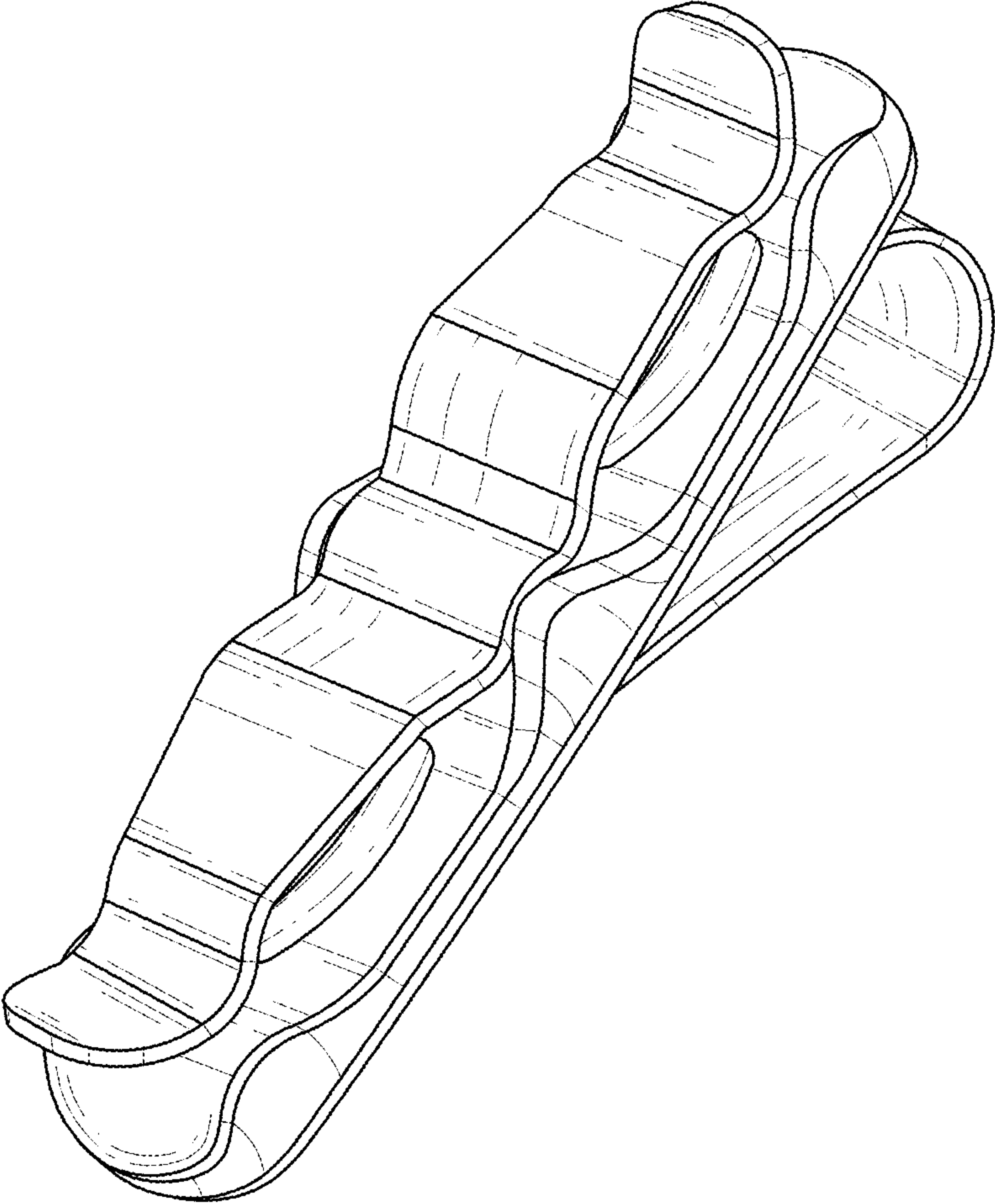


FIG. 1

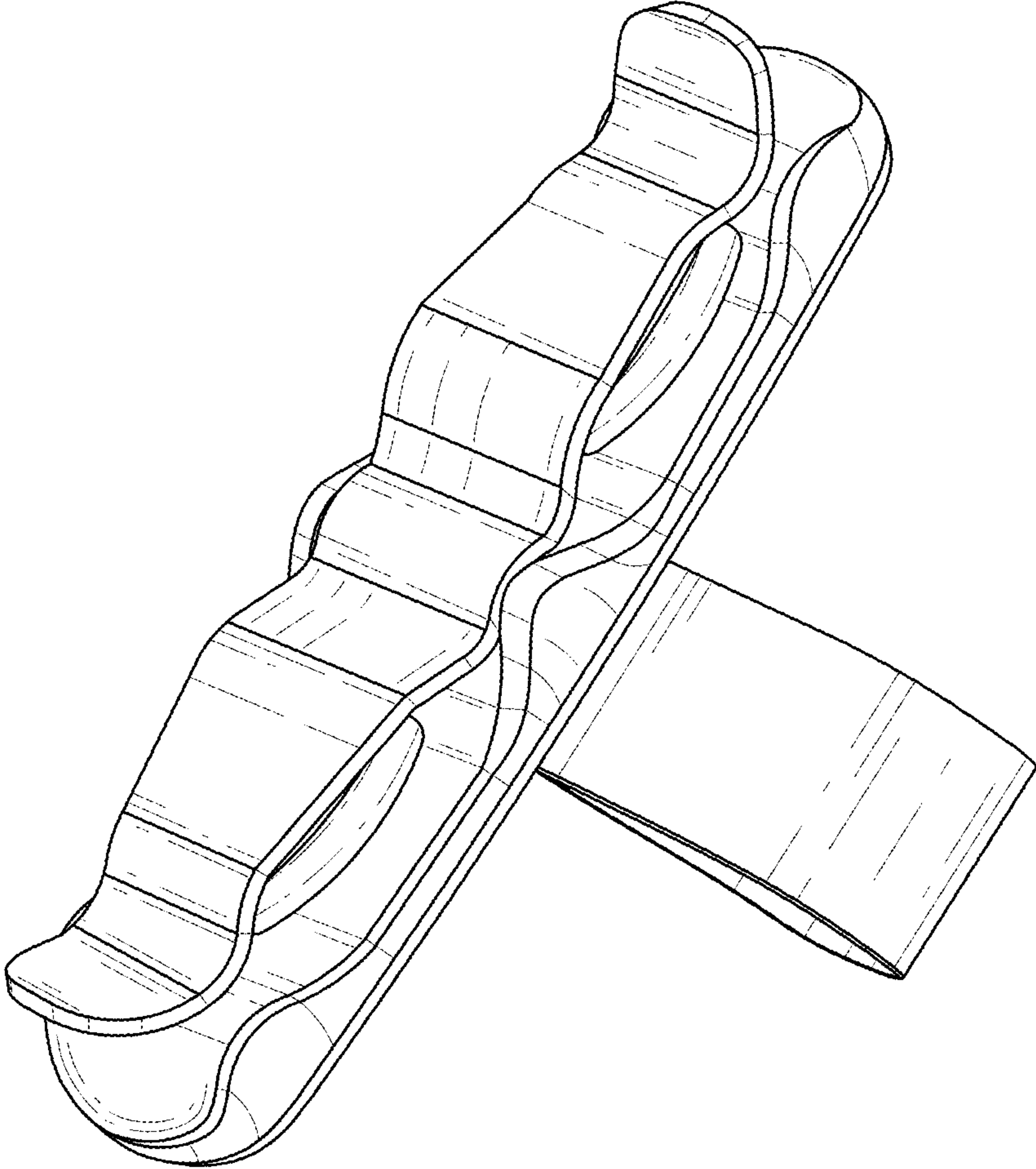


FIG. 2

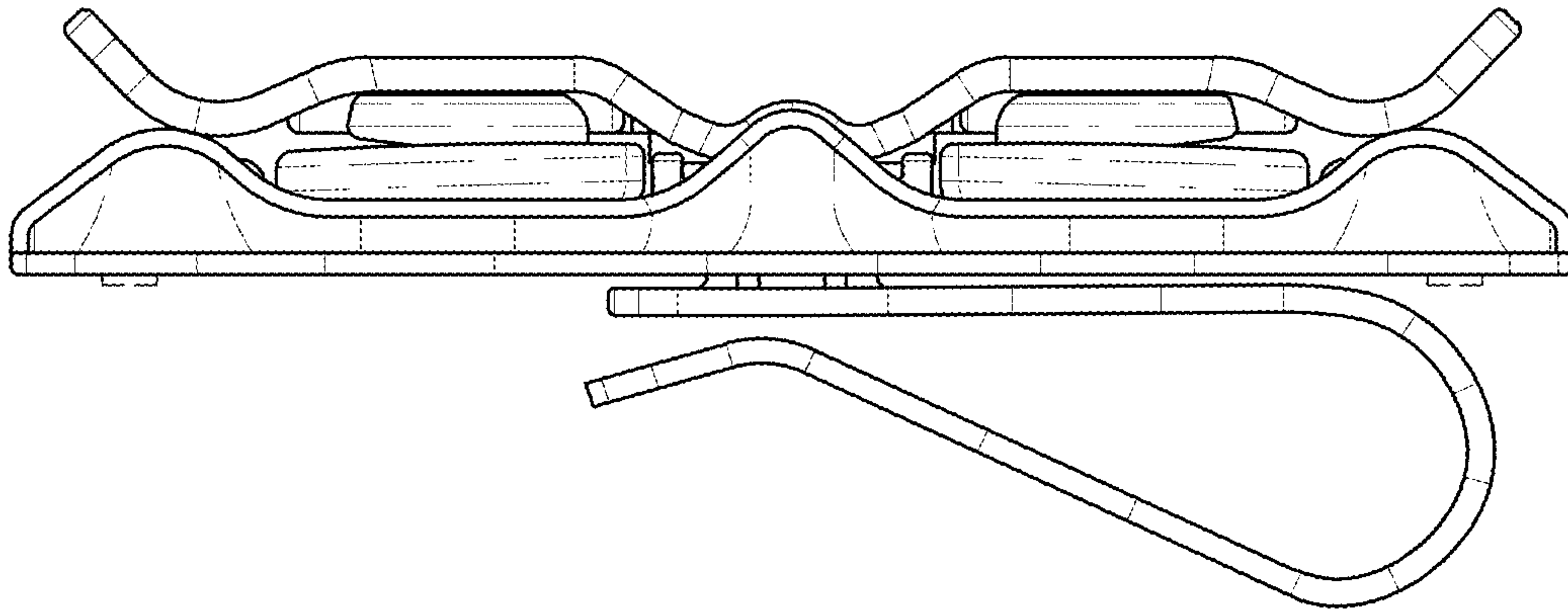


FIG. 3

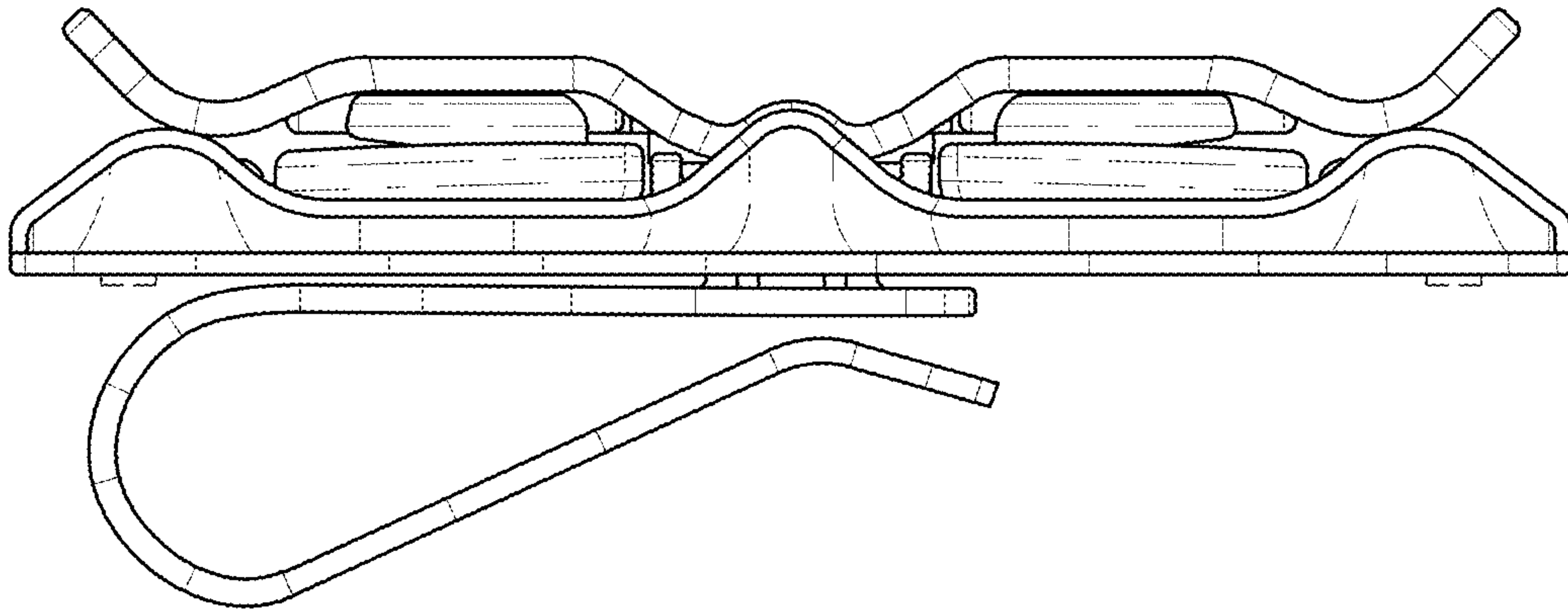


FIG. 4

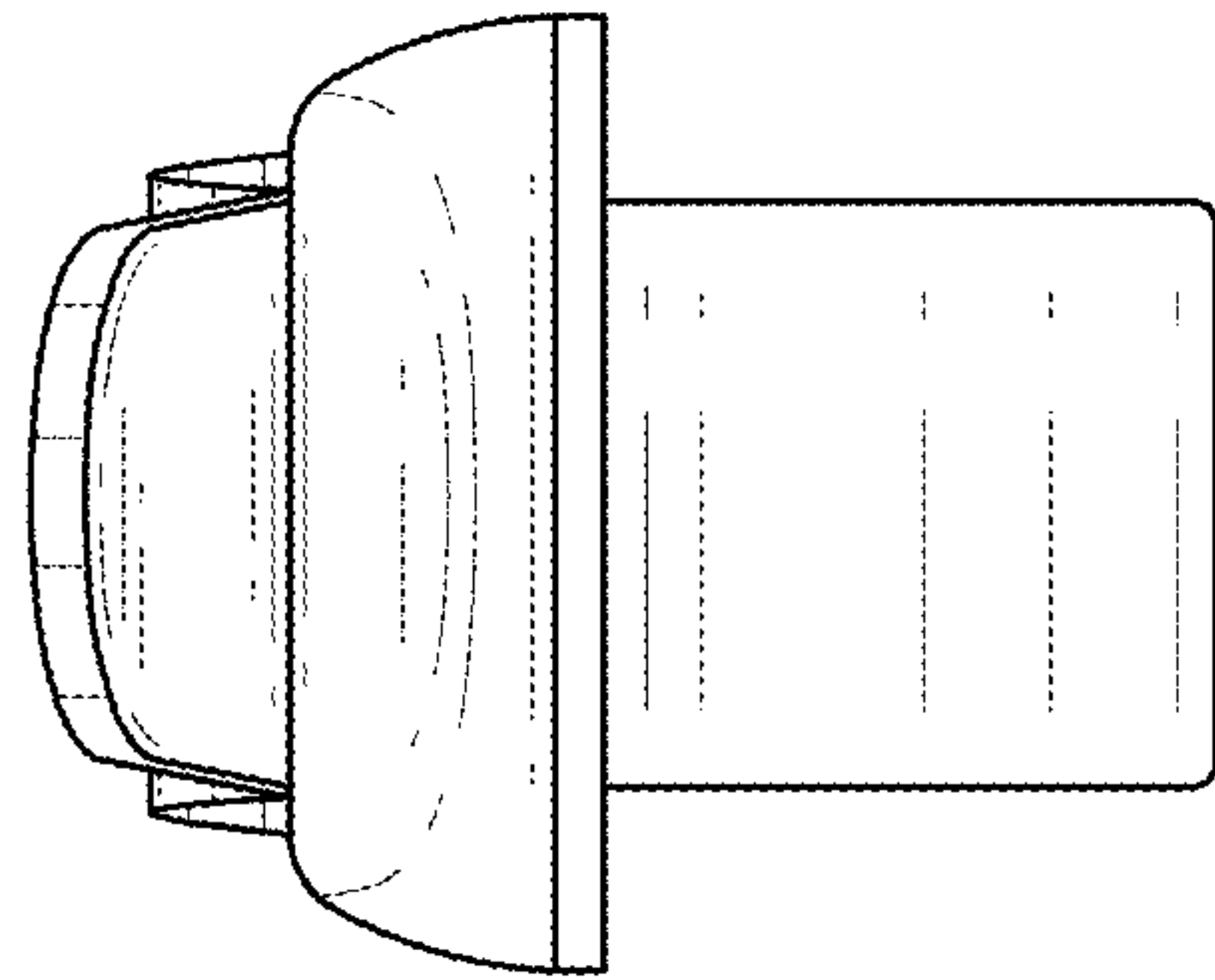


FIG. 5

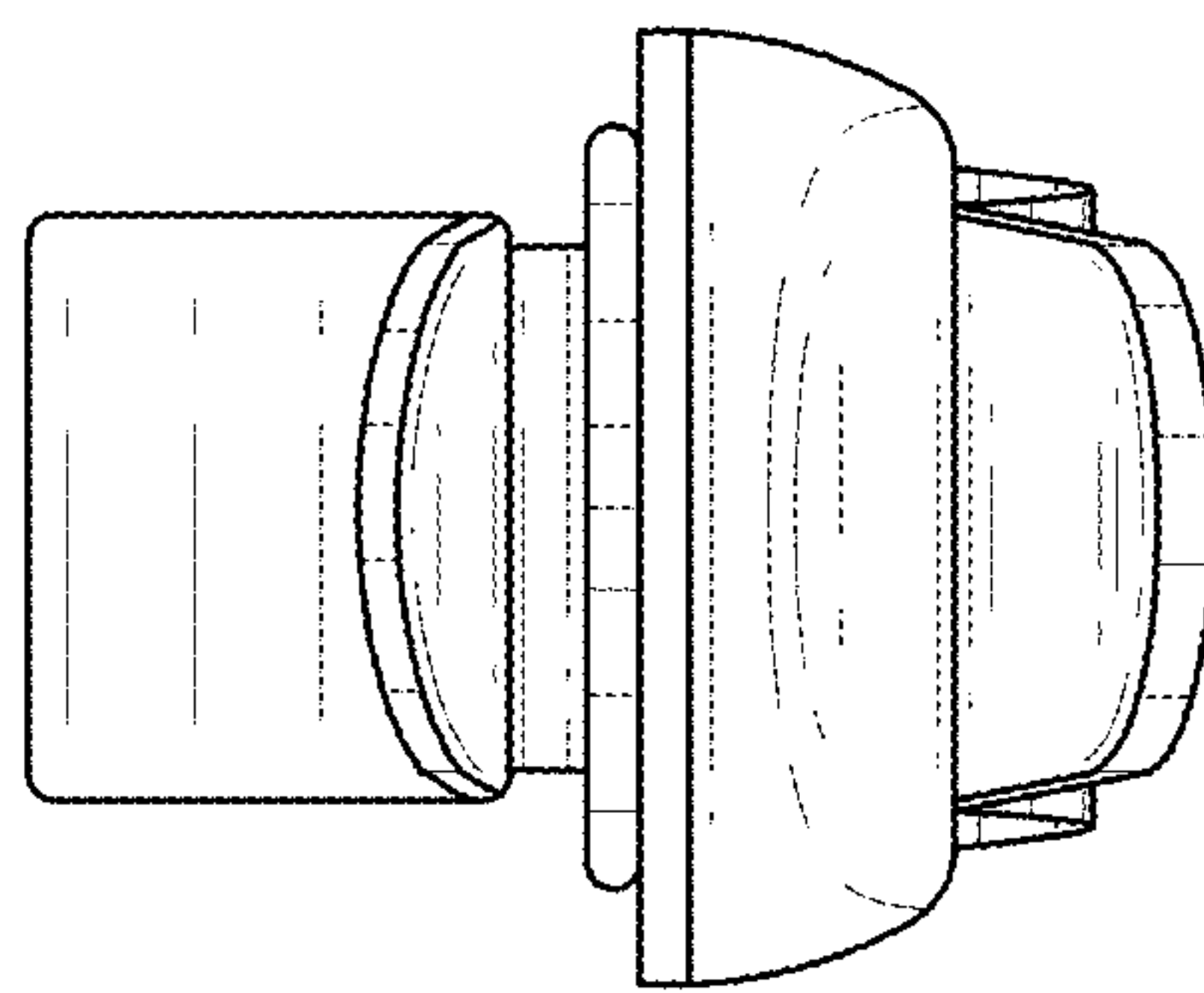


FIG. 6



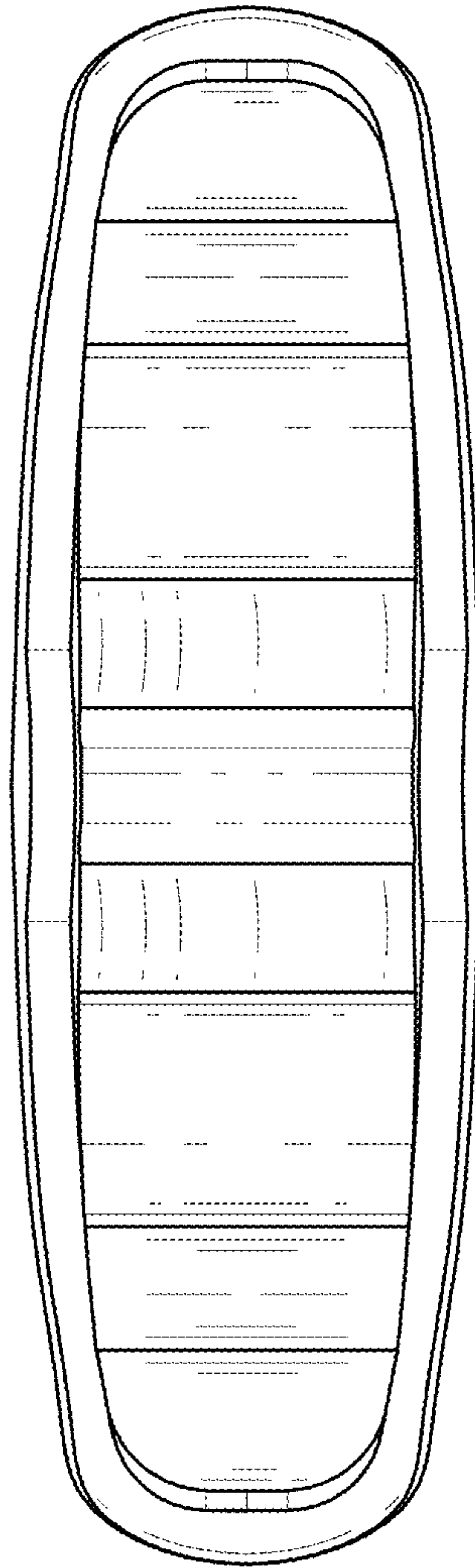


FIG. 7

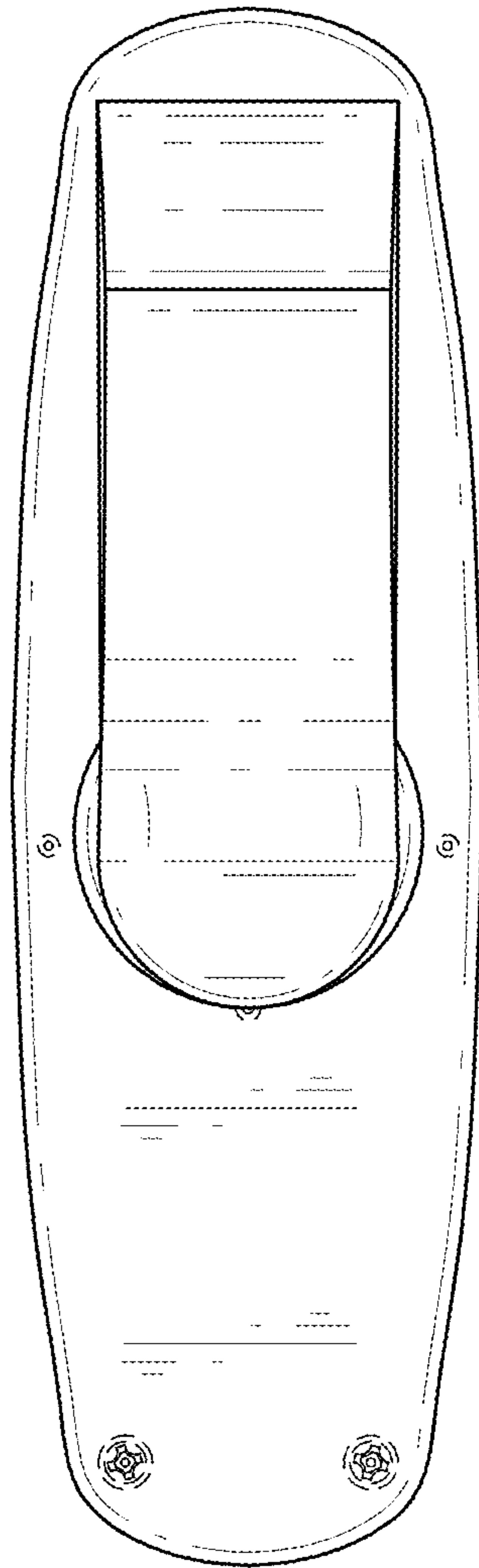


FIG. 8