



US00D908594S

(12) **United States Design Patent**
Wissiak

(10) **Patent No.:** **US D908,594 S**
(45) **Date of Patent:** **** Jan. 26, 2021**

(54) **CONTAINER FOR USE ON A ROOF RACK**

(71) Applicant: **FRONT RUNNER RACKS 2000 (PTY) LTD**, Kyalami (ZA)
(72) Inventor: **Robert Herald Wissiak**, Gauteng (ZA)
(73) Assignee: **FRONT RUNNER RACKS 2000 (PTY) LTD.**, Kyalami (ZA)
(**) Term: **15 Years**

(21) Appl. No.: **29/695,442**

(22) Filed: **Jun. 19, 2019**

(51) **LOC (13) Cl.** **12-16**

(52) **U.S. Cl.**
USPC **D12/412**

(58) **Field of Classification Search**

USPC D12/412, 413, 400, 406, 414, 414.1; D23/211, 211.1, 211.2; D9/737, 738, D9/739, 740, 741, 742, 743, 744, 745, D9/746, 747, 516, 524-528, 549, 684, D9/719, 573-575, 531, 430, 420-423, D9/432; D3/272, 273, 274, 275, 276, D3/281, 284, 292, 294, 306, 905, 414, D3/418; D7/300.1, 293.1, 591, 596, 601, D7/602, 605-608, 610, 612, 615, 619.1, D7/624.2, 629-630, 509-511, 563, 573, D7/590, 513, 300, 308, 312, 315, 622, D7/202; 220/505, 504, 288, 709, 23.4, 220/23.8, 23.88, 633, 916, 660, 669, 318, 220/674; 264/532; 222/129, 94, 135; 215/6, 10, 216, 383, 384, 396, 398

See application file for complete search history.

(56) **References Cited**

U.S. PATENT DOCUMENTS

4,913,309 A * 4/1990 Fink A61B 50/36
206/409
5,117,997 A * 6/1992 Fink A61B 50/36
206/510

(Continued)

OTHER PUBLICATIONS

Water Tank With Mounting System / 42L—By Front Runner, FrontRunnerOutfitters.com, [online], [site visited Jul. 30, 2020]. <URL: https://www.frontrunneroutfitters.com/en/us/rack-accessories/front-runner-45l-water-tank-with-mounting-system.html> (Year: 2020).*

(Continued)

Primary Examiner — T Chase Nelson

Assistant Examiner — Jonathan J. Han

(74) *Attorney, Agent, or Firm* — Ware, Fressola, Maguire & Barber LLP

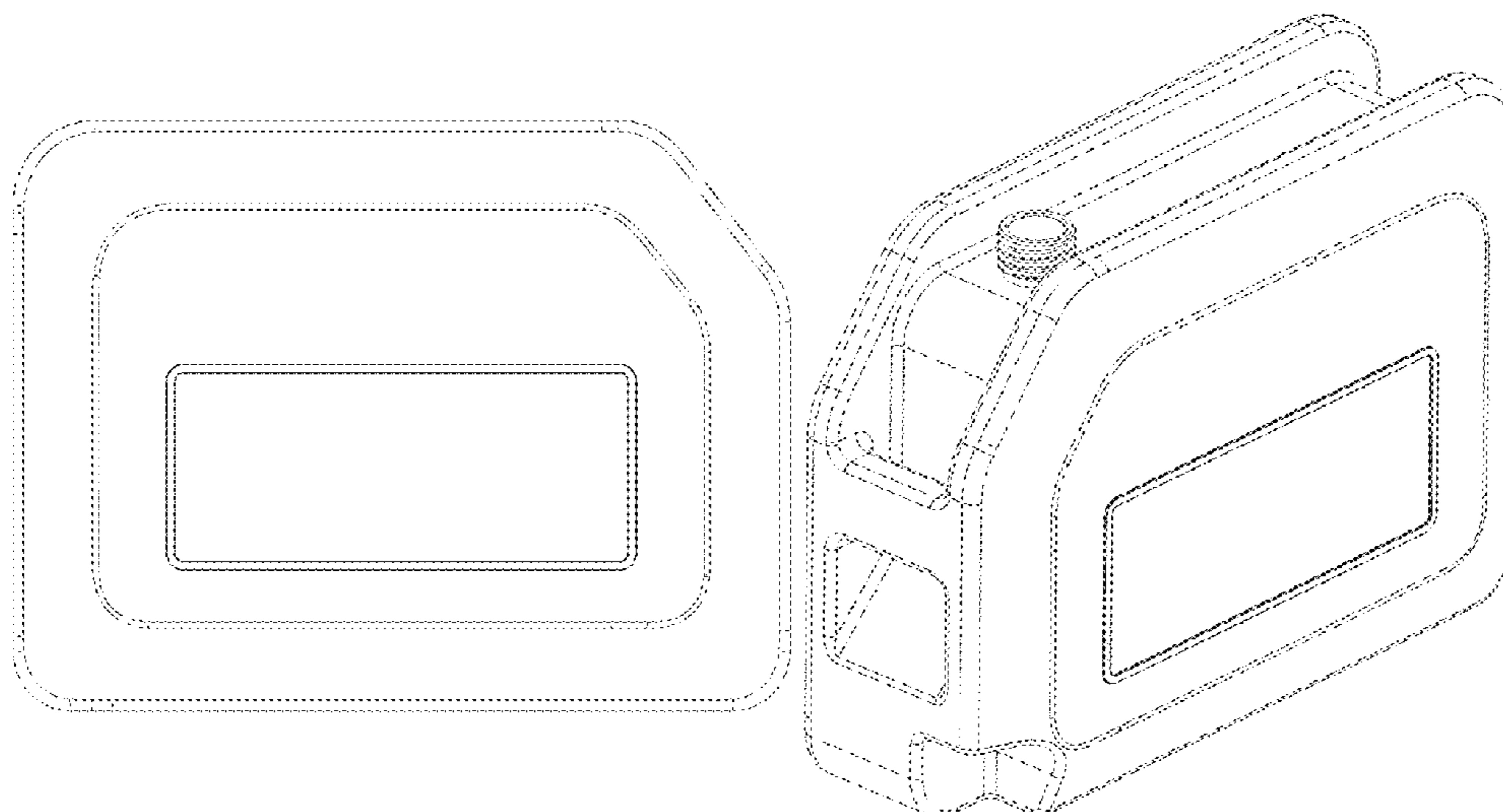
(57) **CLAIM**

The ornamental design for a container for use on a roof rack, as shown and described.

DESCRIPTION

FIG. 1 is a front end elevational view of a container for use on a roof rack, showing the present invention;
FIG. 2 is a right side elevational view of the container shown in FIG. 1;
FIG. 3 is a rear end elevational view of the container shown in FIG. 1;
FIG. 4 is a left side elevational view of the container shown in FIG. 1;
FIG. 5 is a top plan view of the container shown in FIG. 1;
FIG. 6 is a bottom plan view of the container shown in FIG. 1;
FIG. 7 is a left side perspective view of the container shown in FIG. 1; and,
FIG. 8 is a right side perspective view of the container shown in FIG. 1.

1 Claim, 7 Drawing Sheets



(56)

References Cited

U.S. PATENT DOCUMENTS

5,465,865 A * 11/1995 Coombes B65D 77/0466
 220/23.87
 5,472,088 A * 12/1995 Roberts B65D 85/672
 206/394
 D513,602 S * 1/2006 Lynch D12/413
 D564,031 S * 3/2008 Perella D19/90
 D587,955 S * 3/2009 Stamper D7/306
 D606,162 S * 12/2009 McAvey D23/211.1
 D636,056 S * 4/2011 Pritchard D23/211.1
 D657,558 S * 4/2012 Cover D3/270
 D658,062 S * 4/2012 Kim D9/528
 D664,854 S * 8/2012 Farris D9/527
 D691,052 S * 10/2013 Minghetti D9/528
 D743,169 S * 11/2015 Therkorn D3/282
 D761,110 S * 7/2016 Hart D9/524
 D805,775 S * 12/2017 Tsai D3/298
 D821,880 S * 7/2018 Olarte D9/523
 D826,056 S * 8/2018 Salotti D9/528
 D867,888 S * 11/2019 Essenburg D9/531
 D867,889 S * 11/2019 Baumann D9/528

D873,018 S * 1/2020 Seibert D3/294
 D876,960 S * 3/2020 Fletcher D9/741
 D876,961 S * 3/2020 Fletcher D9/741
 D879,622 S * 3/2020 Fletcher D9/741
 D880,313 S * 4/2020 Fletcher D9/741
 D880,958 S * 4/2020 Dai D7/629
 D882,951 S * 5/2020 Austin D3/294
 D891,257 S * 7/2020 Sterling D9/528
 2006/0048533 A1* 3/2006 Hipp A47J 39/003
 62/239
 2017/0225829 A1* 8/2017 Eitzmann B25H 1/00

OTHER PUBLICATIONS

11.9 Gal. Water Tank W/ Mounting System—By Front Runner, ExplorationOutfitters.com, [online], [site visited Jul. 30, 2020]. <URL: <https://explorationoutfitters.com/products/wtan030>> (Year: 2020).*

K9 40L Water Container & Mount, ArtemisOverland.com, [online], [site visited Jul. 30, 2020]. <URL: <https://artemisoverland.com/products/k9-40l-water-container-mount>> (Year: 2020).*

* cited by examiner

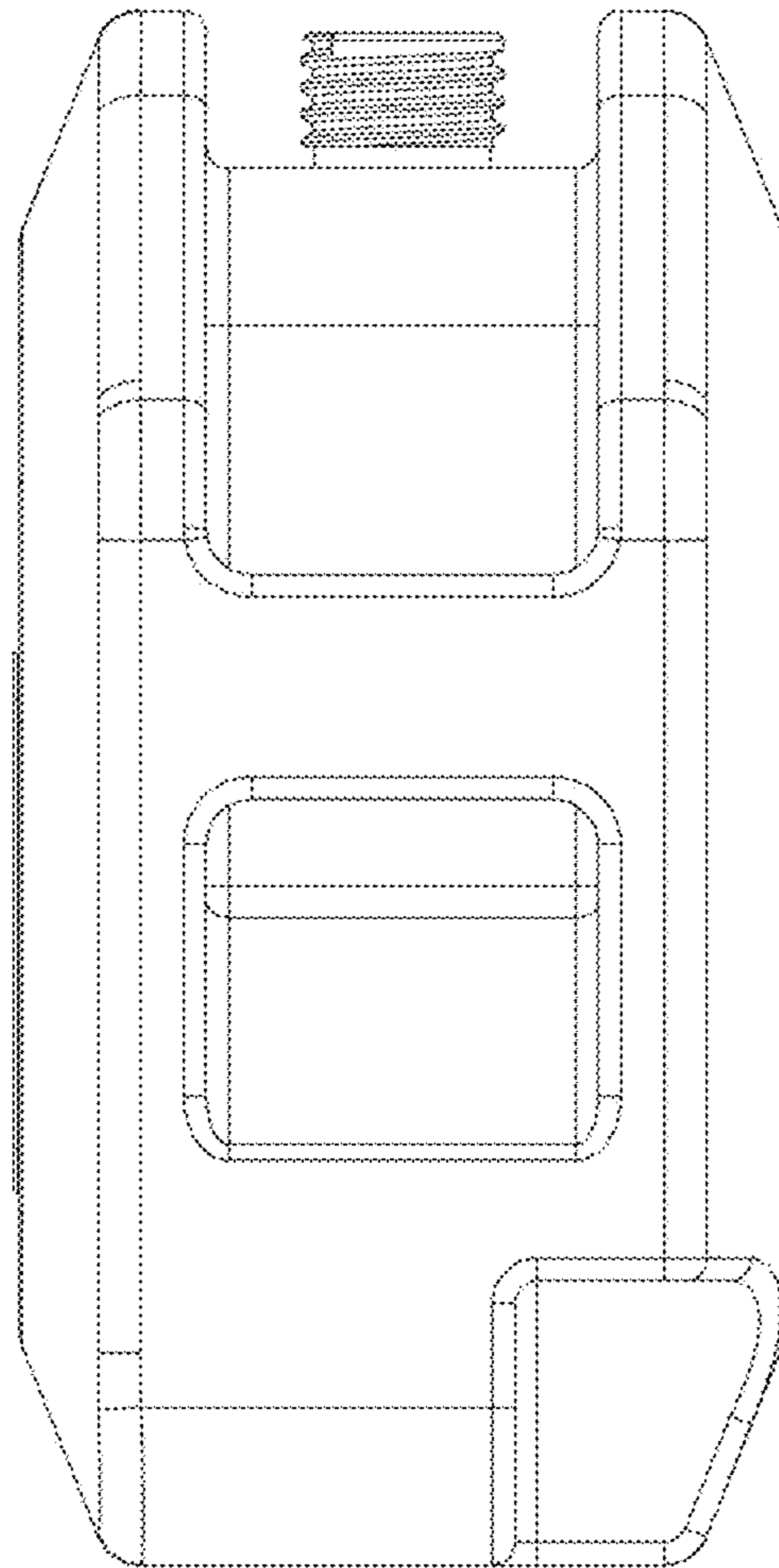


Figure 1

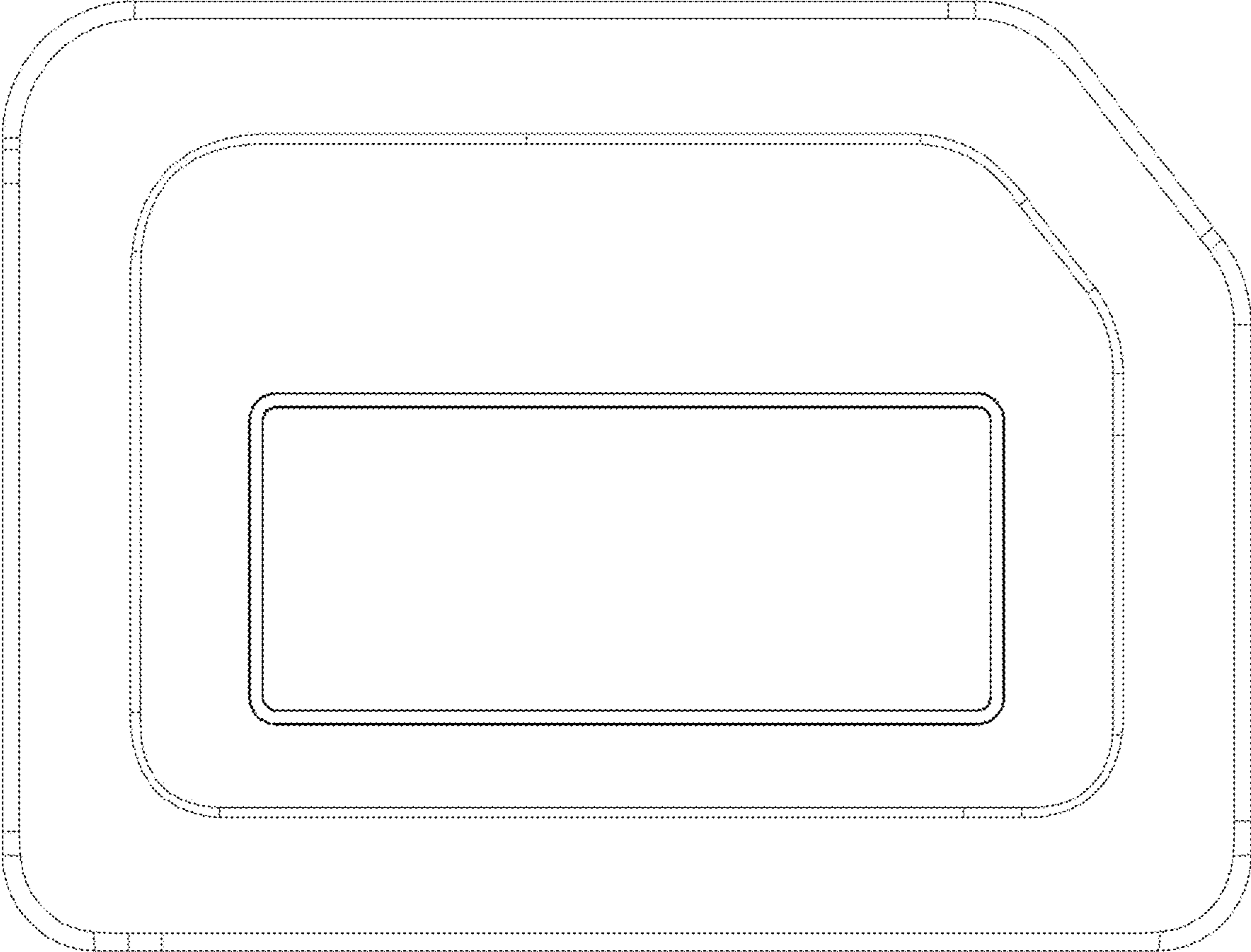


Figure 2

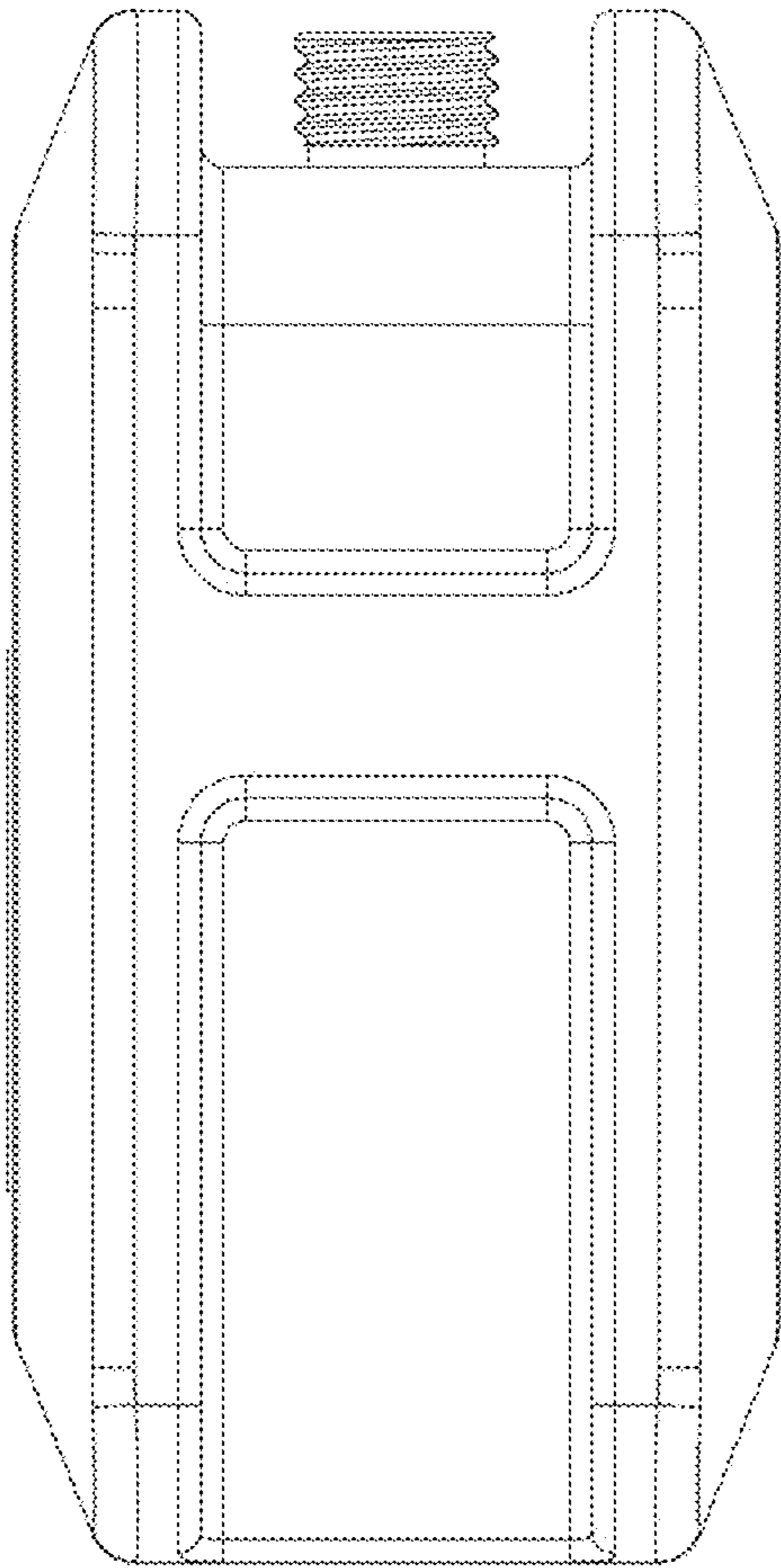


Figure 3

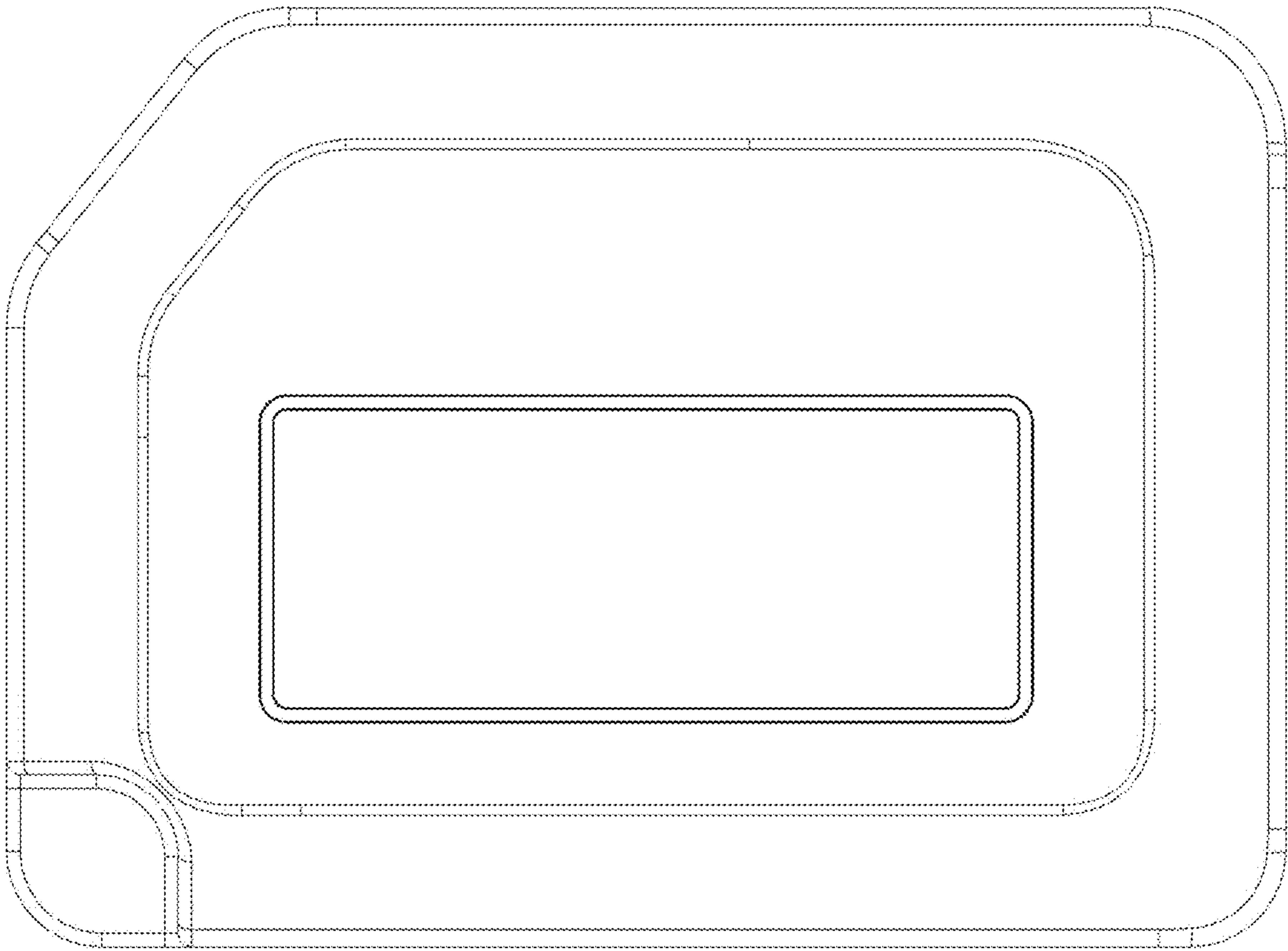


Figure 4



Figure 5

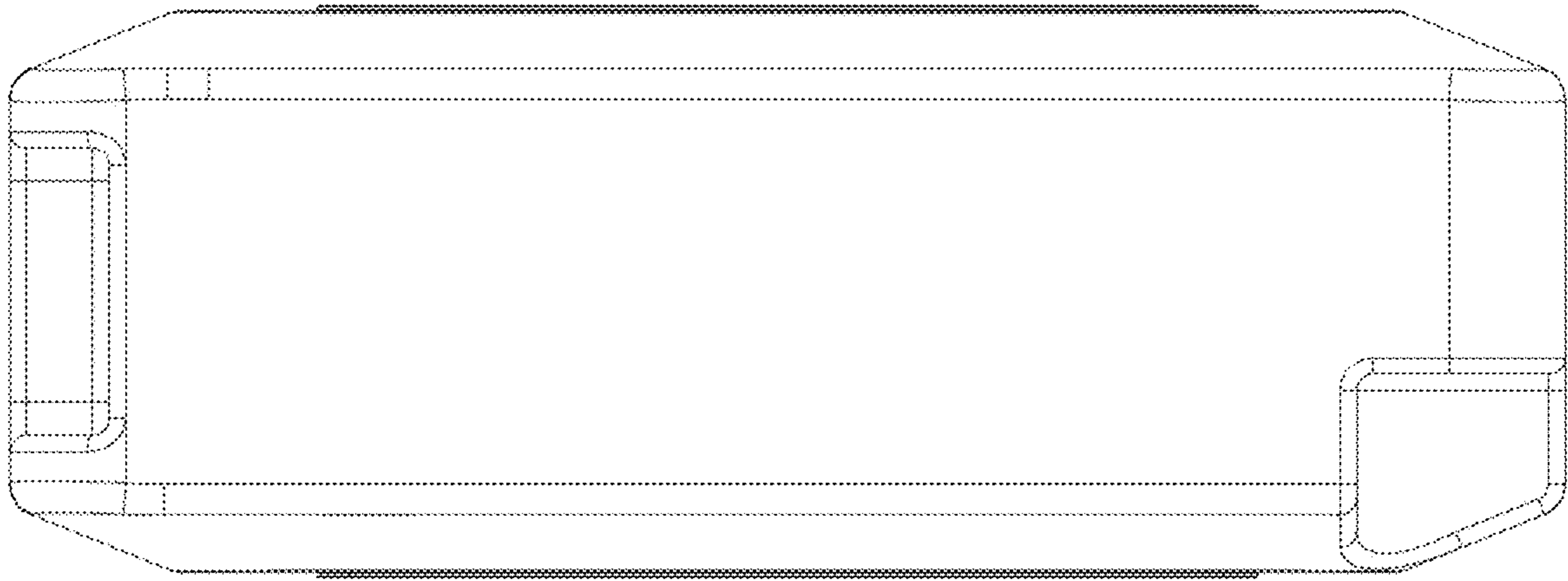


Figure 6

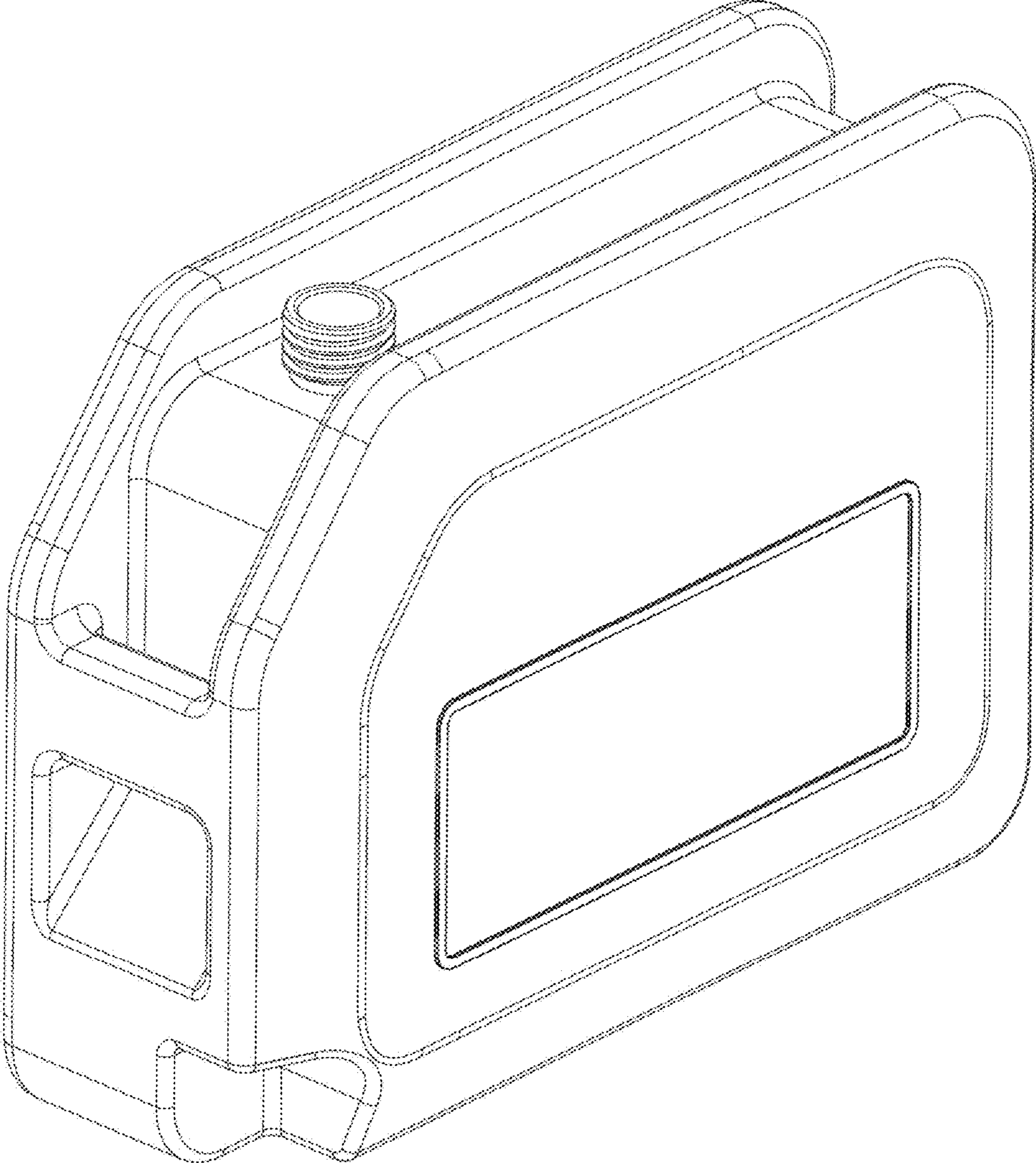


Figure 7

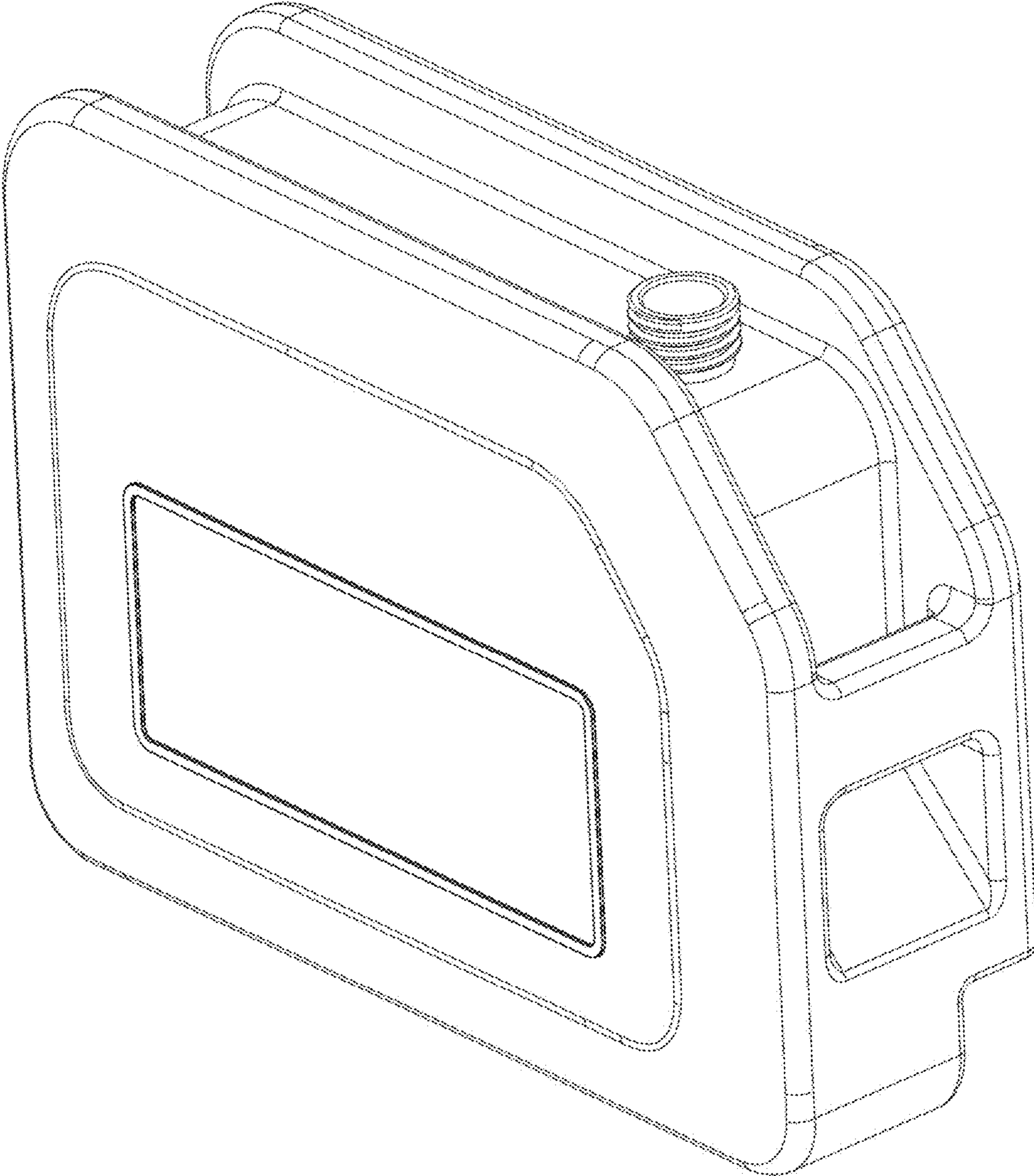


Figure 8