



US00D908592S

(12) **United States Design Patent**
Dilts

(10) **Patent No.:** **US D908,592 S**
(45) **Date of Patent:** **** Jan. 26, 2021**

(54) **SKIDSTEER RACK**
(71) Applicant: **PIGGYBACK MOUNTS**, Lafayette,
IN (US)
(72) Inventor: **Derrick Dilts**, West Lafayette, IN (US)
(73) Assignee: **PIGGYBACK MOUNTS**, Lafayette,
IN (US)
(**) Term: **15 Years**

D363,915 S * 11/1995 Weems D12/345
5,516,020 A * 5/1996 Lawler B60R 9/00
211/19
D377,163 S * 1/1997 Davis D12/408
D381,833 S * 8/1997 Farndon D15/127
5,660,637 A * 8/1997 Dodge B05B 13/0285
118/500
5,662,254 A * 9/1997 Lemajeur B60P 3/40
224/405
D410,429 S * 6/1999 Derecktor D12/406
5,971,434 A * 10/1999 Neufeld B60R 21/02
280/756

(Continued)

(21) Appl. No.: **29/688,556**

(22) Filed: **Apr. 23, 2019**

(51) **LOC (13) Cl.** **12-16**

(52) **U.S. Cl.**
USPC **D12/406**

(58) **Field of Classification Search**
USPC D12/400-414, 317, 414.1, 162; D6/419,
D6/462-468, 566; D34/27, 28, 33;
224/488, 405, 406; 414/462; 211/17-22,
211/5; 280/293; 248/682, 302, 303;
D21/668

CPC B61B 11/002; B61B 11/004; B61B 12/02;
B61B 12/10; B61B 12/127

See application file for complete search history.

(56) **References Cited**

U.S. PATENT DOCUMENTS

3,753,833 A * 8/1973 Bassett B26D 5/12
156/504
3,944,256 A * 3/1976 Hart B62D 53/0864
280/402
4,555,029 A * 11/1985 Fiol B62H 3/10
211/189
D306,848 S * 3/1990 Macor D12/190
D339,945 S * 10/1993 Moser D6/570
D341,810 S * 11/1993 Cordia D12/162
D363,587 S * 10/1995 Gliniski D34/12
5,456,564 A * 10/1995 Bianchini B60P 3/07
414/462

OTHER PUBLICATIONS

Skid Steer Rack sB24—Raw Steel, LafayetteLaser.com, [online],
[site visited Jun. 6, 2020]. <URL: <https://www.lafayettelaser.com/products/skid-steer-rack-2b24rs>> (Year: 2020).*

(Continued)

Primary Examiner — T Chase Nelson
Assistant Examiner — Jonathan J. Han
(74) *Attorney, Agent, or Firm* — Taft Stettinius &
Hollister LLP; Stephen F. Rost

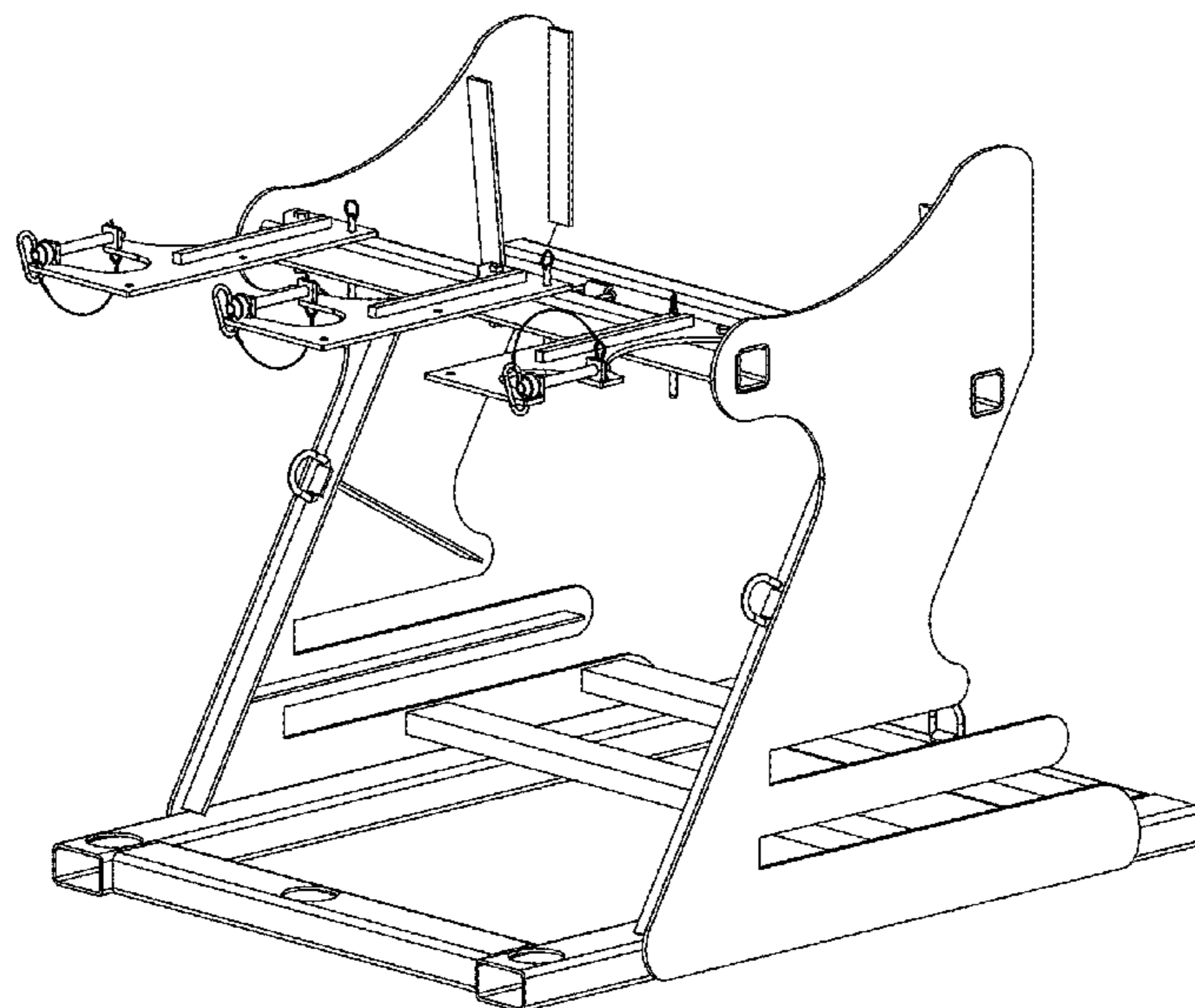
(57) **CLAIM**

The ornamental design for a skidsteer rack, as shown and
described.

DESCRIPTION

FIG. 1 is a perspective view of a skidsteer rack shown
according to the present design;
FIG. 2. is a front end view thereof;
FIG. 3 is a rear end view thereof;
FIG. 4 is a top plan view thereof;
FIG. 5 is a bottom plan view thereof;
FIG. 6 left side elevational view thereof; and,
FIG. 7 is a right side elevational view thereof.

1 Claim, 7 Drawing Sheets



(56)

References Cited

U.S. PATENT DOCUMENTS

D433,206 S * 10/2000 Sankaran D34/28
 D433,989 S * 11/2000 Shimmell, Sr. D12/408
 D434,587 S * 12/2000 Beard, Sr. D21/796
 6,401,941 B1 * 6/2002 Maumus F27D 5/005
 211/59.1
 6,752,301 B1 * 6/2004 Drolet B60P 3/40
 224/403
 6,820,837 B2 * 11/2004 Long B65H 19/126
 242/554.2
 7,014,398 B1 * 3/2006 Hellwig B60P 3/075
 410/19
 D519,074 S * 4/2006 McAnally D12/406
 D528,968 S * 9/2006 Storer D12/222
 D529,858 S * 10/2006 Kramer B60R 9/00
 D12/406
 D542,731 S * 5/2007 Kramer B60R 9/00
 D12/406
 D594,813 S * 6/2009 Kramer D12/412
 7,866,592 B2 * 1/2011 Taylor A47F 7/005
 211/85.5
 D694,674 S * 12/2013 Higgins D12/115
 8,696,295 B2 * 4/2014 Robinson B60P 3/122
 280/769
 D708,460 S * 7/2014 Peggs D6/675.1
 D803,144 S * 11/2017 Schwartz D12/408
 D806,188 S * 12/2017 Petek D21/686
 9,840,205 B1 * 12/2017 Marquez B60R 9/02
 10,117,386 B1 * 11/2018 Wilson E01C 13/08
 D841,558 S * 2/2019 Mosingo D12/222

D866,447 S * 11/2019 Ash D12/412
 D866,448 S * 11/2019 Ash D12/412
 D881,785 S * 4/2020 Ajam D12/222
 2002/0009358 A1 * 1/2002 Fisher B66C 23/44
 414/686
 2005/0205629 A1 * 9/2005 Wang B60R 9/10
 224/519
 2006/0289180 A1 * 12/2006 Wentling A01B 31/00
 172/817
 2007/0031234 A1 * 2/2007 Eckstein E02F 3/3672
 414/686
 2008/0121672 A1 * 5/2008 Ripaldi B60R 9/06
 224/498
 2008/0187426 A1 * 8/2008 Page E02F 9/085
 414/686
 2014/0197673 A1 * 7/2014 Fanslow E01C 23/0933
 299/39.3

OTHER PUBLICATIONS

78" Land Plane Attachment Bradco, SkidSteerSolutions.com, [online], [site visited Jun. 6, 2020]. <URL: <https://www.skidsteersolutions.com/78-land-plane-attachment-bradco/>> (Year: 2020).*

Skid Steer Sod Roller Attachment | Blue Diamond, SkidSteerSolutions.com, [online], [site visited Jun. 6, 2020]. <URL: <https://www.skidsteersolutions.com/skid-steer-sod-roller-attachment-blue-diamond/>> (Year: 2020).*

Skid Steer Auger Attachment, GriffinRental.com, [online], [site visited Jun. 6, 2020]. <URL: <https://www.griffinrental.com/equipment.asp?action=category&category=87&key=7875>> (Year: 2020).*

* cited by examiner

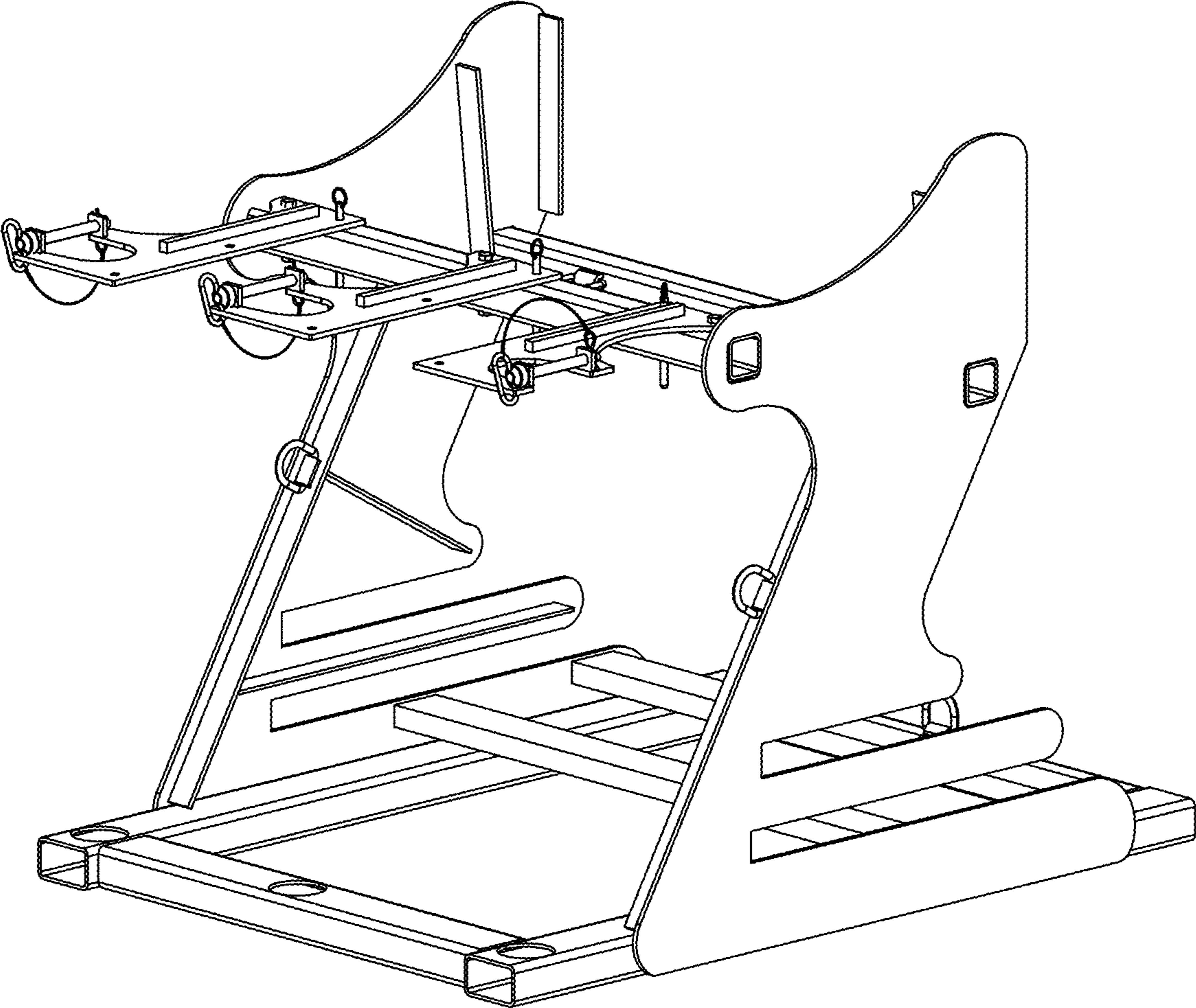


FIG. 1

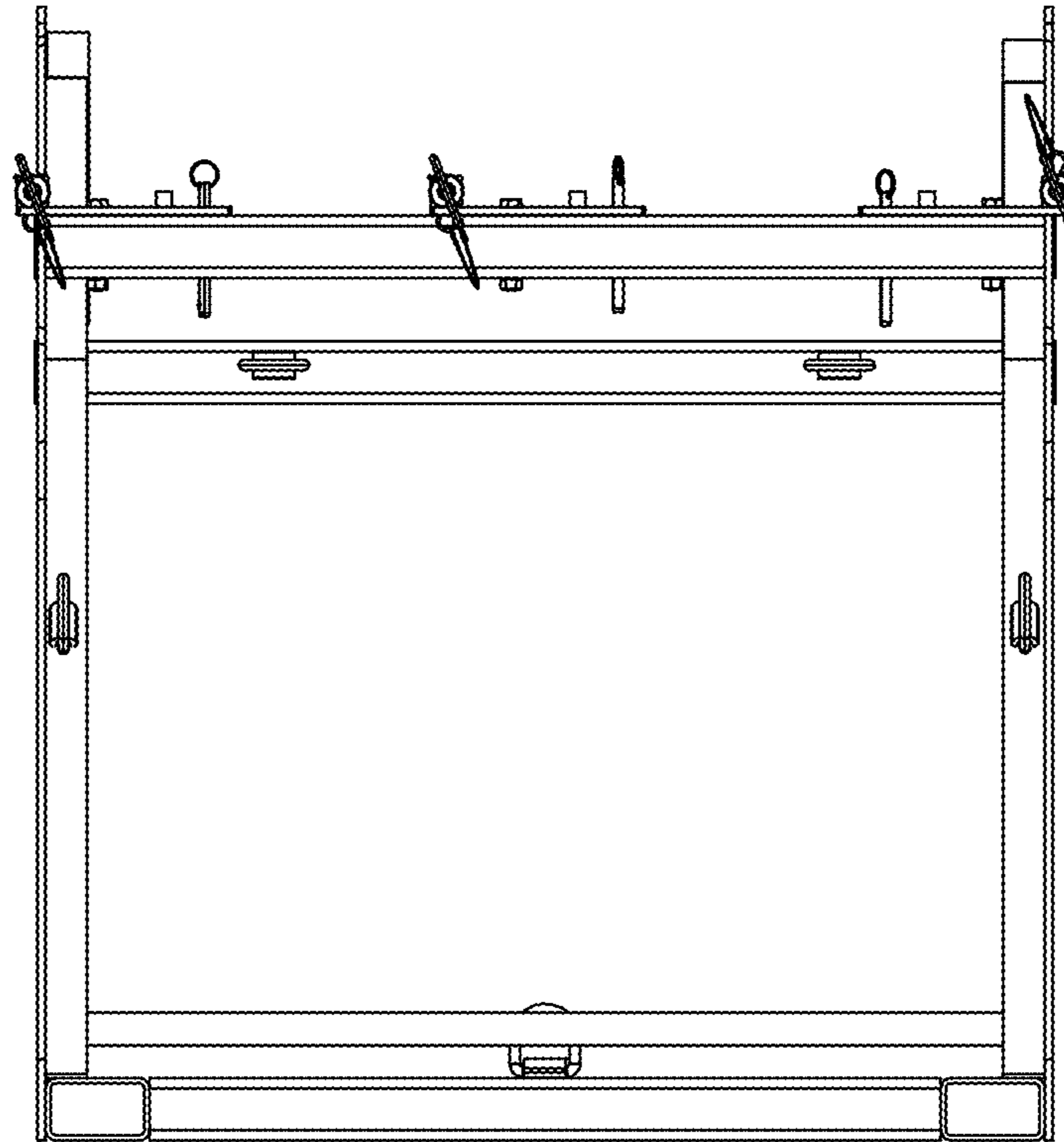


FIG. 2

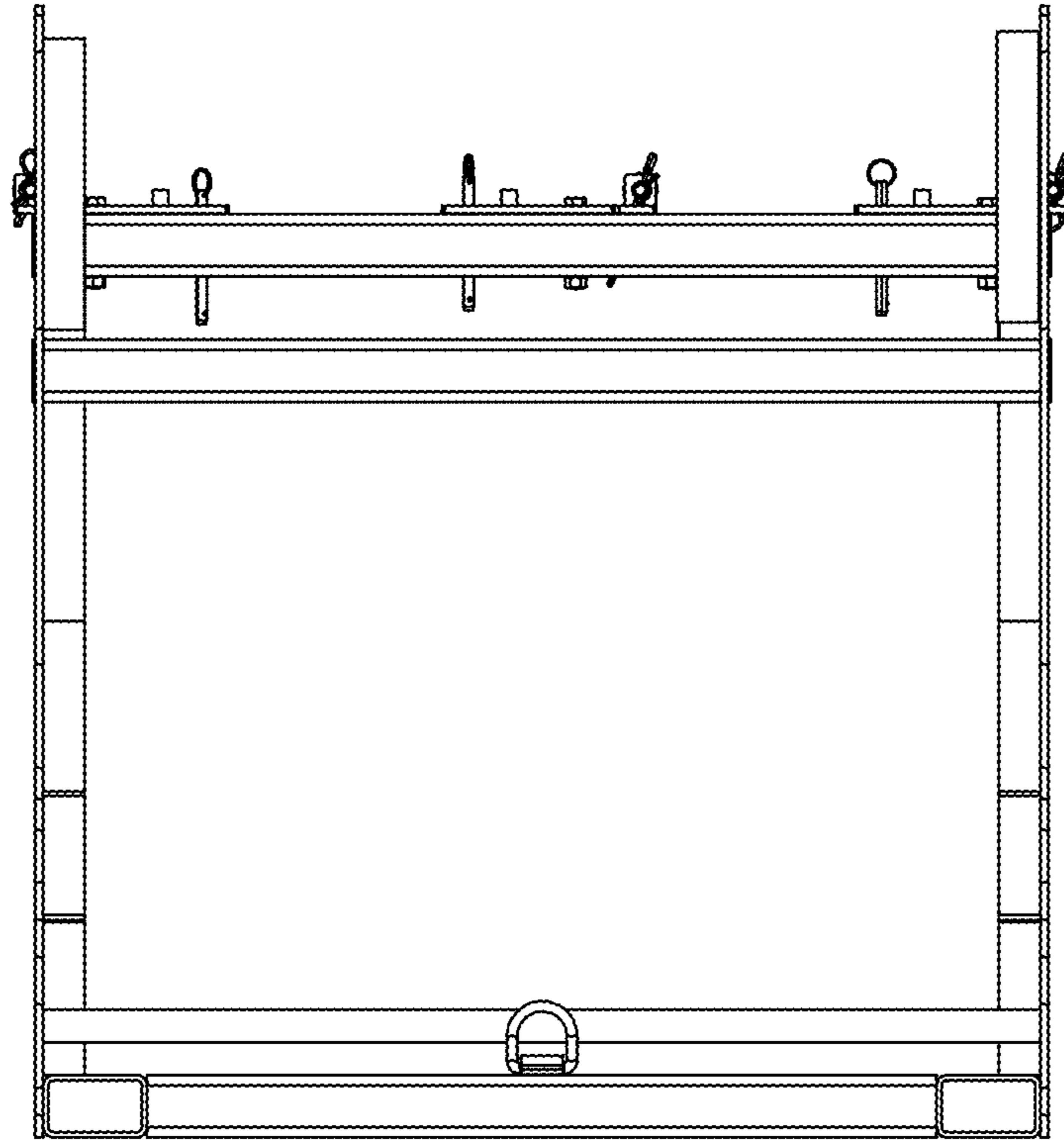


FIG. 3

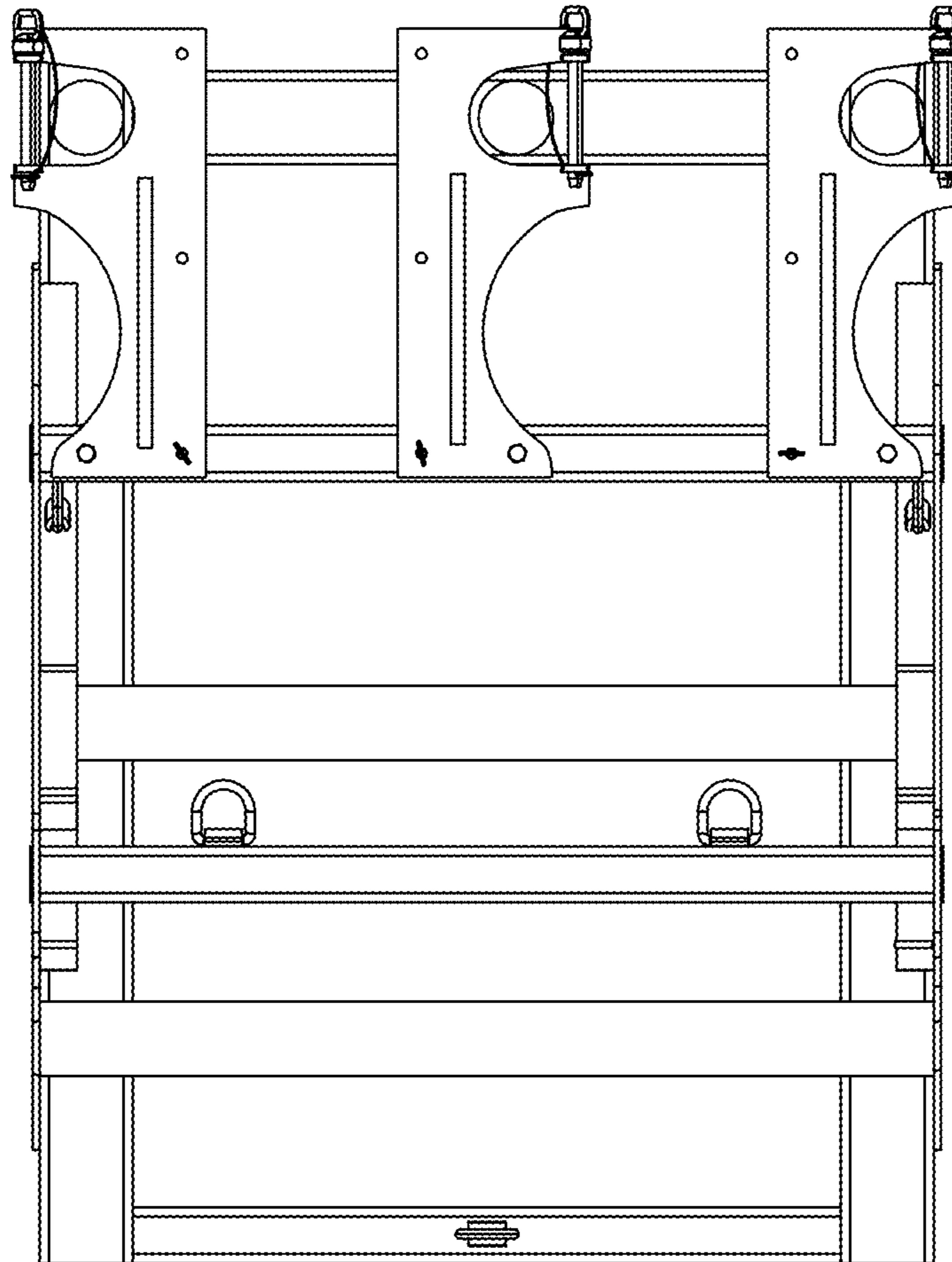


FIG. 4

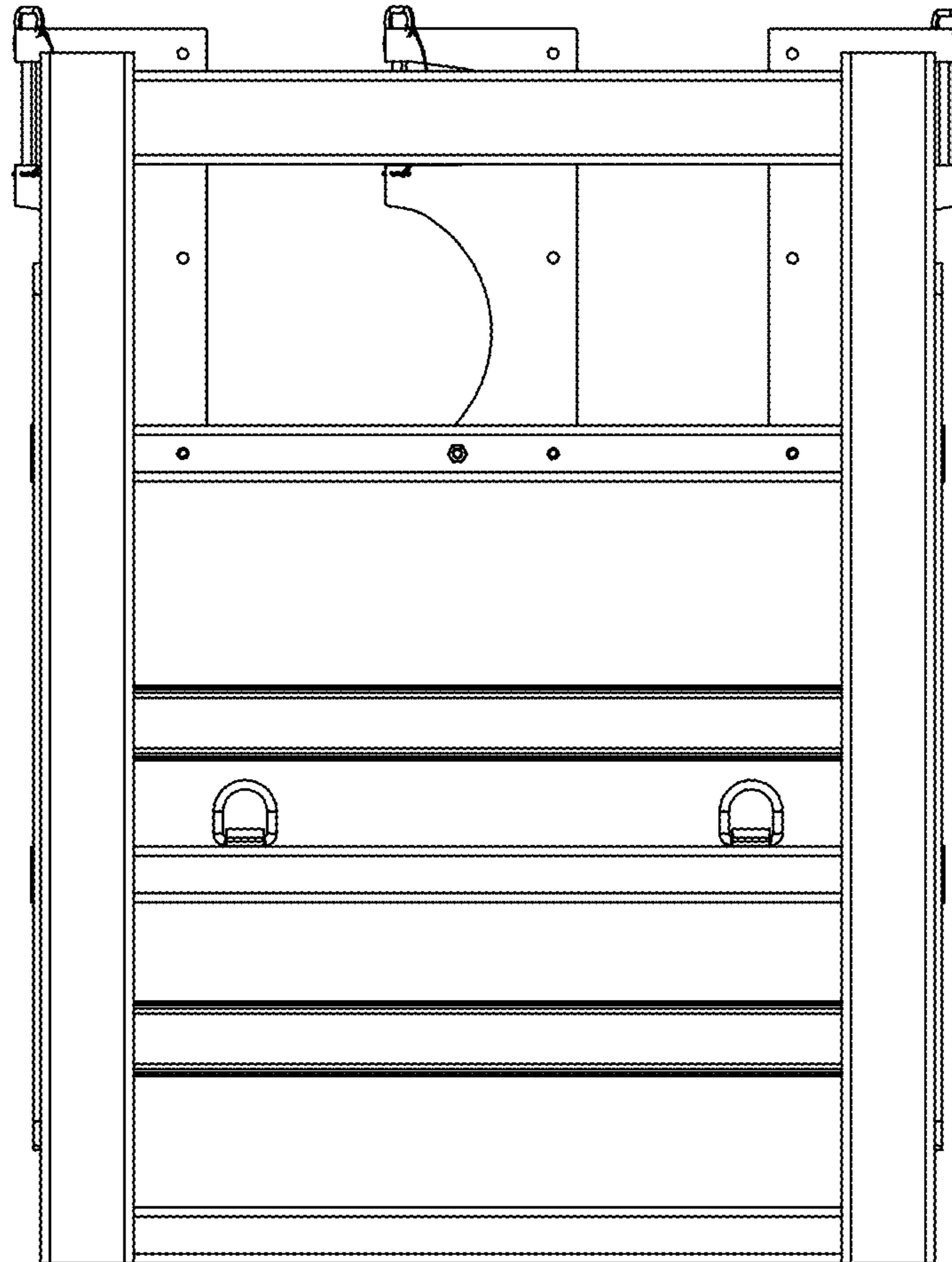


FIG. 5

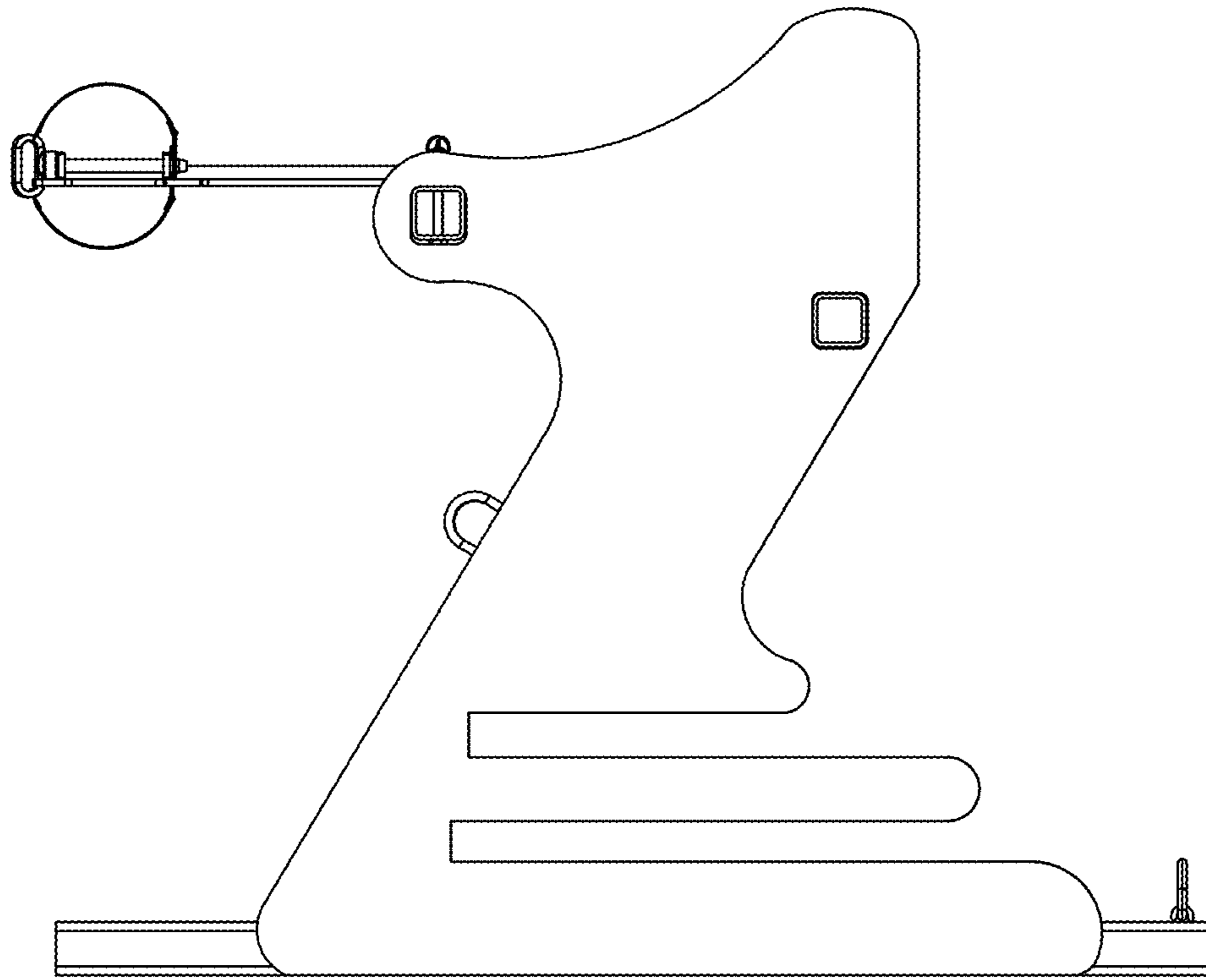


FIG. 6

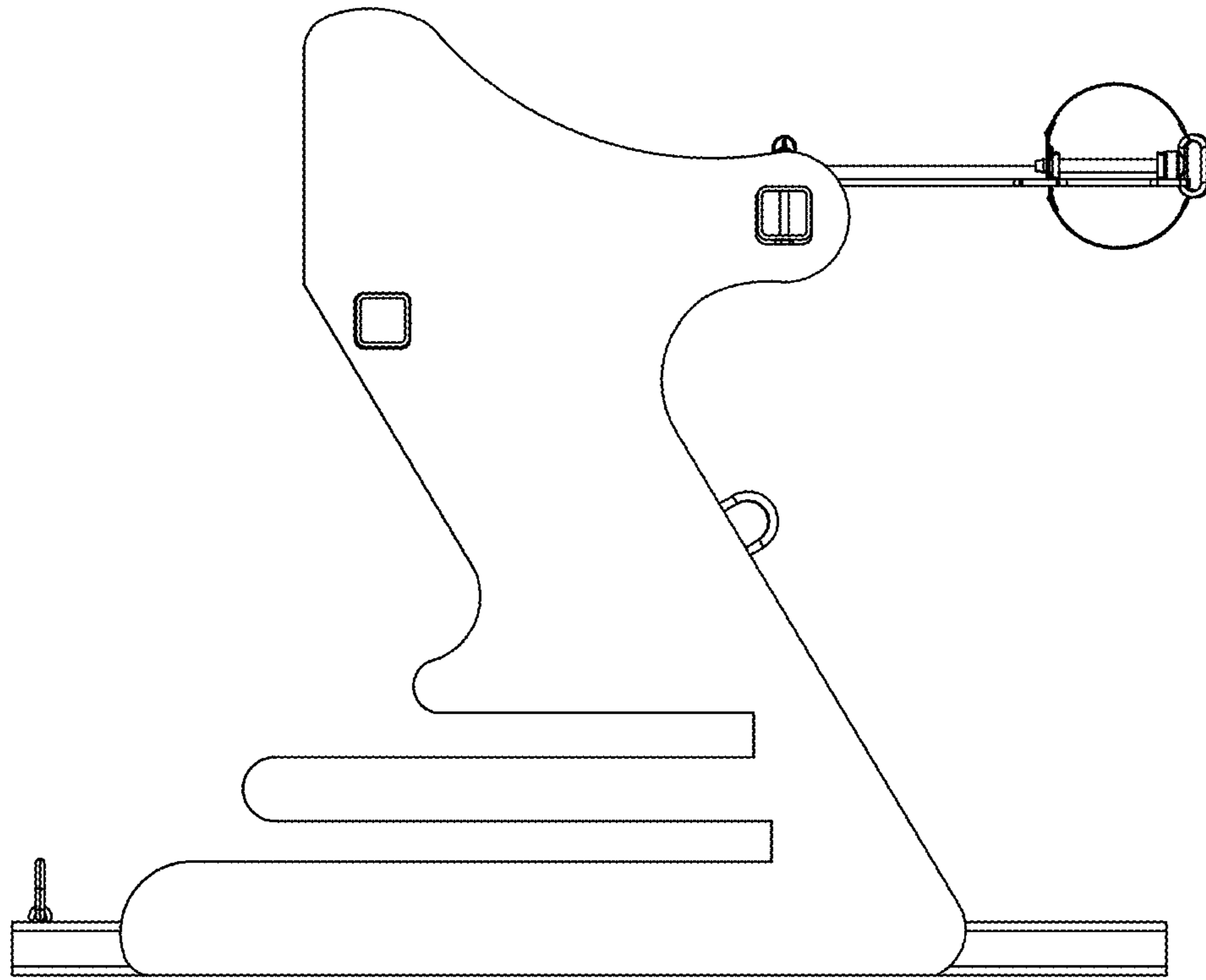


FIG. 7