



US00D908590S

(12) **United States Design Patent**  
**Iverson et al.**

(10) **Patent No.:** **US D908,590 S**  
(45) **Date of Patent:** **\*\* Jan. 26, 2021**

- (54) **EXTENDABLE FENCE**
- (71) Applicant: **MacNeil IP LLC**, Bolingbrook, IL (US)
- (72) Inventors: **David S. Iverson**, Oak Brook, IL (US); **David F. MacNeil**, Fort Lauderdale, IL (US); **Frederick W. Masanek, Jr.**, Barrington, IL (US)
- (73) Assignee: **MACNEIL IP LLC**, Bolingbrook, IL (US)
- (\*\*) Term: **15 Years**
- (21) Appl. No.: **29/683,850**
- (22) Filed: **Mar. 15, 2019**
- (51) **LOC (13) Cl.** ..... **12-16**
- (52) **U.S. Cl.**  
USPC ..... **D12/400**
- (58) **Field of Classification Search**  
USPC ..... D12/400; D25/48.5, 48.3  
CPC ..... B60R 21/02; A01K 1/00  
See application file for complete search history.

- 4,870,925 A 10/1989 Troutman
- 4,986,706 A 1/1991 Williams
- D326,076 S 5/1992 Wiese
- 5,217,419 A \* 6/1993 Harwood ..... A61H 3/00  
135/65
- 5,363,618 A 11/1994 Underwood  
(Continued)

**OTHER PUBLICATIONS**

Petsafe Happy Ride Metal Dog Barrier, posted to amazon.com. Available date: Apr. 23, 2014 [site visited Oct. 5, 2020] Available: <<https://www.amazon.com/PetSafe-Solvit-Tubular-Barrier-Vehicle/dp/B00JZHRYFI>> (Year: 2014).\*

(Continued)

*Primary Examiner* — Kevin K Rudzinski  
(74) *Attorney, Agent, or Firm* — Perkins IP Law Group LLC; Jefferson Perkins

(57) **CLAIM**

We claim the ornamental design for an extendable fence, as shown and described.

**DESCRIPTION**

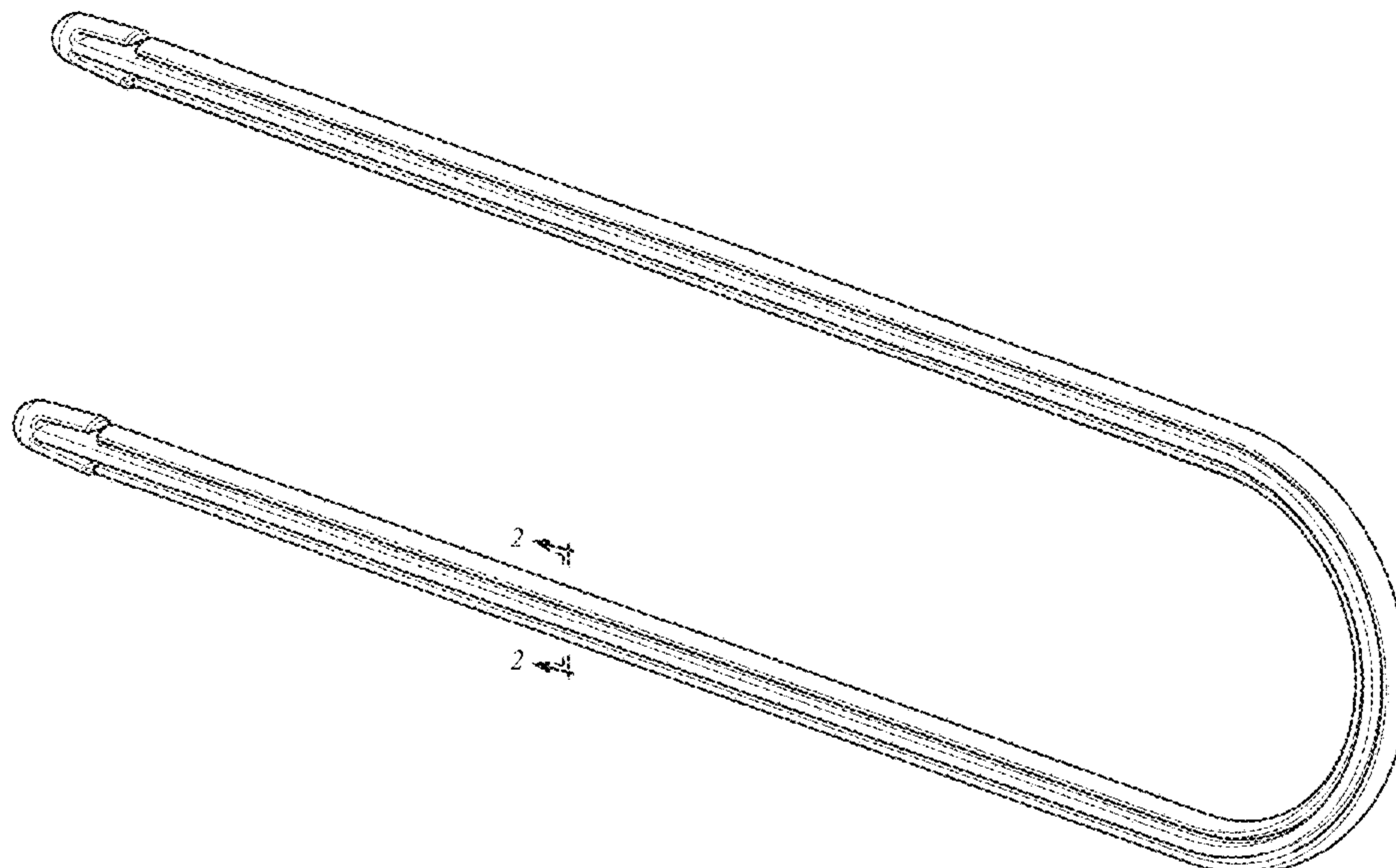
FIG. 1 is a perspective view of the claimed design for an extendable fence;  
FIG. 2 is a cross sectional view of the extendable fence taken along line 2-2 of FIG. 1;  
FIG. 3 is a top view of the expandable fence shown in FIG. 1, a bottom view being identical to the top view thereof;  
FIG. 4 is a front view of the expandable fence shown in FIG. 1, a rear view being identical to the left side view thereof;  
FIG. 5 is an outboard end view of the expandable fence shown in FIG. 1; and,  
FIG. 6 is an inboard end view of the expandable fence shown in FIG. 1.

**1 Claim, 3 Drawing Sheets**

(56) **References Cited**

**U.S. PATENT DOCUMENTS**

- D43,457 S \* 1/1913 Ferris ..... D30/114
- 1,656,127 A \* 1/1928 Sargent ..... A01K 3/00  
256/25
- 2,219,169 A 10/1940 Alter
- 2,891,257 A 6/1959 Posey
- 2,903,227 A 9/1959 Key
- 2,982,579 A 5/1961 Greenwald
- 3,002,784 A \* 10/1961 Bagg ..... B62D 33/06  
296/85
- 3,044,800 A 7/1962 Wicker
- 3,949,706 A 4/1976 Coon
- 4,572,109 A \* 2/1986 Nixon ..... A01K 1/0023  
119/840
- 4,653,562 A 3/1987 Moss et al.



(56)

References Cited

U.S. PATENT DOCUMENTS

5,409,029 A 4/1995 Davis  
 D393,622 S 4/1998 Goertzen  
 5,800,145 A 9/1998 Kelce  
 5,824,253 A 10/1998 Kassardjian et al.  
 5,924,469 A 7/1999 Whittemore  
 6,012,753 A 1/2000 Ordoyne et al.  
 D433,354 S 11/2000 Donets  
 6,499,434 B1 12/2002 Tyler  
 D473,838 S 4/2003 Wang  
 D474,282 S \* 5/2003 Miller ..... D25/48.5  
 6,799,534 B1 10/2004 Wang  
 6,848,732 B2 2/2005 Green  
 6,923,487 B1 8/2005 Wang  
 7,017,520 B2 3/2006 Wang  
 D528,965 S 9/2006 Wang  
 D572,115 S 7/2008 Cunningham et al.  
 D620,131 S \* 7/2010 Ray ..... D25/48.3  
 7,900,801 B2 3/2011 Huang  
 D644,090 S \* 8/2011 Sittig ..... D8/367  
 8,226,056 B2 7/2012 Kallman  
 8,678,021 B2 3/2014 Vasilatos et al.  
 8,746,266 B2 6/2014 Palmer et al.  
 8,864,001 B2 10/2014 Langseder  
 D722,942 S 2/2015 Renforth et al.  
 8,973,964 B2 3/2015 Link et al.  
 D729,723 S 5/2015 Reed  
 D738,712 S 9/2015 Cooper  
 D741,480 S 10/2015 Chavan et al.  
 9,174,599 B2 11/2015 Wang  
 D764,161 S 8/2016 Vasilatos et al.  
 9,421,932 B2 8/2016 Renforth et al.  
 D771,898 S 11/2016 Albuja  
 D776,587 S 1/2017 Nussbaumer  
 9,566,923 B2 2/2017 Wylezinski  
 9,822,807 B2 11/2017 Link et al.  
 D808,786 S 1/2018 Nehl  
 D812,334 S 3/2018 Grimes  
 9,963,078 B1 5/2018 Zimmermann et al.  
 D819,531 S 6/2018 Ye  
 D821,955 S 7/2018 Dexter

D822,291 S 7/2018 Spinelli et al.  
 10,183,644 B1 \* 1/2019 Iverson ..... B60R 21/026  
 10,322,690 B2 \* 6/2019 Wang ..... E06B 9/02  
 2003/0057722 A1 \* 3/2003 Dolman ..... B60R 21/026  
 296/24.43  
 2007/0210597 A1 \* 9/2007 Wang ..... B60R 21/06  
 296/24.43  
 2008/0005967 A1 1/2008 Johnson et al.  
 2009/0256377 A1 \* 10/2009 Beechie ..... B60R 21/026  
 296/24.46  
 2011/0023788 A1 \* 2/2011 Beechie ..... B60R 21/026  
 119/172  
 2011/0185867 A1 8/2011 MacNeil et al.  
 2012/0181808 A1 7/2012 Reed et al.  
 2013/0291913 A1 11/2013 Soletski et al.  
 2014/0190089 A1 7/2014 Alarcon et al.  
 2014/0196394 A1 7/2014 Greeson et al.  
 2015/0104285 A1 4/2015 Quinn  
 2016/0095431 A1 4/2016 Chen  
 2016/0339314 A1 11/2016 Parsons  
 2017/0108024 A1 4/2017 Mayer  
 2018/0050738 A1 2/2018 Lee  
 2018/0185724 A1 7/2018 Lalaoua

OTHER PUBLICATIONS

Midwest Tubular Dog Car Barrier posted to amazon.com. Date available: Nov. 1, 2000 [site visited Oct. 5, 2020] Available: <<https://www.amazon.com/Bar-Tubular-Pet-Vehicle-Barrier/dp/B00006IGSK>> (Year: 2000).\*

Macneil Automotive Products Limited, WeatherTech Pet Barrier, Instruction Manual, 3 pages, Mar. 2002.

Macneil Automotive Products Limited, WeatherTech Pet Barrier, Extension Instruction Manual, 3 pages, Mar. 2002.

Highland 2004500 Black Universal Pet Barrier, image post date Nov. 21, 2013, site visited Jul. 13, 2018, (online), www.amazon.com.

Expawlorer Vehicle Pet Barrier for SUV Dog Car Guard, image post date Feb. 4, 2017, site visited Jul. 13, 2018, (online), www.amazon.com.

\* cited by examiner

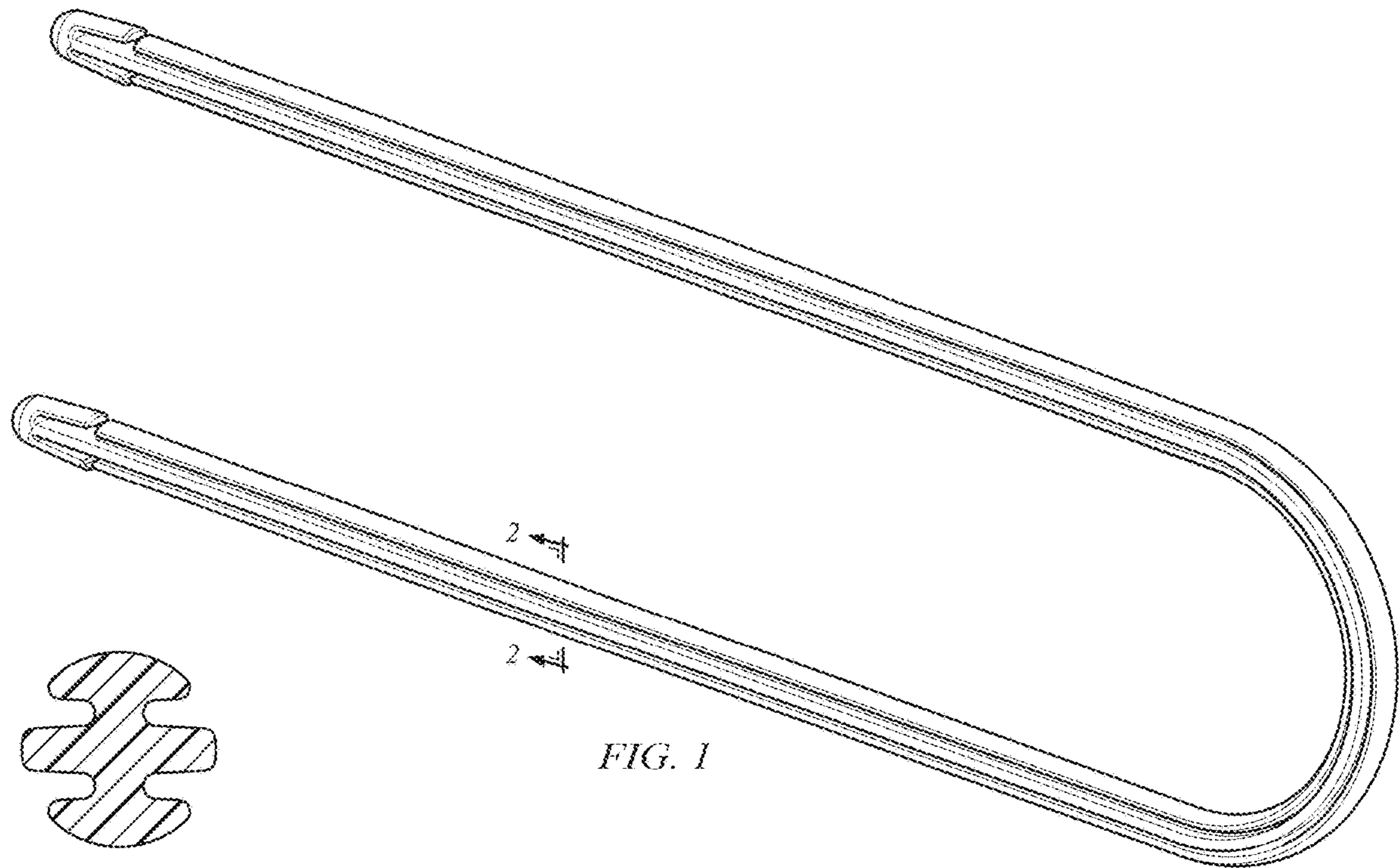


FIG. 1

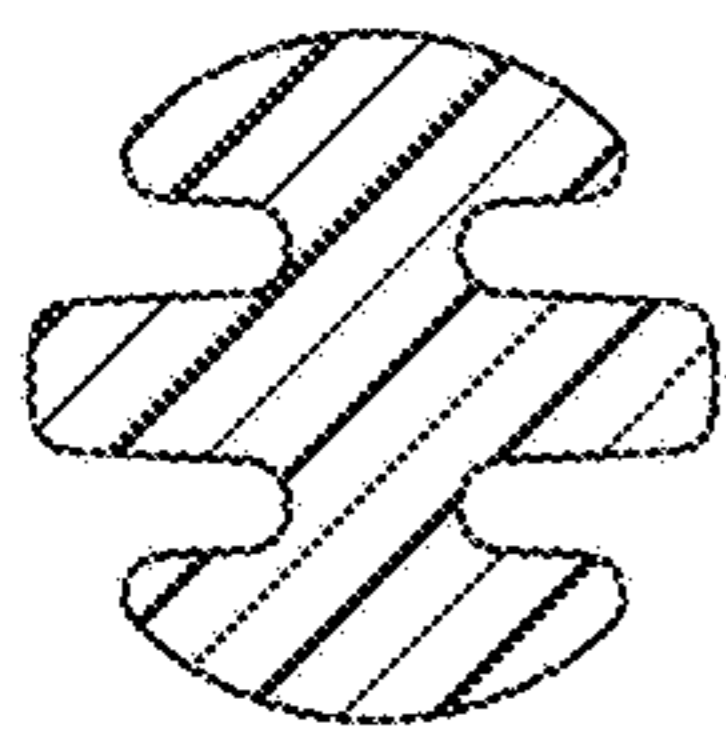


FIG. 2

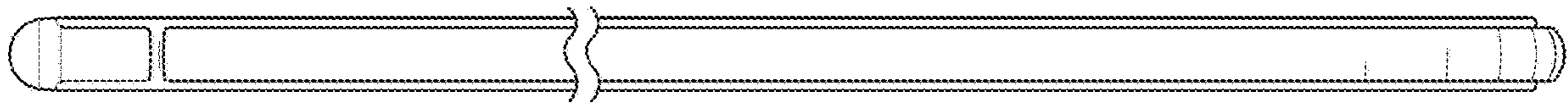


FIG. 3

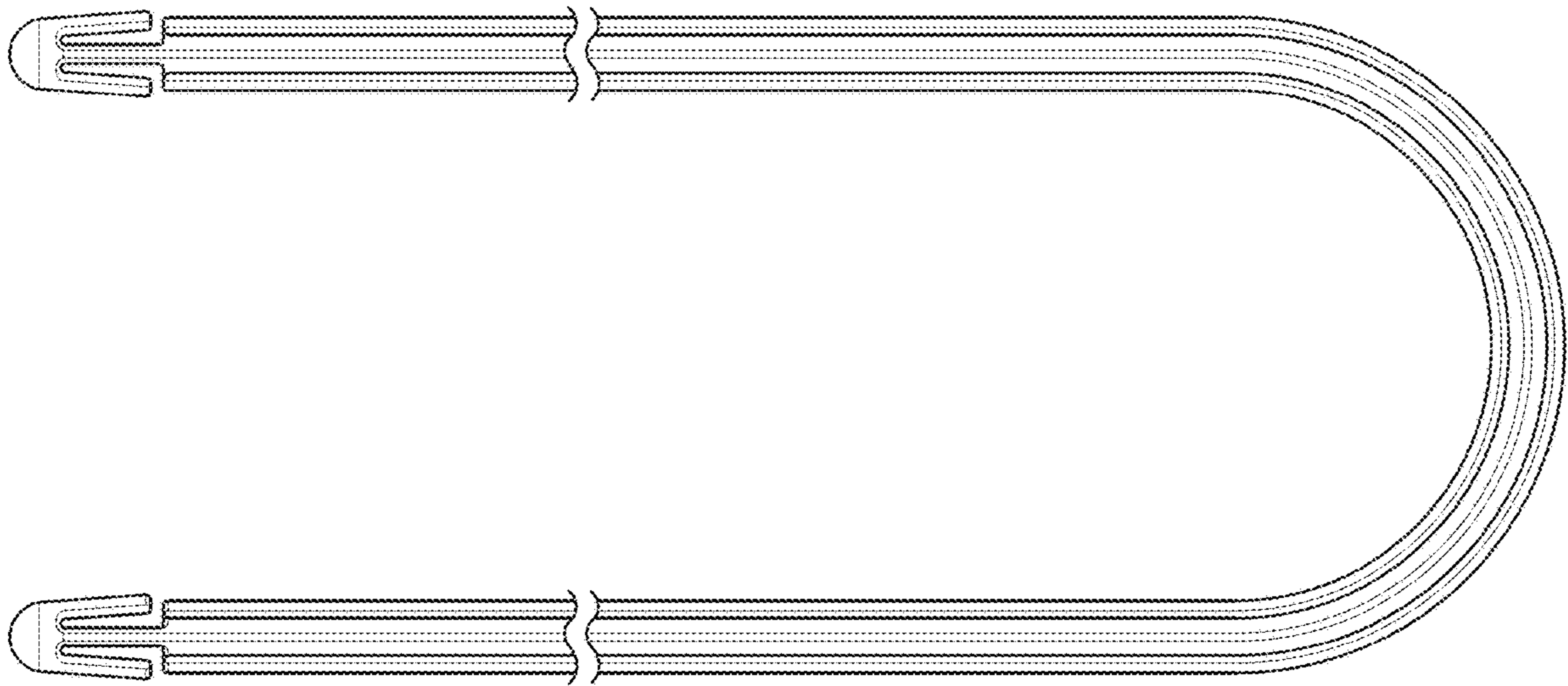
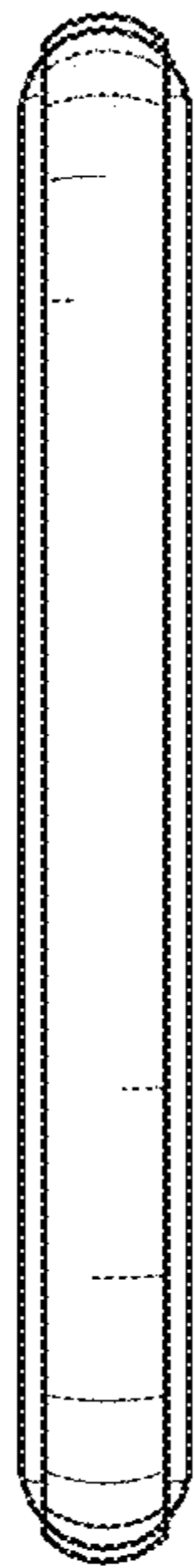
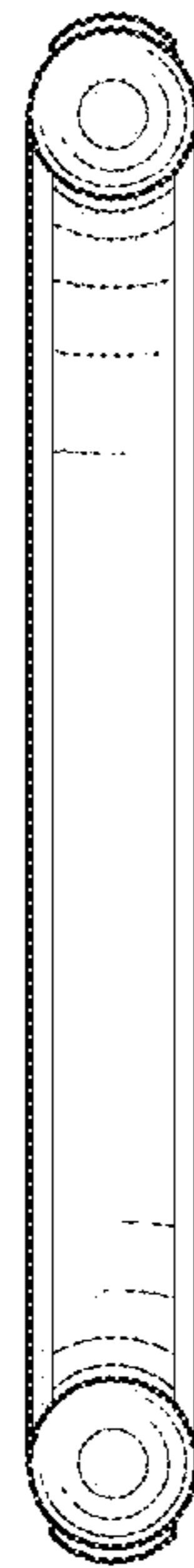


FIG. 4



*FIG. 5*



*FIG. 6*