



US00D908588S

(12) **United States Design Patent** (10) **Patent No.:** **US D908,588 S**
Zhao et al. (45) **Date of Patent:** **** Jan. 26, 2021**

(54) **AERIAL VEHICLE**

FOREIGN PATENT DOCUMENTS

(71) Applicant: **SZ DJI Technology Co., Ltd.**,
Shenzhen (CN)

CN 302814372 S 5/2014
CN 303142773 S 3/2015

(Continued)

(72) Inventors: **Yun Zhao**, Shenzhen (CN); **Shaojie Chen**, Shenzhen (CN); **Yiwei Chen**, Shenzhen (CN); **Zhen Wang**, Shenzhen (CN); **Bo Liang**, Shenzhen (CN)

OTHER PUBLICATIONS

DJI Mavic 2 Pro Drone. by Mark Myerson. dated Sep. 2, 2018. found online [May 7, 2020] <https://thegadgetflow.com/portfolio/dji-mavic-2-pro-drone/>.*

(Continued)

(73) Assignee: **SZ DJI Technology Co., Ltd.**,
Shenzhen (CN)

(**) Term: **15 Years**

Primary Examiner — Marissa J Cash

(21) Appl. No.: **29/654,658**

(74) *Attorney, Agent, or Firm* — Sterne, Kessler, Goldstein & Fox P.L.L.C.

(22) Filed: **Jun. 26, 2018**

(51) **LOC (13) Cl.** **12-06**

(52) **U.S. Cl.**

USPC **D12/328**; D12/16.1

(58) **Field of Classification Search**

USPC D12/1-4, 16.1, 319-345; D21/436-455;
D25/13, 199

CPC B64C 29/0033; B64C 29/02; B64C 2201/021; B64C 2201/088; B64C 2201/104; B64C 2201/141; B64C 29/00; B64C 29/0025; B64G 2001/1064; B64G 2001/1071; B64G 5/00; B64G 1/46

See application file for complete search history.

(57) **CLAIM**

The ornamental design for an aerial vehicle, as shown and described.

DESCRIPTION

This application incorporates by reference in its entirety each of the following U.S. Design patent application Ser. Nos., filed on the same day herewith:

29/654,662, titled "Battery"

29/654,663, titled "Camera"

29/654,665, titled "Camera With Gimbal"

FIG. 1 is a top rear perspective view of an aerial vehicle showing the claimed design;

FIG. 2 is a bottom front perspective view thereof;

FIG. 3 is a front view thereof;

FIG. 4 is a rear view thereof;

FIG. 5 is a left side view thereof;

FIG. 6 is a right side view thereof;

FIG. 7 is a top view thereof; and,

FIG. 8 is a bottom view thereof.

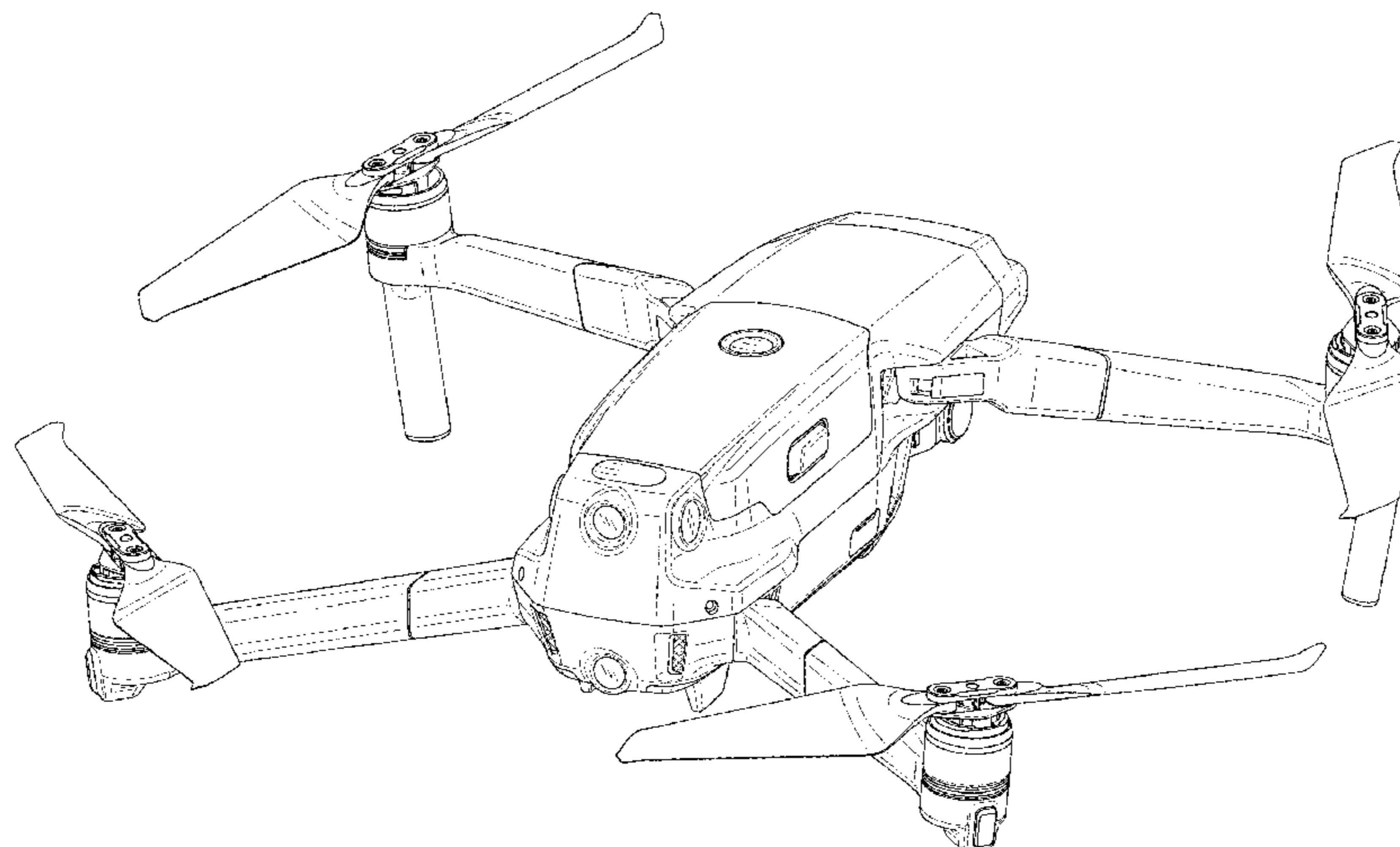
(56) **References Cited**

U.S. PATENT DOCUMENTS

D695,674 S 12/2013 Nolan et al.
D710,452 S 8/2014 Barajas et al.
D710,454 S 8/2014 Barajas et al.
D741,779 S 10/2015 Hsiao et al.
9,296,477 B1 3/2016 Coburn
D768,539 S 10/2016 Lee
D768,789 S 10/2016 Fargeau et al.
D772,991 S 11/2016 Caubel et al.
D777,263 S 1/2017 Lavagen et al.
D782,365 S 3/2017 Hung

(Continued)

1 Claim, 6 Drawing Sheets



(56)

References Cited

U.S. PATENT DOCUMENTS

9,663,236 B1 5/2017 Shiosaki et al.
D800,016 S * 10/2017 Huang D12/16.1
D803,098 S * 11/2017 Lee D12/16.1
D803,328 S 11/2017 Lee
D805,431 S 12/2017 Li
D808,301 S 1/2018 Goldy
D809,992 S * 2/2018 Hu D12/328
9,896,195 B2 2/2018 Ou
D813,724 S 3/2018 Hu
D814,970 S * 4/2018 Chen D12/16.1
D814,973 S 4/2018 Li
D816,582 S 5/2018 Liang et al.
D817,850 S * 5/2018 Xiao D12/328
D818,872 S 5/2018 Ho
D818,874 S 5/2018 Tian et al.
D819,749 S 6/2018 Caubel et al.
10,037,028 B2 7/2018 Loianno
D825,379 S 8/2018 Gury et al.
D825,381 S 8/2018 Meugnier et al.
D827,723 S 9/2018 Barajas
D827,724 S 9/2018 Barajas et al.
D828,222 S 9/2018 Yu
D843,267 S * 3/2019 Gao D12/16.1
D852,673 S * 7/2019 Chen D12/16.1
D853,279 S * 7/2019 Gan D12/16.1
D854,448 S * 7/2019 Chen D12/16.1
D857,105 S * 8/2019 Zhang D21/441
D860,048 S * 9/2019 Caubel D12/16.1
D861,573 S * 10/2019 He D12/328
D866,396 S * 11/2019 Chen D12/16.1
D869,375 S * 12/2019 Kim D12/328
D873,175 S * 1/2020 Li D12/16.1
D874,338 S * 2/2020 Zhao D12/16.1
D874,973 S * 2/2020 Zhou D12/16.1
D874,974 S * 2/2020 Zhou D12/16.1
D881,067 S * 4/2020 Zhou D12/16.1
D882,460 S * 4/2020 Chen D12/16.1
D884,554 S * 5/2020 Chen D12/16.1
2010/0224721 A1 9/2010 Wood et al.
2015/0336670 A1 11/2015 Zhang
2016/0062364 A1 3/2016 Foinet et al.

2016/0122017 A1 5/2016 Welker et al.
2016/0236777 A1 8/2016 Tang
2016/0313732 A1 10/2016 Seydoux et al.
2016/0313742 A1 10/2016 Wang
2017/0001721 A1 1/2017 Saika et al.
2017/0078552 A1 3/2017 Pochon et al.
2017/0183074 A1 6/2017 Hutson et al.
2018/0016022 A1 1/2018 Ljung
2018/0032087 A1 2/2018 Line
2018/0050799 A1 2/2018 Erhart et al.
2018/0093781 A1 4/2018 Mallinson
2018/0095468 A1 4/2018 Yang
2018/0111685 A1 4/2018 Tian et al.
2018/0129913 A1 5/2018 Vauchier et al.
2018/0143636 A1 5/2018 Pinto
2018/0149947 A1 5/2018 Kim
2018/0183496 A1 6/2018 Gasnier et al.
2018/0208301 A1 7/2018 Ye

FOREIGN PATENT DOCUMENTS

CN 303189591 S 4/2015
CN 303197220 S 5/2015
CN 303274617 S 7/2015
CN 303403033 S 10/2015
CN 303478219 S 12/2015
CN 303562865 S 1/2016
CN 303562867 S 1/2016
CN 205971800 U 2/2017
CN 205998124 U 3/2017
JP D1538530 11/2015
WO WO 2010-036419 A2 4/2010

OTHER PUBLICATIONS

“Mavic,” posted at DJI.com, site visited Apr. 11, 2017, <<http://www.dji.com/mavic>>.
DJI Mavic Pro review, posted on CNET.com, site visited Apr. 11, 2017, <<https://www.cnet.com/products/dji-mavic-pro/review/>>.
The DJI Mavic Is Here!, posted at Topfivedrones.com, site visited Apr. 11, 2017, <<http://topfivedrones.com/the-dji-mavic-is-here/>>.

* cited by examiner

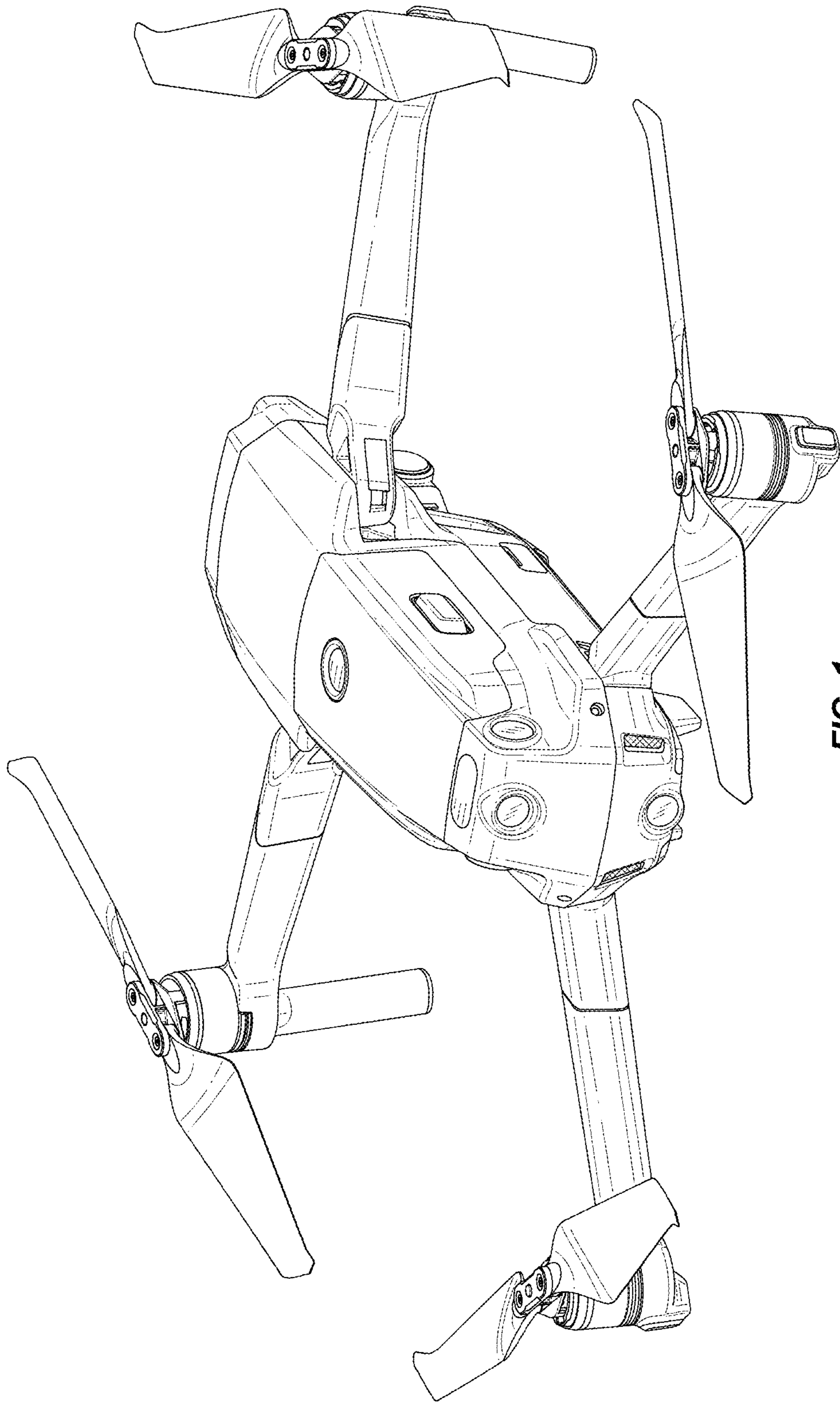


FIG. 1

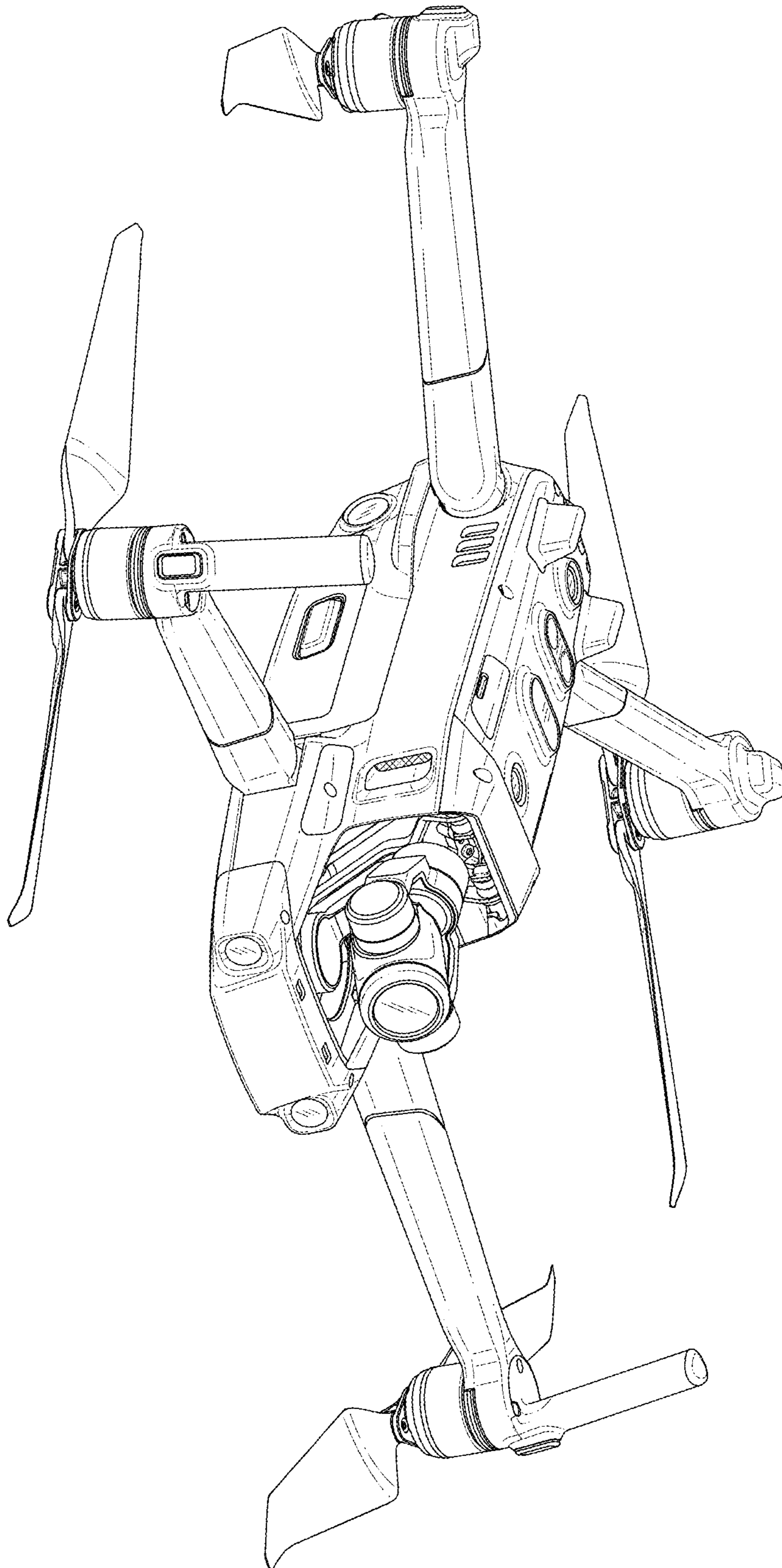


FIG. 2

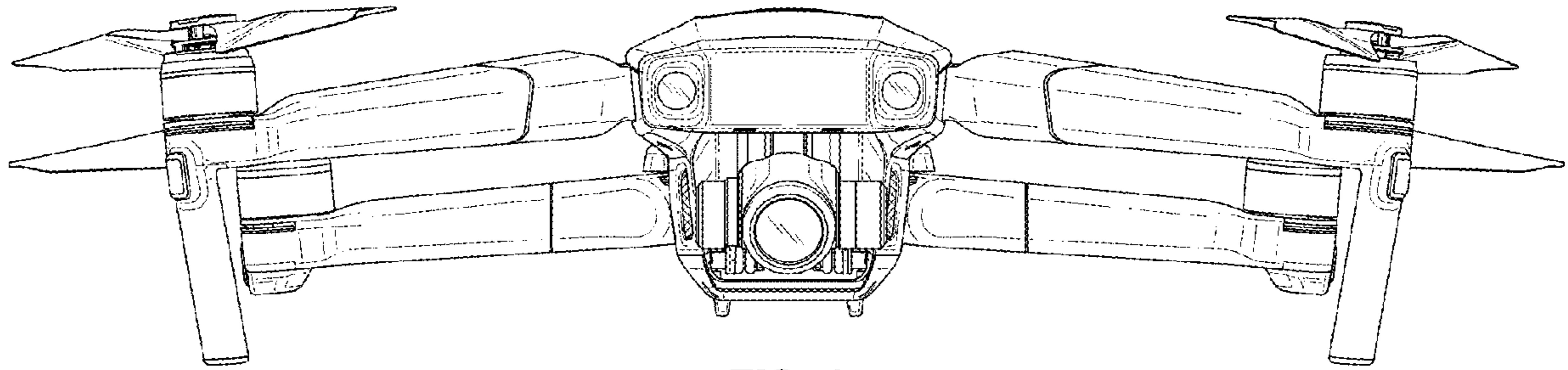


FIG. 3

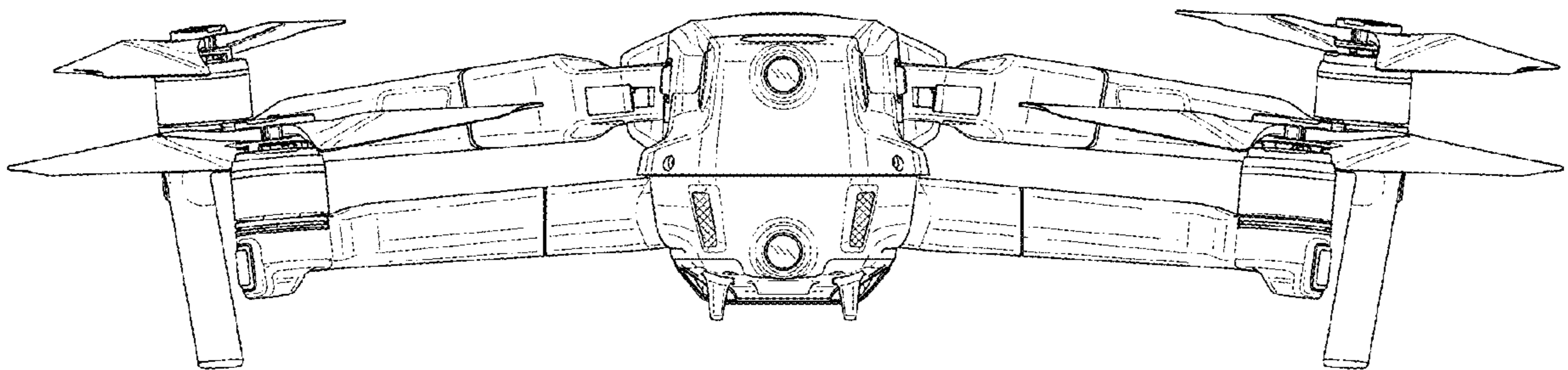


FIG. 4

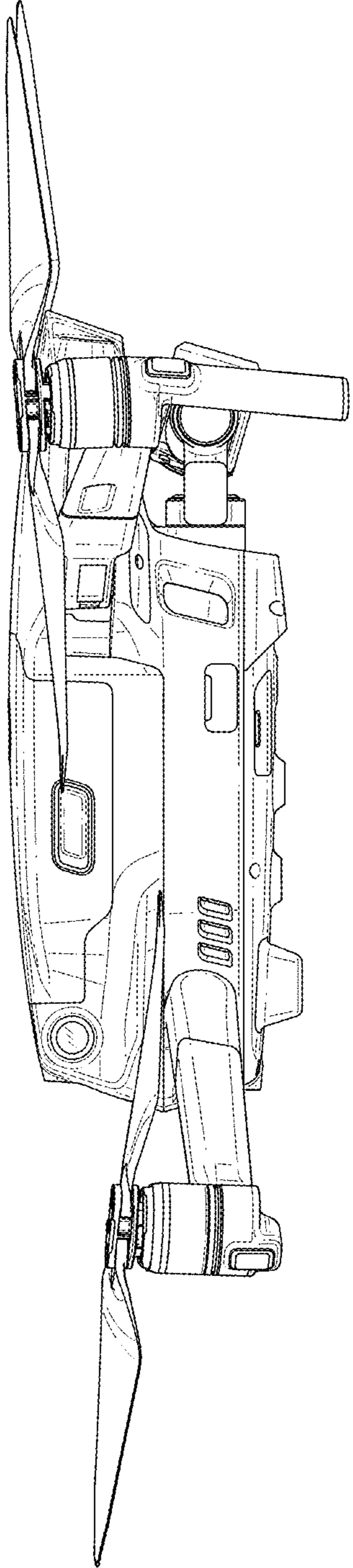


FIG. 5

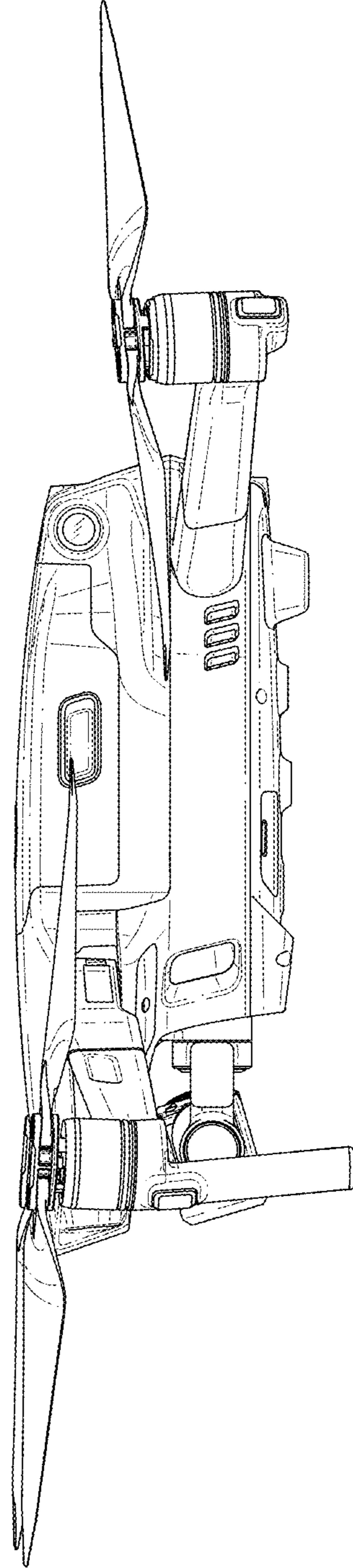


FIG. 6

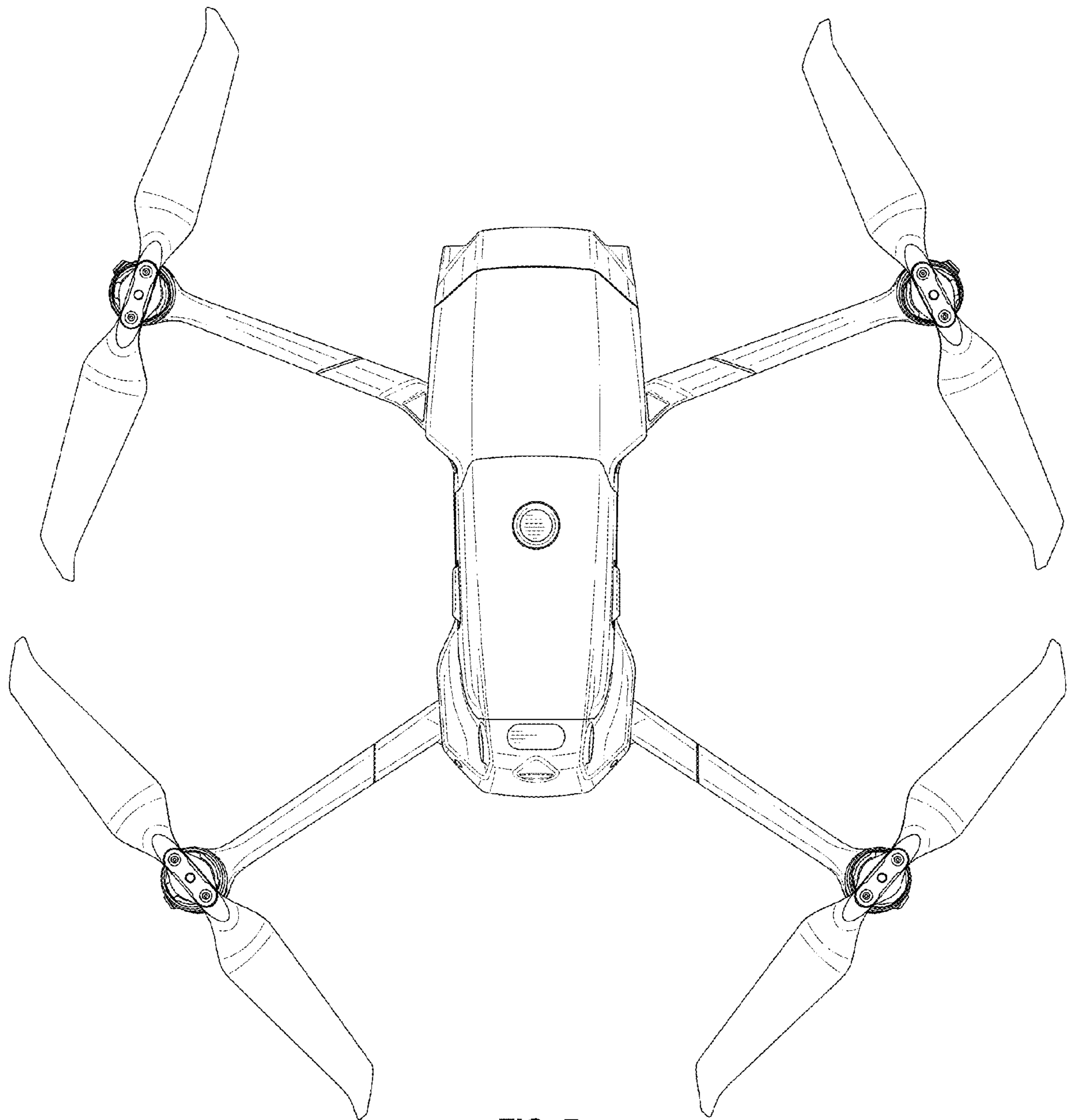


FIG. 7

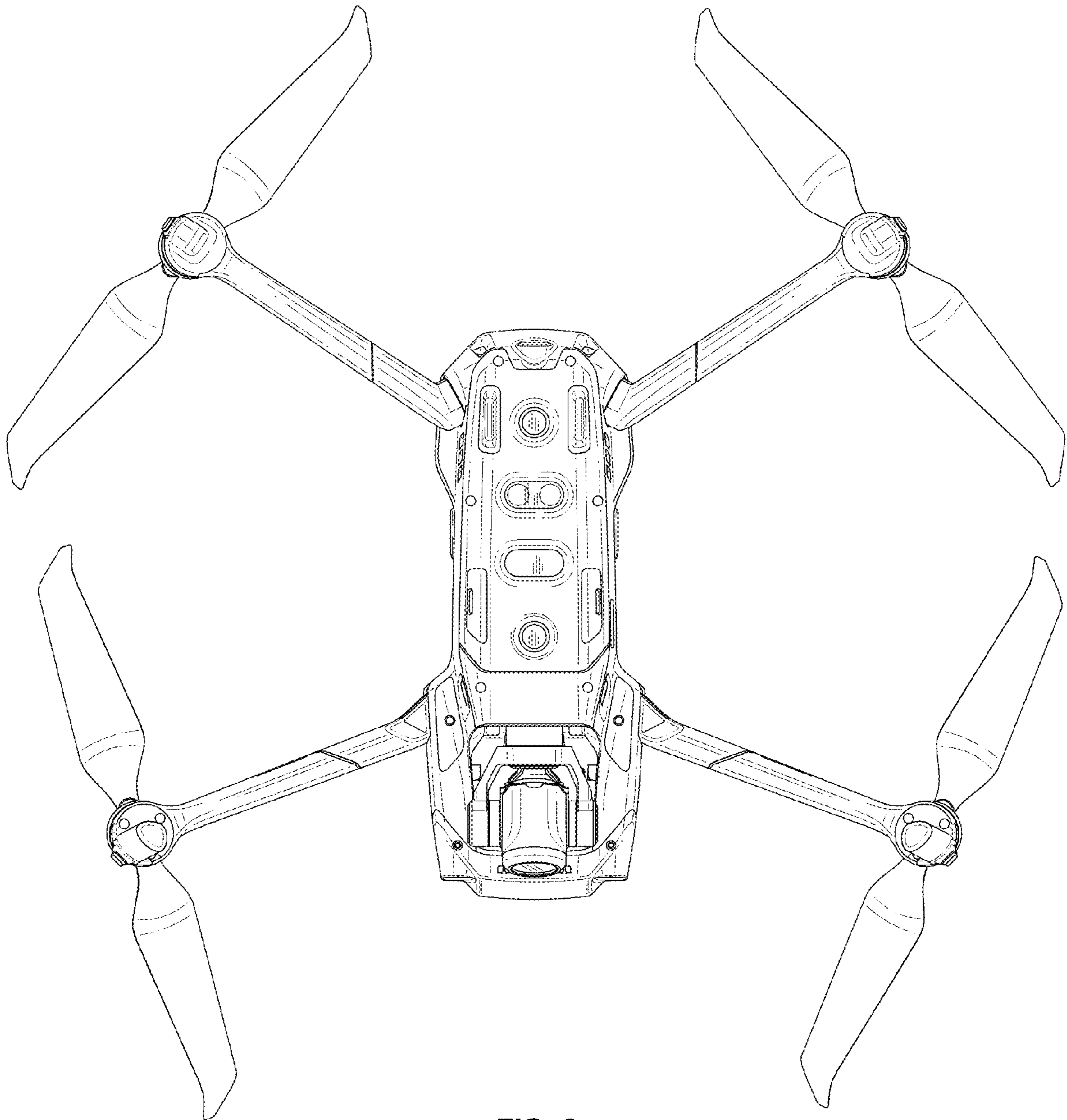


FIG. 8