



US00D908587S

(12) **United States Design Patent** (10) **Patent No.:** **US D908,587 S**  
**Chen et al.** (45) **Date of Patent:** **\*\* Jan. 26, 2021**

(54) **AERIAL VEHICLE**  
(71) Applicant: **SZ DJI Technology Co., Ltd.**,  
Shenzhen (CN)  
(72) Inventors: **Shaojie Chen**, Shenzhen (CN); **Zhen Wang**,  
Shenzhen (CN); **Yun Zhao**,  
Shenzhen (CN)  
(73) Assignee: **SZ DJI Technology Co., Ltd.**,  
Shenzhen (CN)

4,173,321 A 11/1979 Eickmann  
4,786,008 A 11/1988 Corbett  
4,795,111 A 1/1989 Moller  
4,799,629 A 1/1989 Mori  
5,082,079 A 1/1992 Lissaman et al.  
6,260,796 B1 7/2001 Klingensmith  
D465,196 S 11/2002 Dammar

(Continued)

**FOREIGN PATENT DOCUMENTS**

CN 302321461 S 2/2013  
CN 302759596 S 3/2014

(Continued)

(\*\*) Term: **15 Years**

(21) Appl. No.: **29/621,651**

(22) Filed: **Oct. 10, 2017**

**Related U.S. Application Data**

(63) Continuation of application No. 29/552,818, filed on  
Jan. 26, 2016, now Pat. No. Des. 843,266.

(51) **LOC (13) Cl.** ..... **12-06**

(52) **U.S. Cl.**  
USPC ..... **D12/328**; D12/16.1

(58) **Field of Classification Search**  
USPC ..... D12/1, 2, 3, 4, 16.1, 319–345;  
D21/437–455  
CPC ..... B64C 29/0033; B64C 2201/021; B64C  
29/02; B64C 2201/088; B64C 2201/104;  
B64C 2201/141  
See application file for complete search history.

(56) **References Cited**

**U.S. PATENT DOCUMENTS**

3,053,480 A 9/1962 Vanderlip  
3,185,410 A 5/1965 Smart  
3,211,399 A 10/1965 Eickmann  
3,253,806 A 5/1966 Eickmann  
3,345,016 A 10/1967 Eickmann  
3,768,757 A 10/1973 Eickmann  
3,794,273 A 2/1974 Girard

**OTHER PUBLICATIONS**

DJI Phantom 4. by Drew Prindle. dated Mar. 13, 2018. found online  
[Apr. 15, 2020] <https://www.digitaltrends.com/drone-reviews/dji-phantom-4-pro-review/>.\*

*Primary Examiner* — Marissa J Cash

(74) *Attorney, Agent, or Firm* — Sterne, Kessler,  
Goldstein & Fox P.L.L.C.

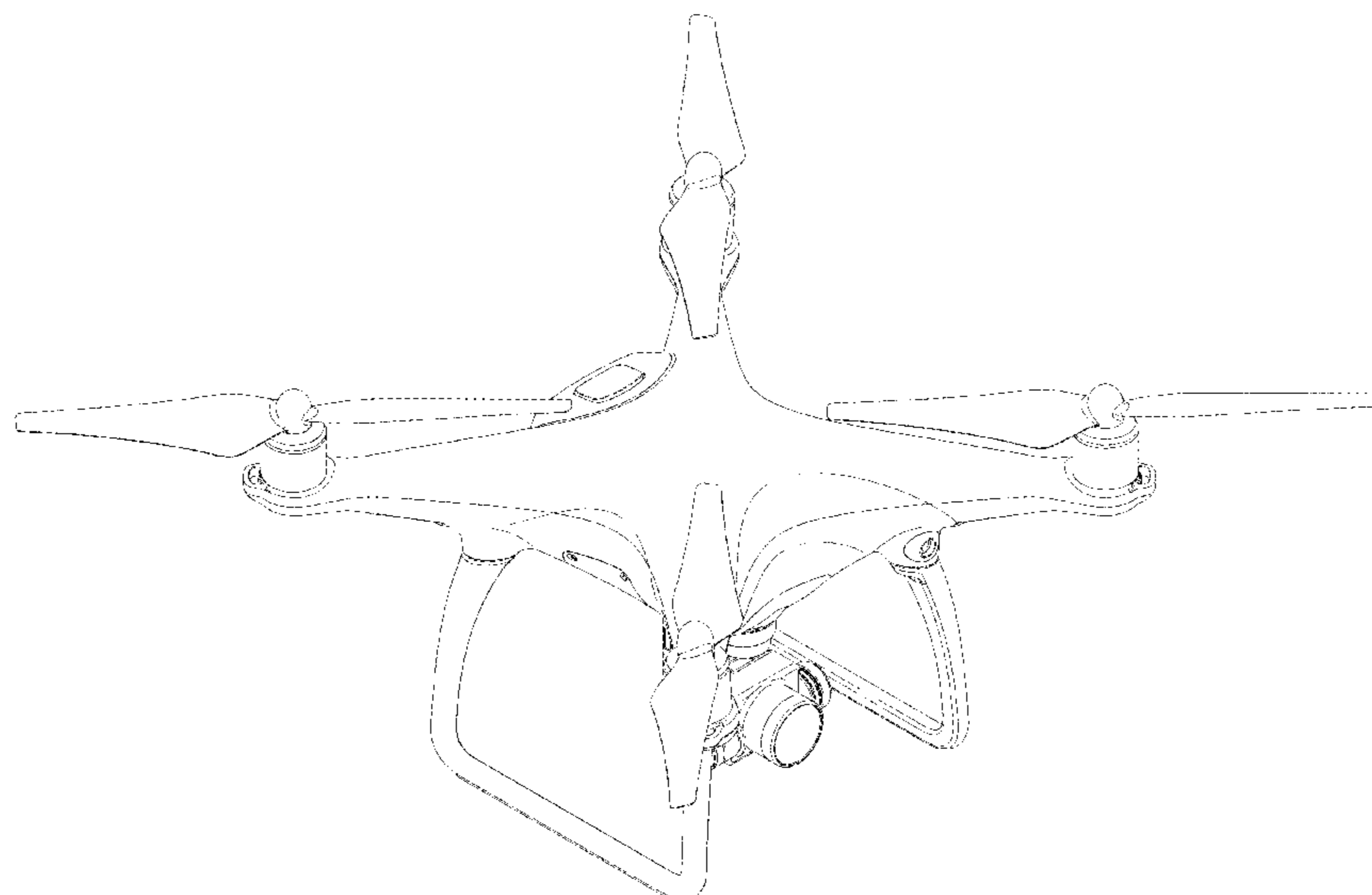
(57) **CLAIM**

The ornamental design for an aerial vehicle, as shown and  
described.

**DESCRIPTION**

FIG. 1 is a top front perspective view of an aerial vehicle  
showing the claimed design;  
FIG. 2 is a top front perspective view thereof;  
FIG. 3 is a front view thereof;  
FIG. 4 is a rear view thereof;  
FIG. 5 is a right side view thereof;  
FIG. 6 is a left side view thereof;  
FIG. 7 is a top view thereof; and,  
FIG. 8 is a bottom view thereof.  
The broken lines in the figures show portions of the aerial  
vehicle that form no part of the claimed design.

**1 Claim, 8 Drawing Sheets**



(56)

References Cited

U.S. PATENT DOCUMENTS

6,626,078 B2 9/2003 Thornton  
 7,210,654 B1 5/2007 Cox et al.  
 D628,658 S 12/2010 Wurm  
 D648,808 S 11/2011 Seydoux et al.  
 D659,771 S 5/2012 Seydoux et al.  
 D691,514 S 10/2013 Wang et al.  
 9,061,763 B1 6/2015 Christensen et al.  
 D745,435 S 12/2015 Park et al.  
 D751,490 S \* 3/2016 Chen ..... D12/16.1  
 D759,764 S 6/2016 Lai  
 D760,848 S 7/2016 McKenna et al.  
 D763,134 S 8/2016 Wang  
 D768,539 S 10/2016 Lee  
 D768,789 S 10/2016 Fargeau et al.  
 9,527,588 B1 \* 12/2016 Rollefstad ..... B64C 39/024  
 D780,062 S \* 2/2017 Wu ..... D12/16.1  
 D782,365 S 3/2017 Hung  
 D782,366 S 3/2017 Xiao  
 D784,854 S 4/2017 Huang et al.  
 9,630,517 B2 4/2017 Lee et al.  
 D796,586 S \* 9/2017 Chen ..... D21/441  
 D800,602 S \* 10/2017 Hsiao ..... D12/16.1  
 D803,723 S 11/2017 Chen et al.  
 D808,860 S \* 1/2018 Tian ..... D12/16.1  
 9,868,363 B2 1/2018 Xiao et al.  
 D809,992 S \* 2/2018 Hu ..... D12/328  
 D816,582 S \* 5/2018 Liang ..... D12/328  
 D817,850 S \* 5/2018 Xiao ..... D12/328  
 9,986,233 B1 \* 5/2018 Curlander ..... B64D 47/08  
 D820,158 S \* 6/2018 Jeong ..... D12/16.1  
 D820,768 S \* 6/2018 Wang ..... D12/328  
 10,007,272 B2 \* 6/2018 Tirpak ..... G05D 1/0676  
 10,030,974 B2 \* 7/2018 Feng ..... G01C 21/16  
 D831,538 S \* 10/2018 Gan ..... D12/16.1  
 10,101,748 B2 \* 10/2018 Wang ..... G05D 1/0669  
 10,155,584 B2 \* 12/2018 Wang ..... B64C 39/024  
 D843,266 S \* 3/2019 Chen ..... D12/16.1  
 10,220,953 B2 \* 3/2019 Ishii ..... B64D 31/10  
 D854,967 S \* 7/2019 Yu ..... D12/16.1  
 10,386,188 B2 \* 8/2019 Tian ..... G01S 17/933  
 D862,359 S \* 10/2019 Chen ..... D12/328  
 D862,360 S \* 10/2019 Liang ..... D12/328  
 D864,082 S \* 10/2019 Zhou ..... D12/328  
 D864,083 S \* 10/2019 Zhou ..... D12/328  
 10,446,042 B2 \* 10/2019 Uesugi ..... B64F 1/222  
 10,453,473 B2 \* 10/2019 Whittaker ..... H04R 3/00  
 D870,638 S \* 12/2019 Kuanliang ..... D12/328  
 2007/0105474 A1 5/2007 Gotou et al.  
 2008/0048065 A1 2/2008 Kuntz  
 2009/0283629 A1 11/2009 Kroetsch et al.  
 2010/0243794 A1 9/2010 Jermyn  
 2012/0138732 A1 6/2012 Olm et al.  
 2014/0131510 A1 5/2014 Wang et al.  
 2015/0321755 A1 11/2015 Martin et al.  
 2016/0063987 A1 3/2016 Xu et al.  
 2016/0122010 A1 5/2016 Tang

2016/0144734 A1 \* 5/2016 Wang ..... B60L 53/66  
 701/17  
 2016/0183514 A1 \* 6/2016 Dederick ..... A01M 29/16  
 119/713  
 2016/0200207 A1 7/2016 Lee et al.  
 2016/0309339 A1 10/2016 Priest et al.  
 2016/0337562 A1 11/2016 Kang et al.  
 2016/0362173 A1 12/2016 Marion  
 2017/0001721 A1 1/2017 Saika et al.  
 2017/0029134 A1 2/2017 Lee et al.  
 2017/0096075 A1 4/2017 Henry et al.  
 2017/0120763 A1 5/2017 Henry et al.  
 2017/0134963 A1 5/2017 Priest  
 2017/0137127 A1 \* 5/2017 Cheng ..... B64D 47/08  
 2017/0144756 A1 \* 5/2017 Rastgaar Aagaah .....  
 G05D 1/0094  
 2017/0166308 A1 6/2017 Desrochers et al.  
 2017/0190260 A1 7/2017 Wang  
 2017/0190422 A1 7/2017 Beaman et al.  
 2017/0197718 A1 7/2017 Buchmueller  
 2017/0215086 A1 7/2017 Priest  
 2017/0221395 A1 8/2017 Benatar et al.  
 2017/0222594 A1 8/2017 Tao  
 2017/0225792 A1 8/2017 Wang et al.  
 2017/0225795 A1 8/2017 Lin et al.  
 2017/0237948 A1 \* 8/2017 Quast ..... B64D 39/024  
 348/144  
 2017/0240277 A1 8/2017 Molnar et al.  
 2017/0247107 A1 \* 8/2017 Hauer ..... B64D 35/06  
 2017/0283050 A1 10/2017 Baek et al.  
 2017/0297445 A1 \* 10/2017 Zheng ..... B60L 53/37  
 2017/0300717 A1 10/2017 Hu et al.  
 2017/0313418 A1 11/2017 Yoon  
 2017/0315562 A1 11/2017 Wang et al.  
 2017/0327223 A1 11/2017 Sekine et al.  
 2017/0334570 A1 11/2017 Xiao et al.  
 2017/0358212 A1 12/2017 Godwin et al.  
 2018/0012336 A1 1/2018 Cao et al.  
 2018/0054572 A1 2/2018 Minato

FOREIGN PATENT DOCUMENTS

CN 303126329 S 3/2015  
 CN 303168325 S 4/2015  
 CN 303206942 S 5/2015  
 CN 303255986 S 6/2015  
 CN 303255987 S 6/2015  
 CN 303307559 S 7/2015  
 CN 303367223 S 9/2015  
 CN 303403035 S 10/2015  
 CN 303452142 S 11/2015  
 CN 303478218 S 12/2015  
 CN 303491333 S 12/2015  
 CN 303530921 S 12/2015  
 CN 303530922 S 12/2015  
 CN 303530929 S 12/2015  
 CN 303562862 S 1/2016  
 CN 303562876 S 1/2016  
 KR 30-0819716 10/2015

\* cited by examiner

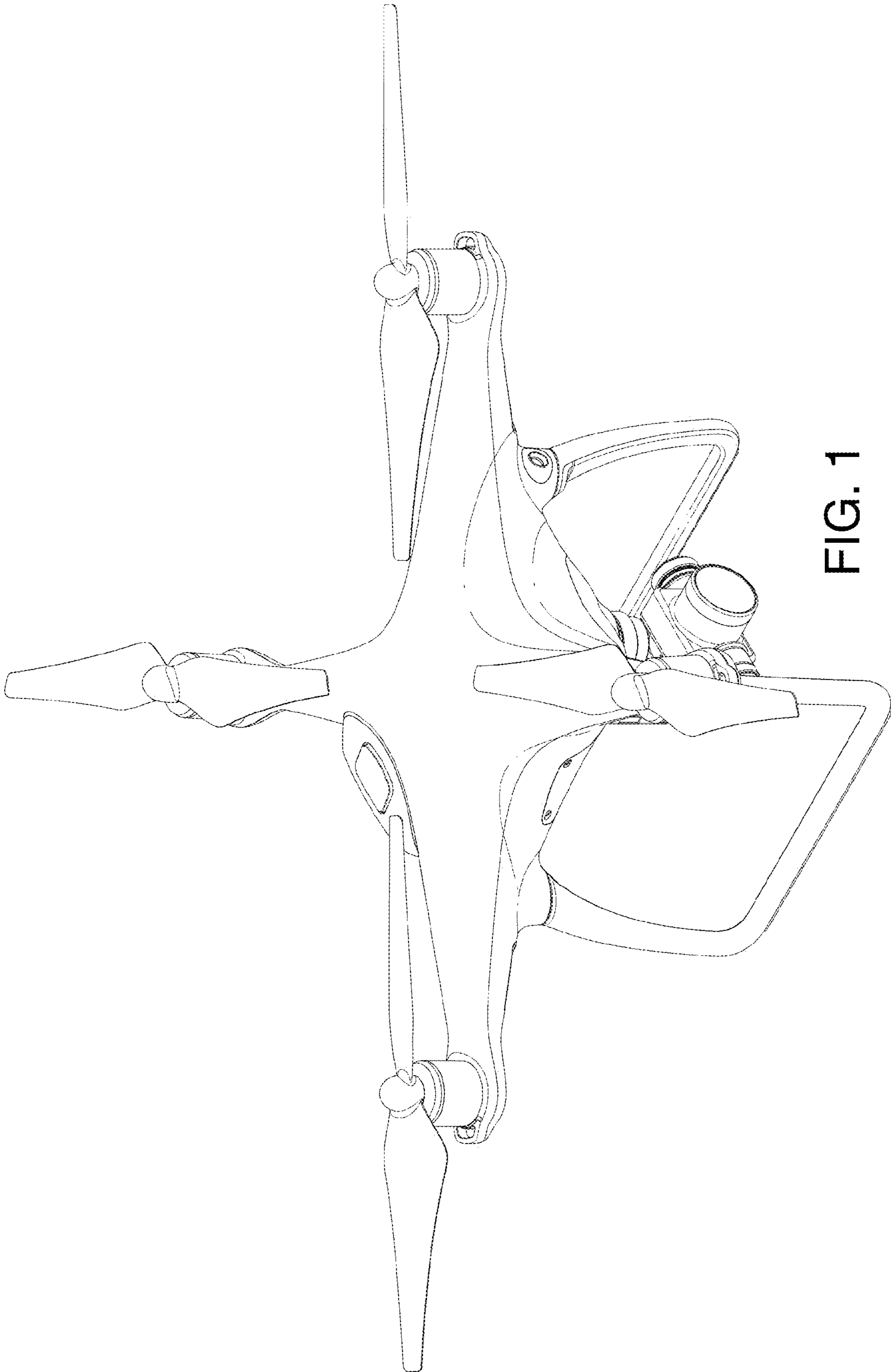


FIG. 1



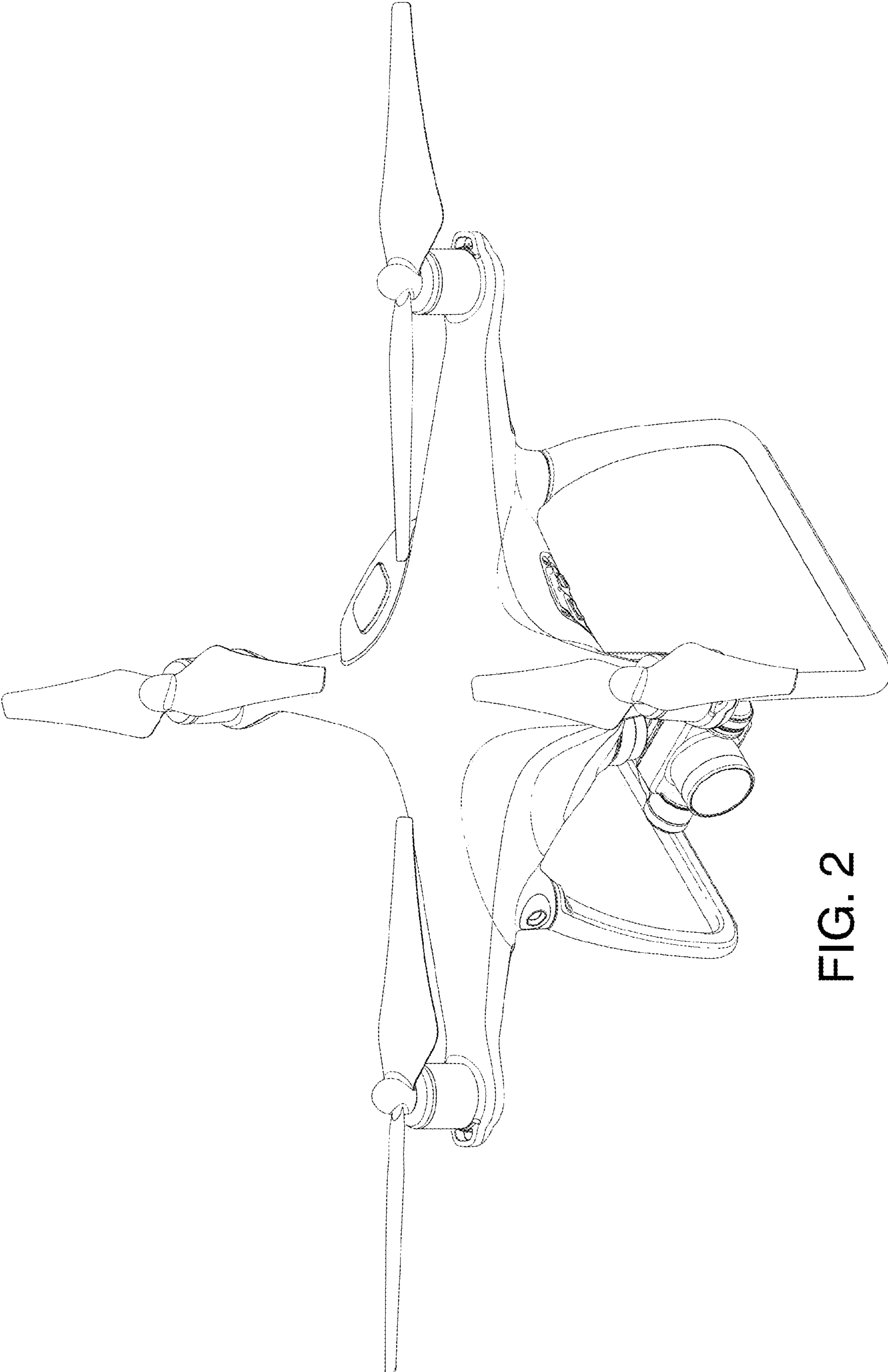


FIG. 2

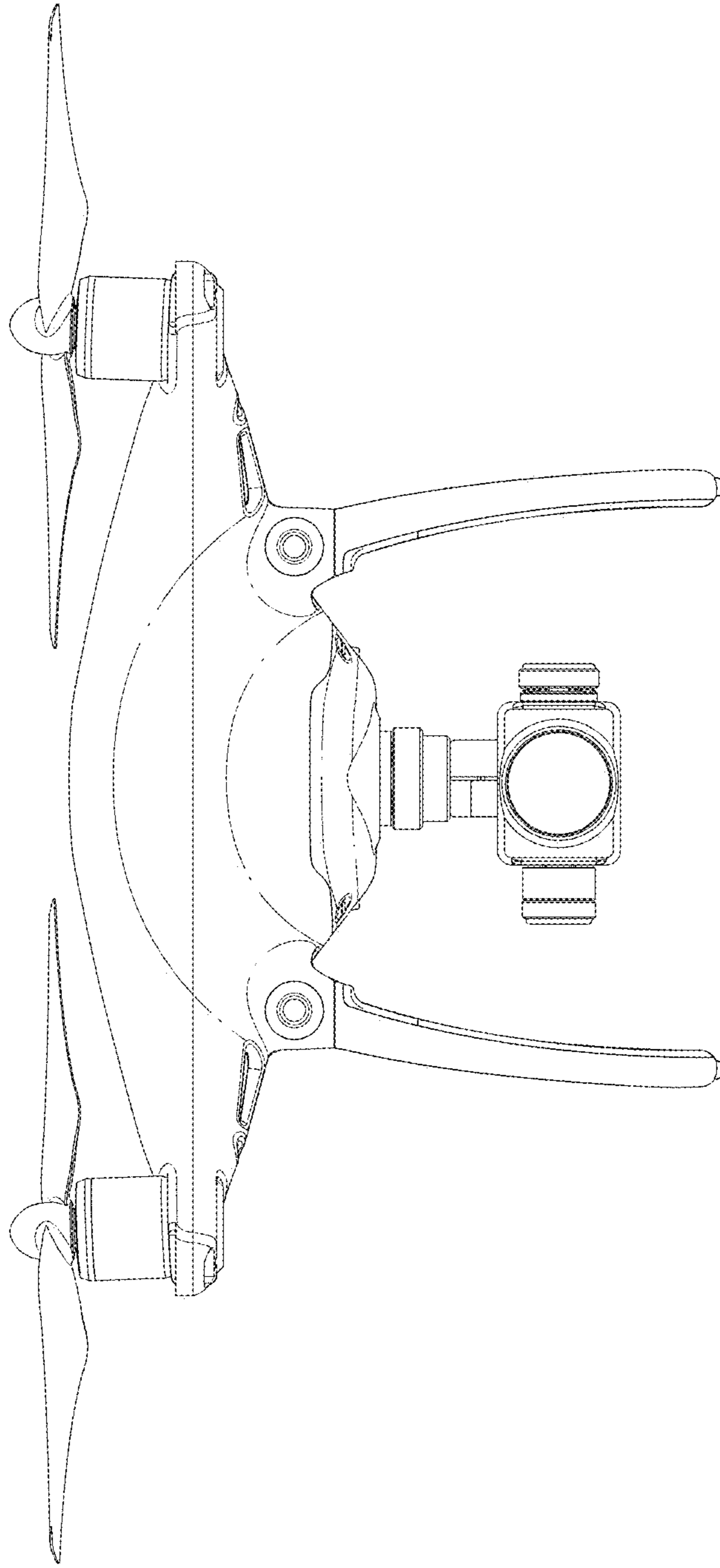


FIG. 3

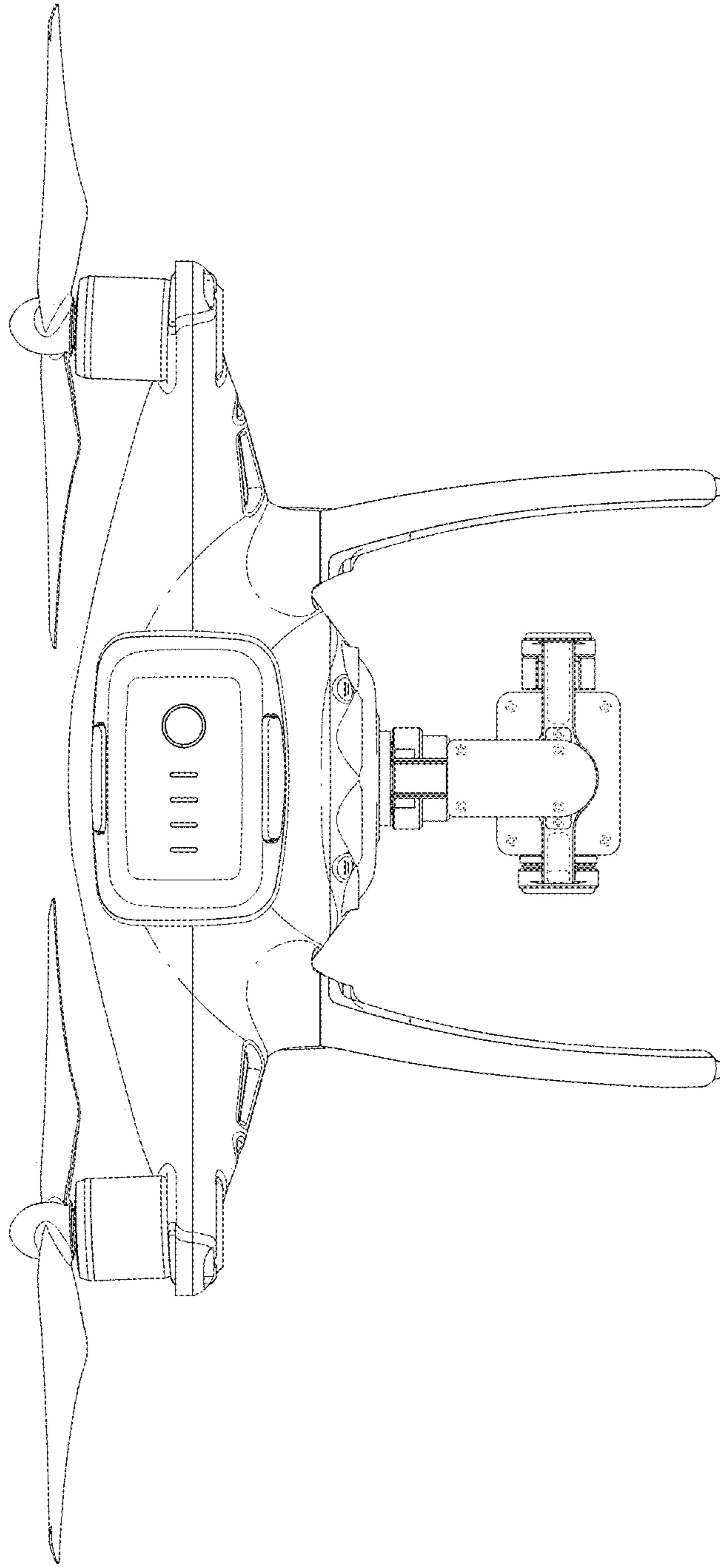


FIG. 4

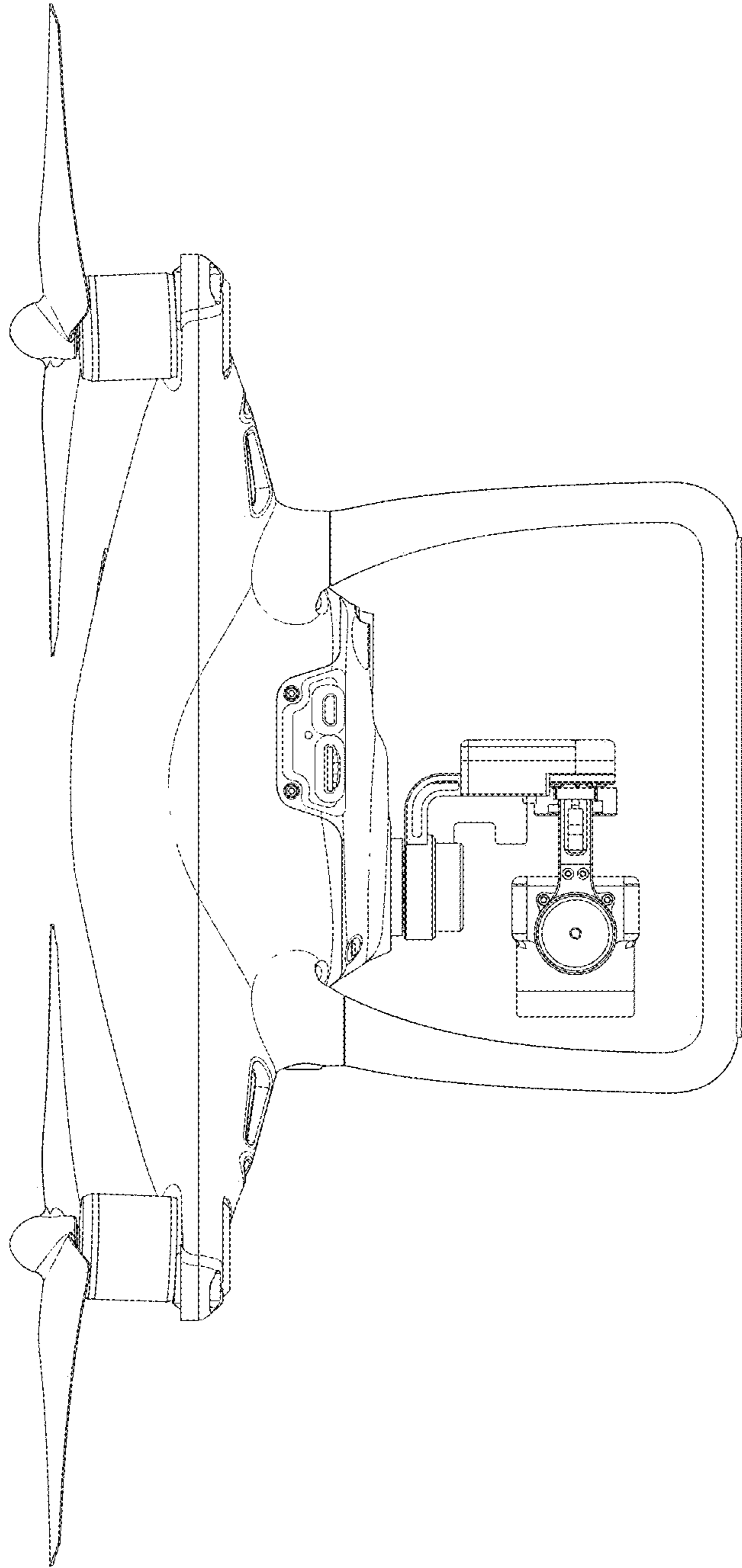


FIG. 5

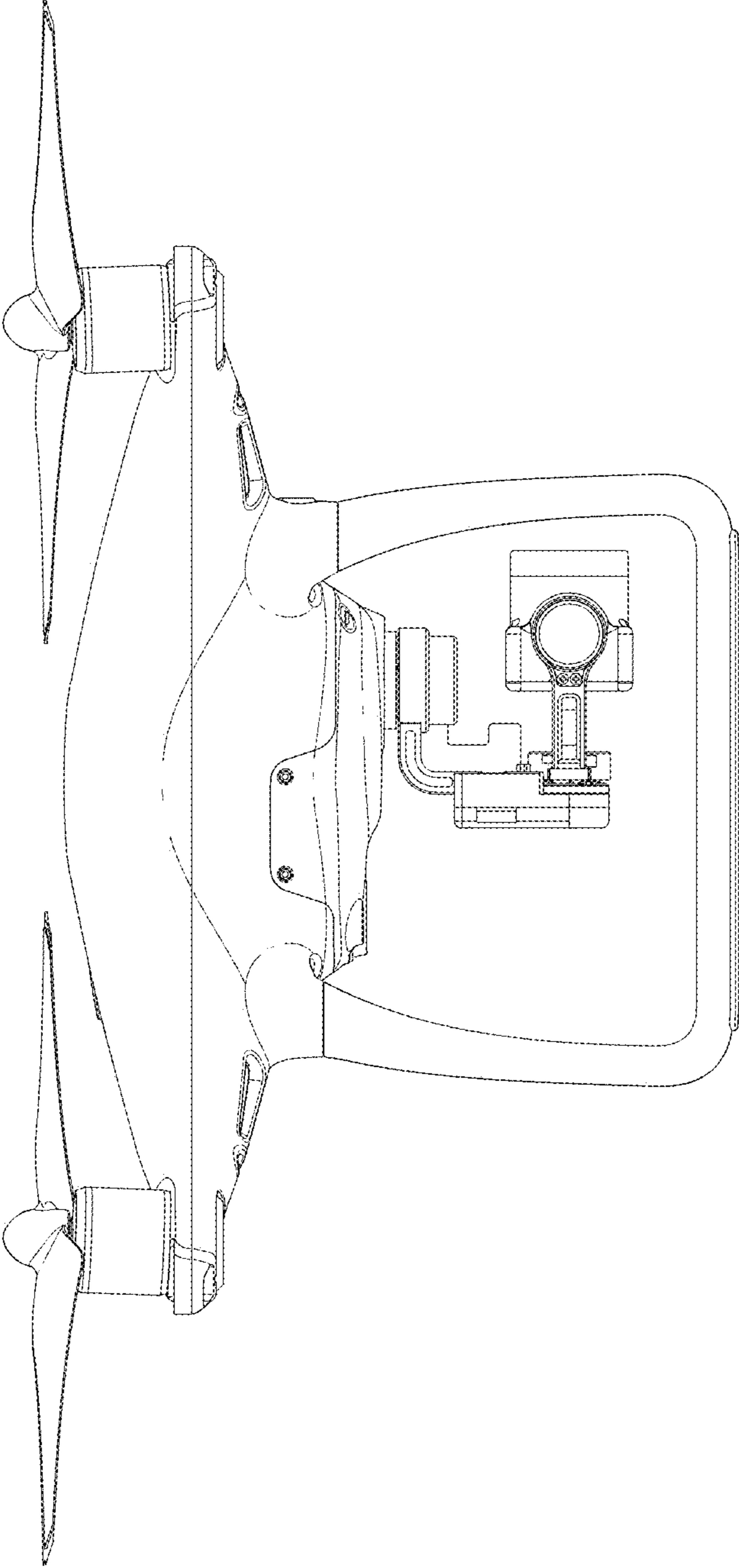


FIG. 6



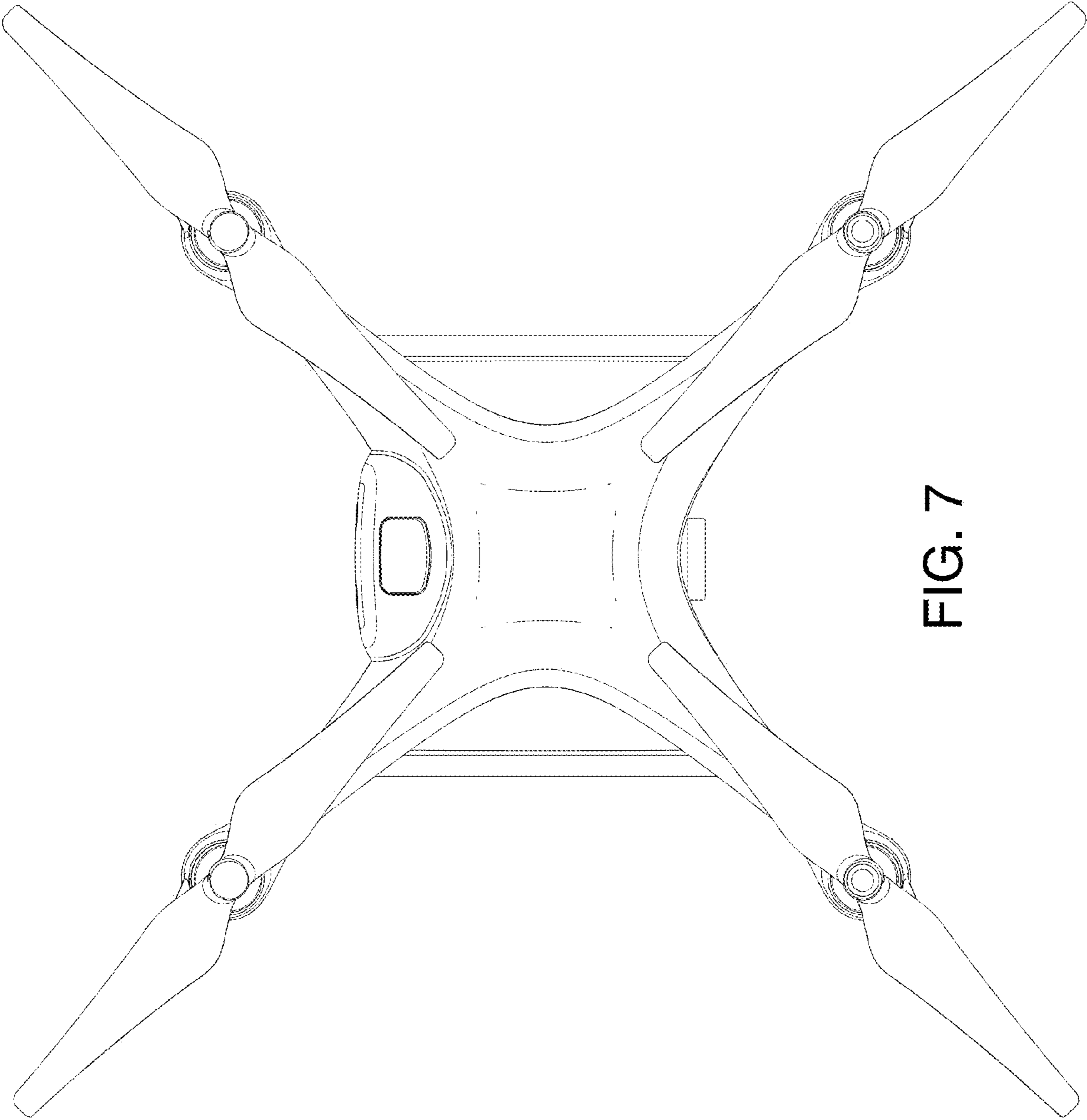


FIG. 7

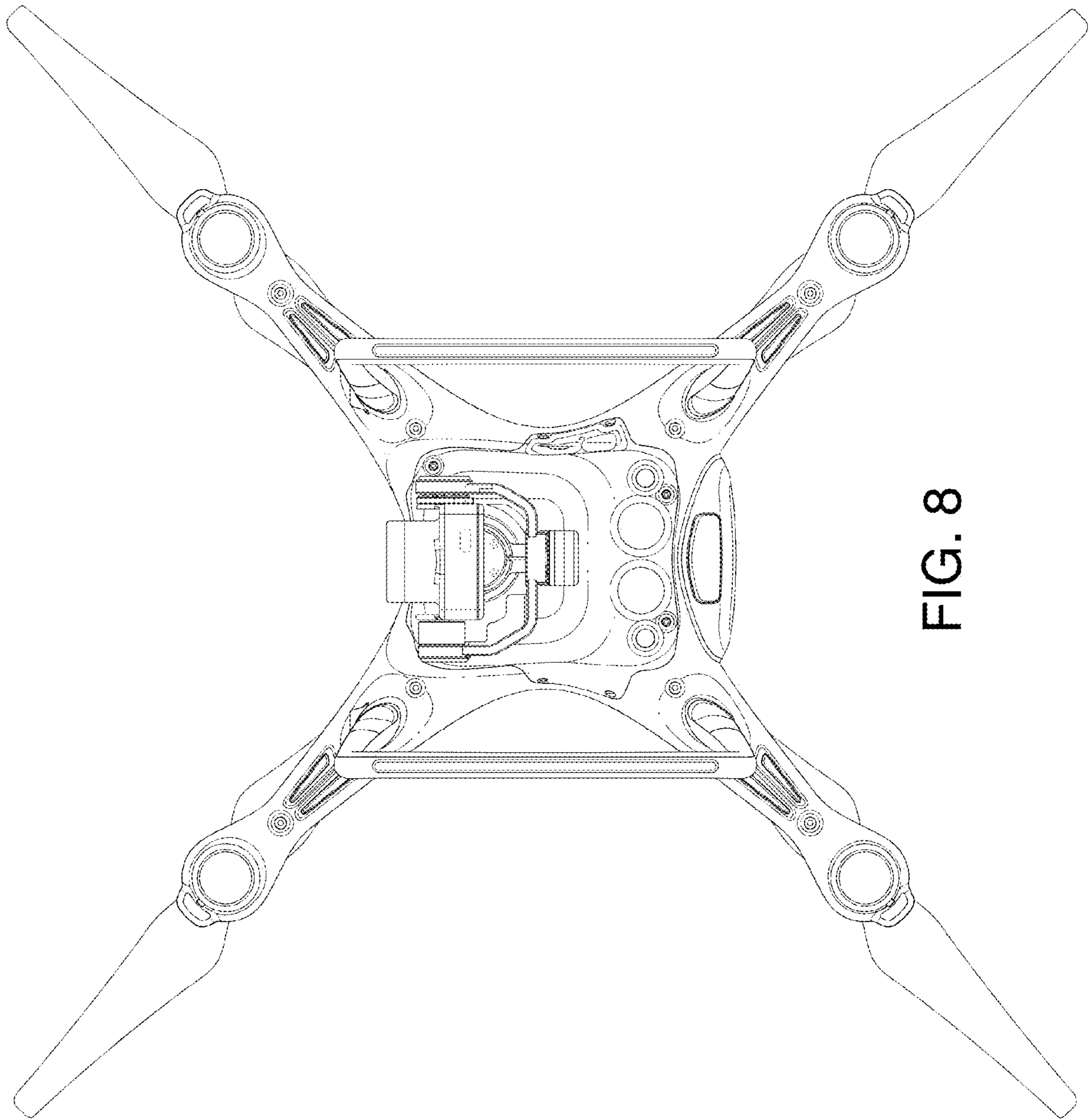


FIG. 8