



US00D908586S

(12) **United States Design Patent**
Setter et al.

(10) **Patent No.:** **US D908,586 S**
(45) **Date of Patent:** **** Jan. 26, 2021**

(54) **WHEEL**

(71) Applicant: **Jaguar Land Rover Limited**, Coventry (GB)

(72) Inventors: **Adam Setter**, Coventry (GB); **Alex Chan**, Coventry (GB)

(73) Assignee: **Jaguar Land Rover Limited**, Coventry (GB)

(**) Term: **15 Years**

(21) Appl. No.: **29/722,664**

(22) Filed: **Jan. 31, 2020**

Related U.S. Application Data

(62) Division of application No. 29/625,218, filed on Nov. 8, 2017, now Pat. No. Des. 876,307, which is a division of application No. 29/532,700, filed on Jul. 9, 2015, now Pat. No. Des. 805,457.

(30) **Foreign Application Priority Data**

Jul. 1, 2015 (EM) 002729749

(51) **LOC (13) Cl.** **12-16**

(52) **U.S. Cl.**
USPC **D12/211**

(58) **Field of Classification Search**
USPC D12/204–213; D21/563
CPC B60B 7/00; B60B 7/02; B60B 7/04; B60B 7/01; B60B 7/06; B60B 3/02; B60B 3/04; B60B 3/06; B60B 3/10; B60B 1/00; B60B 1/08; B60B 1/10; B60B 1/12

See application file for complete search history.

(56) **References Cited**

U.S. PATENT DOCUMENTS

D500,726 S *	1/2005	Hettler	D12/211
D525,932 S *	8/2006	Hettler	D12/211
D548,162 S *	8/2007	Baum	D12/211
D558,117 S *	12/2007	Baum	D12/211
D578,455 S *	10/2008	Pfeiffer	D12/211
D584,210 S *	1/2009	Baum	D12/211
D591,661 S *	5/2009	Baum	D12/209
D593,017 S *	5/2009	Antoniadis	D12/209
D657,298 S *	4/2012	Lee	D12/211
D688,189 S *	8/2013	Alfonso	D12/211
D702,613 S *	4/2014	Scheinutte	D12/211
D721,630 S *	1/2015	McLeod	D12/211
D725,019 S *	3/2015	Kim	D12/211
D748,035 S *	1/2016	Wagener	D12/211
D760,636 S *	7/2016	Kolb	D12/211
D791,048 S *	7/2017	Valencia Pollex	D12/211
D824,318 S *	7/2018	Wheel	D12/211
D844,532 S *	4/2019	Austin	D12/211
D867,962 S *	11/2019	Battams	D12/209
D867,963 S *	11/2019	Battams	D12/209

* cited by examiner

Primary Examiner — Stacia A Cadmus

(74) *Attorney, Agent, or Firm* — Wood Herron & Evans LLP

(57) **CLAIM**

The ornamental design for a wheel, as shown and described.

DESCRIPTION

FIG. 1 is a front left perspective view of a wheel for a vehicle according to the present invention.

FIG. 2 is a front view of the wheel shown in FIG. 1.

FIG. 3 is a left side view thereof, the right side view being a mirror image thereof.

FIG. 4 is a rear view thereof; and,

FIG. 5 is a rear right perspective view thereof.

1 Claim, 3 Drawing Sheets

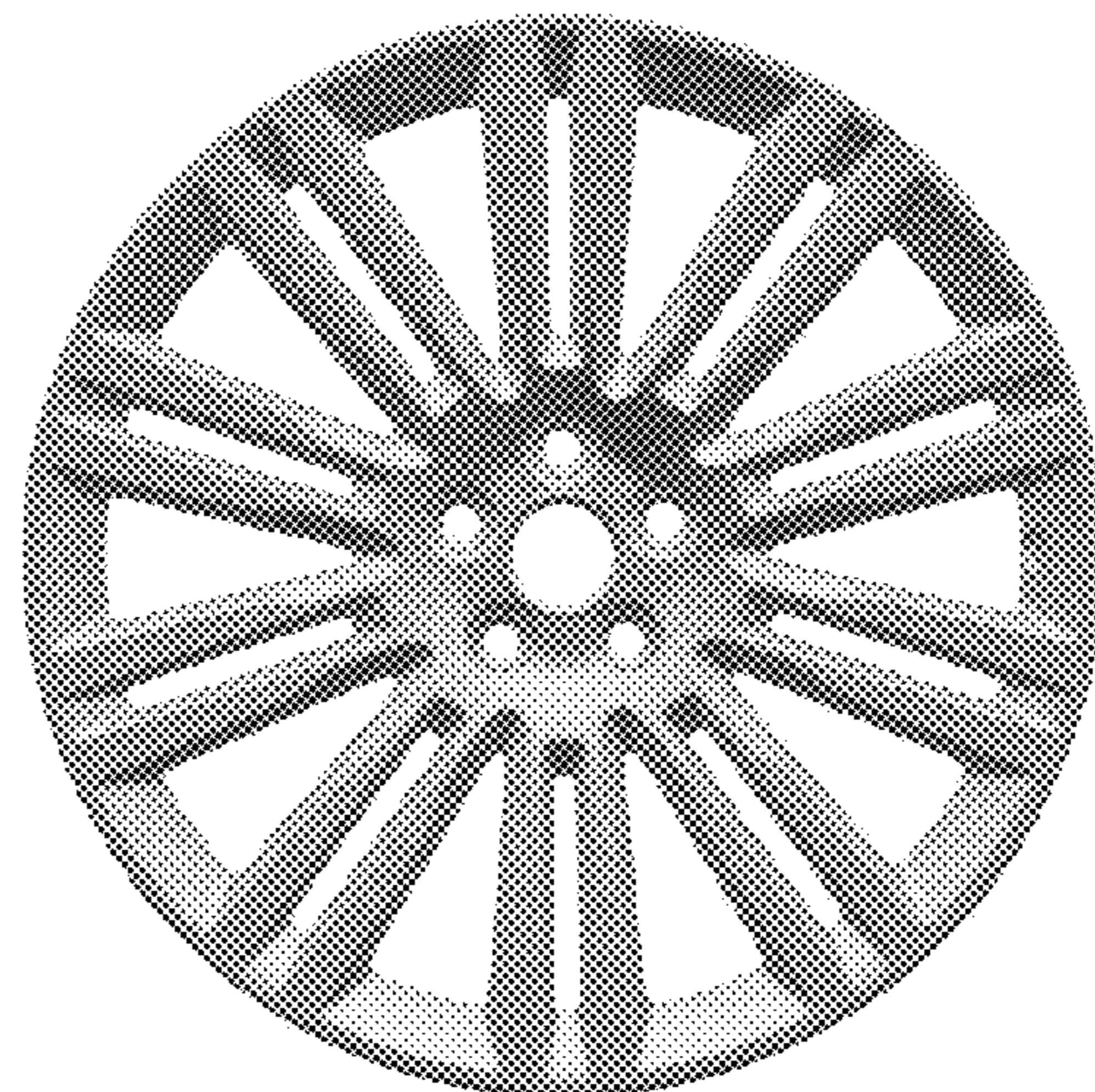




FIG. 1

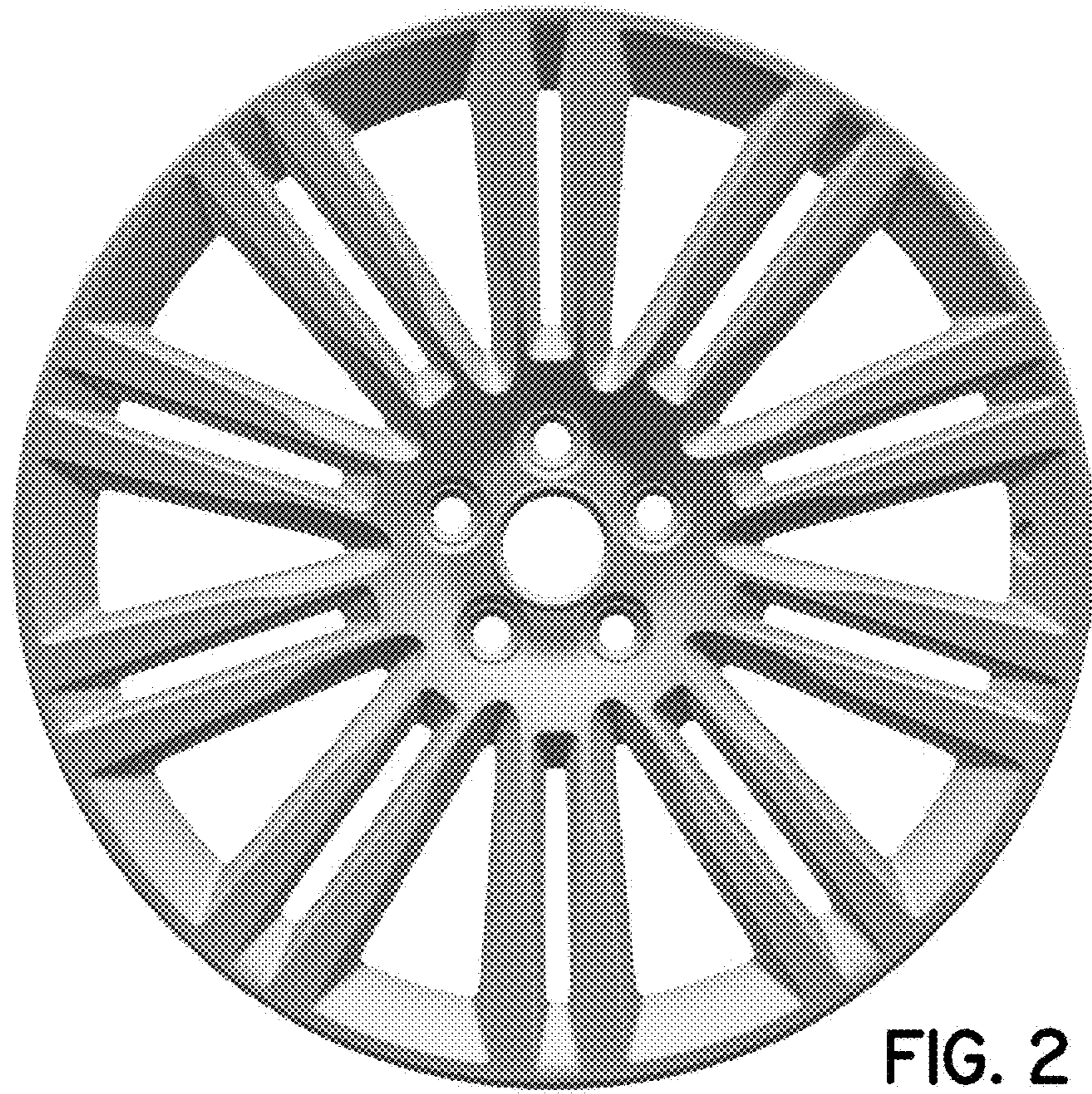


FIG. 2

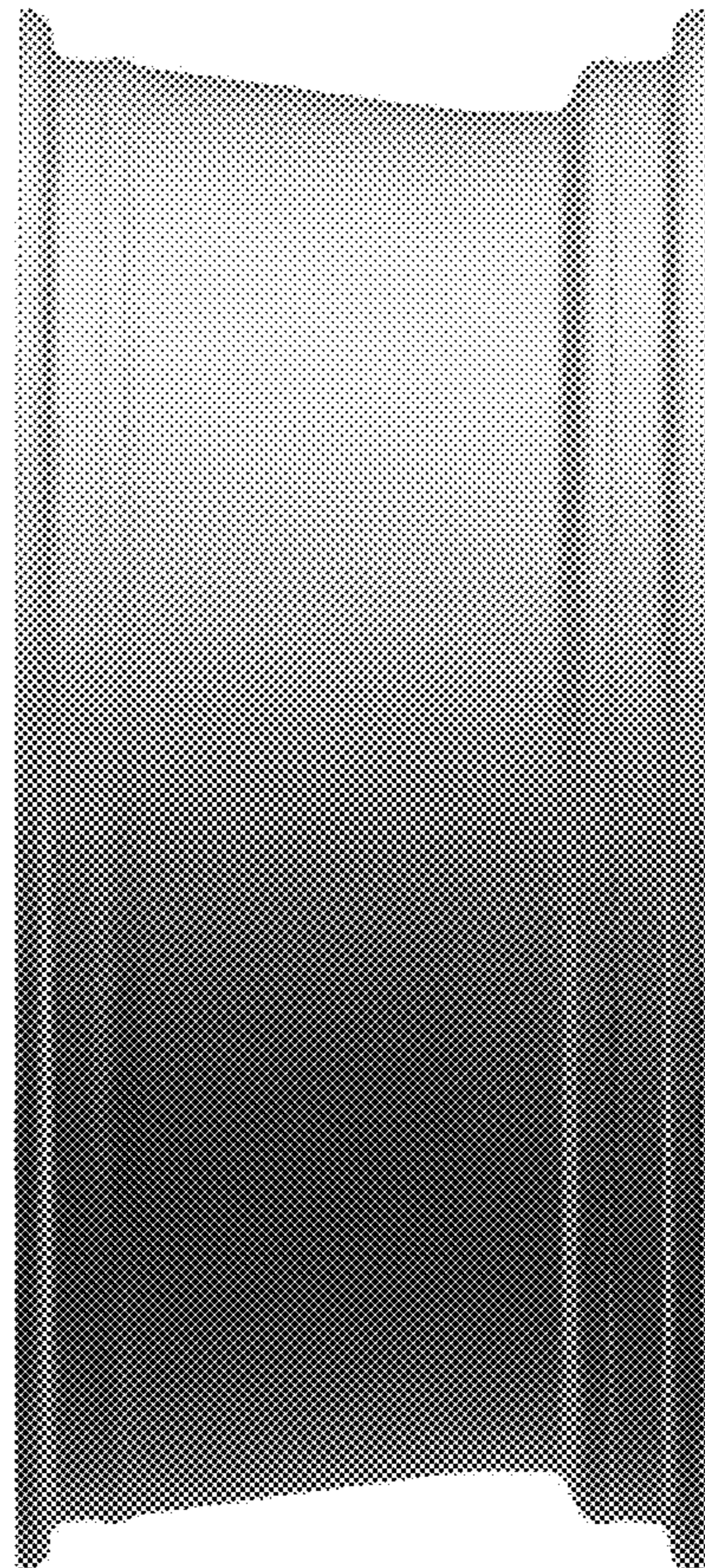


FIG. 3

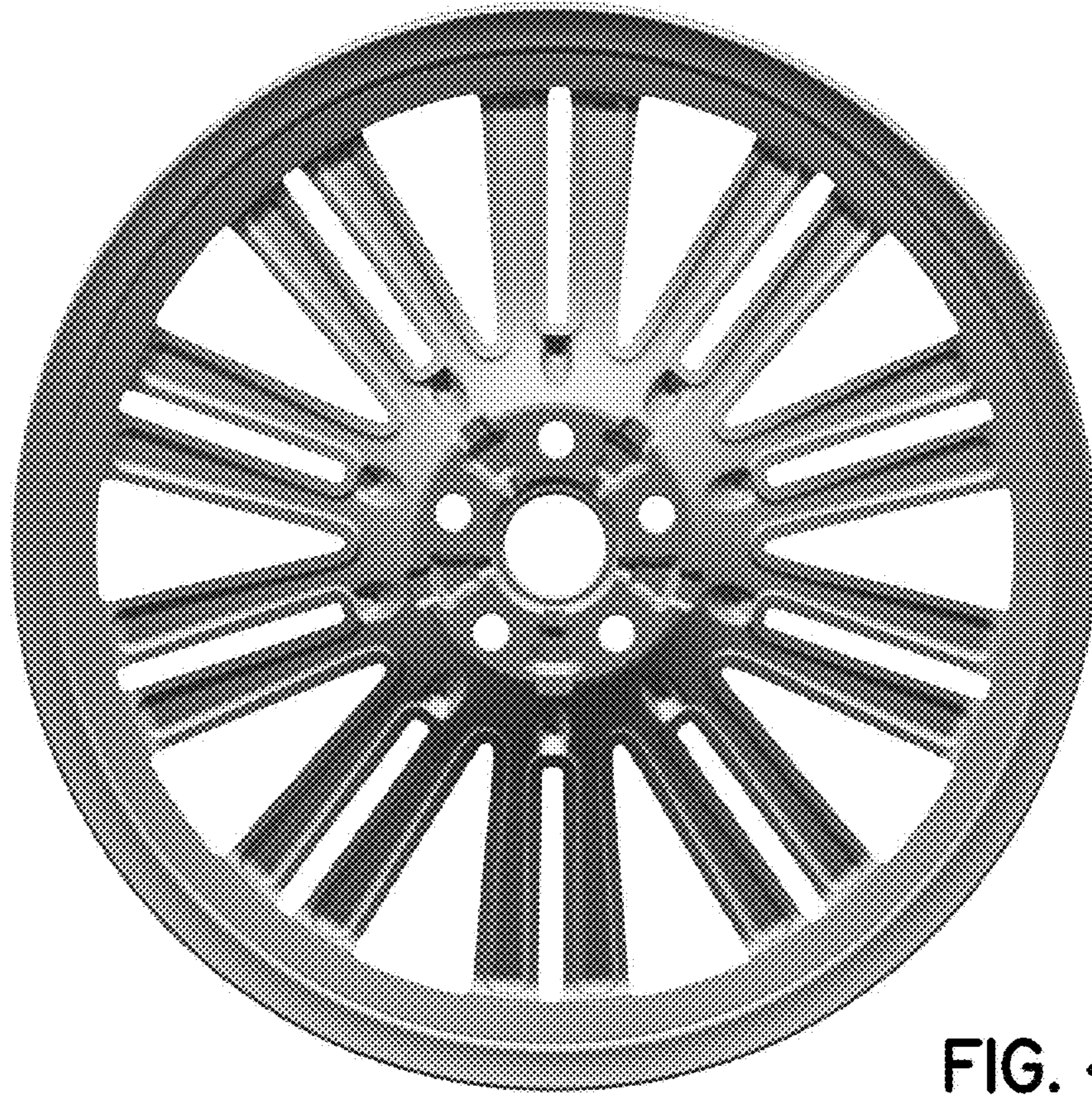


FIG. 4



FIG. 5