



US00D908585S

(12) **United States Design Patent**
Mukti

(10) **Patent No.:** **US D908,585 S**

(45) **Date of Patent:** **** Jan. 26, 2021**

(54) **VEHICLE WHEEL**

(71) Applicant: **Quarsa, LLC**, Chino, CA (US)

(72) Inventor: **Ali Mukti**, Surabaya (ID)

(73) Assignee: **QUARSA, LLC**, Chino, CA (US)

(**) Term: **15 Years**

(21) Appl. No.: **29/711,230**

(22) Filed: **Oct. 29, 2019**

(51) **LOC (13) Cl.** **12-16**

(52) **U.S. Cl.**
USPC **D12/211**

(58) **Field of Classification Search**

USPC D12/204–213; D21/563
CPC B60B 7/00; B60B 7/02; B60B 7/04; B60B
7/01; B60B 7/06; B60B 3/02; B60B 3/04;
B60B 3/06; B60B 3/10; B60B 1/00;
B60B 1/08; B60B 1/10; B60B 1/12

See application file for complete search history.

(56) **References Cited**

U.S. PATENT DOCUMENTS

D249,787 S	*	10/1978	Tanaka	D12/205
D515,003 S	*	2/2006	Echazabal	D12/211
D604,221 S	*	11/2009	Krisch	D12/211
D620,424 S	*	7/2010	Gallert	D12/211
D622,200 S	*	8/2010	Zhao	D12/211
D630,567 S	*	1/2011	Ettensberger	D12/211

D656,879 S	*	4/2012	Gallert	D12/211
D659,071 S	*	5/2012	Hale, Jr.	D12/211
D670,633 S	*	11/2012	Kato	D12/211
D703,603 S	*	4/2014	Tirado	D12/211
D731,944 S	*	6/2015	Kern	D12/211
D740,735 S	*	10/2015	Matsumura	D12/211
D758,277 S	*	6/2016	Alfonso	D12/211
D778,222 S	*	2/2017	Chung	D12/211
D780,664 S	*	3/2017	Gallert	D12/211
D797,028 S	*	9/2017	Chung	D12/211
D828,800 S	*	9/2018	Valencia Pollex	D12/209
D840,898 S	*	2/2019	Wittinger	D12/209
D845,862 S	*	4/2019	Kong	D12/209
D850,346 S	*	6/2019	Hans	D12/209
D876,313 S	*	2/2020	Schmolz	D12/211
D881,104 S	*	4/2020	Manzoni	D12/209
D885,293 S	*	5/2020	Gallert	D12/211

* cited by examiner

Primary Examiner — Stacia A Cadmus

(74) *Attorney, Agent, or Firm* — Snell & Wilmer LLP

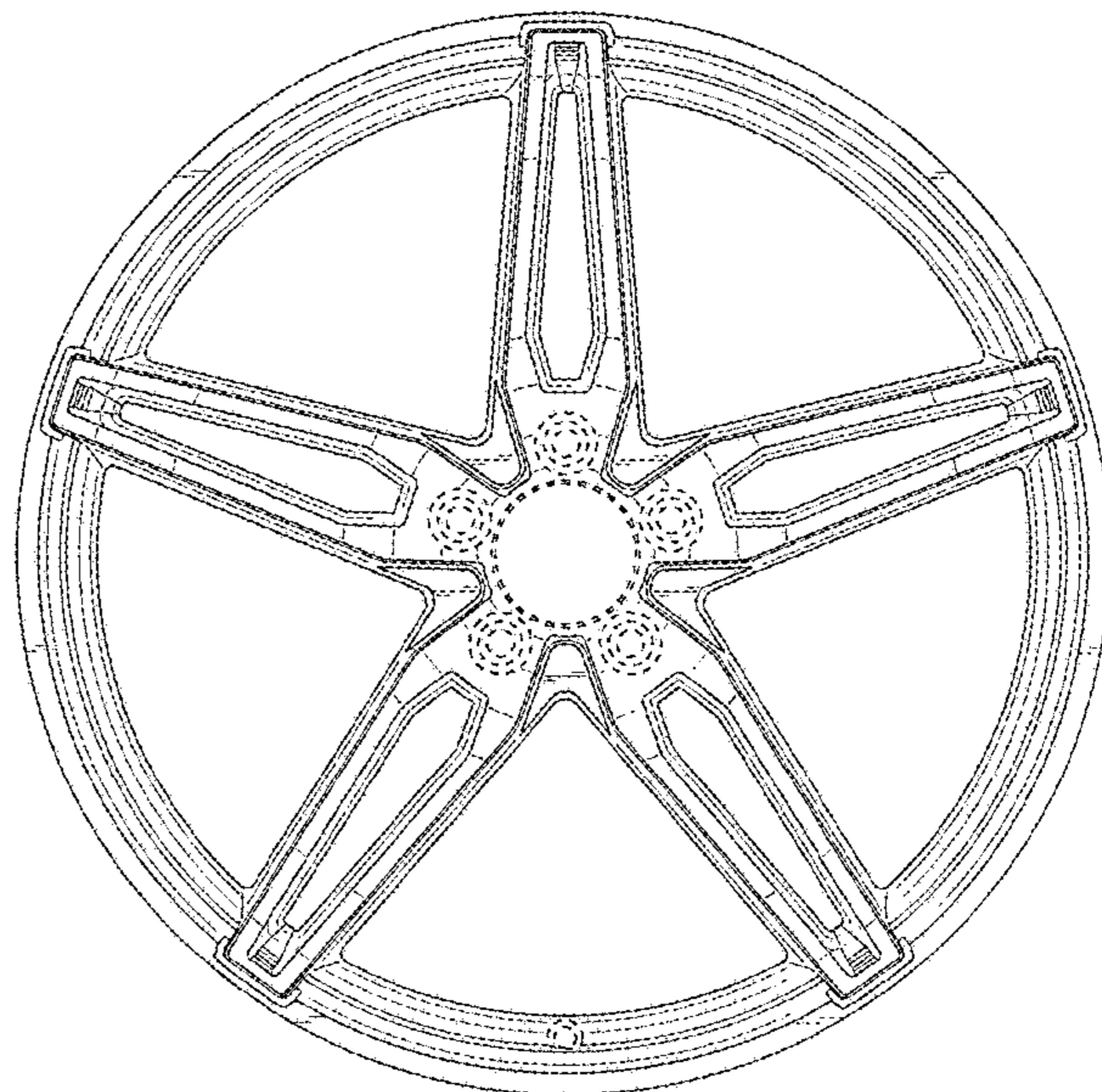
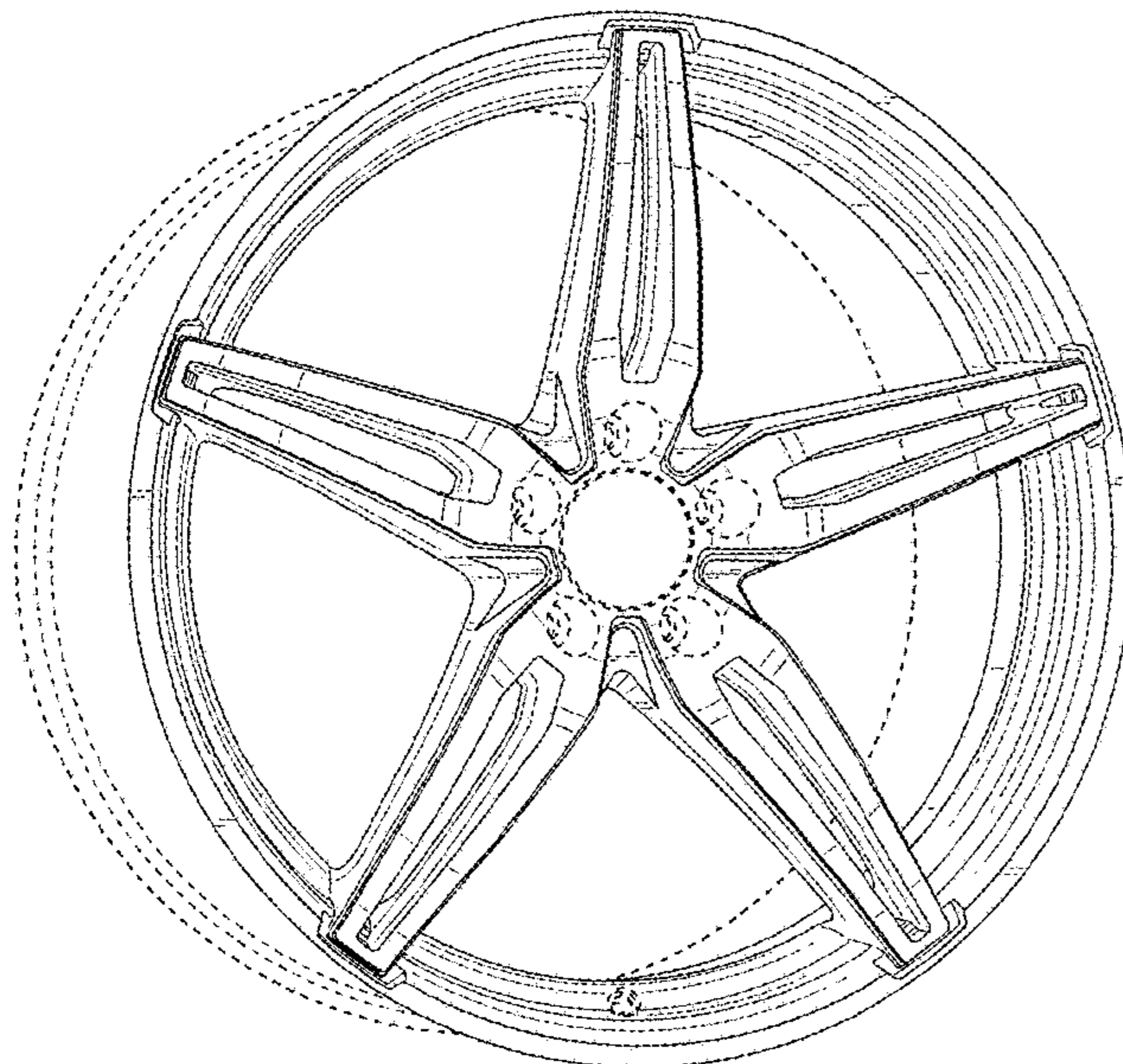
(57) **CLAIM**

I claim the ornamental design for a vehicle wheel, as shown and described.

DESCRIPTION

FIG. 1 is a front perspective view of the vehicle wheel showing my new design; and, FIG. 2 is a front view of the vehicle wheel of FIG. 1. In the drawings, the portions of the wheel shown in broken lines form no part of the claimed design.

1 Claim, 2 Drawing Sheets



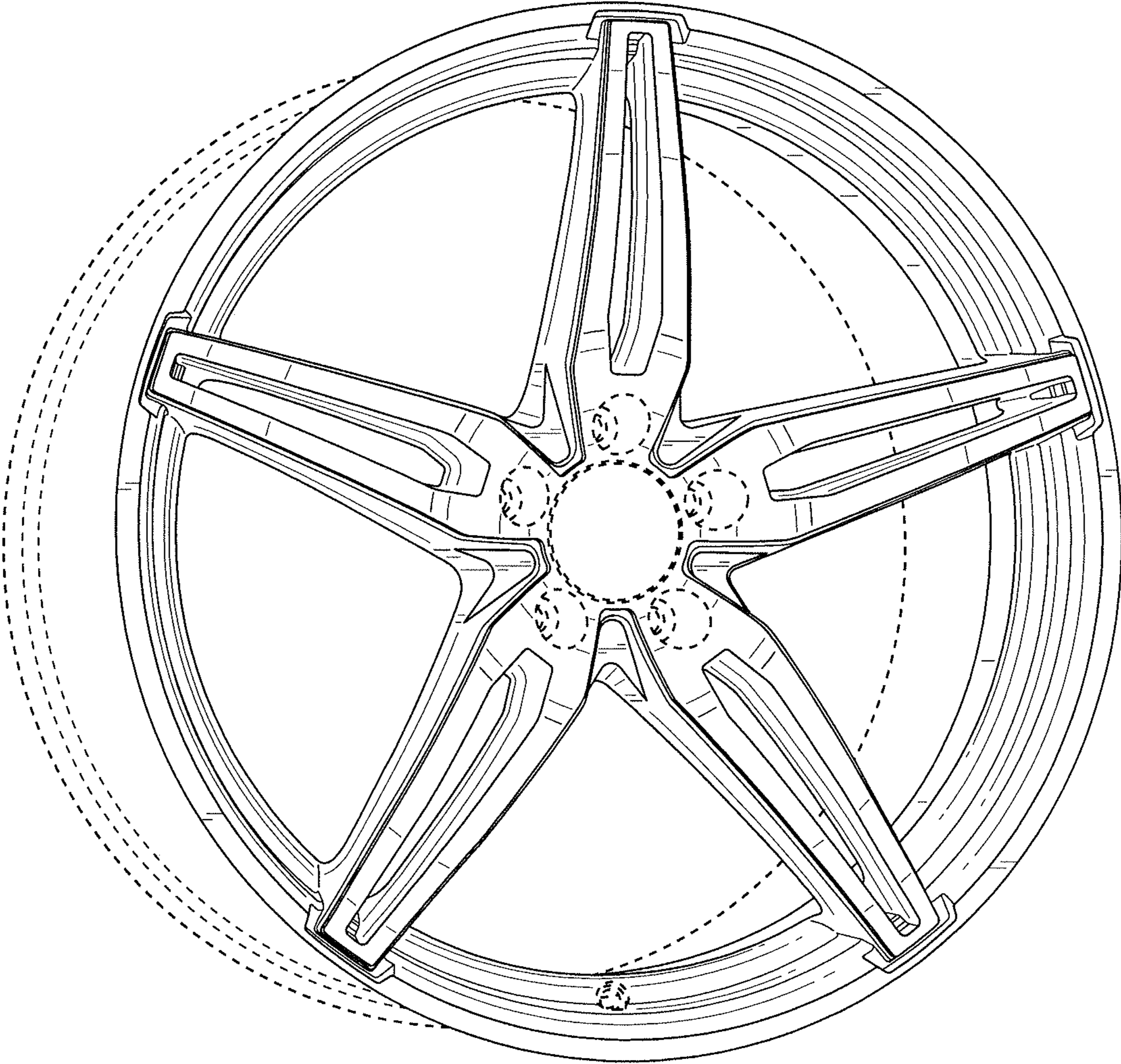


FIG. 1

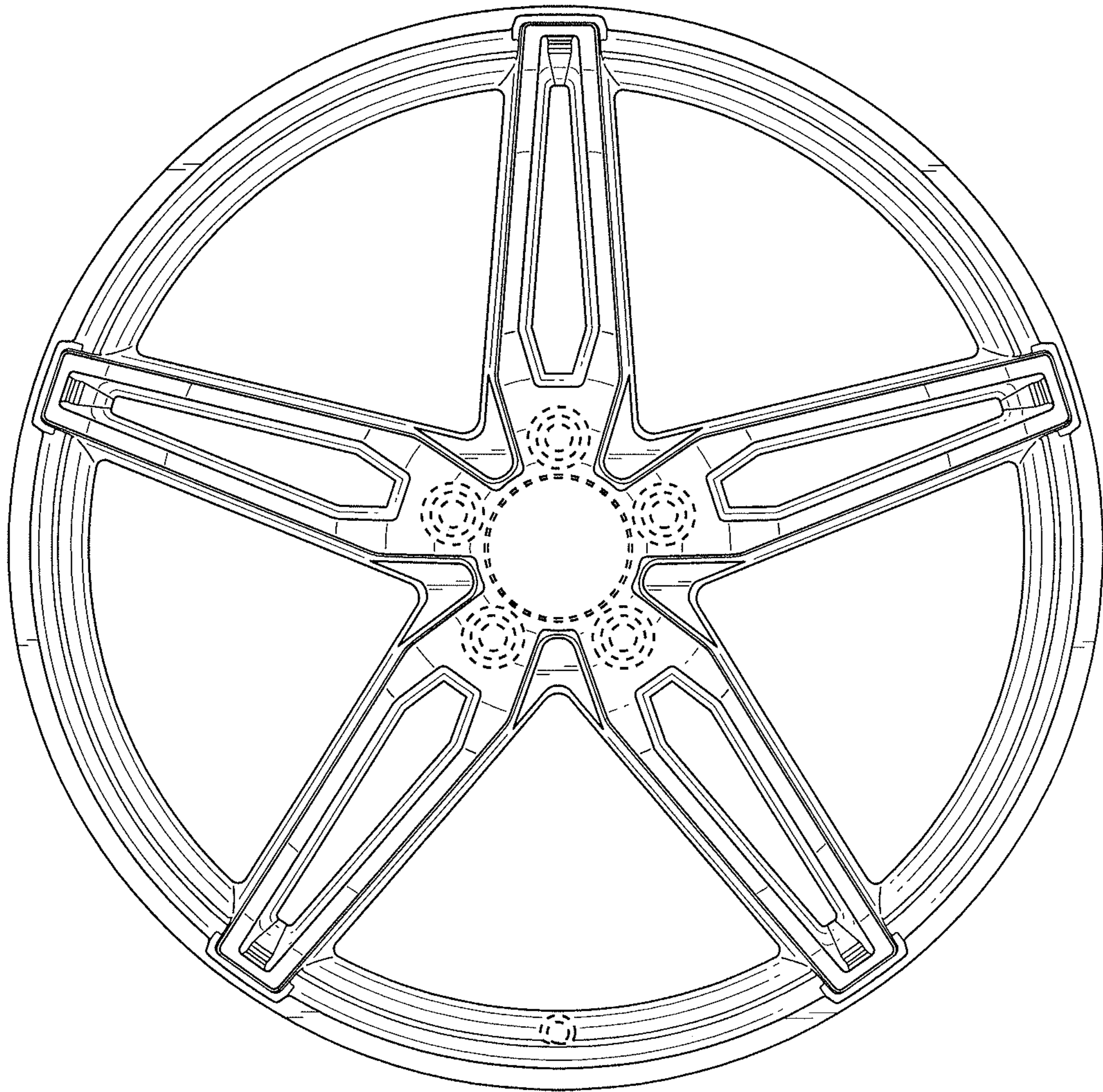


FIG. 2