



US00D908584S

(12) **United States Design Patent**
Mukti

(10) **Patent No.:** **US D908,584 S**

(45) **Date of Patent:** **** Jan. 26, 2021**

(54) **VEHICLE WHEEL**

(71) Applicant: **Quarsa, LLC**, Chino, CA (US)

(72) Inventor: **Ali Mukti**, Surabaya (ID)

(73) Assignee: **QUARSA, LLC**, Chino, CA (US)

(**) Term: **15 Years**

(21) Appl. No.: **29/711,226**

(22) Filed: **Oct. 29, 2019**

(51) **LOC (13) Cl.** **12-16**

(52) **U.S. Cl.**
USPC **D12/211**

(58) **Field of Classification Search**
USPC D12/204–213; D21/563
CPC B60B 7/00; B60B 7/02; B60B 7/04; B60B
7/01; B60B 7/06; B60B 3/02; B60B 3/04;
B60B 3/06; B60B 3/10; B60B 1/00;
B60B 1/08; B60B 1/10; B60B 1/12
See application file for complete search history.

D722,000 S *	2/2015	Kern	D12/209
D722,002 S *	2/2015	Stolz	D12/211
D731,945 S *	6/2015	Kern	D12/211
D732,452 S *	6/2015	Chung	D12/211
D745,841 S *	12/2015	Ferrett	D12/209
D758,946 S *	6/2016	Zhao	D12/211
D778,800 S *	2/2017	Chung	D12/211
D788,009 S *	5/2017	Zhao	D12/211
D811,305 S *	2/2018	Hodges	D12/211
D829,153 S *	9/2018	Han	D12/209
D832,178 S *	10/2018	Hodges	D12/211
D842,193 S *	3/2019	Han	D12/209
D845,205 S *	4/2019	Chu	D12/211
D860,091 S *	9/2019	Milani	D12/209
D867,954 S *	11/2019	Yeh	D12/209
D897,256 S *	9/2020	Han	D12/209

* cited by examiner

Primary Examiner — Stacia A Cadmus

(74) *Attorney, Agent, or Firm* — Snell & Wilmer LLP

(57) **CLAIM**

I claim the ornamental design for a vehicle wheel, as shown and described.

DESCRIPTION

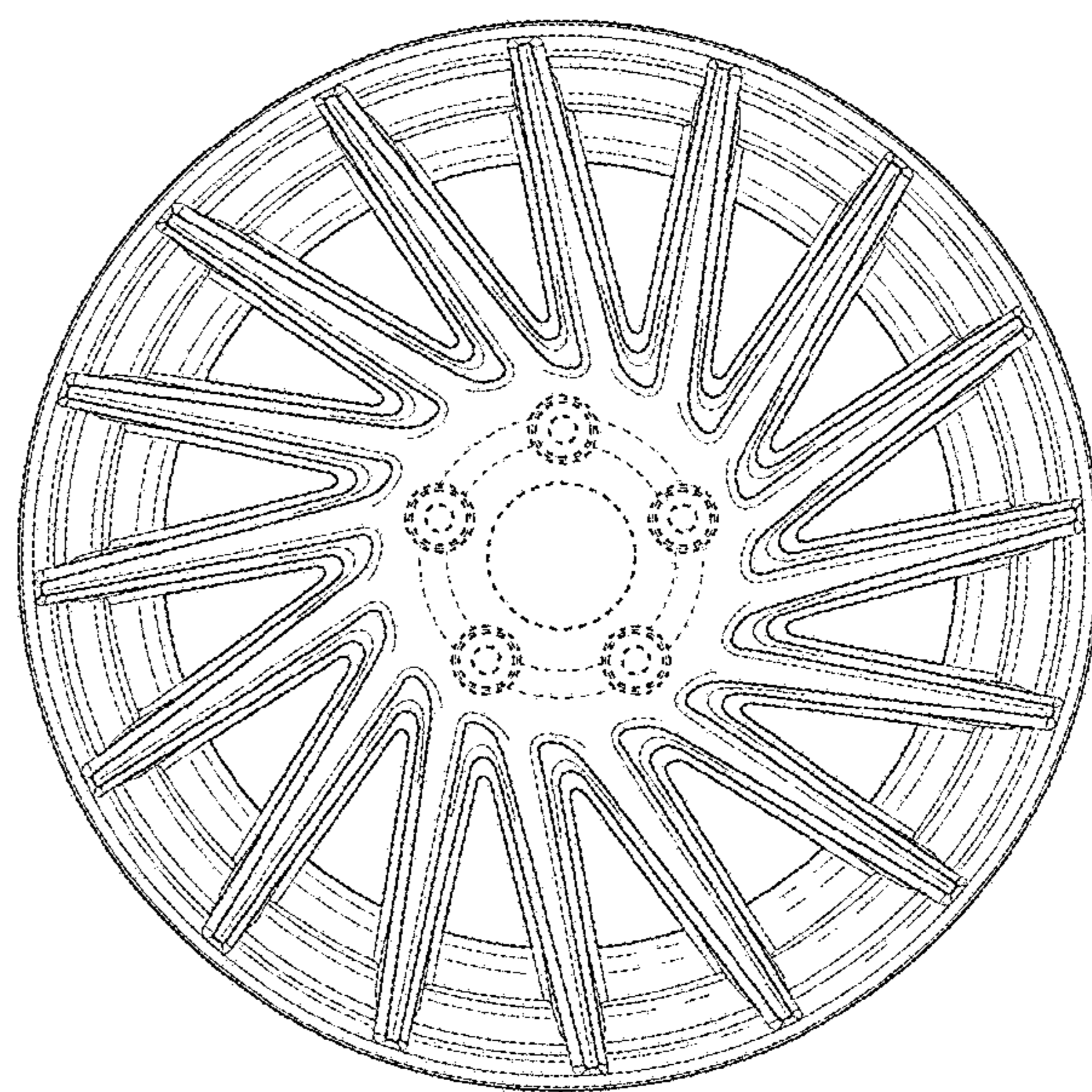
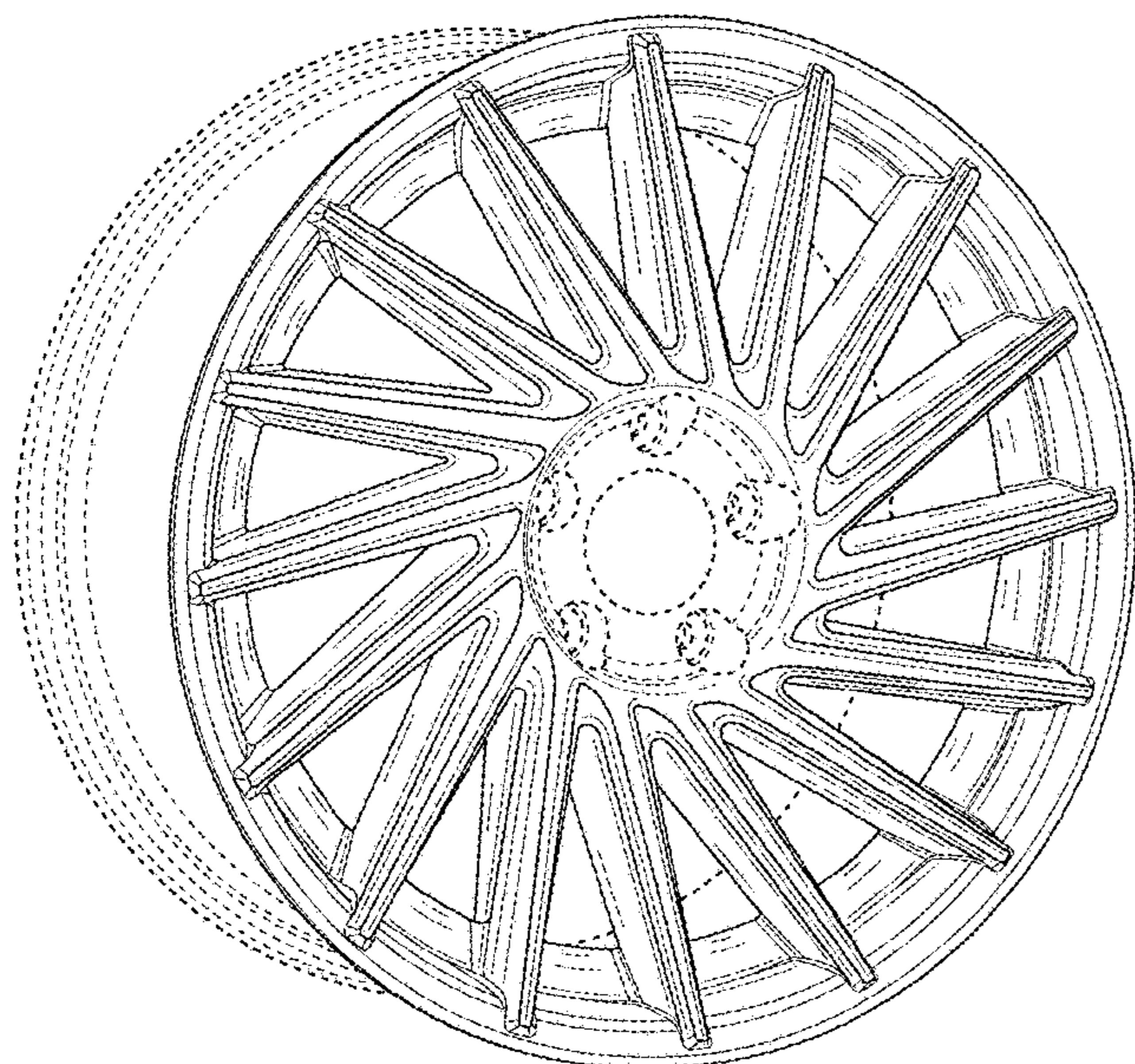
FIG. 1 is a front perspective view of the vehicle wheel showing my new design; and, FIG. 2 is a front view of the vehicle wheel of FIG. 1. In the drawings, the portions of the wheel shown in broken lines form no part of the claimed design.

1 Claim, 2 Drawing Sheets

(56) **References Cited**

U.S. PATENT DOCUMENTS

D416,850 S *	11/1999	Cohen et al.	D12/211
D681,538 S *	5/2013	Zhao	D12/211
D694,695 S *	12/2013	Kern	D12/211
D701,813 S *	4/2014	Kern	D12/211
D708,562 S *	7/2014	Kern	D12/211
D717,711 S *	11/2014	Kern	D12/211



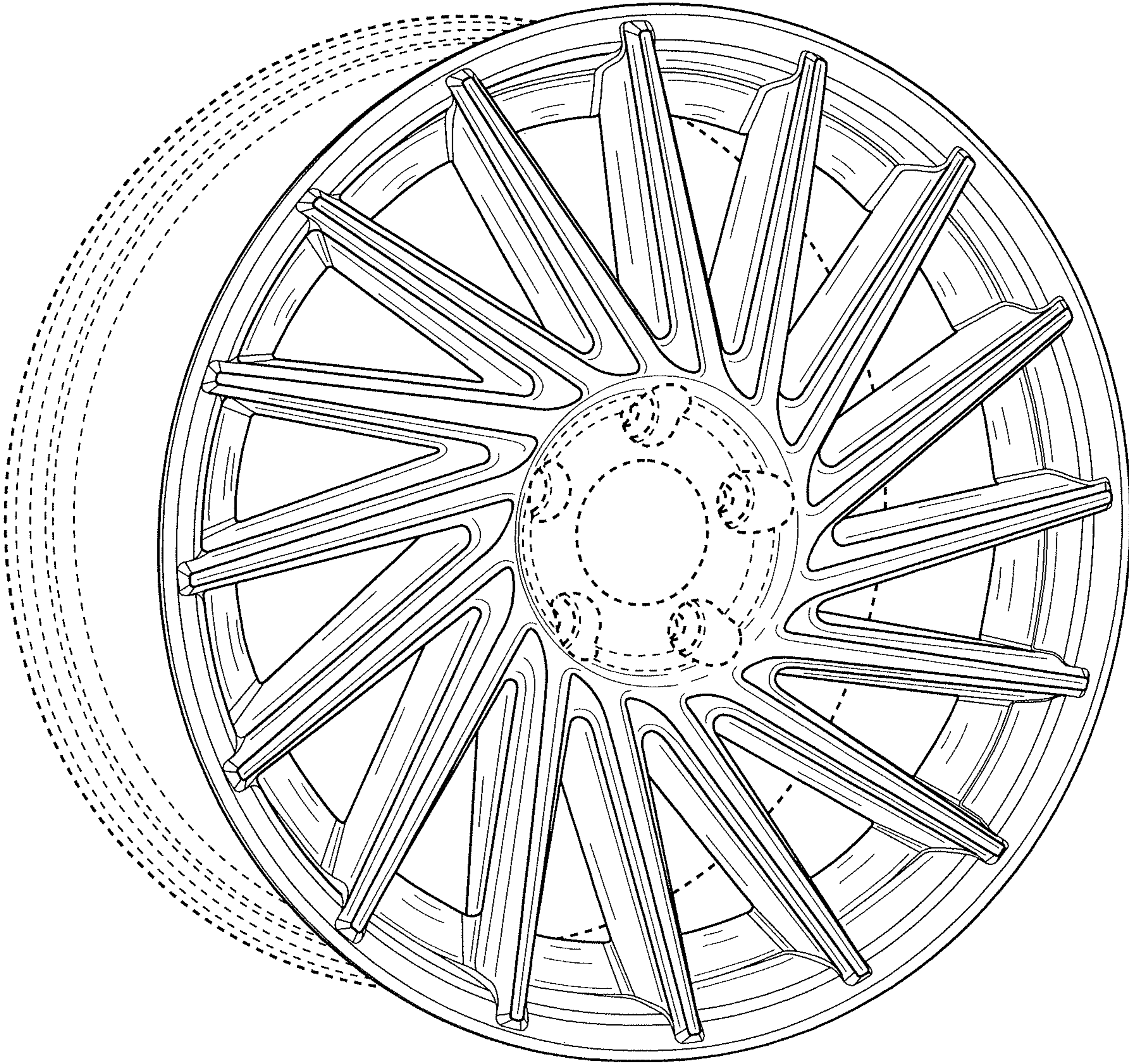


FIG. 1

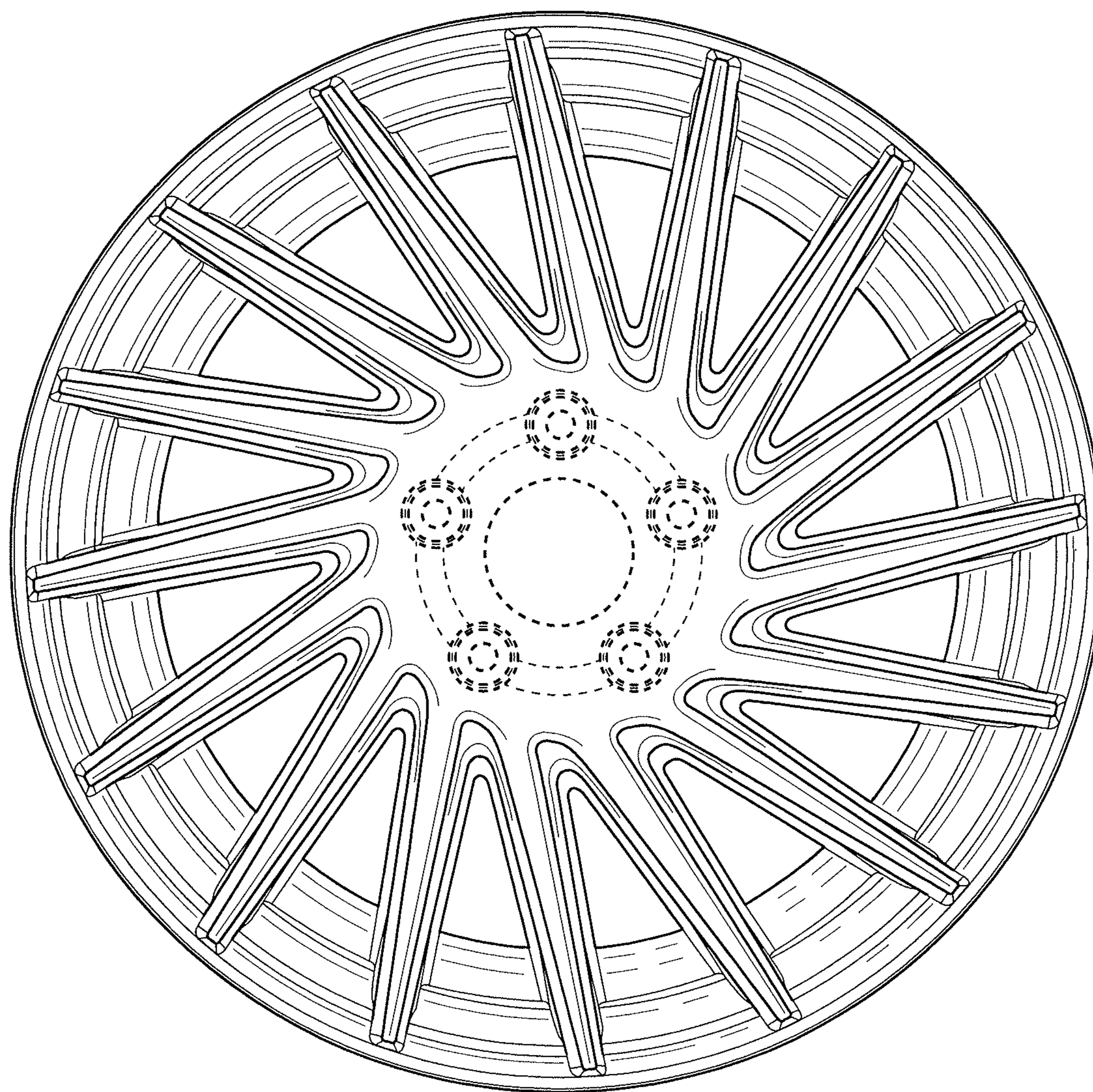


FIG. 2