



US00D908583S

(12) **United States Design Patent**
Mukti

(10) **Patent No.:** **US D908,583 S**

(45) **Date of Patent:** **** Jan. 26, 2021**

(54) **VEHICLE WHEEL**

(71) Applicant: **Quarsa, LLC**, Chino, CA (US)

(72) Inventor: **Ali Mukti**, Surabaya (ID)

(73) Assignee: **QUARSA, LLC**, Chino, CA (US)

(**) Term: **15 Years**

(21) Appl. No.: **29/709,559**

(22) Filed: **Oct. 15, 2019**

(51) **LOC (13) Cl.** **12-16**

(52) **U.S. Cl.**
USPC **D12/210**

(58) **Field of Classification Search**
USPC D12/204–213; D21/563
CPC B60B 7/00; B60B 7/02; B60B 7/04; B60B
7/01; B60B 7/06; B60B 3/02; B60B 3/04;
B60B 3/06; B60B 3/10; B60B 1/00;
B60B 1/08; B60B 1/10; B60B 1/12
See application file for complete search history.

(56) **References Cited**

U.S. PATENT DOCUMENTS

D427,961 S * 7/2000 Donikoglu D12/210
D430,094 S * 8/2000 Hale, Jr. D12/210

D436,910 S * 1/2001 Hale, Jr. D12/210
D562,752 S * 2/2008 Chung D12/209
D576,093 S * 9/2008 Chung D12/210
D582,827 S * 12/2008 Musser D12/210
D624,477 S * 9/2010 McMath D12/210
D680,938 S * 4/2013 Hale, Jr. D12/210
D705,154 S * 5/2014 Harriton D12/209
D780,086 S * 2/2017 Galante D12/210
D797,027 S * 9/2017 Guo D12/210
D860,911 S * 9/2019 Han D12/210
D890,070 S * 7/2020 Mukti D12/210

* cited by examiner

Primary Examiner — Stacia A Cadmus

(74) *Attorney, Agent, or Firm* — Snell & Wilmer LLP

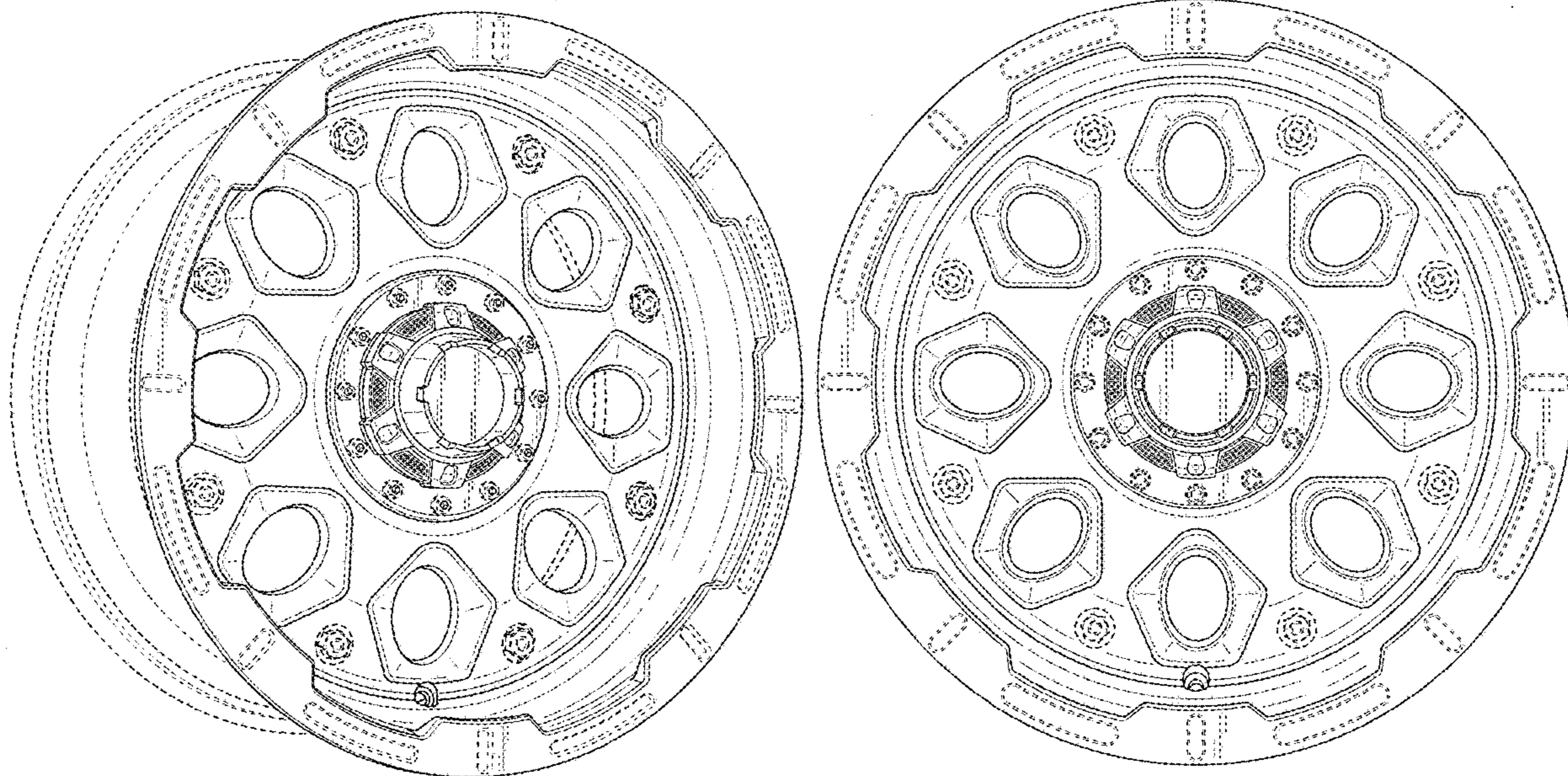
(57) **CLAIM**

I claim the ornamental design for a vehicle wheel, as shown and described.

DESCRIPTION

FIG. 1 is a perspective view of the vehicle wheel showing my new design; and,
FIG. 2 is a front view of the vehicle wheel of FIG. 1.
In the drawings, the portions of the wheel shown in broken lines form no part of the claimed design.

1 Claim, 2 Drawing Sheets



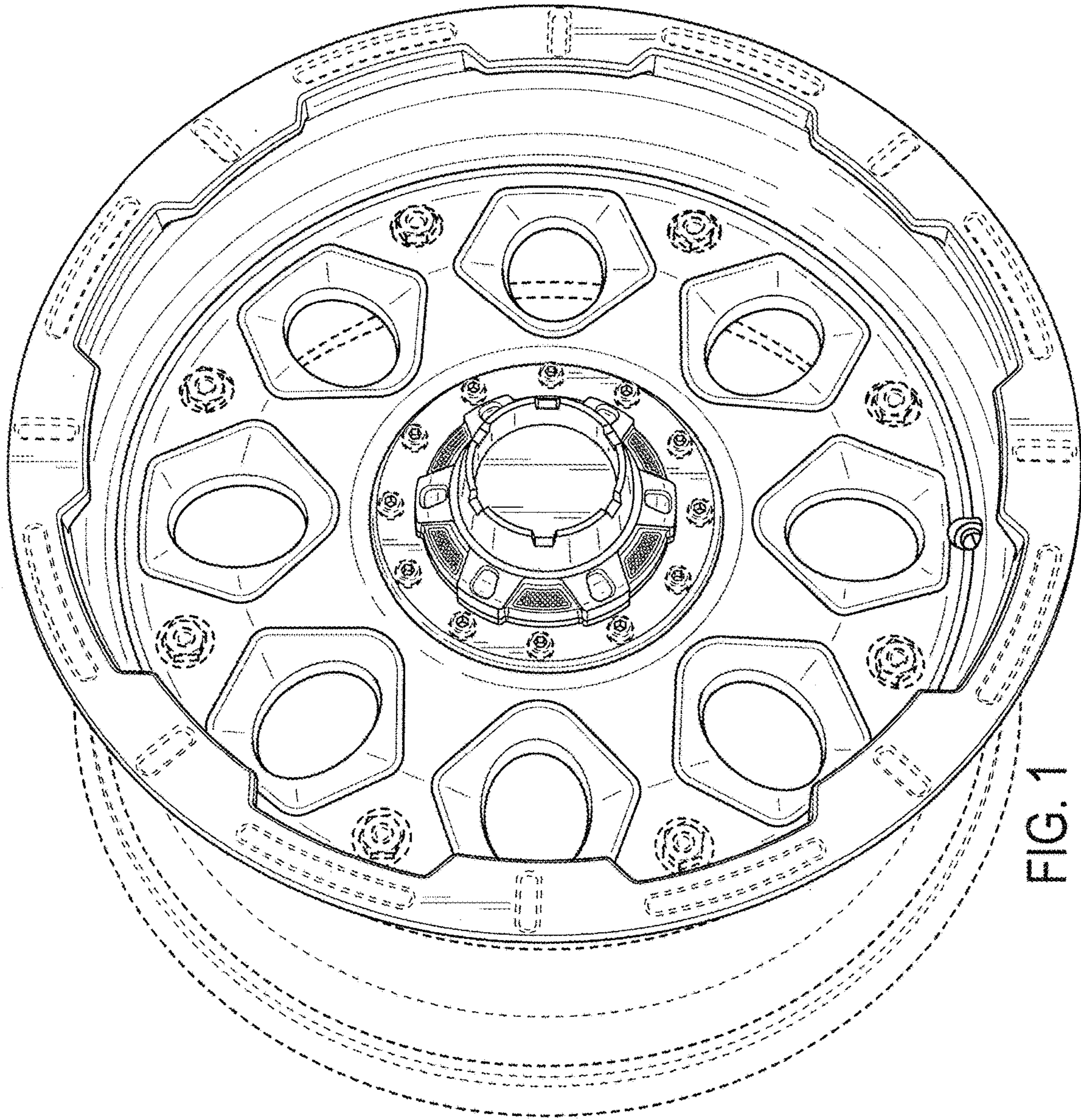


FIG. 1

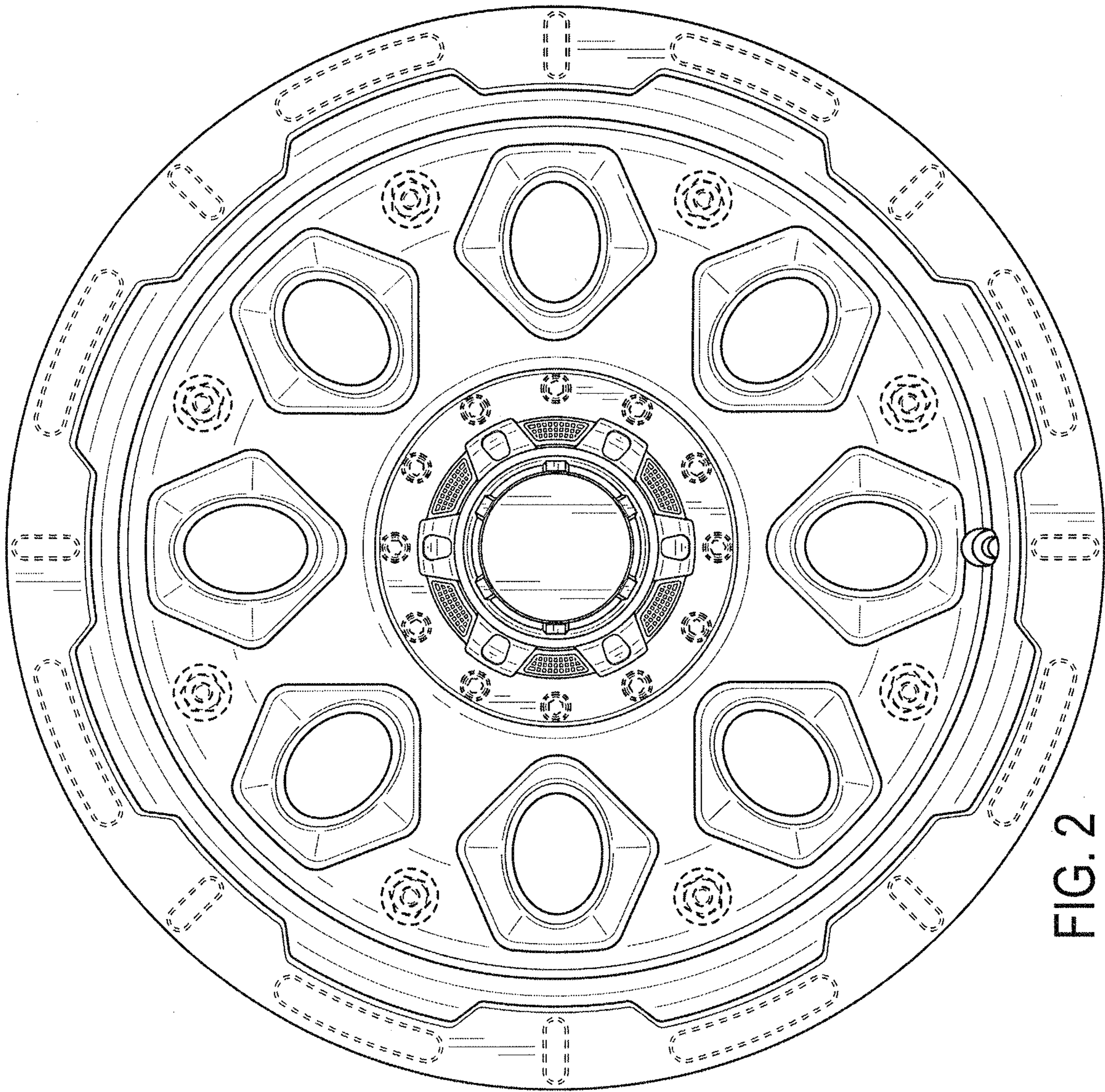


FIG. 2