



US00D908582S

(12) **United States Design Patent**  
**Mukti**

(10) **Patent No.:** **US D908,582 S**

(45) **Date of Patent:** **\*\* Jan. 26, 2021**

(54) **VEHICLE WHEEL**

(71) Applicant: **Quarsa, LLC**, Chino, CA (US)

(72) Inventor: **Ali Mukti**, Surabaya (ID)

(73) Assignee: **Quarsa, LLC**, Chino, CA (US)

(\*\*) Term: **15 Years**

(21) Appl. No.: **29/713,384**

(22) Filed: **Nov. 15, 2019**

(51) **LOC (13) Cl.** ..... **12-16**

(52) **U.S. Cl.**  
USPC ..... **D12/209**

(58) **Field of Classification Search**  
USPC ..... D12/204–213; D21/563  
CPC .... B60B 7/00; B60B 7/02; B60B 7/04; B60B  
7/01; B60B 7/06; B60B 3/02; B60B 3/04;  
B60B 3/06; B60B 3/10; B60B 1/00;  
B60B 1/08; B60B 1/10; B60B 1/12  
See application file for complete search history.

(56) **References Cited**

**U.S. PATENT DOCUMENTS**

D670,222 S	*	11/2012	Chung	.....	D12/209
D680,047 S	*	4/2013	Hale, Jr.	.....	D12/209
D691,543 S	*	10/2013	Gordon	.....	D12/209
D691,937 S	*	10/2013	Chan	.....	D12/209
D695,181 S	*	12/2013	Kong	.....	D12/209
D704,123 S	*	5/2014	Rahman	.....	D12/211

D707,168 S	*	6/2014	Chan	.....	D12/209
D719,890 S	*	12/2014	Johnson	.....	D12/209
D736,133 S	*	8/2015	Hale	.....	D12/209
D747,674 S	*	1/2016	Johnson	.....	D12/209
D748,557 S	*	2/2016	Johnson	.....	D12/209
D751,018 S	*	3/2016	Platto	.....	D12/209
D752,497 S	*	3/2016	Johnson	.....	D12/209
D753,048 S	*	4/2016	Chan	.....	D12/211
D790,425 S	*	6/2017	Johnson	.....	D12/209
D805,454 S	*	12/2017	Kong	.....	D12/209
D823,776 S	*	7/2018	Glover	.....	D12/211
D835,558 S	*	12/2018	Fee	.....	D12/204
D853,303 S	*	7/2019	Kong	.....	D12/209
D856,246 S	*	8/2019	Liffick	.....	D12/209

\* cited by examiner

*Primary Examiner* — Stacia A Cadmus

(74) *Attorney, Agent, or Firm* — Snell & Wilmer LLP

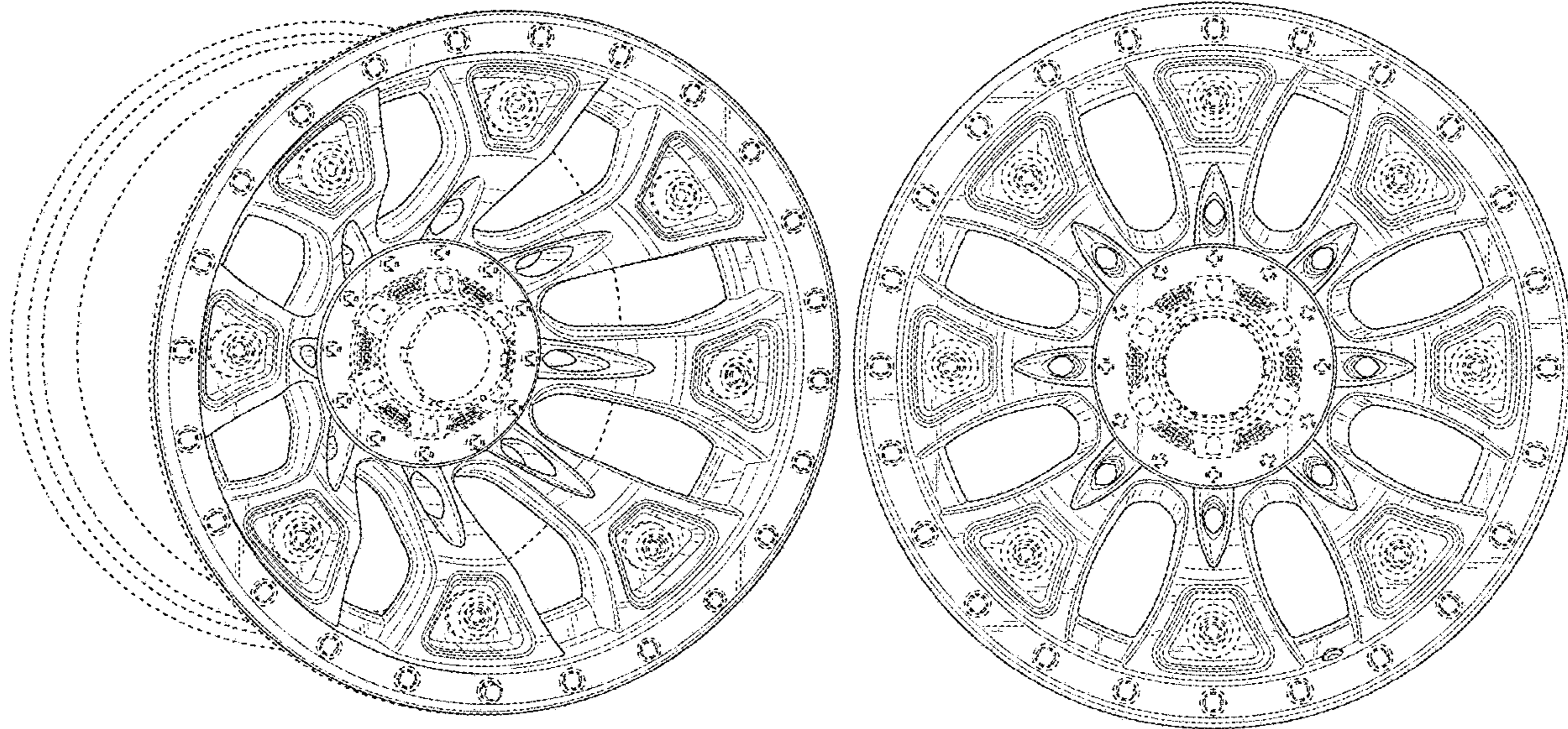
(57) **CLAIM**

I claim the ornamental design for a vehicle wheel, as shown and described.

**DESCRIPTION**

FIG. 1 is a front perspective view of the vehicle wheel showing my new design; FIG. 2 is another perspective view thereof; and, FIG. 3. is a front view of the vehicle wheel of FIG. 1. In the drawings, the portions of the wheel shown in broken lines form no part of the claimed design.

**1 Claim, 3 Drawing Sheets**



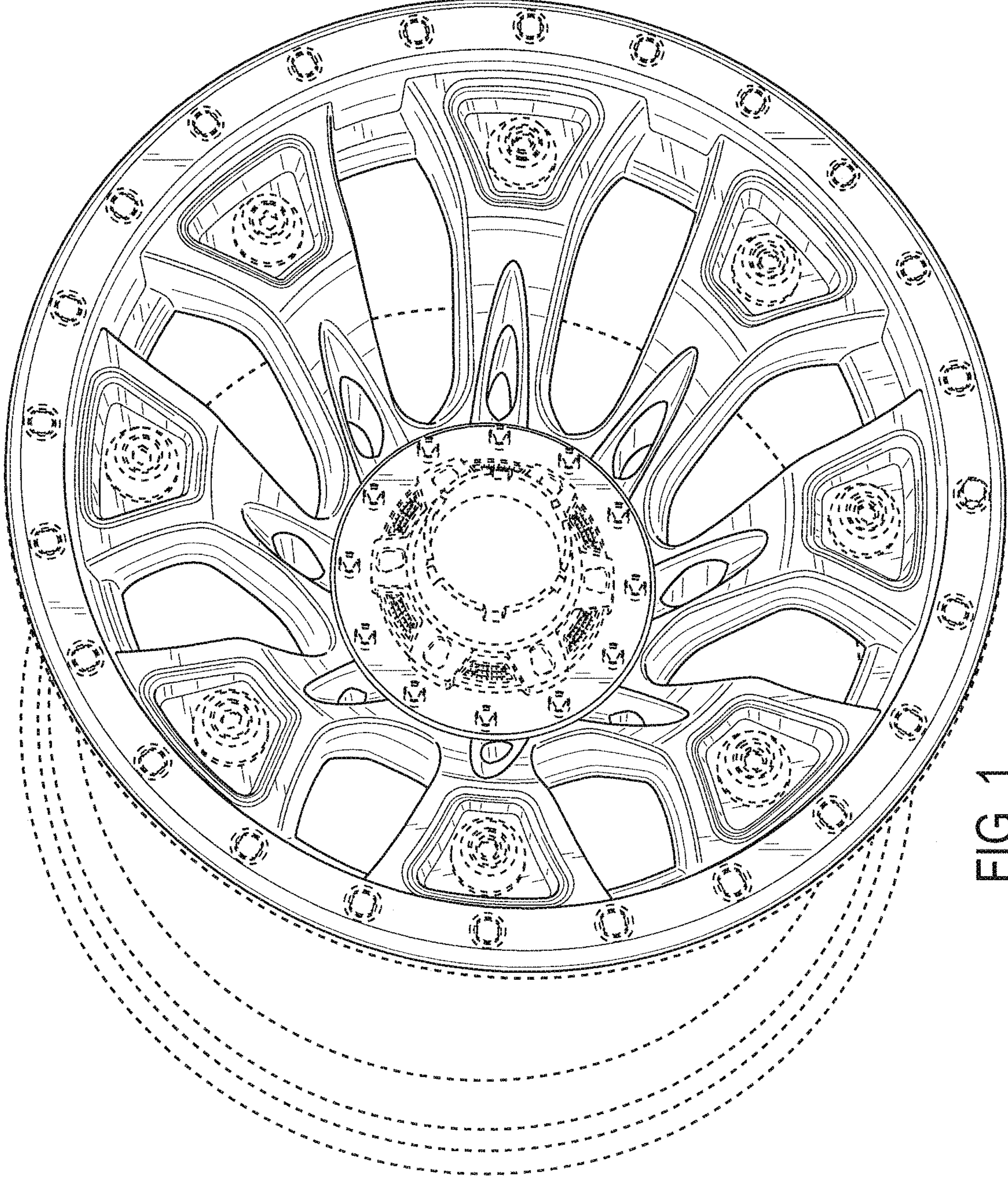


FIG. 1

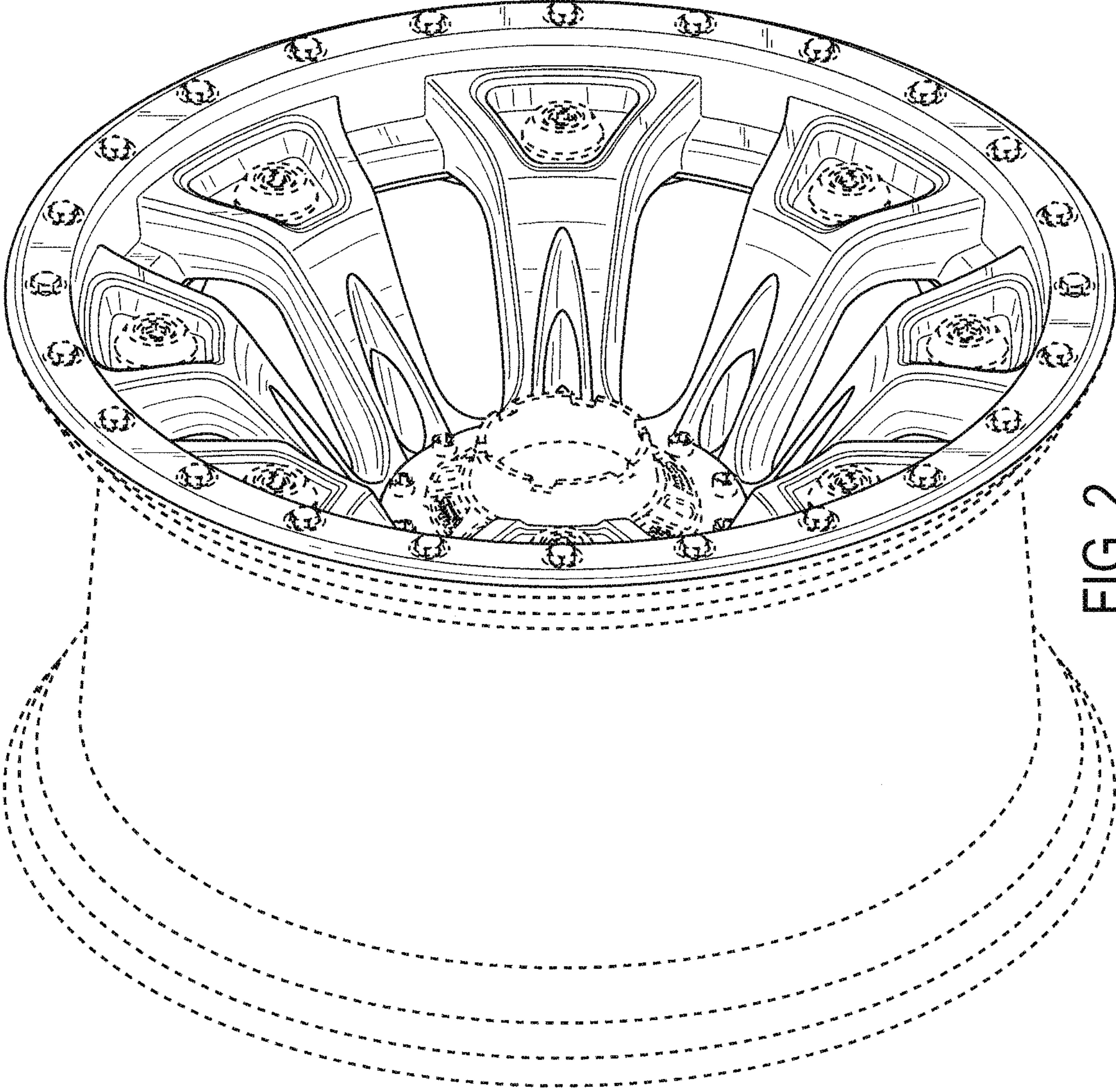


FIG. 2

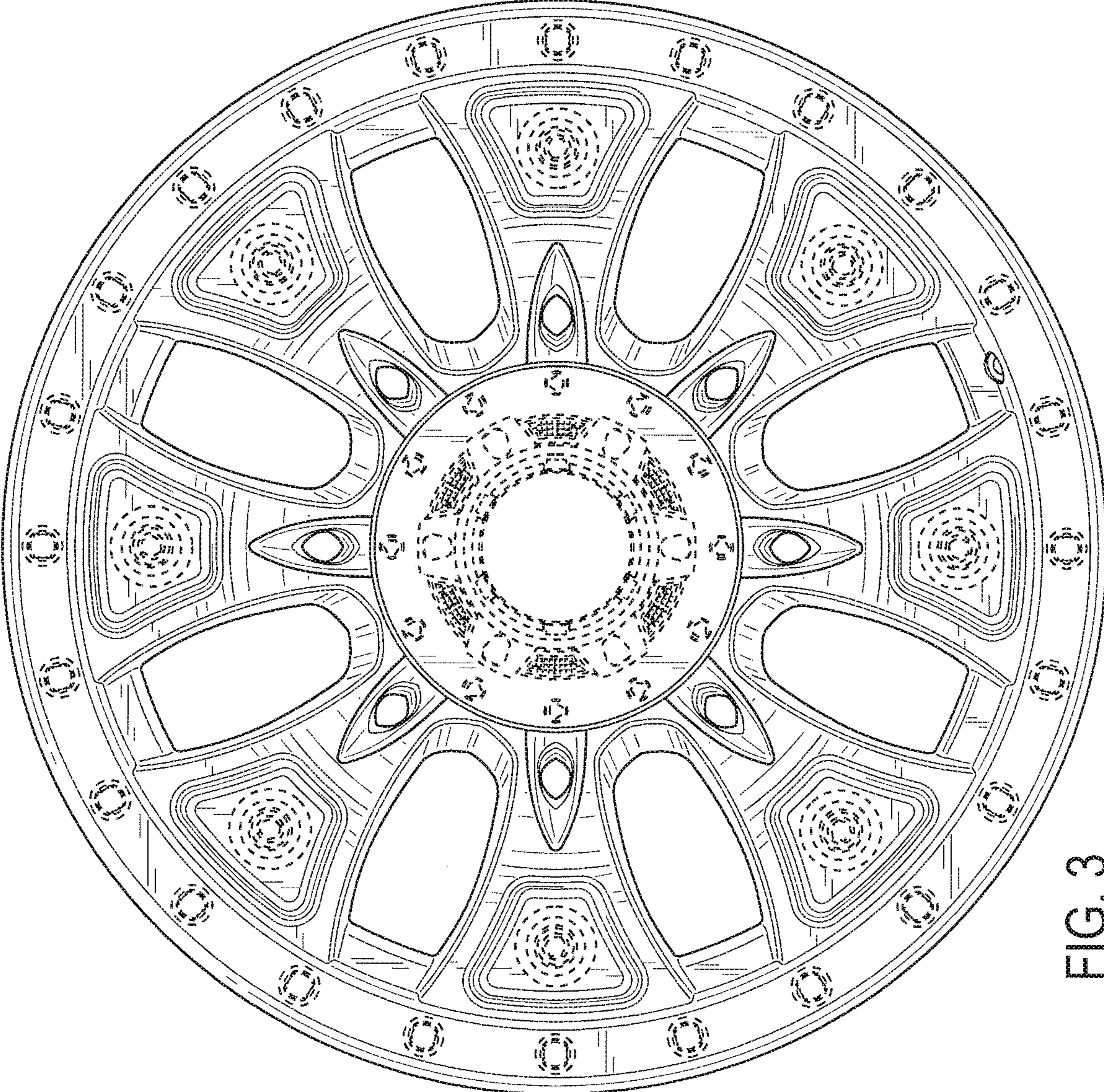


FIG. 3