



US00D908579S

(12) **United States Design Patent**  
**Badstuebner et al.**

(10) **Patent No.:** **US D908,579 S**  
(45) **Date of Patent:** **\*\* Jan. 26, 2021**

- (54) **WHEEL OR WHEEL COVER**
- (71) Applicant: **Daimler AG**, Stuttgart (DE)
- (72) Inventors: **Achim-Dietrich Badstuebner**, Munich (DE); **Jaroslav Hejtmanek**, Moetzingen (DE); **Robert Lesnik**, Leonberg (DE); **Peter Riedel**, Holzgerlingen (DE); **Uwe Schuller**, Holzgerlingen (DE); **Thomas Saelzle**, Kornwestheim (DE); **Gorden Wagener**, Gaeufelden (DE)
- (73) Assignee: **Daimler AG**, Stuttgart (DE)

D644,155 S *	8/2011	Truebsbach	.....	D12/209
D671,875 S *	12/2012	Camacho	.....	D12/209
D691,541 S *	10/2013	Behmer	.....	D12/209
D800,627 S *	10/2017	Mielke	.....	D12/209
D800,631 S *	10/2017	Krause	.....	D12/211
D800,632 S *	10/2017	Gonser	.....	D12/211
D821,283 S *	6/2018	Juergens	.....	D12/209
D825,428 S *	8/2018	Myrberg	.....	D12/209
D843,292 S *	3/2019	Juergens	.....	D12/209
D849,652 S *	5/2019	De Jung	.....	D12/209
D854,481 S *	7/2019	Bucher	.....	D12/209
D856,253 S *	8/2019	Kraljevic	.....	D12/209
D864,829 S *	10/2019	Groth	.....	D12/209
D867,962 S *	11/2019	Battams	.....	D12/209
D876,308 S *	2/2020	O'Neill	.....	D12/209
D887,337 S *	6/2020	Daniel	.....	D12/209

(\*\*) Term: **15 Years**

**FOREIGN PATENT DOCUMENTS**

(21) Appl. No.: **29/704,665**

EM 001855974-0001 11/2018

(22) Filed: **Sep. 6, 2019**

\* cited by examiner

(30) **Foreign Application Priority Data**

Mar. 7, 2019 (DE) ..... 40 2019 200 811

*Primary Examiner* — Sheryl Lane

*Assistant Examiner* — Calvin E Vansant

(74) *Attorney, Agent, or Firm* — Crowell & Moring LLP

(51) **LOC (13) Cl.** ..... **12-16**

(52) **U.S. Cl.**  
USPC ..... **D12/209; D12/211**

(58) **Field of Classification Search**  
USPC ..... D12/204–213; D21/533, 561, 563  
CPC .... B60B 7/00; B60B 7/02; B60B 7/04; B60B 7/06; B60B 3/02; B60B 3/04; B60B 3/06; B60B 3/10; B60B 1/00; B60B 1/08; B60B 1/10; B60B 1/12

See application file for complete search history.

(57) **CLAIM**

The ornamental design for a wheel or wheel cover, as shown and described.

(56) **References Cited**

**U.S. PATENT DOCUMENTS**

D617,247 S \* 6/2010 Gallert ..... D12/209  
D641,679 S \* 7/2011 Vardis ..... D12/211

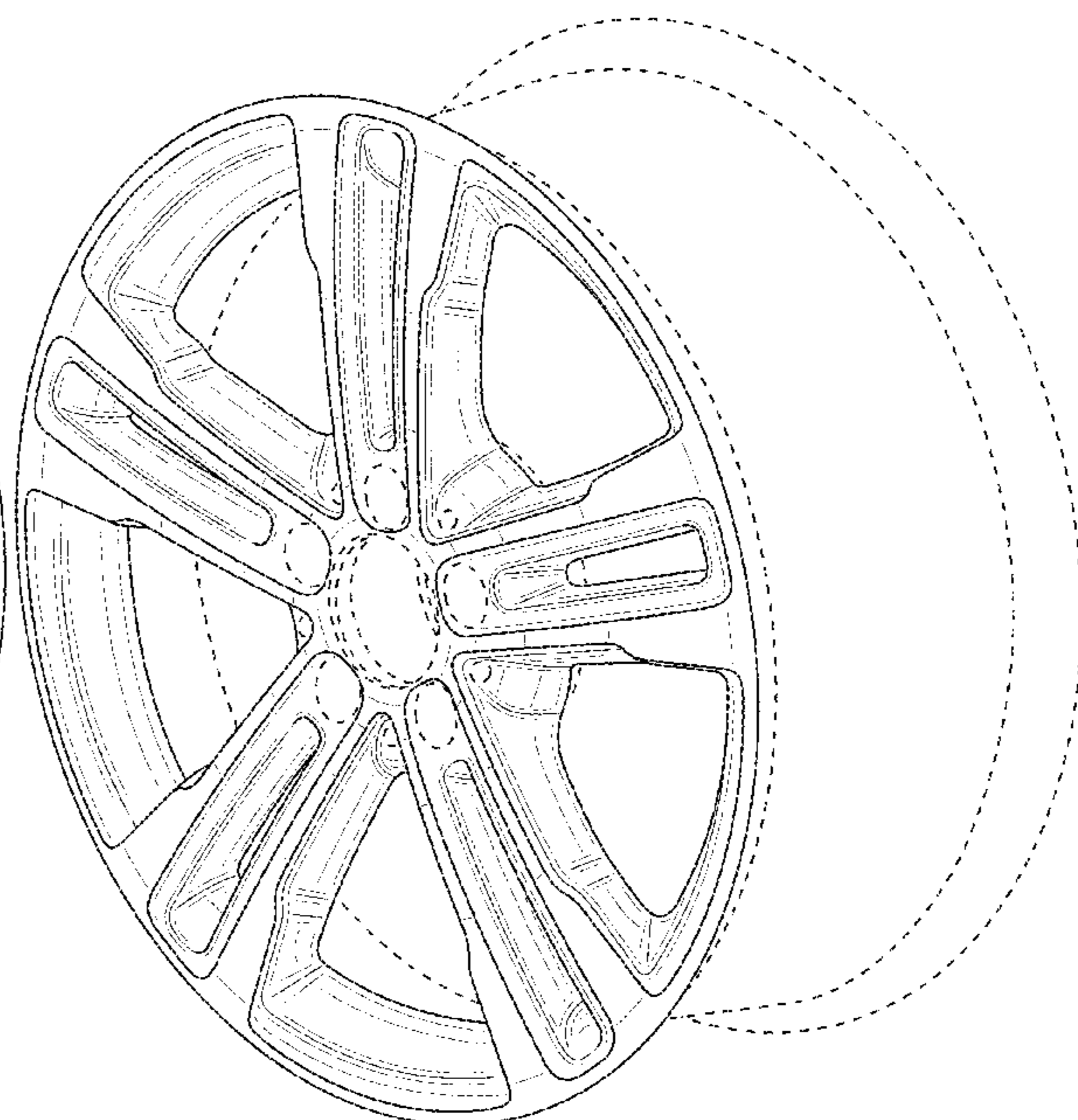
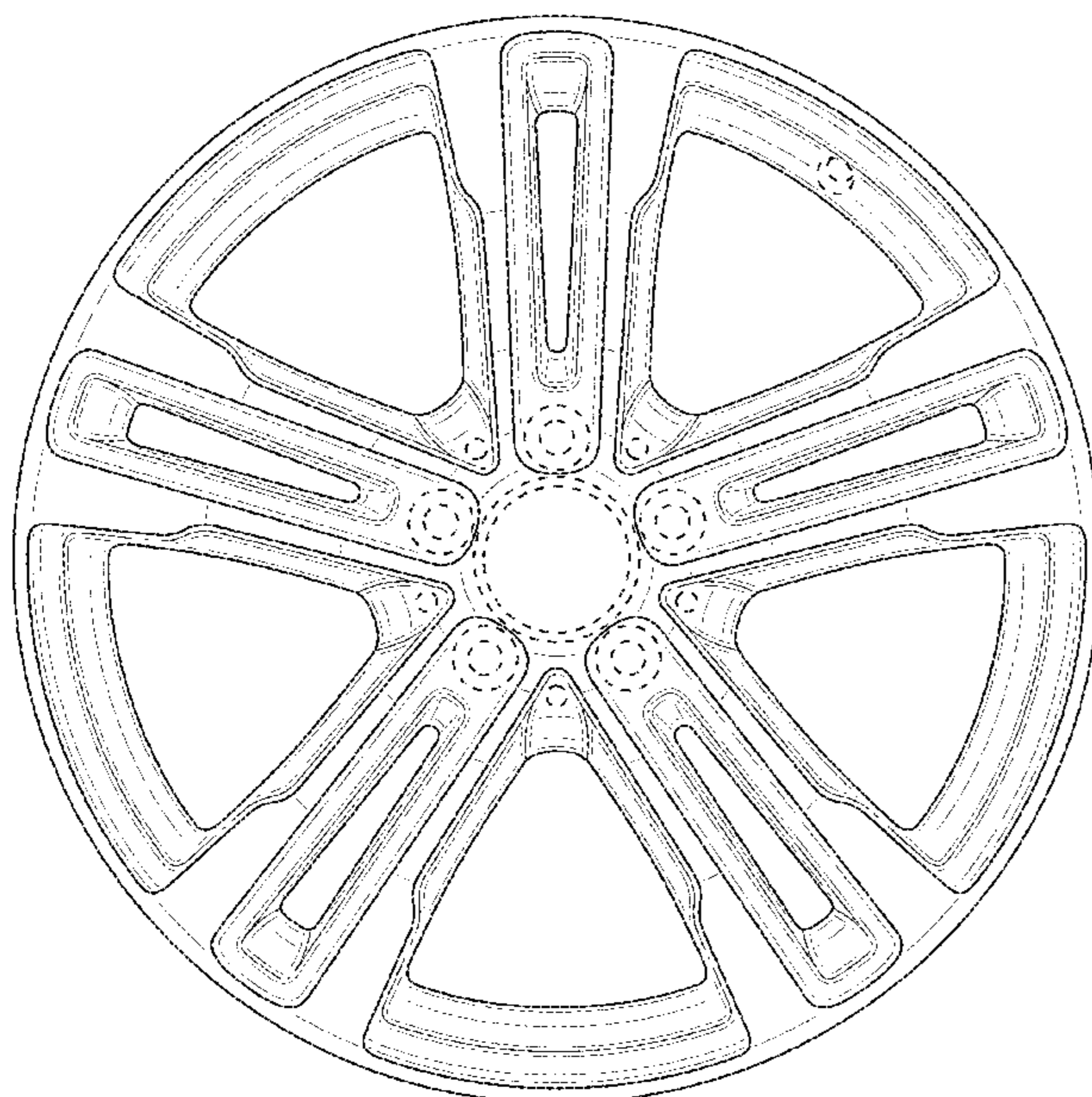
**DESCRIPTION**

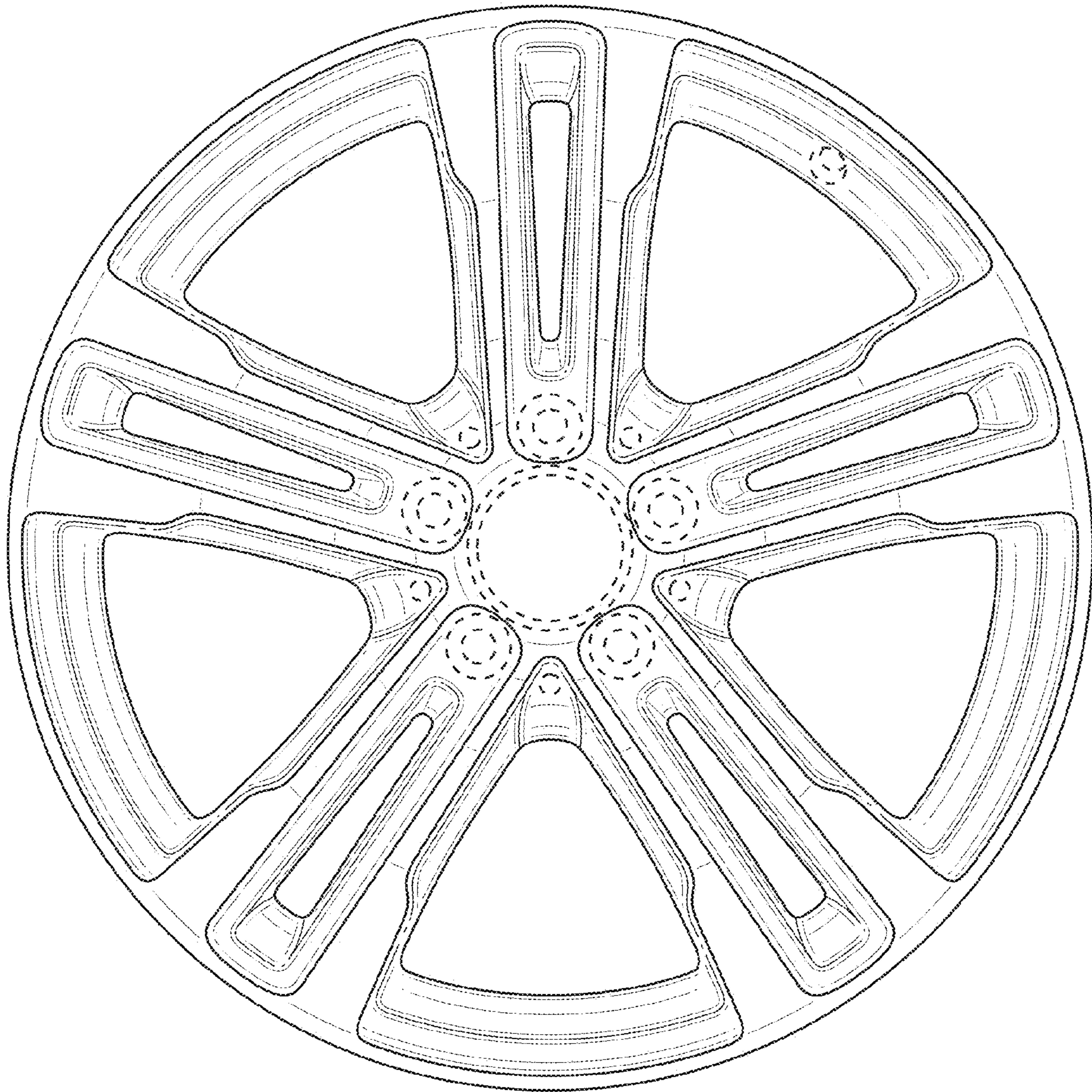
FIG. 1 is a front view of a wheel or wheel cover according to the design; and,

FIG. 2 is a perspective view thereof.

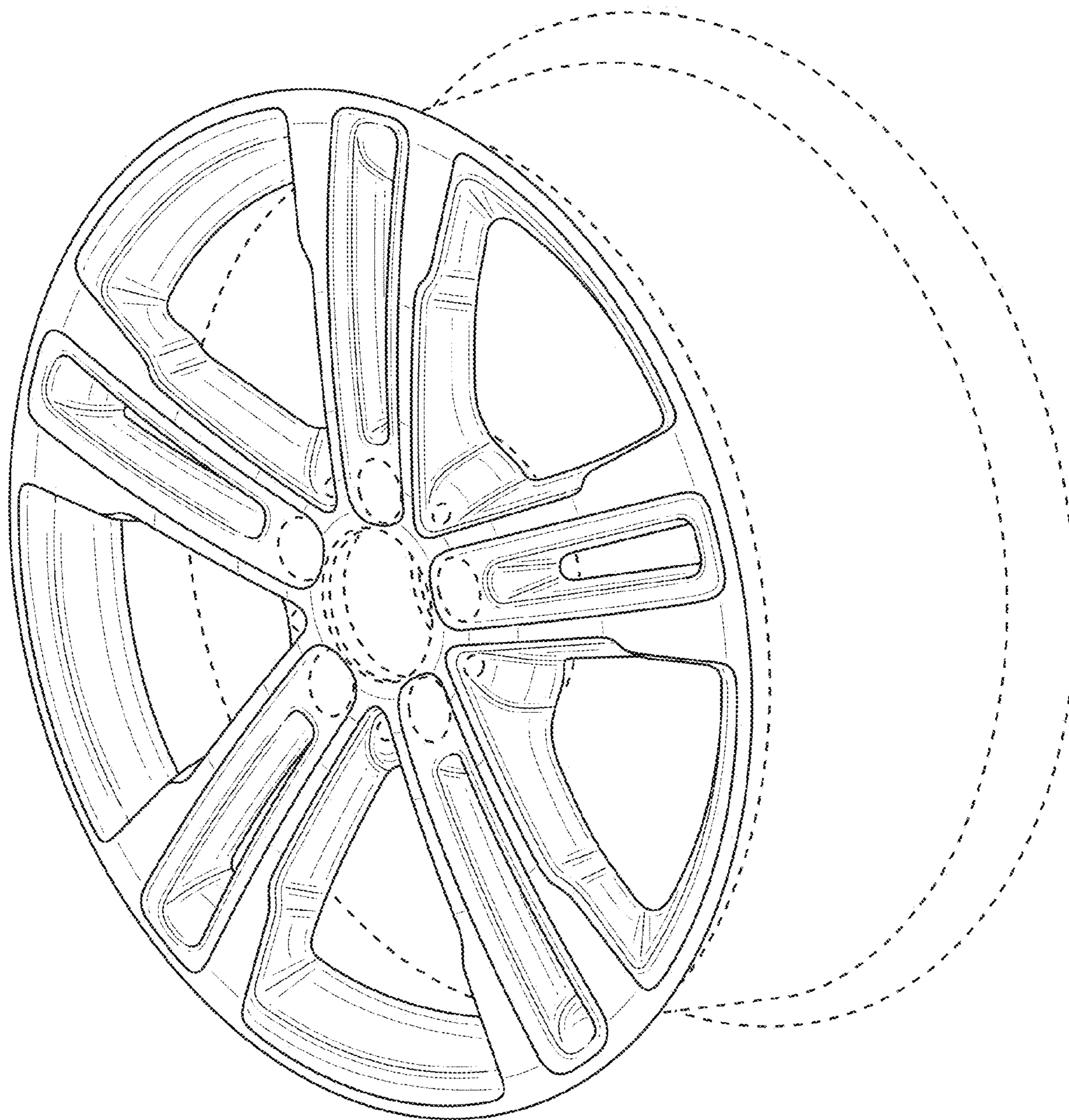
The broken lines in the drawings illustrate environmental subject matter only and form no part of the claimed design.

**1 Claim, 2 Drawing Sheets**





**FIG. 1**



**FIG. 2**