



US00D908578S

(12) **United States Design Patent**
Nakano et al.

(10) **Patent No.:** **US D908,578 S**

(45) **Date of Patent:** **** Jan. 26, 2021**

(54) **WHEEL**

(71) Applicant: **AMERICAN HONDA MOTOR CO., INC.**, Torrance, CA (US)

(72) Inventors: **Tadashi Nakano**, Fujimino (JP);
Makoto Imazato, Asaka (JP)

(73) Assignee: **AMERICAN HONDA MOTOR CO., INC.**, Torrance, CA (US)

(**) Term: **15 Years**

(21) Appl. No.: **29/700,181**

(22) Filed: **Jul. 31, 2019**

(51) **LOC (13) Cl.** **12-16**

(52) **U.S. Cl.**
USPC **D12/209**

(58) **Field of Classification Search**
USPC D12/204–213; D21/563
CPC B60B 7/00; B60B 7/02; B60B 7/04; B60B 7/01;
B60B 7/06; B60B 3/02; B60B 3/04; B60B 3/06;
B60B 3/10; B60B 1/00; B60B 1/08; B60B 1/10; B60B 1/12
See application file for complete search history.

(56) **References Cited**

U.S. PATENT DOCUMENTS

D433,372 S	*	11/2000	Donikoglu	D12/209
D455,701 S	*	4/2002	McMath	D12/209
D697,005 S	*	1/2014	Juergens	D12/209
D723,444 S	*	3/2015	Hodges	D12/209
D725,568 S	*	3/2015	Hodges	D12/209
D738,278 S	*	9/2015	Wolff	D12/209
D788,002 S	*	5/2017	Bridan	D12/209
D836,054 S	*	12/2018	Kikuchi	D12/209
D838,650 S	*	1/2019	Han	D12/209
D847,071 S	*	4/2019	Kawaguchi	D12/209
D867,964 S	*	11/2019	Selipanov	D12/209

D869,366 S	*	12/2019	Imazato	D12/209
D871,301 S	*	12/2019	Meng	D12/209
D873,756 S	*	1/2020	Melville-Brown	D12/209
D877,028 S	*	3/2020	Kusunoki	D12/209
D878,991 S	*	3/2020	Tomasson	D12/209
D879,695 S	*	3/2020	Daniel	D12/209
D884,574 S	*	5/2020	Junghans	D12/209
D886,021 S	*	6/2020	Khachatryan	D12/209
D887,941 S	*	6/2020	Han	D12/209
D889,368 S	*	7/2020	Lee	D12/209
D890,064 S	*	7/2020	Williams	D12/209
D892,014 S	*	8/2020	Cenan	D12/209

* cited by examiner

Primary Examiner — Stacia A Cadmus

(74) *Attorney, Agent, or Firm* — Arent Fox LLP

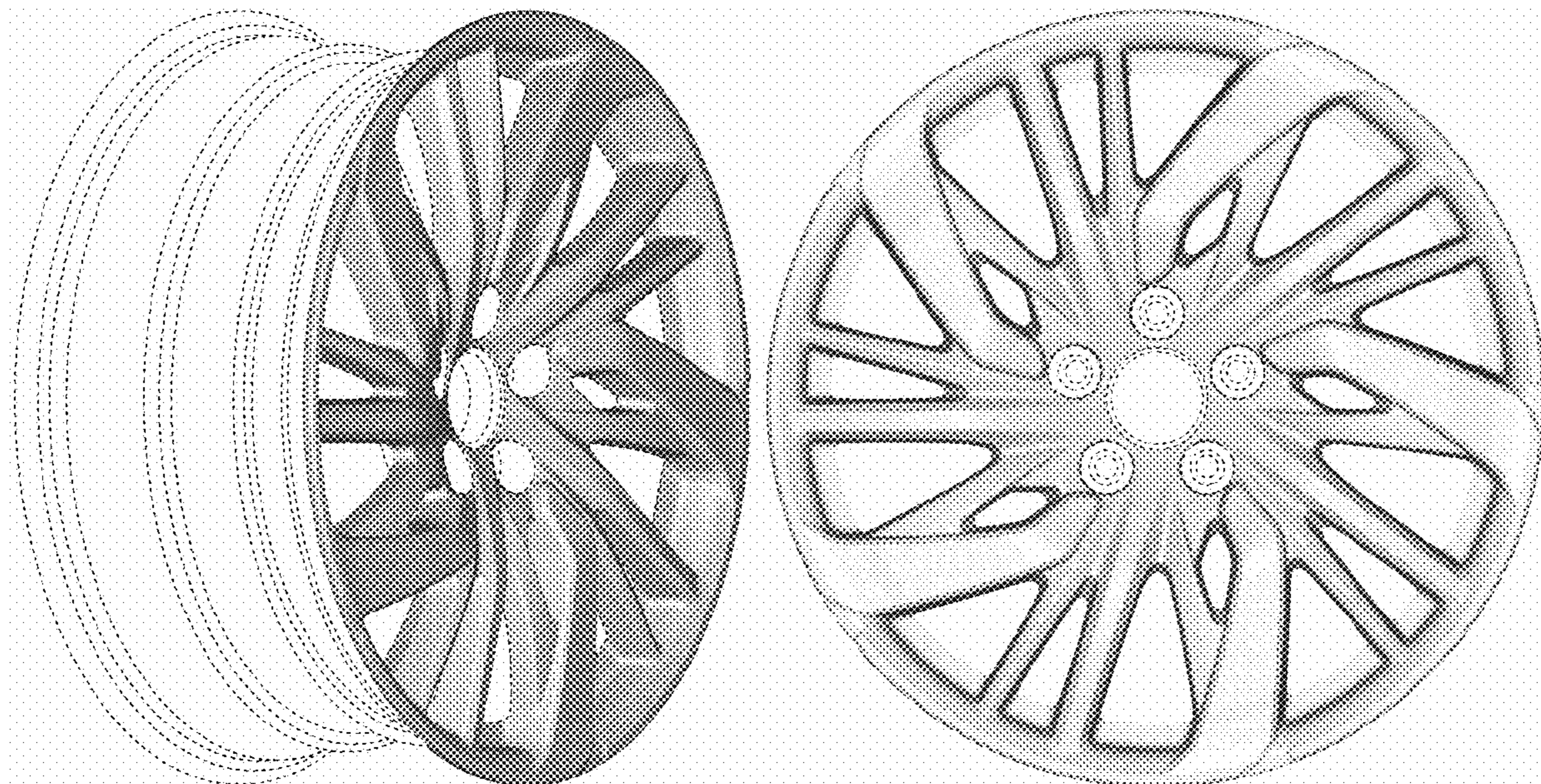
(57) **CLAIM**

The ornamental design for a wheel, as shown and described.

DESCRIPTION

FIG. 1 is a front left perspective view of a wheel showing our new design;
 FIG. 2 is a front right perspective view of the design shown in FIG. 1;
 FIG. 3 is a rear left perspective view of the design shown in FIG. 1;
 FIG. 4 is a rear right perspective view of the design shown in FIG. 1;
 FIG. 5 is a front view of the design shown in FIG. 1;
 FIG. 6 is a rear view of the design shown in FIG. 1;
 FIG. 7 is a left side view of the design shown in FIG. 1;
 FIG. 8 is a right side view of the design shown in FIG. 1;
 FIG. 9 is a top view of the design shown in FIG. 1; and,
 FIG. 10 is a bottom view of the design shown in FIG. 1.
 The broken lines shown in the figures are included for the purpose of illustrating portions of the wheel and form no part of the claimed design.

1 Claim, 10 Drawing Sheets



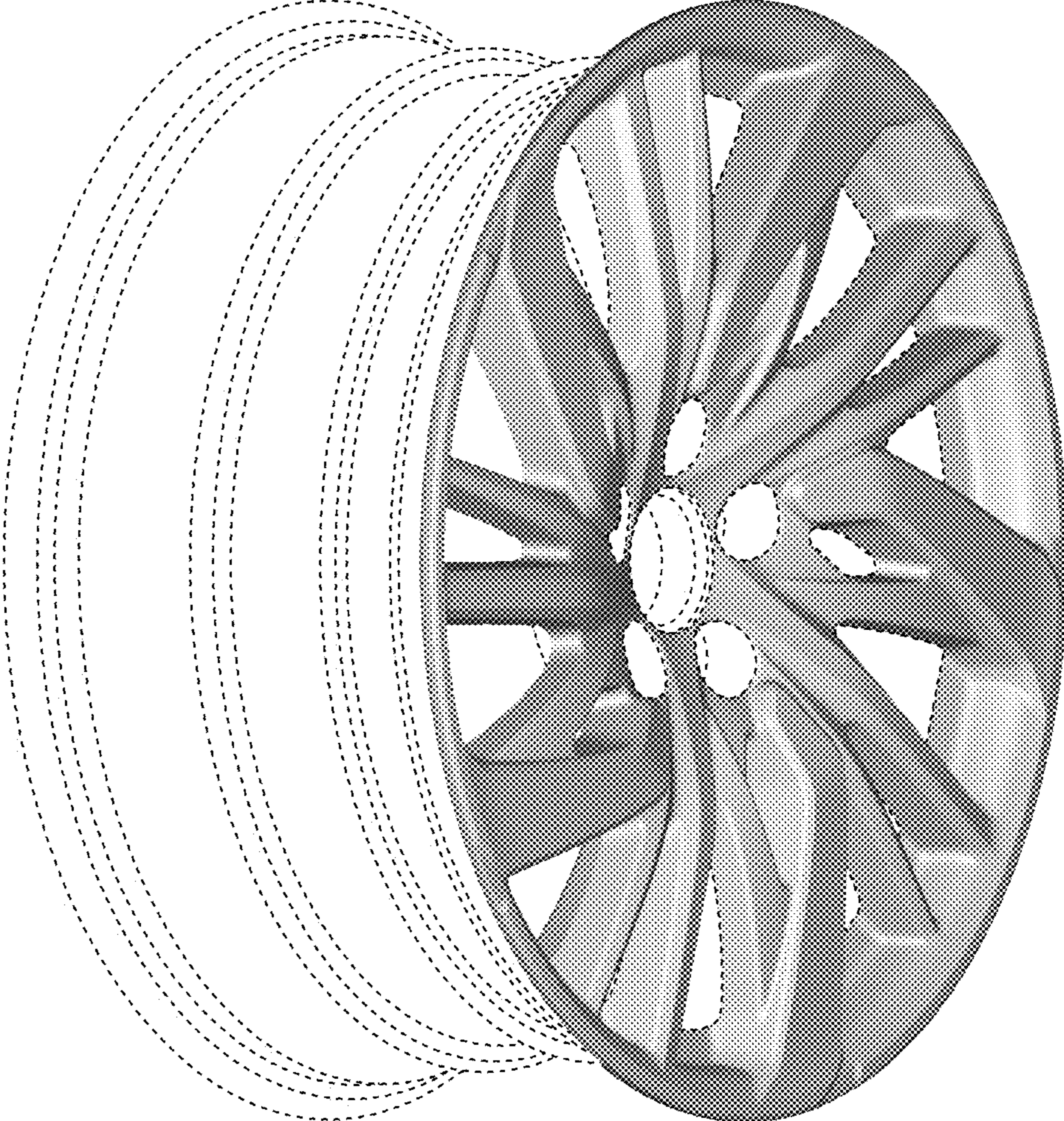


FIG. 1

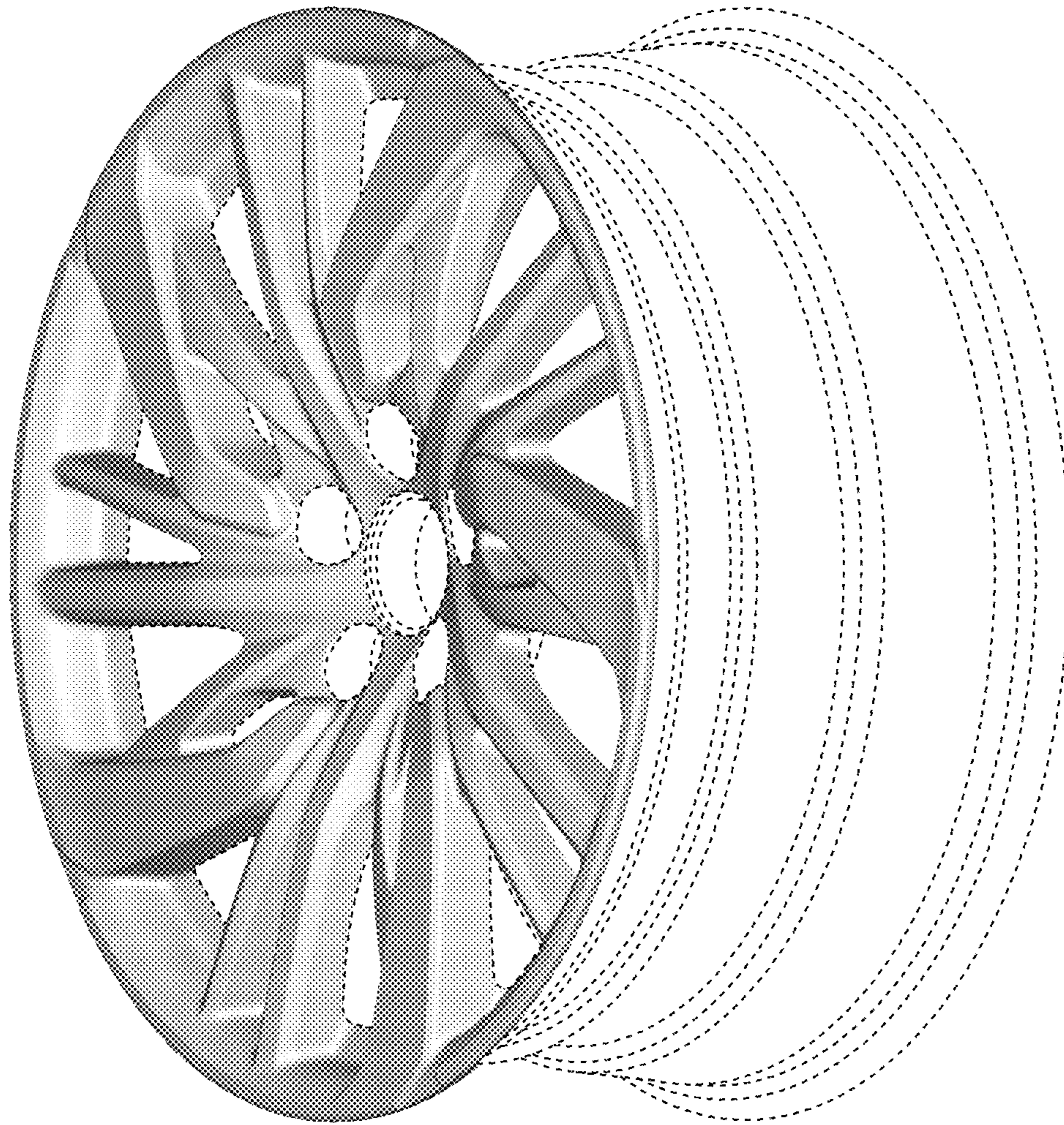


FIG. 2

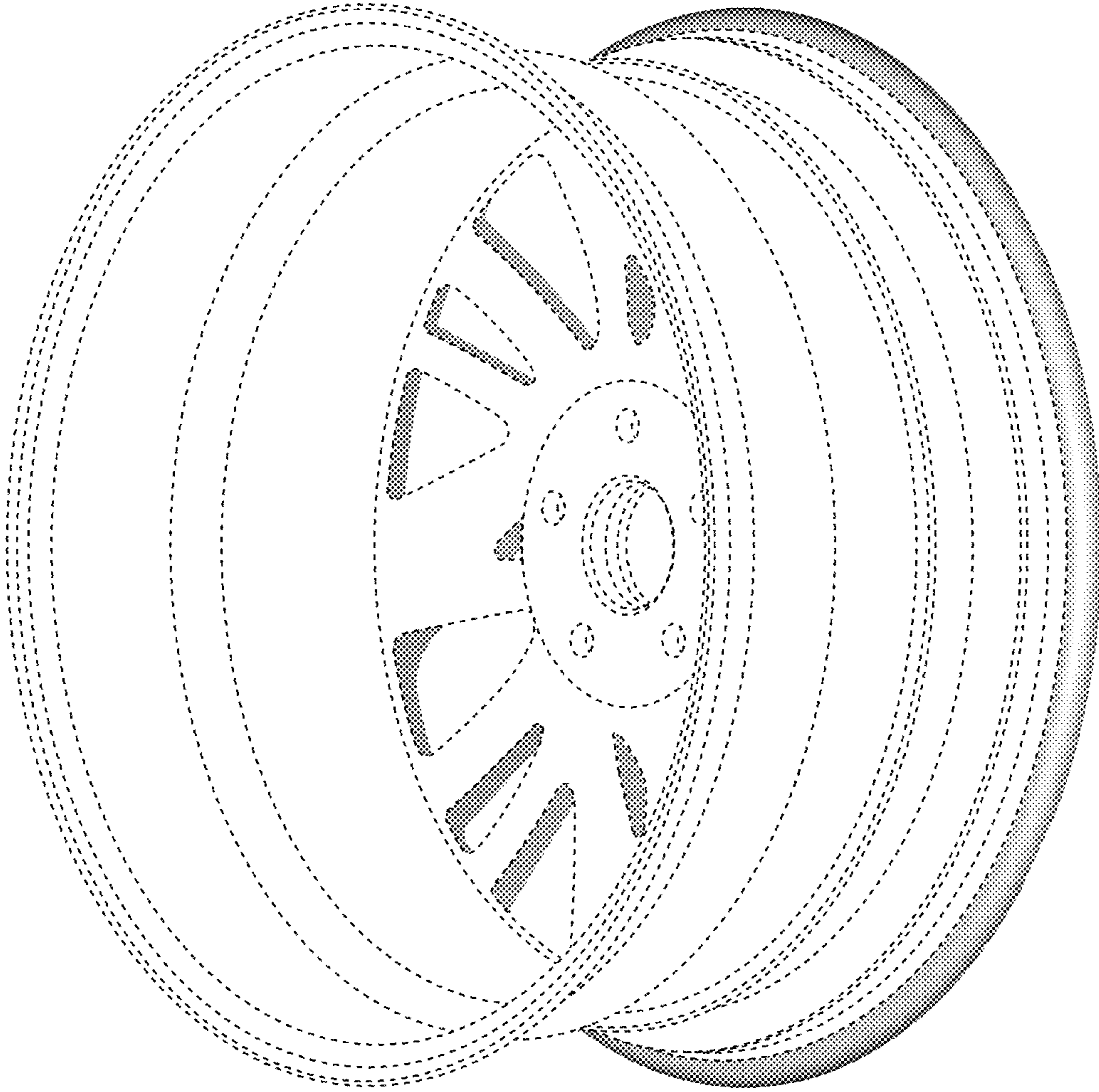


FIG. 3

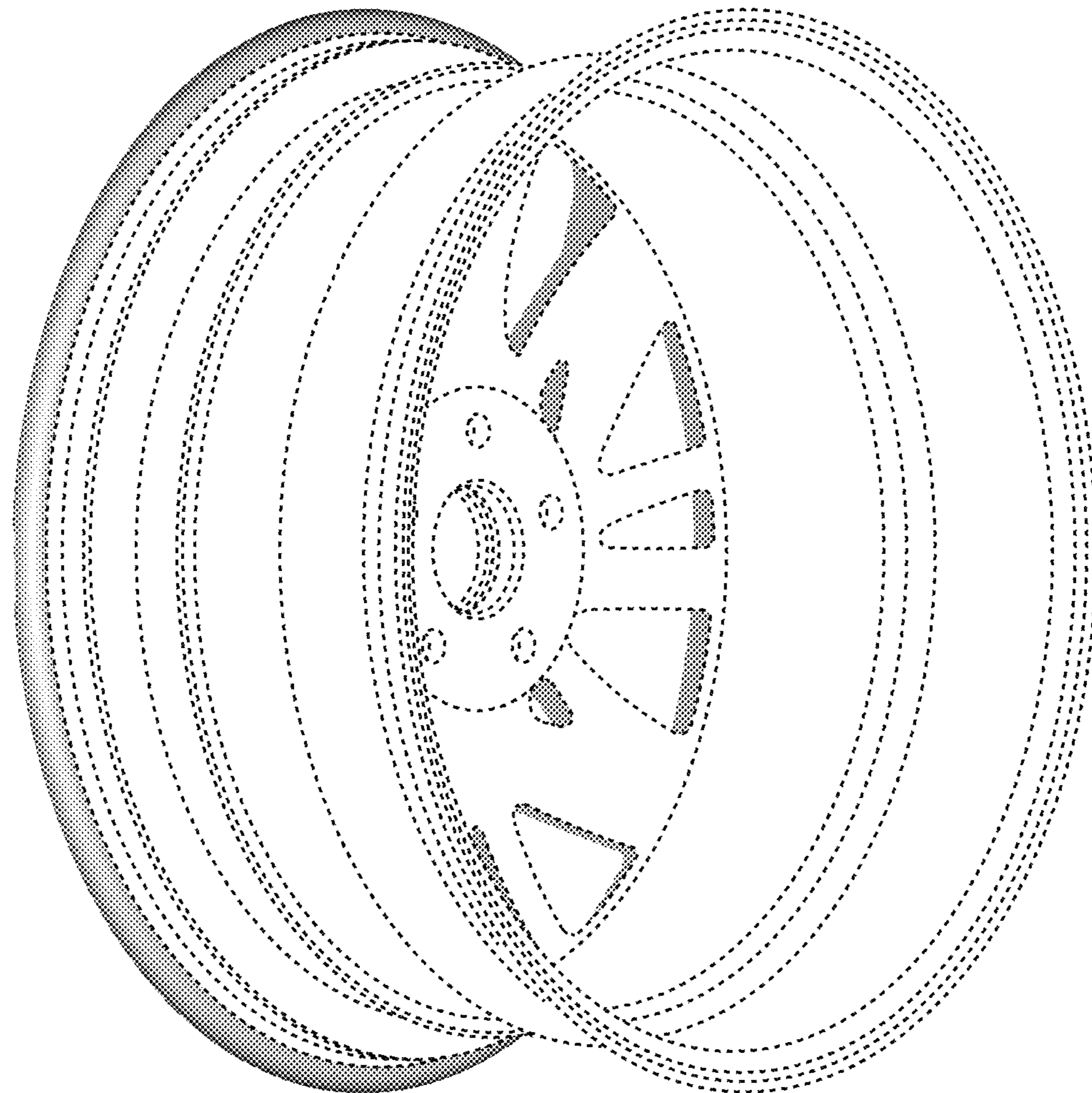


FIG. 4



FIG. 5

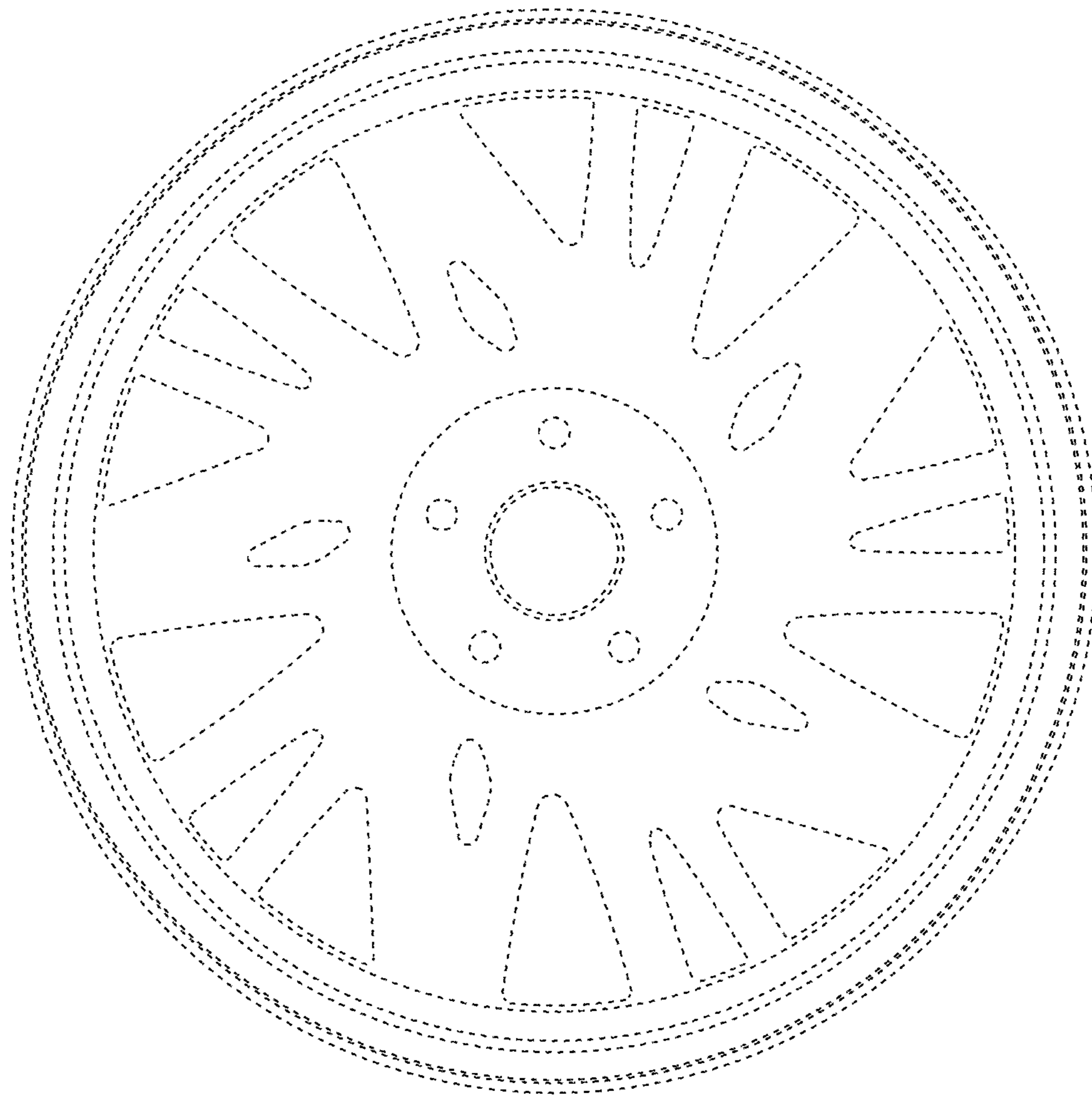


FIG. 6

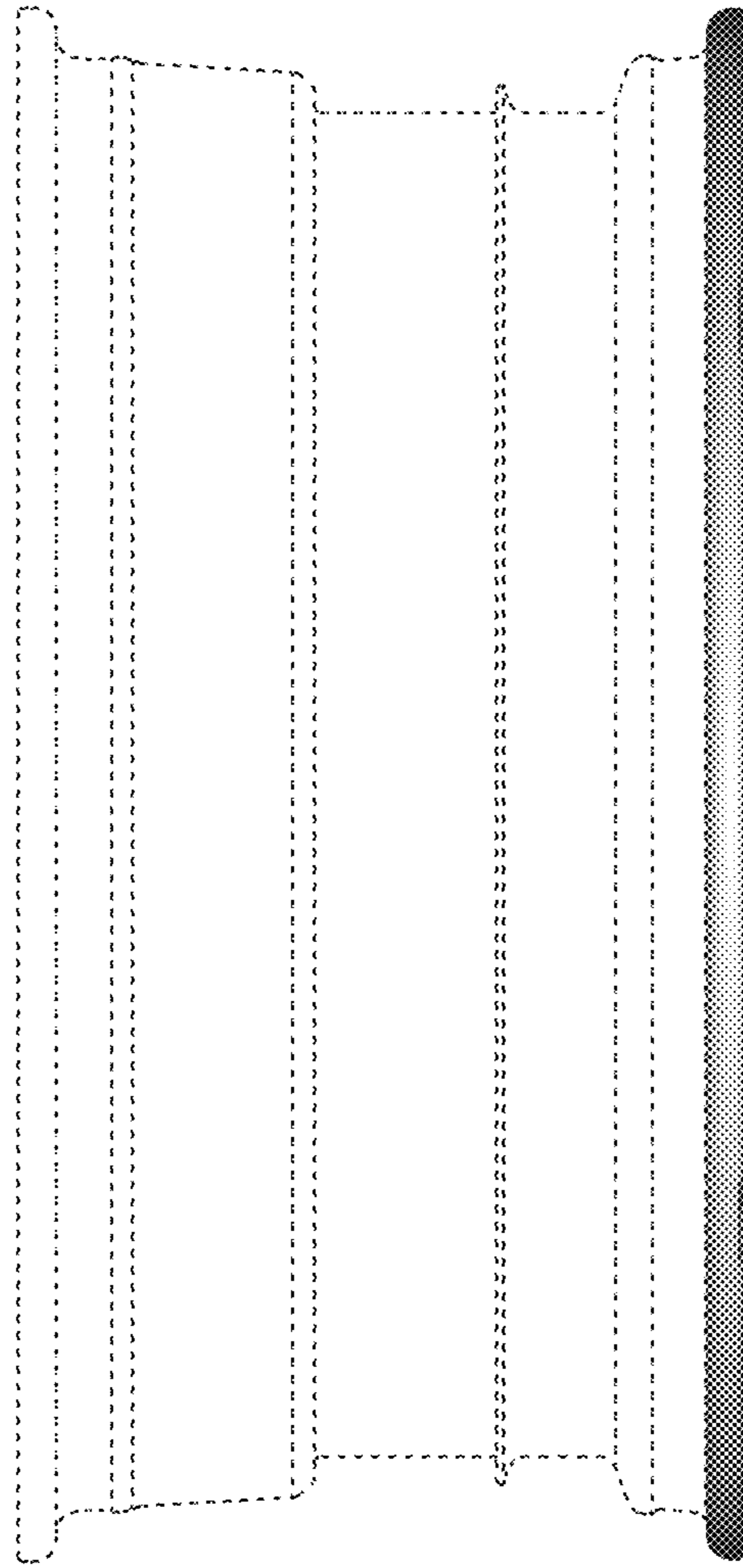


FIG. 7

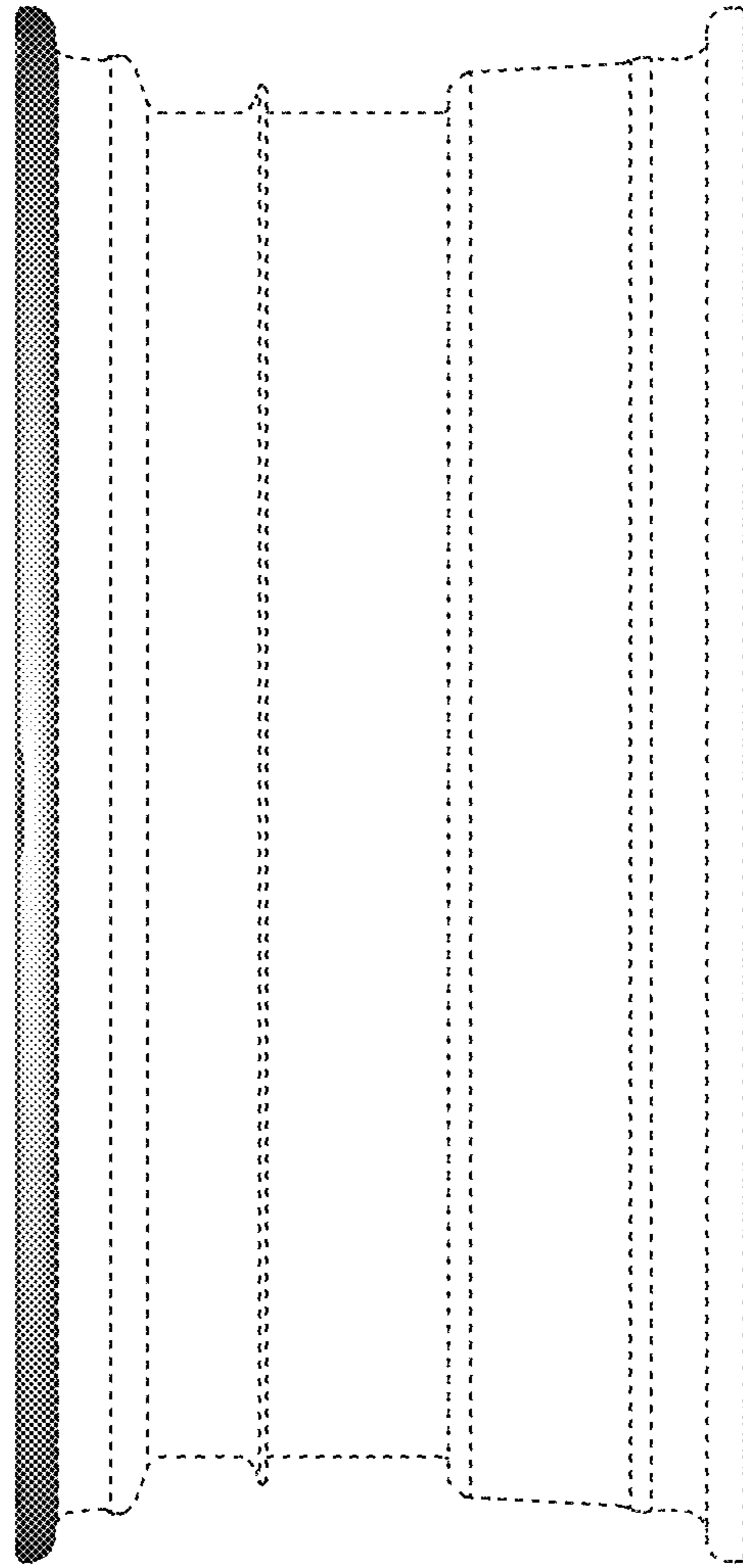


FIG. 8

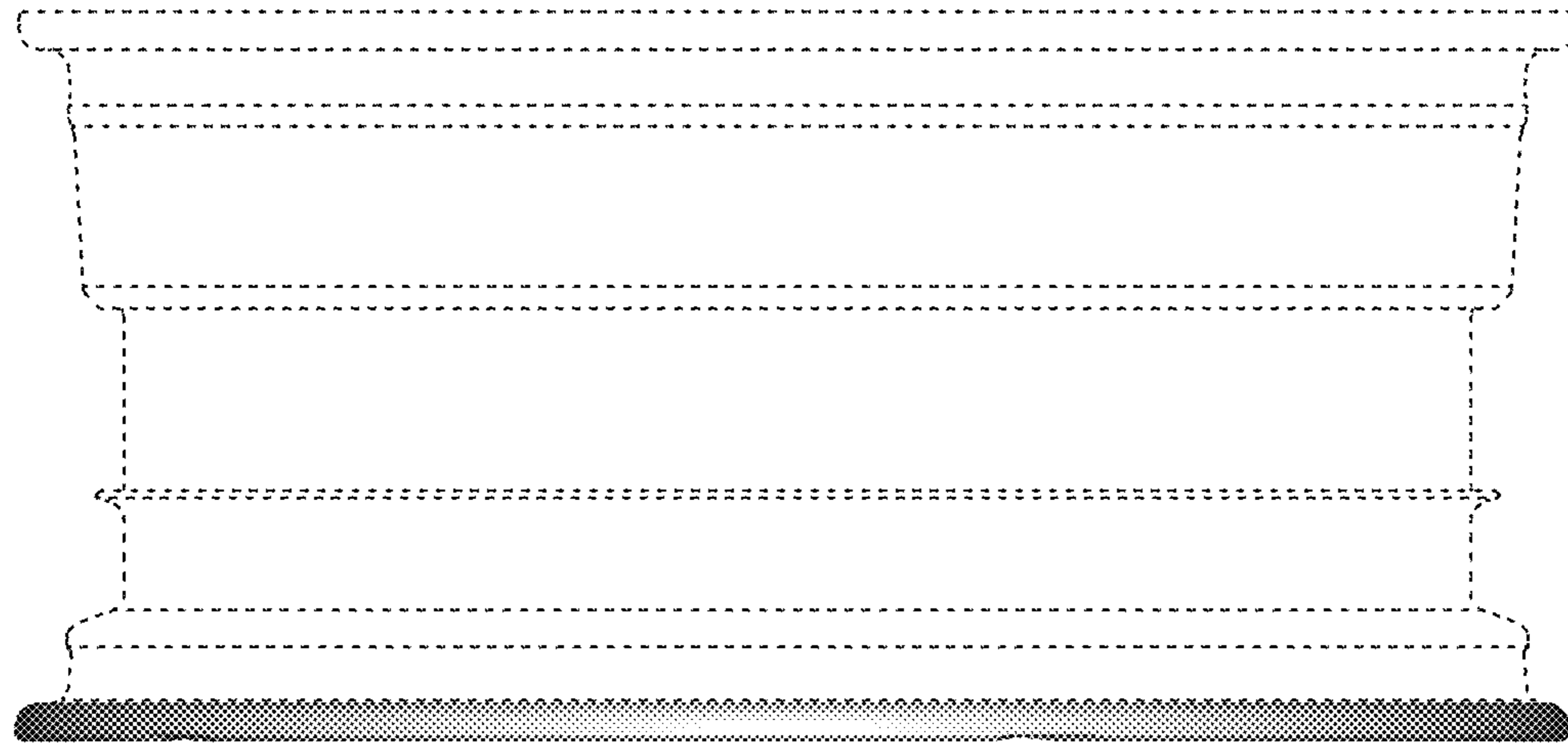


FIG. 9

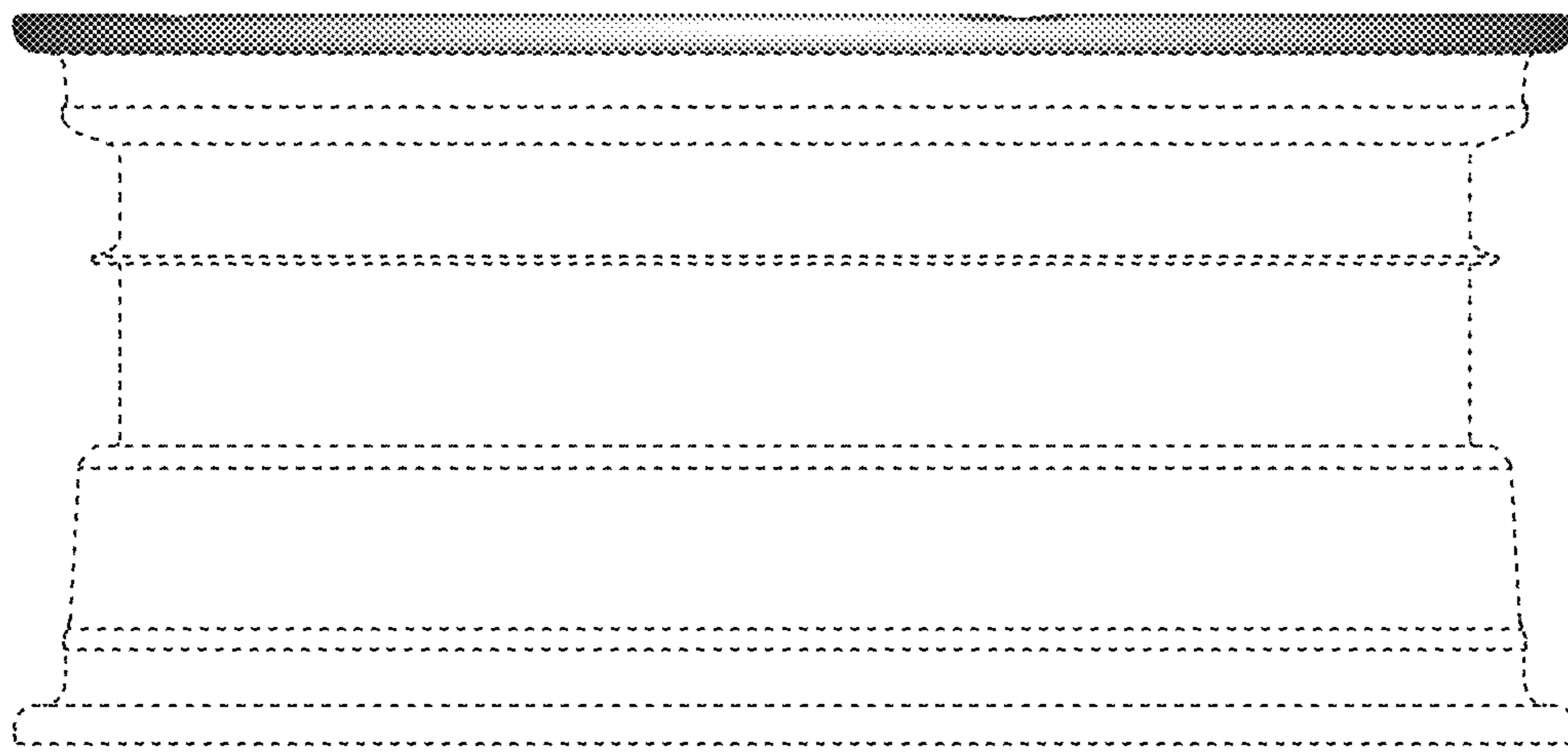


FIG. 10