



US00D908576S

(12) **United States Design Patent**  
**Han**

(10) **Patent No.:** **US D908,576 S**

(45) **Date of Patent:** **\*\* Jan. 26, 2021**

(54) **AUTOMOTIVE WHEEL**

(71) Applicant: **Donnie Han**, Corona, CA (US)

(72) Inventor: **Donnie Han**, Corona, CA (US)

(\*\*) Term: **15 Years**

(21) Appl. No.: **29/695,357**

(22) Filed: **Jun. 18, 2019**

(51) **LOC (13) Cl.** ..... **12-16**

(52) **U.S. Cl.**  
USPC ..... **D12/209**

(58) **Field of Classification Search**  
USPC ..... D12/204–213; D21/563  
CPC .... B60B 7/00; B60B 7/02; B60B 7/04; B60B  
7/01; B60B 7/06; B60B 3/02; B60B 3/04;  
B60B 3/06; B60B 3/10; B60B 1/00;  
B60B 1/08; B60B 1/10; B60B 1/12  
See application file for complete search history.

(56) **References Cited**

**U.S. PATENT DOCUMENTS**

D626,053 S *	10/2010	Groom	.....	D12/211
D638,766 S *	5/2011	Hilpert	.....	D12/211
D669,008 S *	10/2012	von Holzhausen	.....	D12/211
D702,614 S *	4/2014	Lemke	.....	D12/211
D744,931 S *	12/2015	Curic	.....	D12/211
D748,558 S *	2/2016	Hans	.....	D12/211
D749,029 S *	2/2016	Wheel	.....	D12/211
D766,155 S *	9/2016	Wheel	.....	D12/211

D786,159 S *	5/2017	Boyd	.....	D12/211
D793,939 S *	8/2017	Hans	.....	D12/211
D823,222 S *	7/2018	Chung	.....	D12/211
D823,223 S *	7/2018	Sempek	.....	D12/211
D828,267 S *	9/2018	Badstuebner	.....	D12/209
D828,802 S *	9/2018	McMath	.....	D12/211
D833,941 S *	11/2018	Chung	.....	D12/209
D836,052 S *	12/2018	Sempek	.....	D12/209
D836,519 S *	12/2018	Kikuchi	.....	D12/209
D844,529 S *	4/2019	Lemke	.....	D12/209
D853,306 S *	7/2019	Han	.....	D12/211
D860,898 S *	9/2019	Han	.....	D12/209
D867,954 S *	11/2019	Yeh	.....	D12/209
D879,005 S *	3/2020	Zelenak	.....	D12/211
D883,175 S *	5/2020	Metros	.....	D12/211
D885,293 S *	5/2020	Gallert	.....	D12/211
D896,718 S *	9/2020	Valencia Pollex	.....	D12/209
D901,359 S *	11/2020	Liu	.....	D12/209

\* cited by examiner

*Primary Examiner* — Stacia A Cadmus

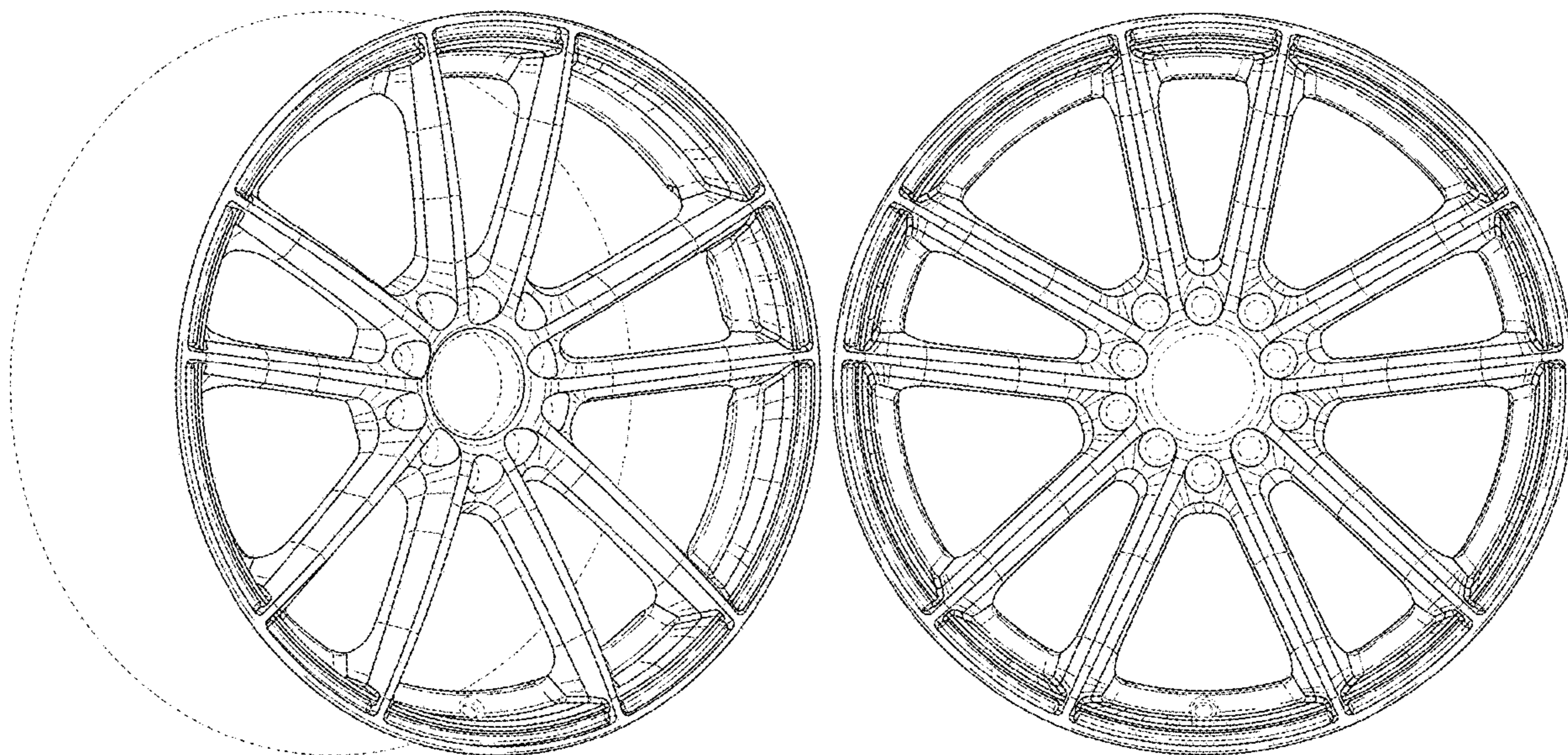
(57) **CLAIM**

The ornamental design for an automotive wheel, as shown and described.

**DESCRIPTION**

FIG. 1 is a perspective view of an automotive wheel, showing my new design; and, FIG. 2 is a front view thereof. In the drawings, the portions of the wheel shown in broken lines form no part of the claimed design.

**1 Claim, 2 Drawing Sheets**





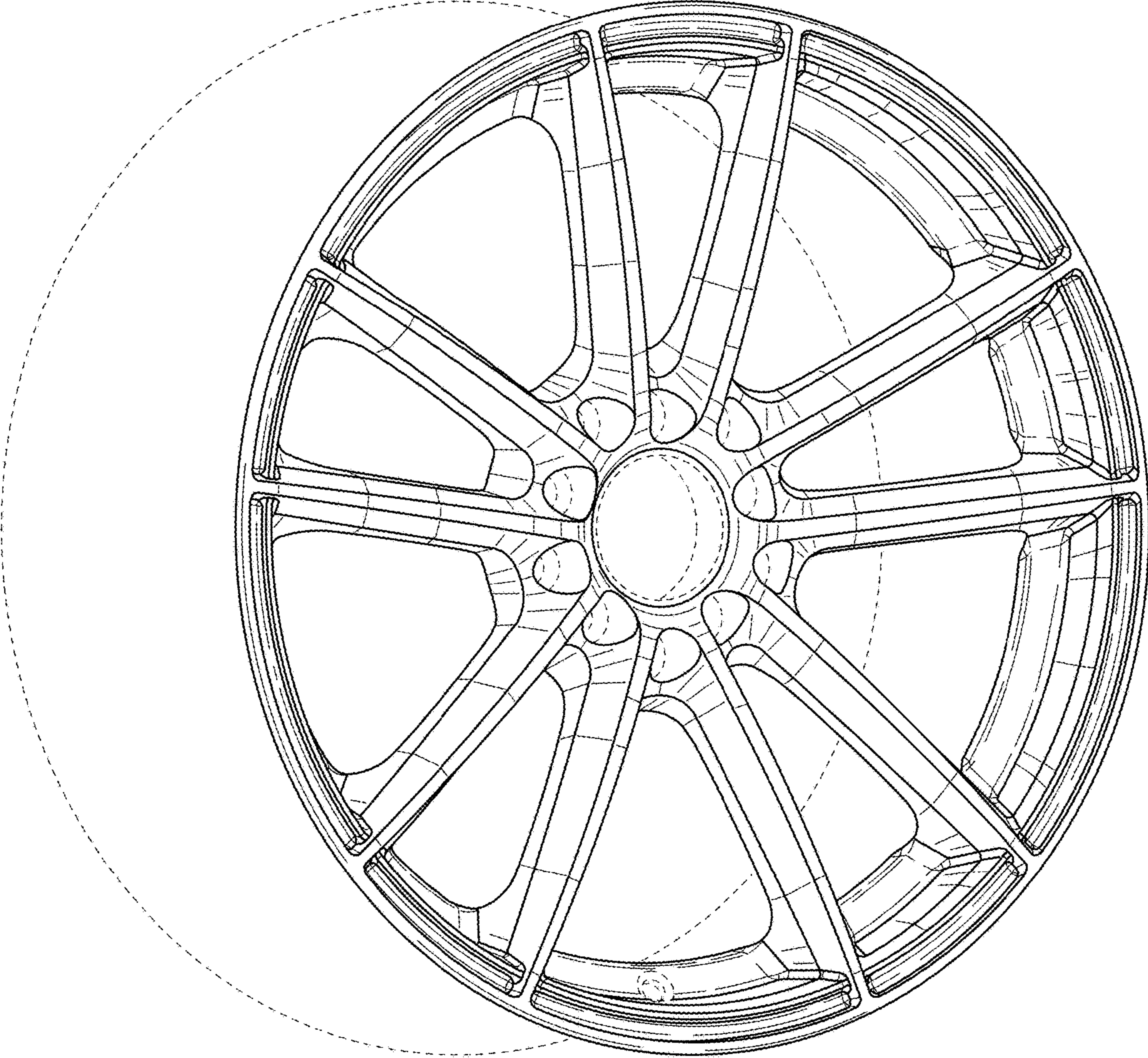


FIGURE 1

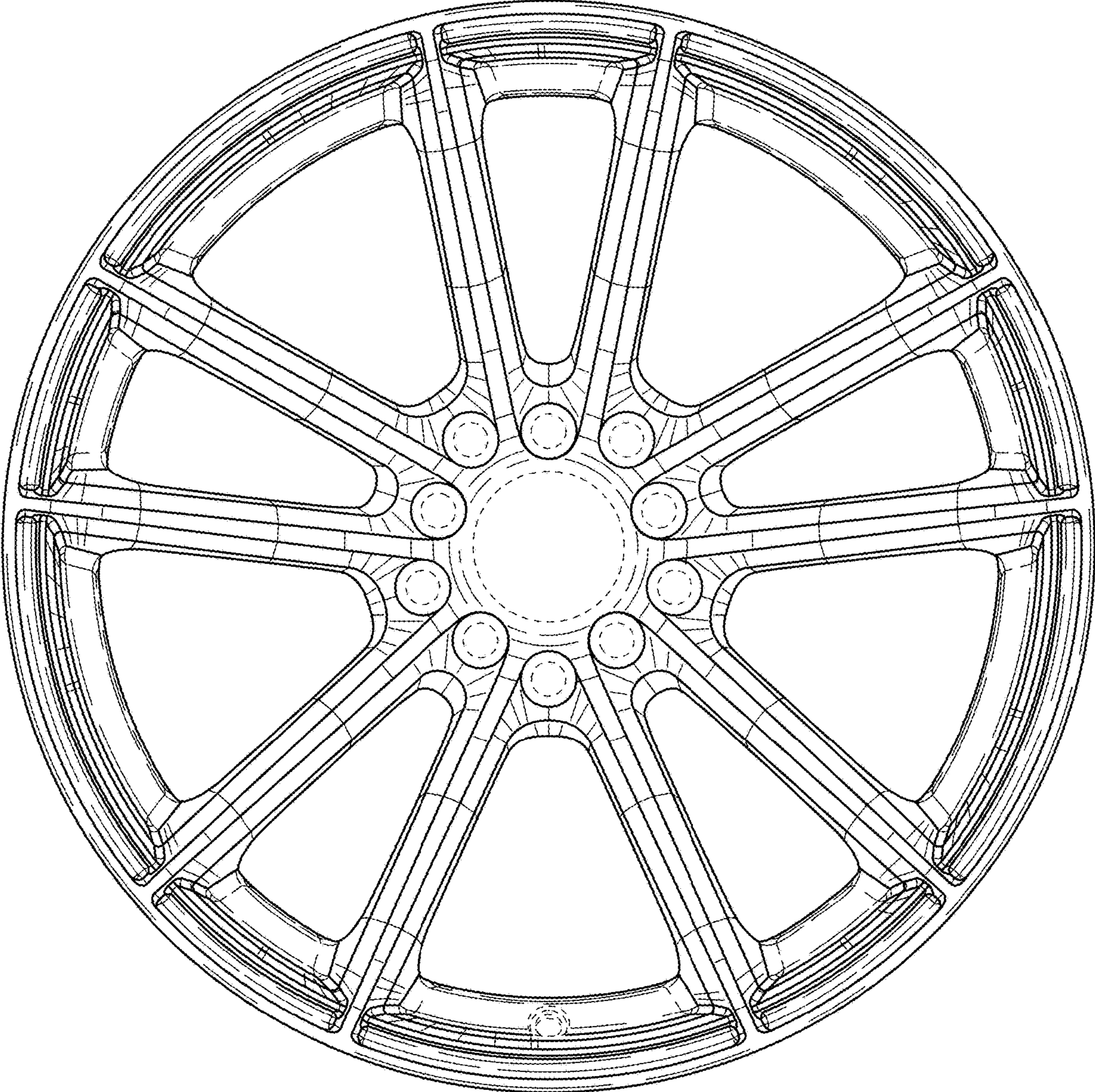


FIGURE 2