

US00D908575S

(12) **United States Design Patent**  
**Wheel**

(10) **Patent No.:** **US D908,575 S**

(45) **Date of Patent:** **\*\* Jan. 26, 2021**

(54) **WHEEL**

(71) Applicant: **Jaguar Land Rover Limited**, Coventry (GB)

(72) Inventor: **Andrew Wheel**, Coventry (GB)

(73) Assignee: **Jaguar Land Rover Limited**, Coventry (GB)

(\*\*) Term: **15 Years**

(21) Appl. No.: **29/691,449**

(22) Filed: **May 16, 2019**

(51) **LOC (13) Cl.** ..... **12-16**

(52) **U.S. Cl.**

USPC ..... **D12/209**

(58) **Field of Classification Search**

USPC ..... D12/204–213; D21/563

CPC .... B60B 7/00; B60B 7/02; B60B 7/04; B60B

7/01; B60B 7/06; B60B 3/02; B60B 3/04;

B60B 3/06; B60B 3/10; B60B 1/00;

B60B 1/08; B60B 1/10; B60B 1/12

See application file for complete search history.

(56) **References Cited**

**U.S. PATENT DOCUMENTS**

D669,833 S	*	10/2012	Pollmann	.....	D12/209
D671,475 S	*	11/2012	Juergens	.....	D12/209
D685,709 S	*	7/2013	Hanaoka	.....	D12/209
D695,187 S	*	12/2013	Mielke	.....	D12/209
D709,427 S	*	7/2014	Clottu	.....	D12/209
D715,209 S	*	10/2014	Tovey	.....	D12/209
D748,553 S	*	2/2016	Miyazawa	.....	D12/209
D754,047 S	*	4/2016	Frascella	.....	D12/209

D774,434 S	*	12/2016	Nakahara	.....	D12/209
D780,083 S	*	2/2017	Wheel	.....	D12/209
D781,763 S	*	3/2017	Webber	.....	D12/209
D805,989 S	*	12/2017	Grewer	.....	D12/209
D819,535 S	*	6/2018	Austin	.....	D12/209
D831,556 S	*	10/2018	Hodges	.....	D12/209
D832,177 S	*	10/2018	Grewer	.....	D12/209
D862,349 S	*	10/2019	Woodhouse	.....	D12/209
D876,306 S	*	2/2020	Battams	.....	D12/209
D878,269 S	*	3/2020	Hoffner	.....	D12/209
D879,694 S	*	3/2020	Wang	.....	D12/209
D880,392 S	*	4/2020	Meng	.....	D12/209
D889,361 S	*	7/2020	Minchella	.....	D12/209

\* cited by examiner

*Primary Examiner* — Stacia A Cadmus

(74) *Attorney, Agent, or Firm* — Wood Herron & Evans LLP

(57) **CLAIM**

The ornamental design for a wheel, as shown and described.

**DESCRIPTION**

FIG. 1 is a front right perspective view of a wheel according to the present invention.

FIG. 2 is a front view of the wheel shown in FIG. 1.

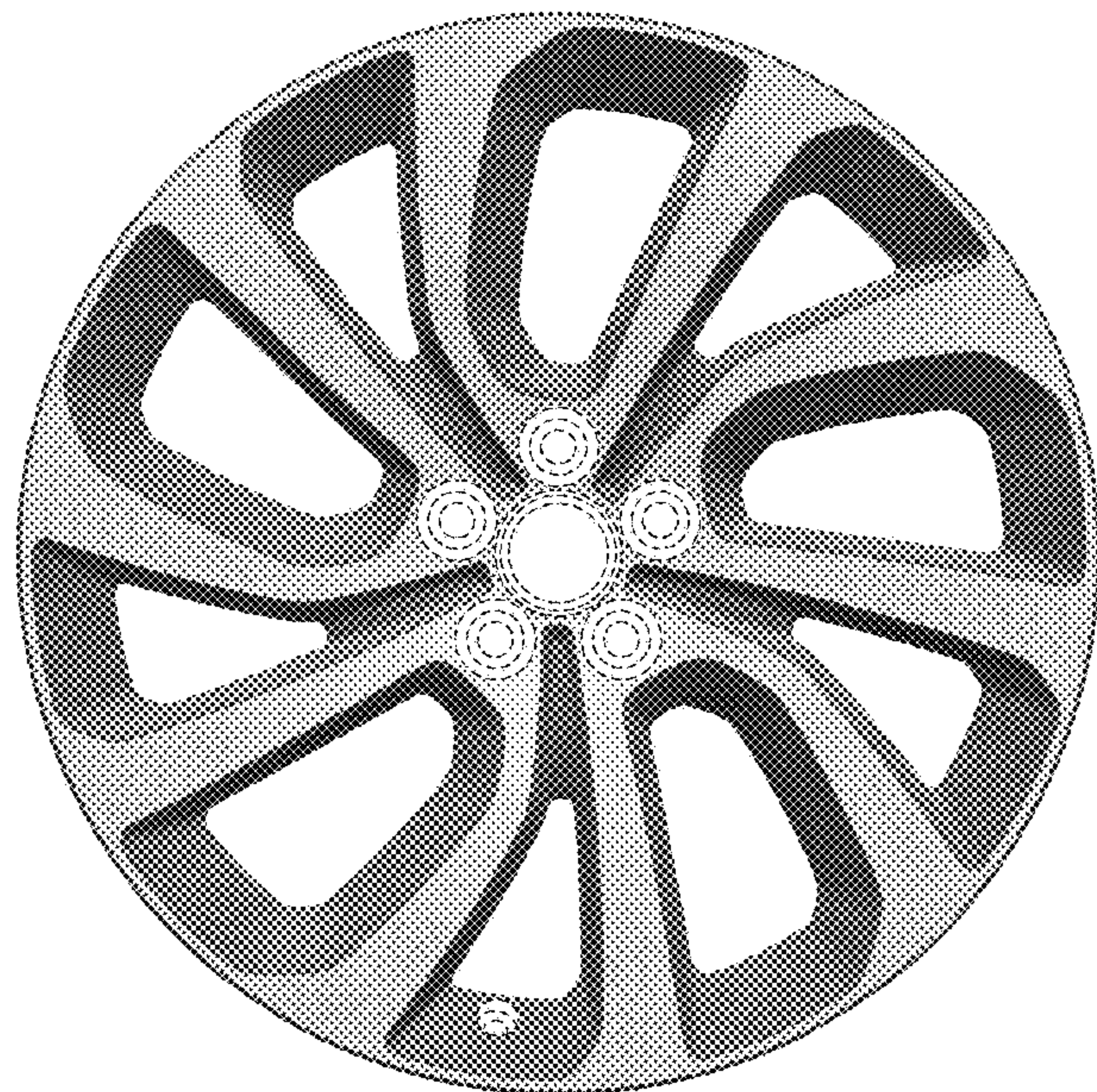
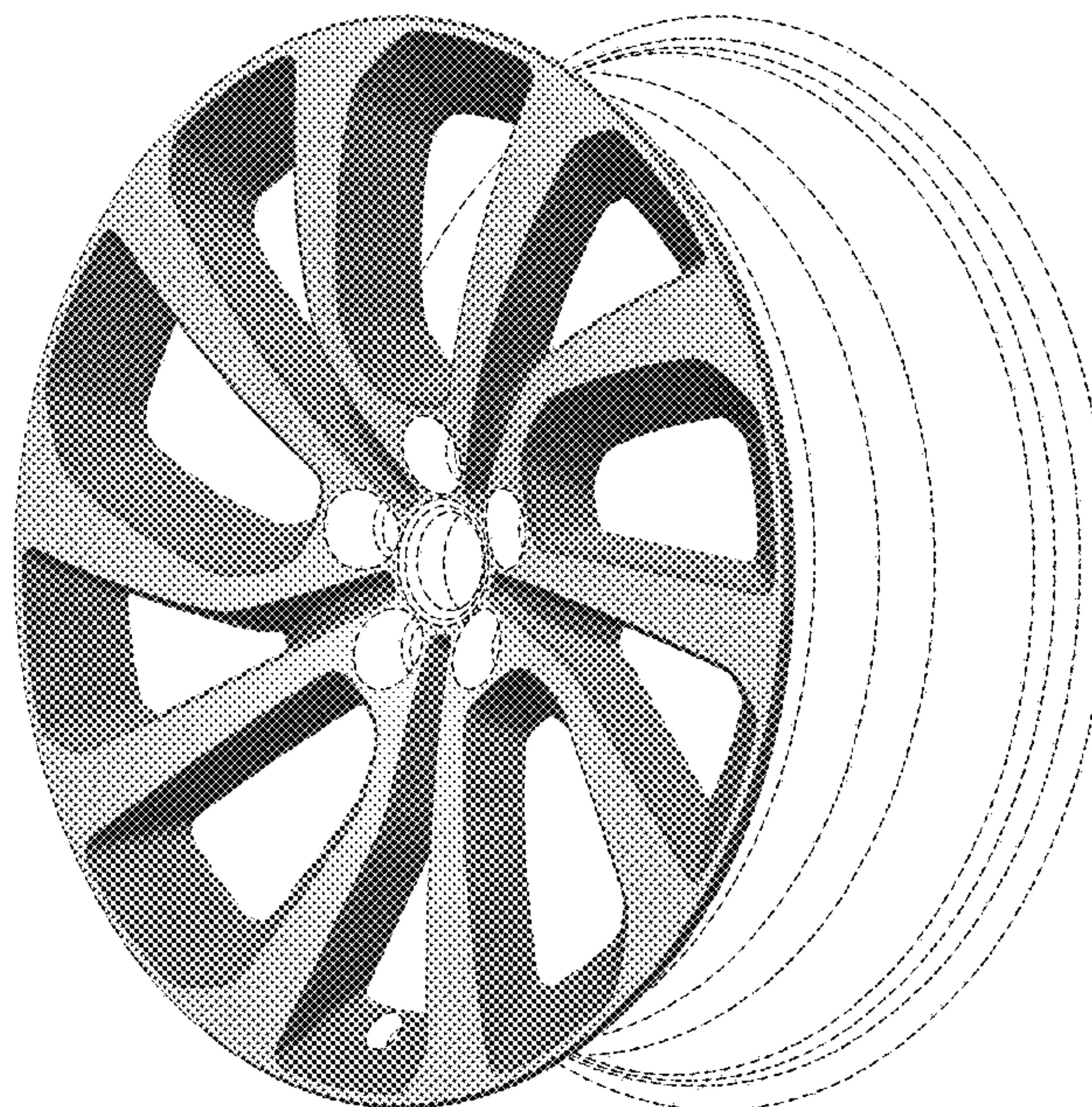
FIG. 3 is a left side view thereof, the right side view being a mirror image thereof.

FIG. 4 is a front right perspective view of a second embodiment of the present invention.

FIG. 5 is a front view of the wheel shown in FIG. 4; and, FIG. 6 is a left side view thereof, the right side view being a mirror image thereof.

The broken lines form no part of the claimed design, but are instead included to show environmental structure.

**1 Claim, 6 Drawing Sheets**





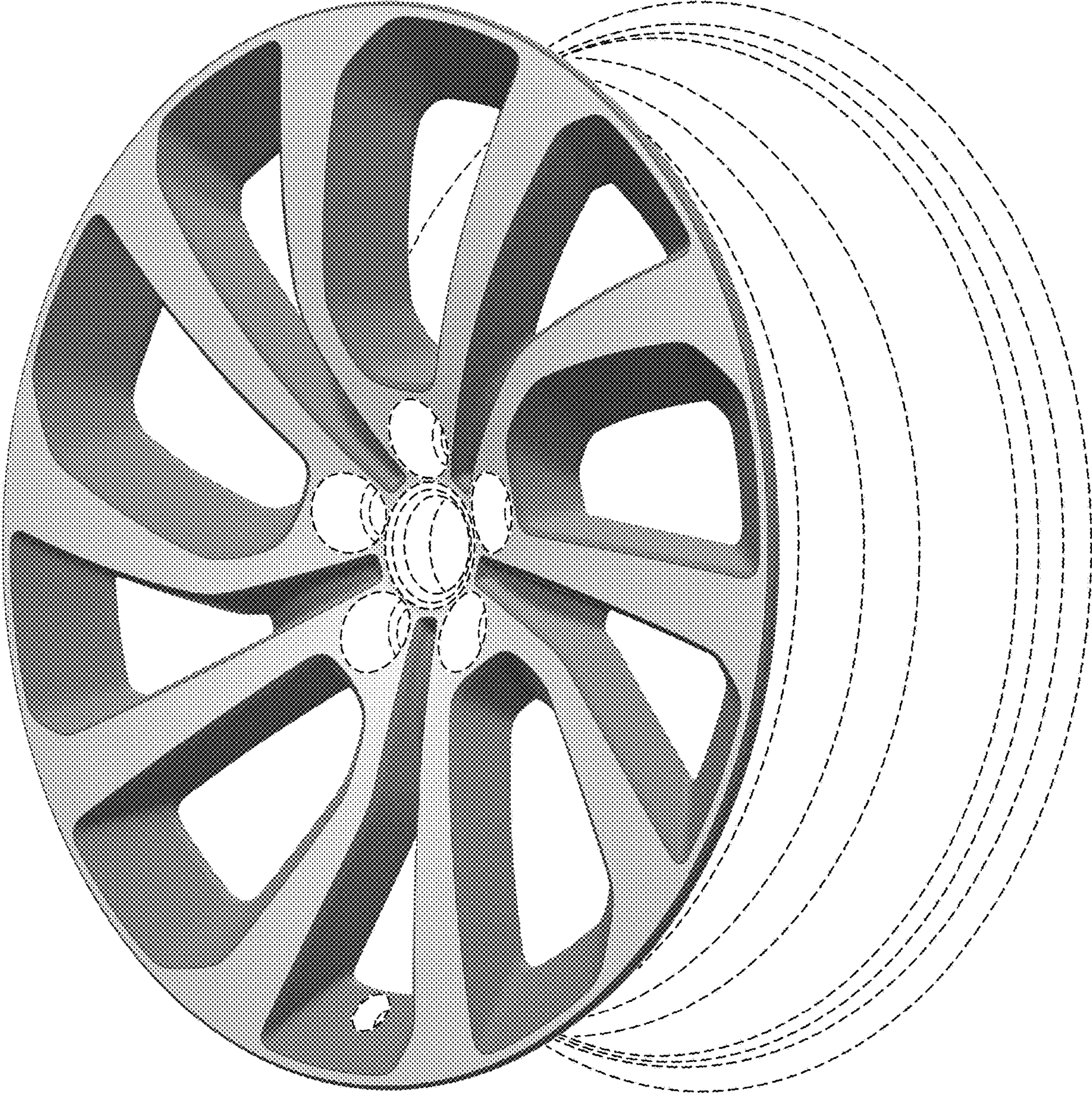


FIG. 1



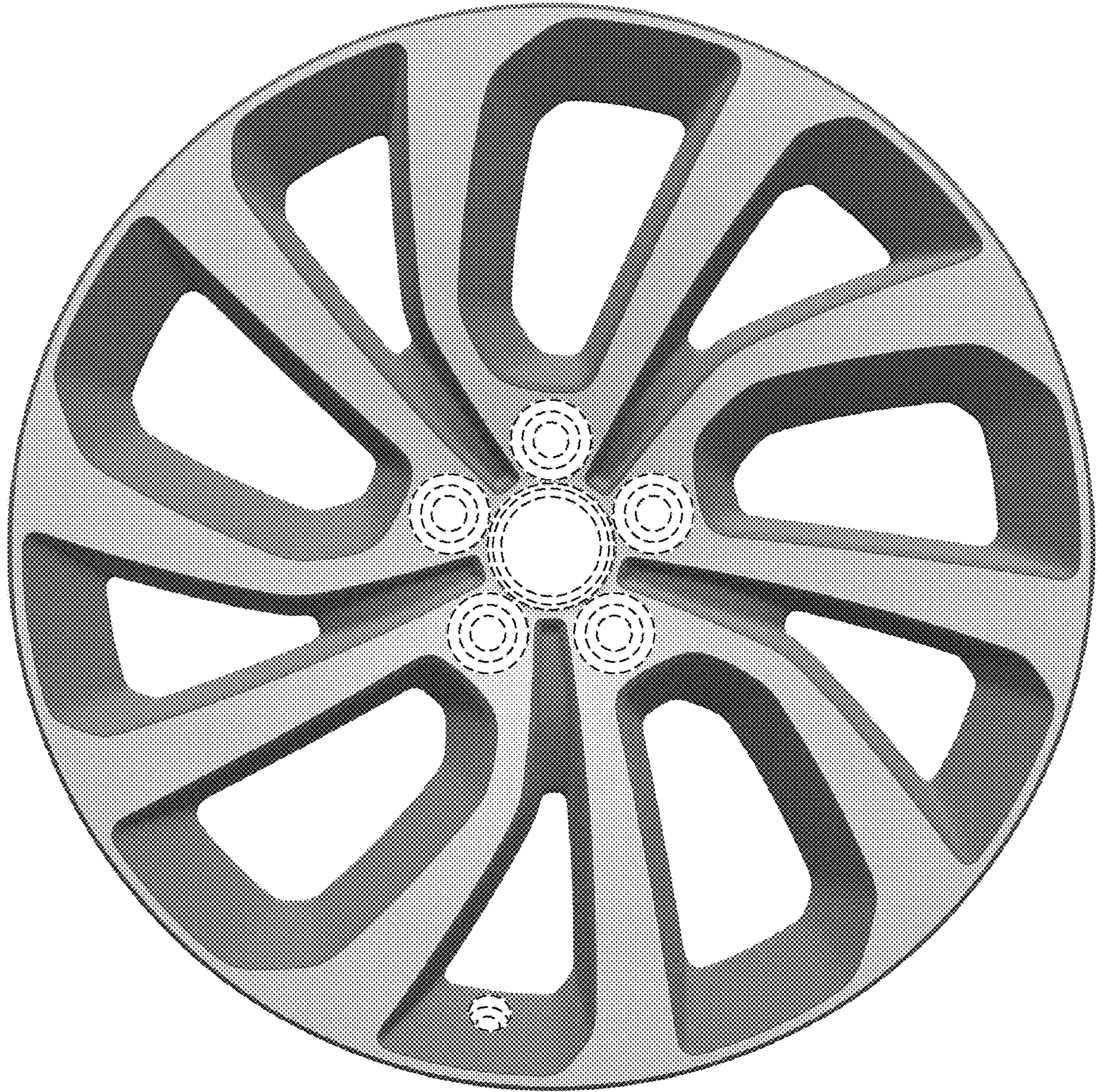


FIG. 2



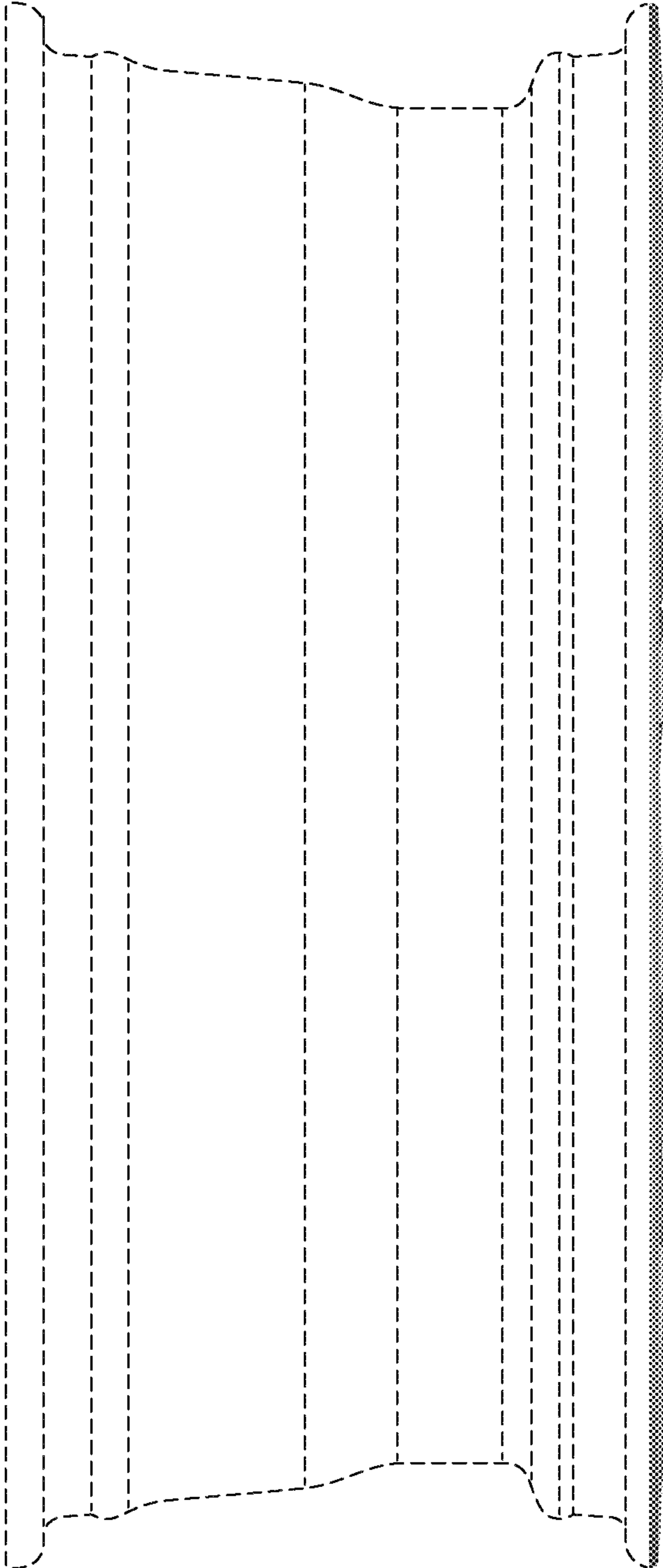


FIG. 3

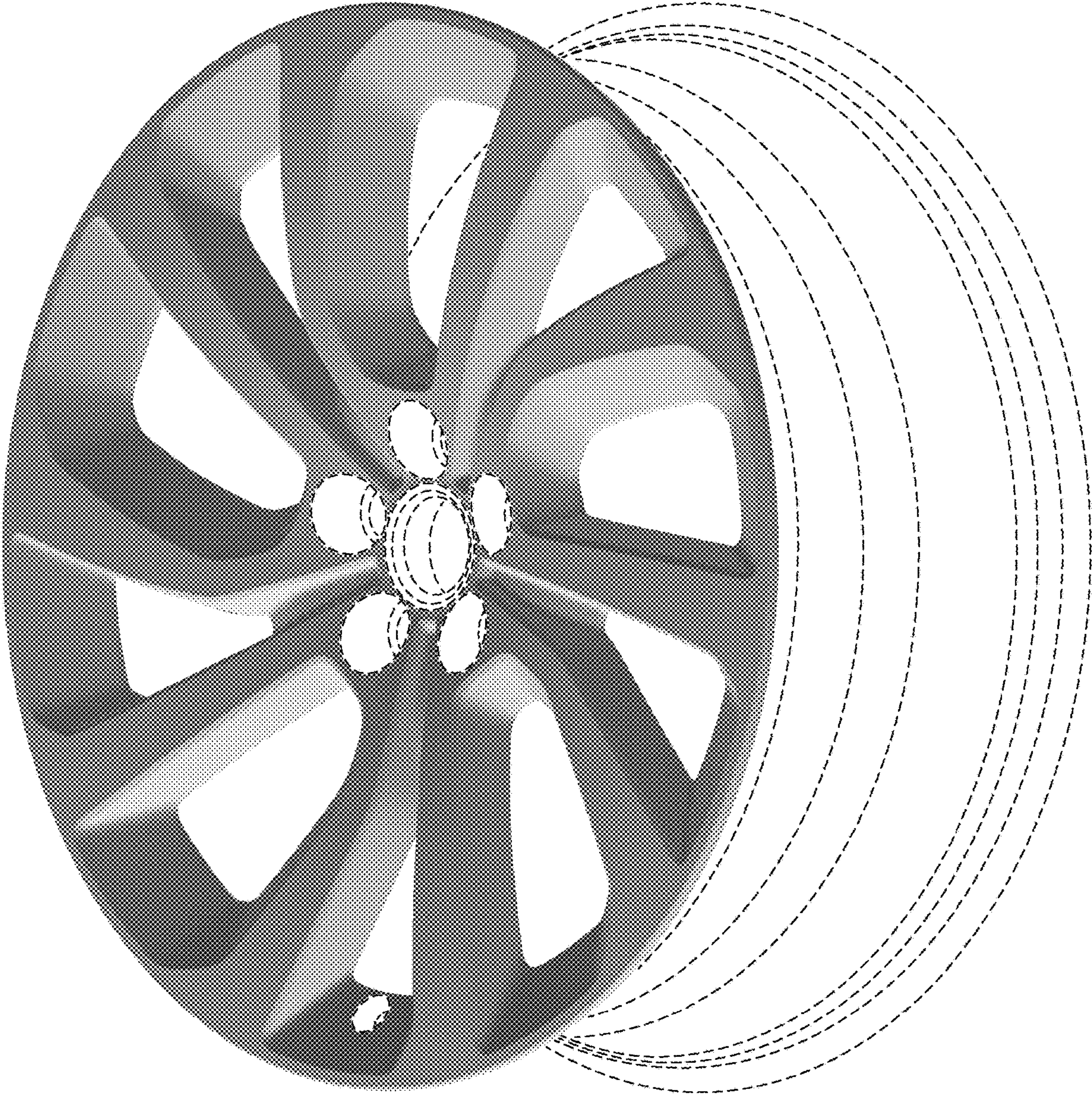


FIG. 4



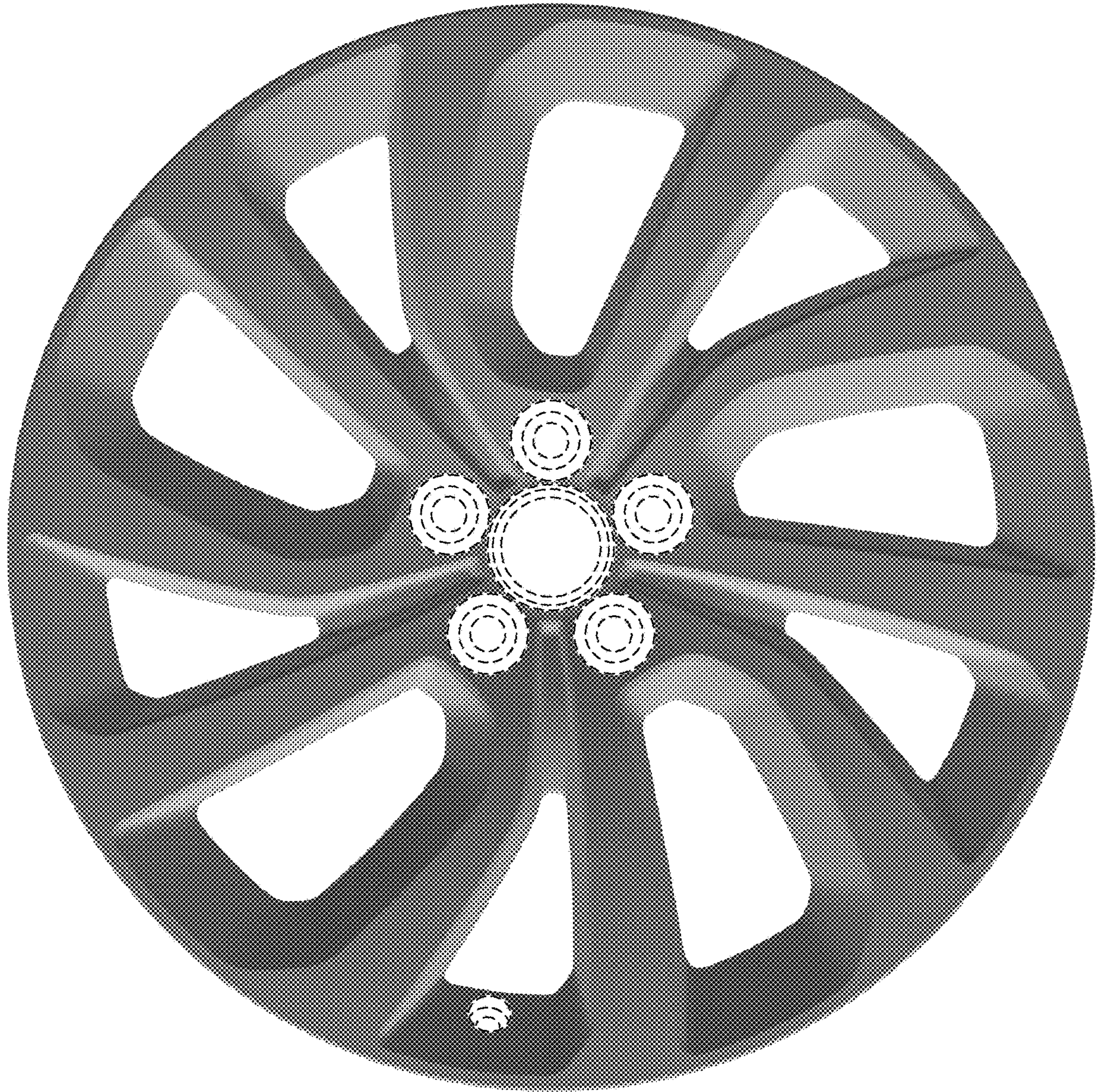


FIG. 5



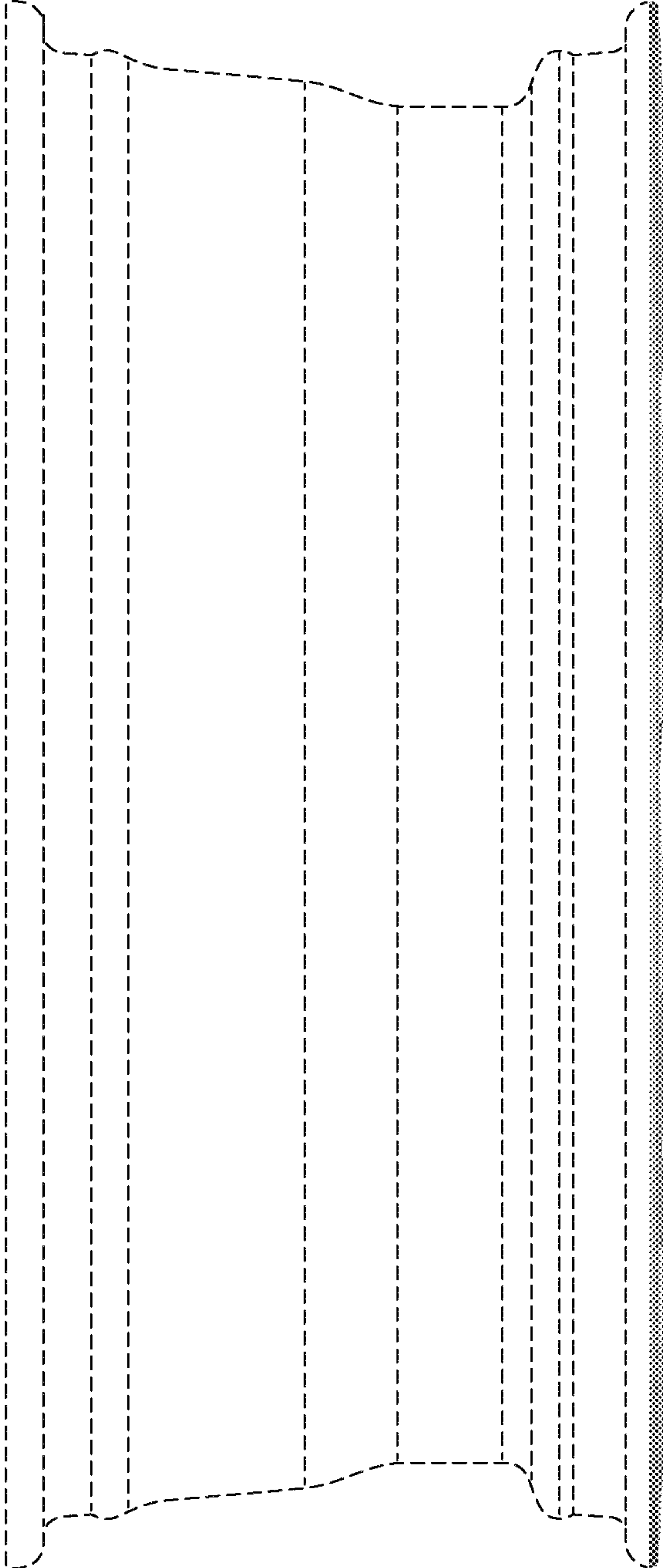


FIG. 6