



US00D908573S

(12) **United States Design Patent** (10) **Patent No.:** **US D908,573 S**
Langhals et al. (45) **Date of Patent:** **** Jan. 26, 2021**

(54) **TAILGATE INNER PANEL**

(56) **References Cited**

(71) Applicants: **Taylor A. Langhals**, Waterford, MI (US); **Brian H. Nielander**, Royal Oak, MI (US); **Mark T. Allen**, Oxford, MI (US)

U.S. PATENT DOCUMENTS

D527,697	S *	9/2006	Metros	D12/196
D613,225	S *	4/2010	Wu	D12/196
D684,515	S *	6/2013	Oliver	D12/196
D710,777	S *	8/2014	Platto	D12/196
D750,002	S *	2/2016	Sato	D12/196
D758,271	S *	6/2016	McMahan	D12/196
10,214,250	B2 *	2/2019	Hemphill	B62D 33/0273
10,272,003	B2 *	4/2019	Zindler	B62D 33/037
10,300,777	B2 *	5/2019	Marchlewski	B60J 10/86
10,300,964	B2 *	5/2019	Gray	B62D 33/0273
10,308,292	B1 *	6/2019	Shedden	B60N 3/001

(72) Inventors: **Taylor A. Langhals**, Waterford, MI (US); **Brian H. Nielander**, Royal Oak, MI (US); **Mark T. Allen**, Oxford, MI (US)

(73) Assignee: **FCA US LLC**, Auburn Hills, MI (US)

* cited by examiner

(**) Term: **15 Years**

Primary Examiner — Susan Bennett Hattan

Assistant Examiner — Suzanne E Tisdell

(21) Appl. No.: **29/737,284**

(74) *Attorney, Agent, or Firm* — Ralph E. Smith

(22) Filed: **Jun. 8, 2020**

(57) **CLAIM**

The ornamental design for a tailgate inner panel, as shown and described.

Related U.S. Application Data

DESCRIPTION

(63) Continuation-in-part of application No. 29/670,328, filed on Nov. 15, 2018, now Pat. No. Des. 887,899.

FIG. 1 is a front perspective view of a tailgate inner panel showing our new design;

(51) **LOC (13) Cl.** **12-16**

FIG. 2 is a front view thereof;

(52) **U.S. Cl.**

FIG. 3 is a rear view thereof;

USPC **D12/196**

FIG. 4 is a top view thereof;

(58) **Field of Classification Search**

FIG. 5 is a bottom view thereof;

USPC D12/190, 193, 195, 196, 414

FIG. 6 is a side view thereof; and,

CPC E05B 81/56; E05B 81/80; E05B 65/00;

FIG. 7 is an opposite side view thereof.

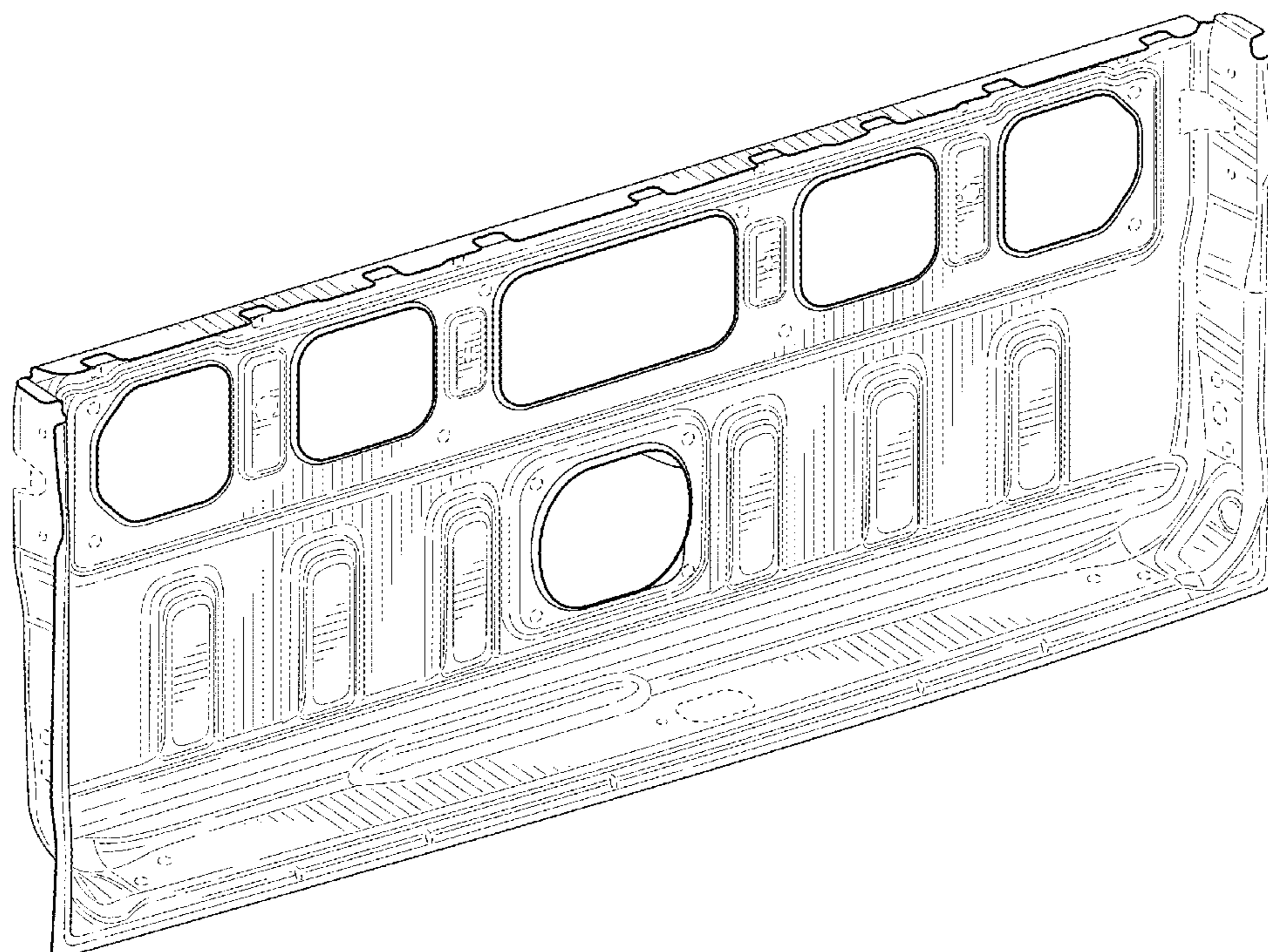
E05B 65/06; E05B 65/10; E05B 65/12;

It will be understood that the broken lines shown in the drawings illustrate portions of the tailgate inner panel that form no part of the claimed design.

E05B 79/06; B60J 5/04

See application file for complete search history.

1 Claim, 5 Drawing Sheets



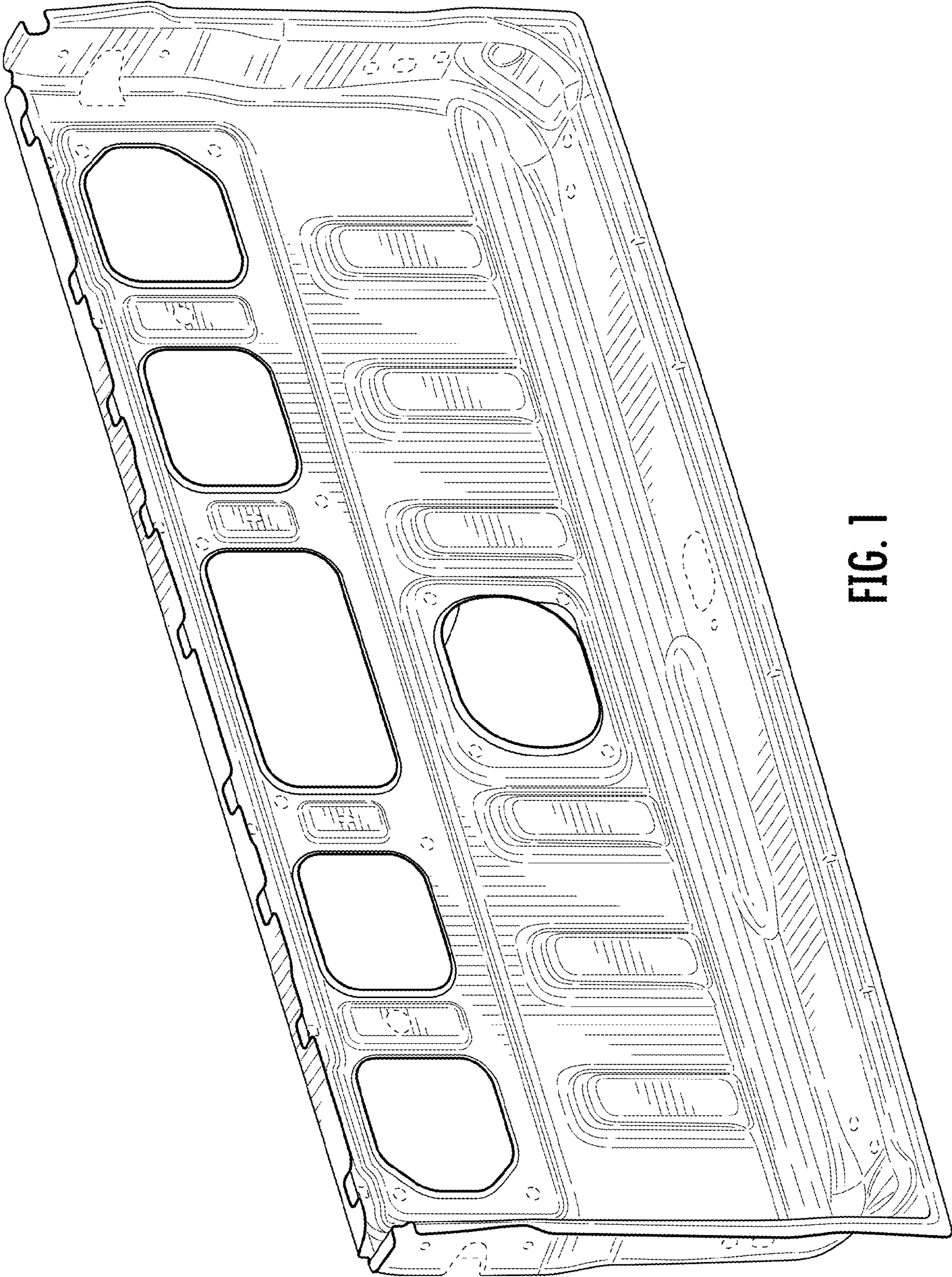


FIG. 1

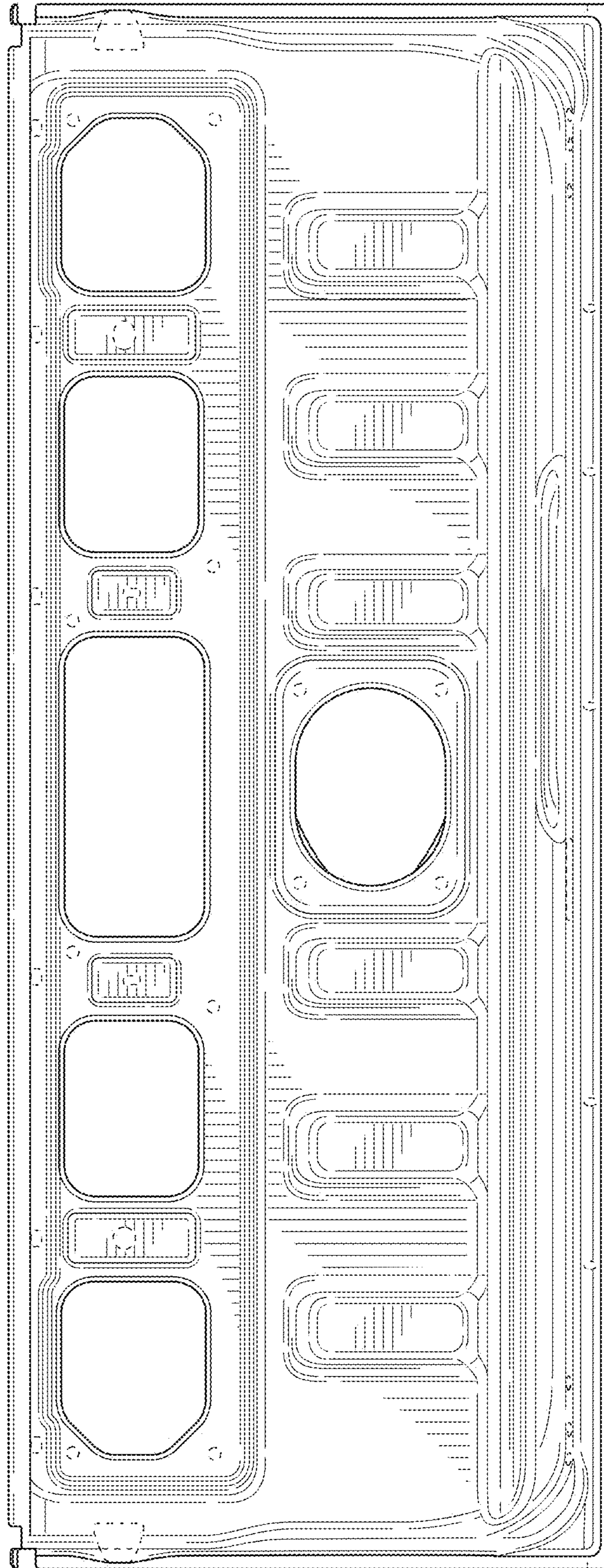


FIG. 2

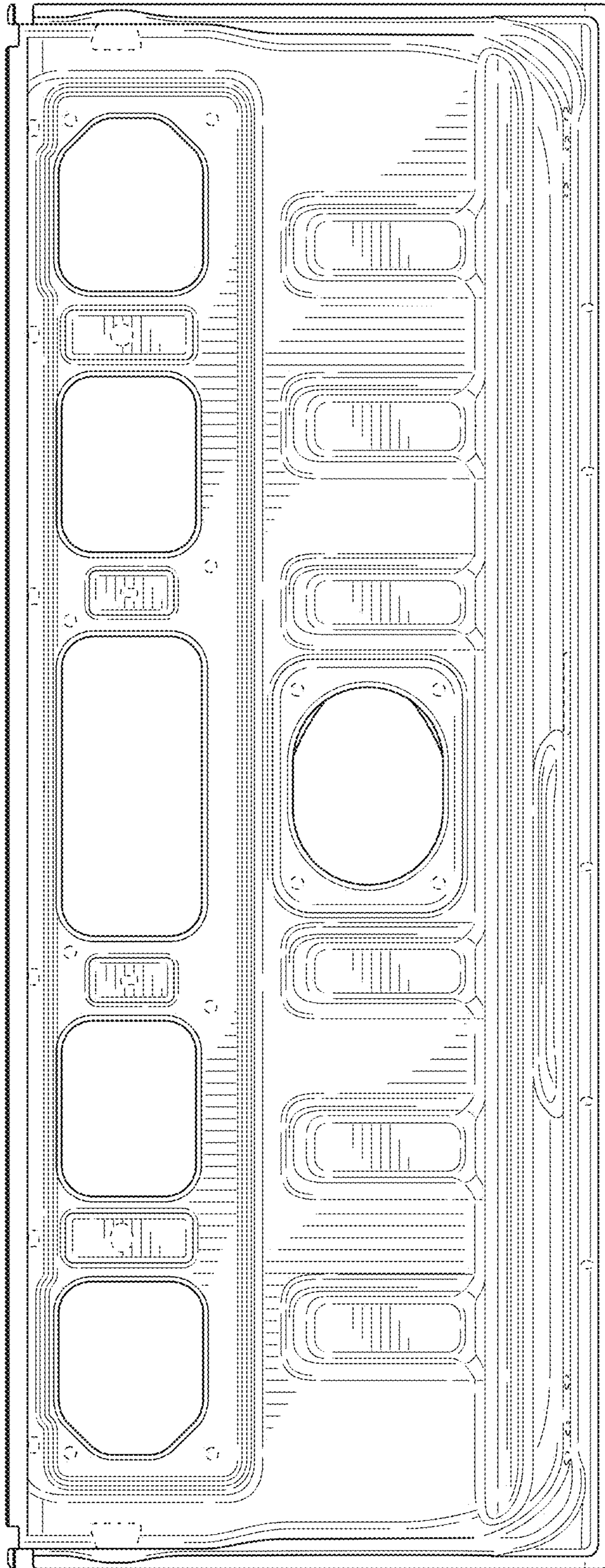


FIG. 3

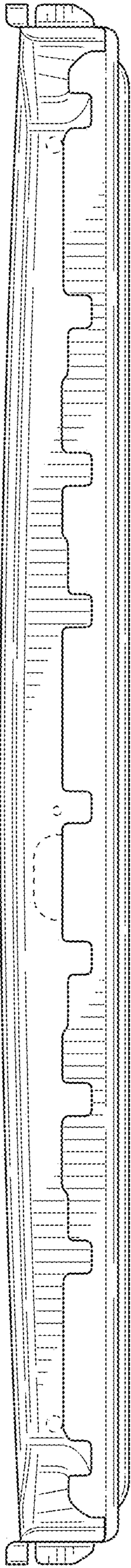


FIG. 4

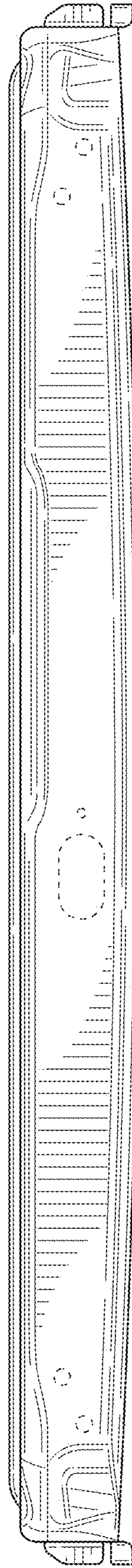


FIG. 5

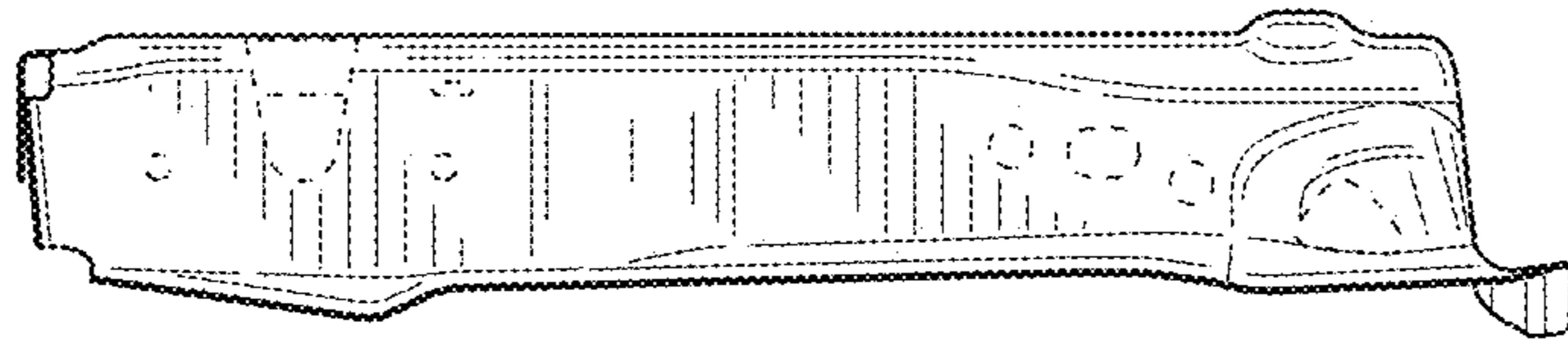


FIG. 7

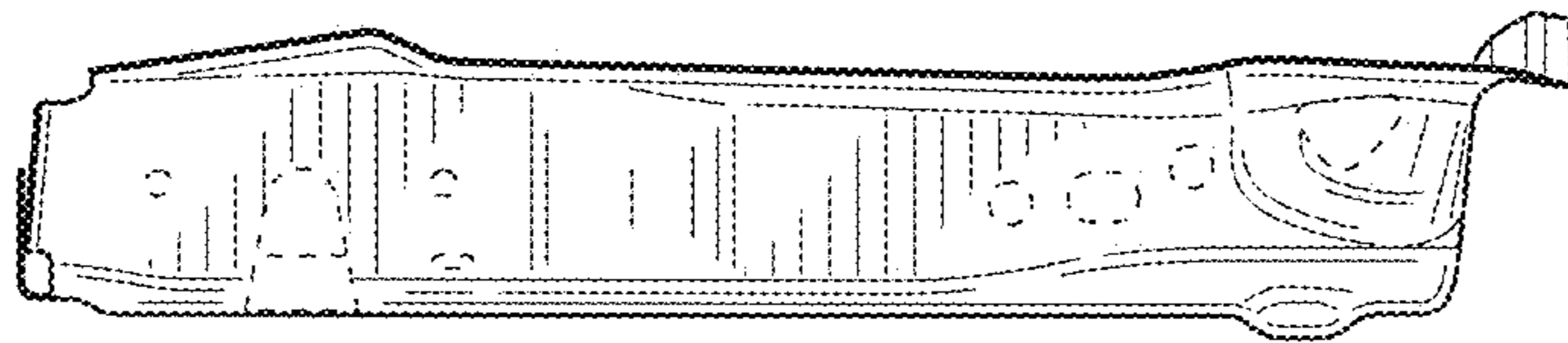


FIG. 6