



US00D908572S

(12) **United States Design Patent** (10) **Patent No.:** **US D908,572 S**
Langhals et al. (45) **Date of Patent:** **** Jan. 26, 2021**

(54) **TAILGATE OUTER PANEL**

(56) **References Cited**

(71) Applicants: **Taylor A. Langhals**, Waterford, MI (US); **Brian H. Nielander**, Royal Oak, MI (US); **Mark T. Allen**, Oxford, MI (US)

U.S. PATENT DOCUMENTS

D527,697	S	*	9/2006	Metros	D12/196
D613,225	S	*	4/2010	Wu	D12/196
D684,515	S	*	6/2013	Oliver	D12/196
D710,777	S	*	8/2014	Platto	D12/196
D750,002	S	*	2/2016	Sato	D12/196
D758,271	S	*	6/2016	McMahan	D12/196
10,214,250	B2	*	2/2019	Hemphill	B62D 33/0273
10,272,003	B2	*	4/2019	Zindler	B62D 33/037
10,300,777	B2	*	5/2019	Marchlewski	B60J 10/86
10,300,964	B2	*	5/2019	Gray	B62D 33/0273
10,308,292	B1	*	6/2019	Shedden	B60N 3/001

(72) Inventors: **Taylor A. Langhals**, Waterford, MI (US); **Brian H. Nielander**, Royal Oak, MI (US); **Mark T. Allen**, Oxford, MI (US)

(73) Assignee: **FCA US LLC**, Auburn Hills, MI (US)

* cited by examiner

(**) Term: **15 Years**

Primary Examiner — Susan Bennett Hattan

Assistant Examiner — Suzanne E Tisdell

(21) Appl. No.: **29/737,281**

(74) *Attorney, Agent, or Firm* — Ralph E. Smith

(22) Filed: **Jun. 8, 2020**

(57) **CLAIM**

The ornamental design for a tailgate outer panel, as shown and described.

Related U.S. Application Data

DESCRIPTION

(63) Continuation-in-part of application No. 29/670,328, filed on Nov. 15, 2018, now Pat. No. Des. 887,899.

(51) **LOC (13) Cl.** **12-16**

(52) **U.S. Cl.**
USPC **D12/196**

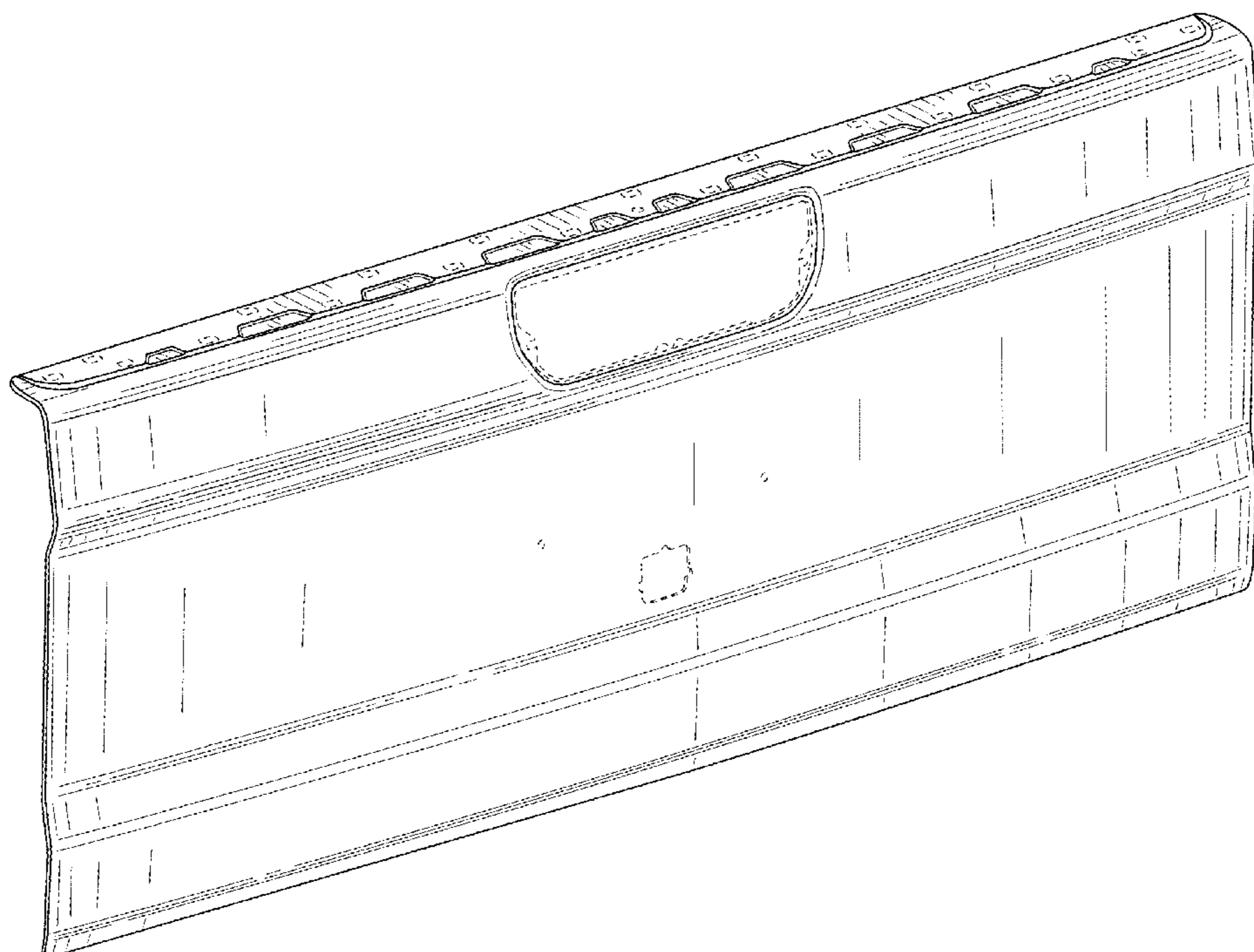
(58) **Field of Classification Search**
USPC D12/190, 193, 195, 196, 414
CPC E05B 81/56; E05B 81/80; E05B 65/00;
E05B 65/06; E05B 65/10; E05B 65/12;
E05B 79/06; B60J 5/04

FIG. 1 is a front perspective view of a tailgate outer panel showing our new design;
FIG. 2 is a front view thereof;
FIG. 3 is a rear view thereof;
FIG. 4 is a side view thereof;
FIG. 5 is an opposite side view thereof;
FIG. 6 is a top view thereof; and,
FIG. 7 is a bottom view thereof.

It will be understood that the broken lines shown in the drawings illustrate portions of the tailgate outer panel that form no part of the claimed design.

See application file for complete search history.

1 Claim, 5 Drawing Sheets



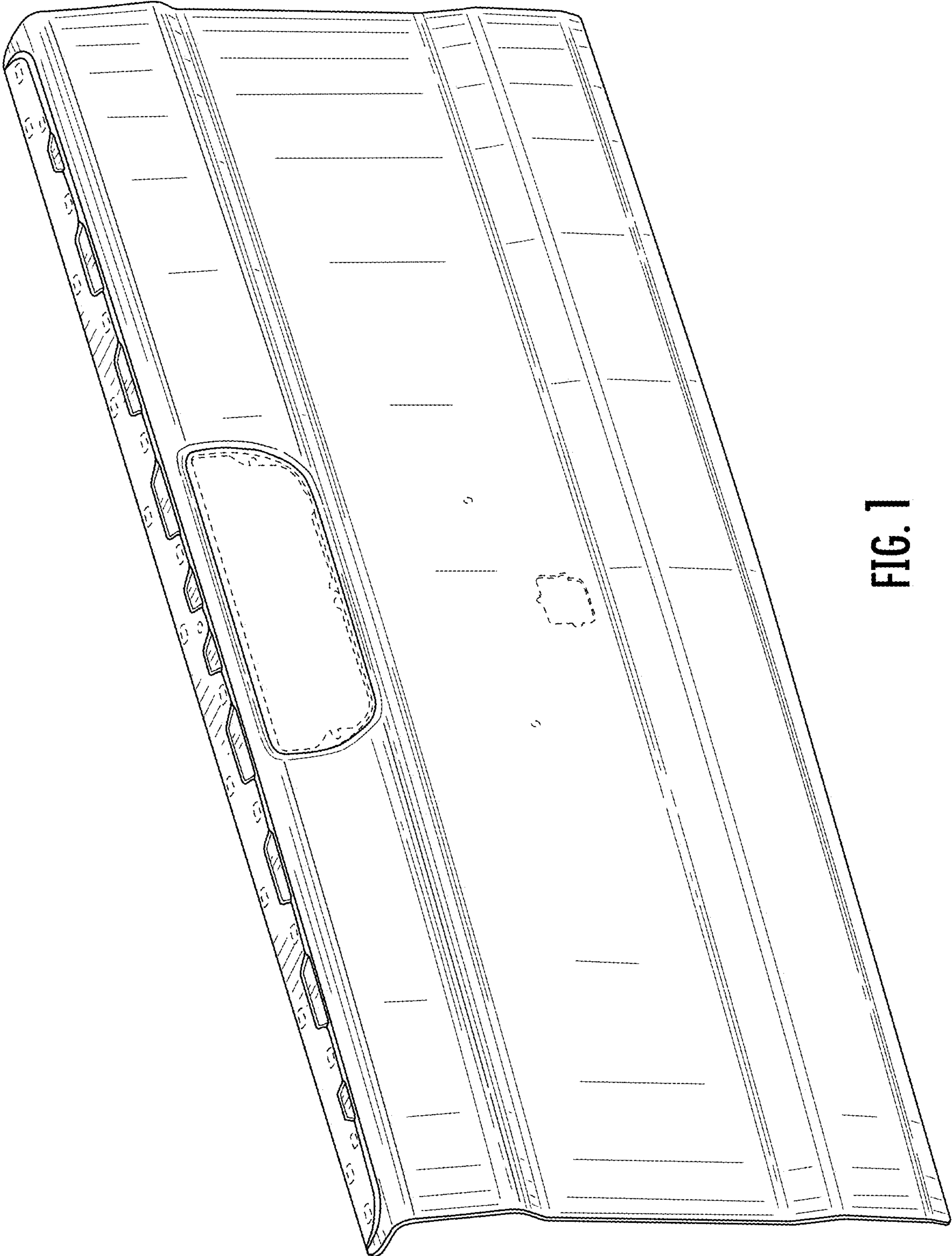


FIG. 1

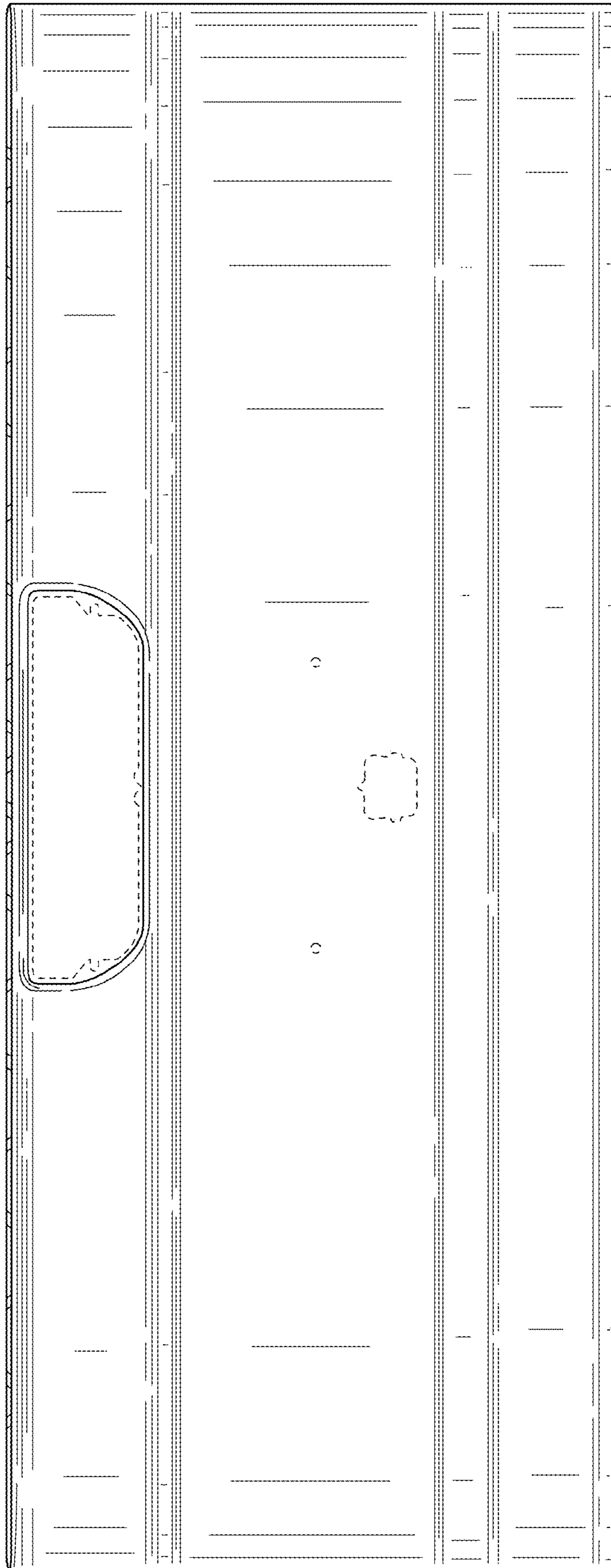


FIG. 2

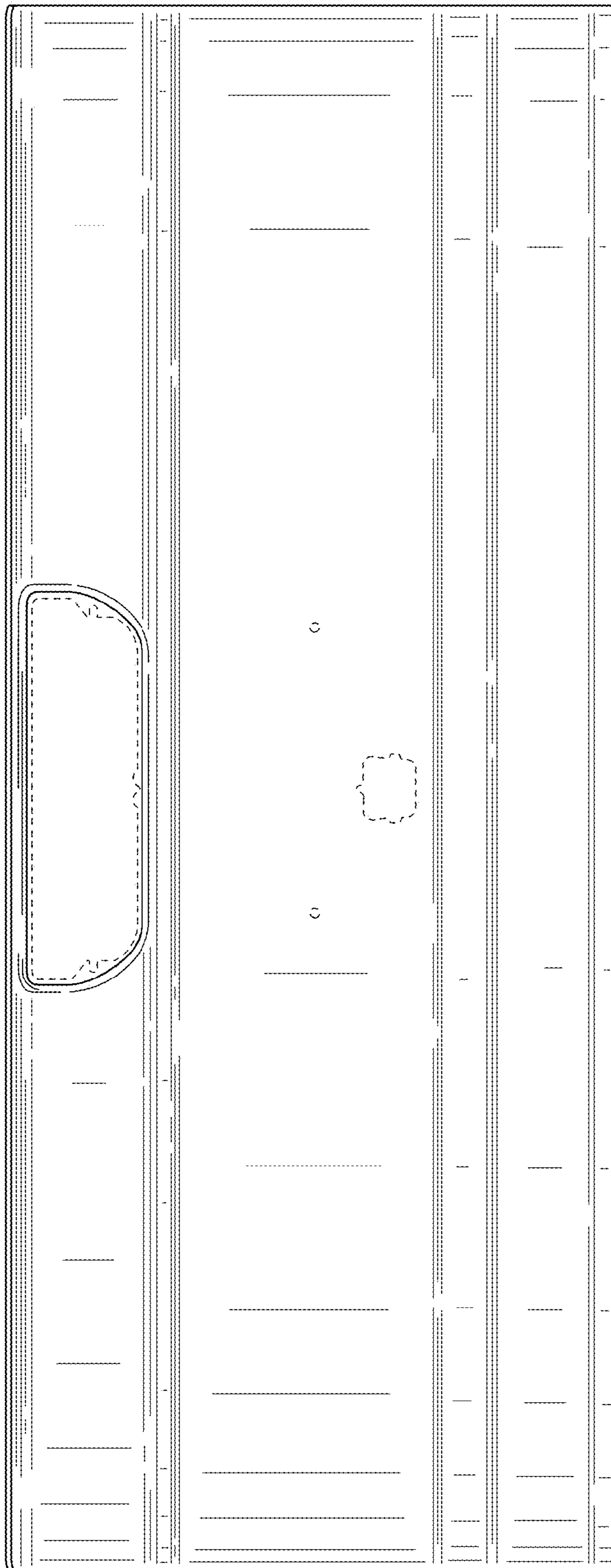


FIG. 3

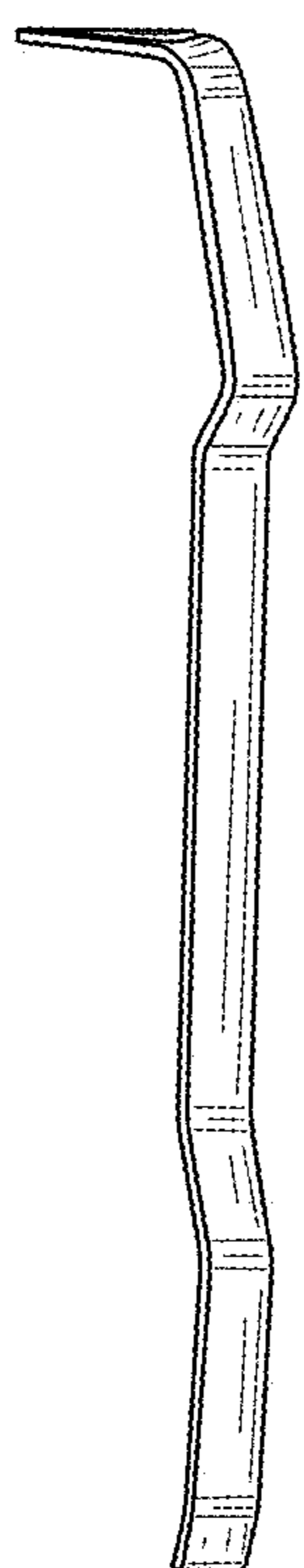


FIG. 4

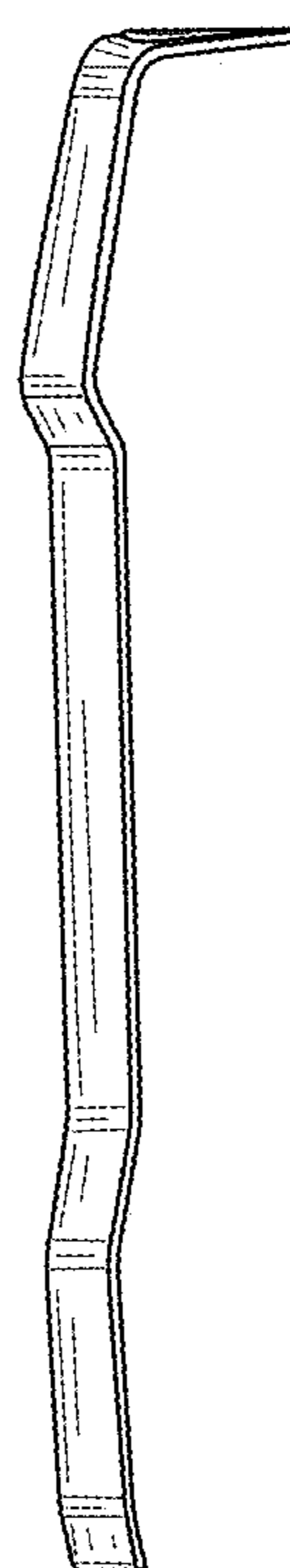


FIG. 5

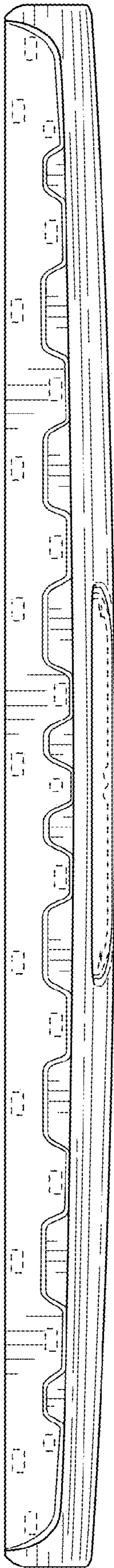


FIG. 6

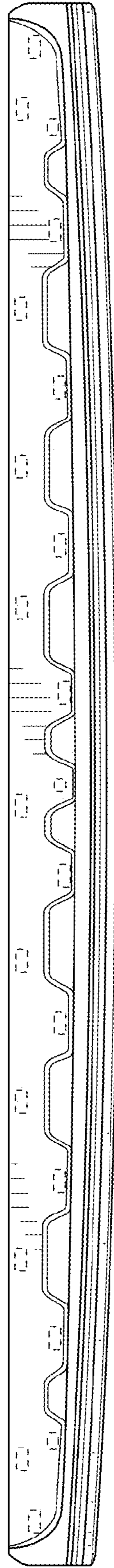


FIG. 7