



US00D908569S

(12) **United States Design Patent**
Bernal et al.

(10) **Patent No.:** **US D908,569 S**

(45) **Date of Patent:** **** Jan. 26, 2021**

(54) **INSTRUMENT PANEL**

(71) Applicant: **POLESTAR PERFORMANCE AB,**
Gothenburg (SE)

(72) Inventors: **Juan Pablo Bernal,** Gothenburg (SE);
Lisa Reeves, Torslanda (SE)

(73) Assignee: **POLESTAR PERFORMANCE AB,**
Gothenburg (SE)

(**) Term: **15 Years**

(21) Appl. No.: **29/690,101**

(22) Filed: **May 6, 2019**

(30) **Foreign Application Priority Data**

Nov. 6, 2018 (EM) 005818275-0007

(51) **LOC (13) Cl.** **12-16**

(52) **U.S. Cl.**
USPC **D12/192**

(58) **Field of Classification Search**
USPC D12/192, 415, 114, 345; D15/17, 28;
D10/46, 98, 102, 103, 122-127; D23/324
CPC ... B60R 21/045; B60R 11/0235; B60K 35/00;
B60K 37/04; B60H 1/34; B60H 1/3407;
B60H 1/3414; B60H 1/3421; B60H
1/3428; B60H 1/3435; B60H 1/3442;
B60H 1/345; B60H 1/3457; H05K
5/0017; B62D 25/14
See application file for complete search history.

(56) **References Cited**

U.S. PATENT DOCUMENTS

D480,671 S * 10/2003 Pfeiffer D12/192
7,201,420 B2 * 4/2007 Vican B60R 11/0235
296/37.12

D825,420 S * 8/2018 Boyes D12/192
D826,122 S * 8/2018 Yamamoto D12/192
D843,288 S * 3/2019 Fontaeus D12/192
D847,054 S * 4/2019 Yamada D12/192
D847,057 S * 4/2019 Kono D12/192
D849,622 S * 5/2019 Woodhouse D12/192
D853,919 S * 7/2019 Hazumi D12/192
D864,817 S * 10/2019 Donfrancesco D12/192
D867,948 S * 11/2019 Engelmann D12/192
D874,371 S * 2/2020 Buffery D12/192
D877,012 S * 3/2020 Ali D12/192
10,583,739 B2 * 3/2020 Yoshimura B62D 25/14
2017/0282812 A1 * 10/2017 Yoshimura H05K 5/0017

* cited by examiner

Primary Examiner — Susan E Krakower

Assistant Examiner — Jerry Shiuhan-Hua Hsu

(74) *Attorney, Agent, or Firm* — Berenato & White, LLC

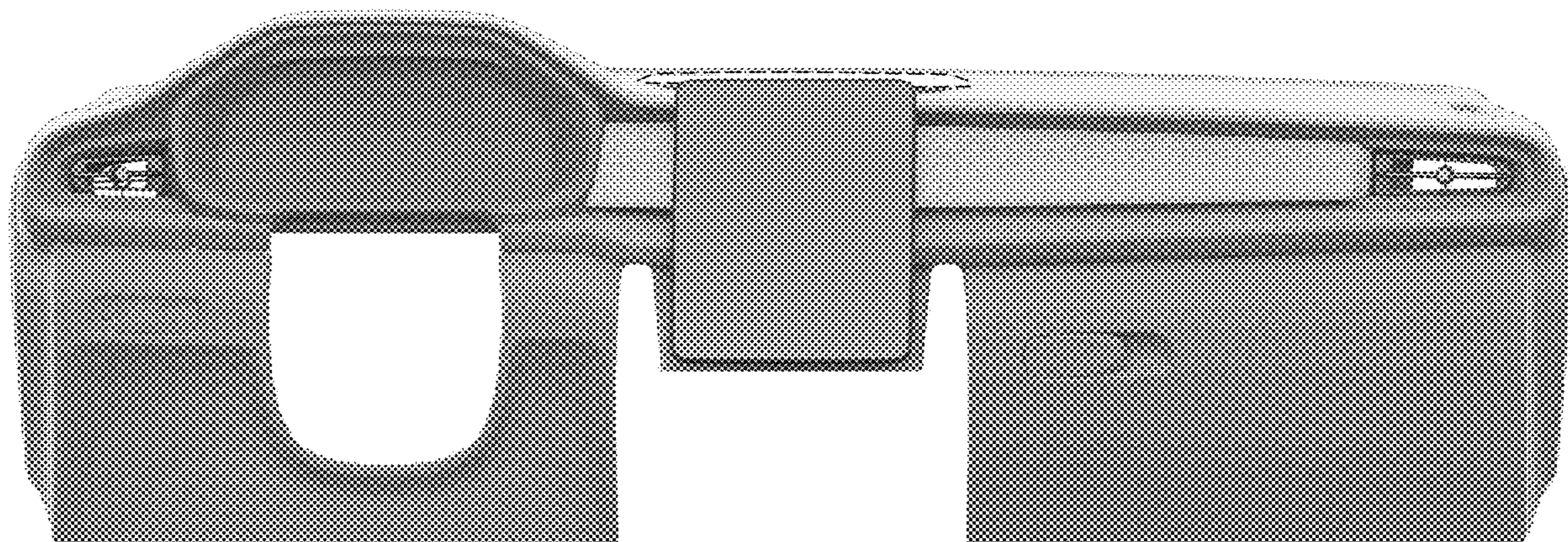
(57) **CLAIM**

The ornamental design for an instrument panel, as shown and described.

DESCRIPTION

FIG. 1 is a front view of an instrument panel showing our new design;
FIG. 2 is a left perspective view thereof;
FIG. 3 is a right side view thereof, enlarged for ease of illustration;
FIG. 4 is a left side view thereof, enlarged for ease of illustration;
FIG. 5 is a right rear side perspective view thereof, illustrated at a reduced scale;
FIG. 6 is a rear side view thereof; and,
FIG. 7 is a top view thereof.
The broken lines illustrate portions of the instrument panel that form no part of the claimed design.

1 Claim, 7 Drawing Sheets



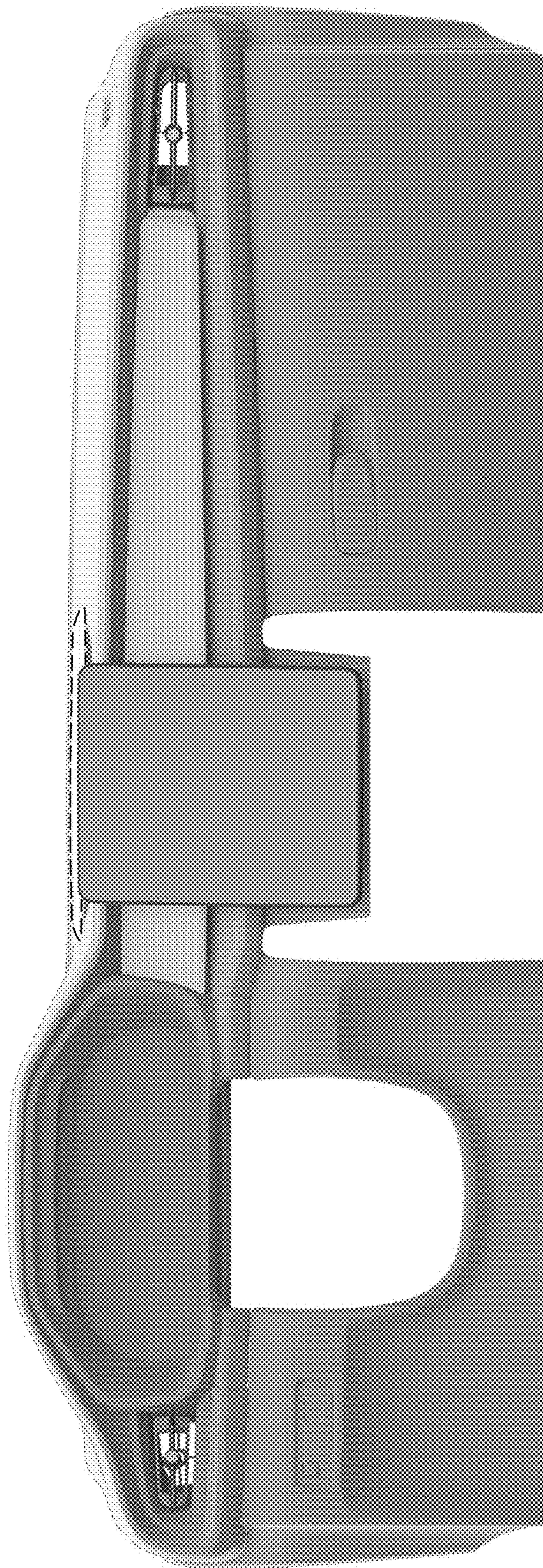


FIG. 1

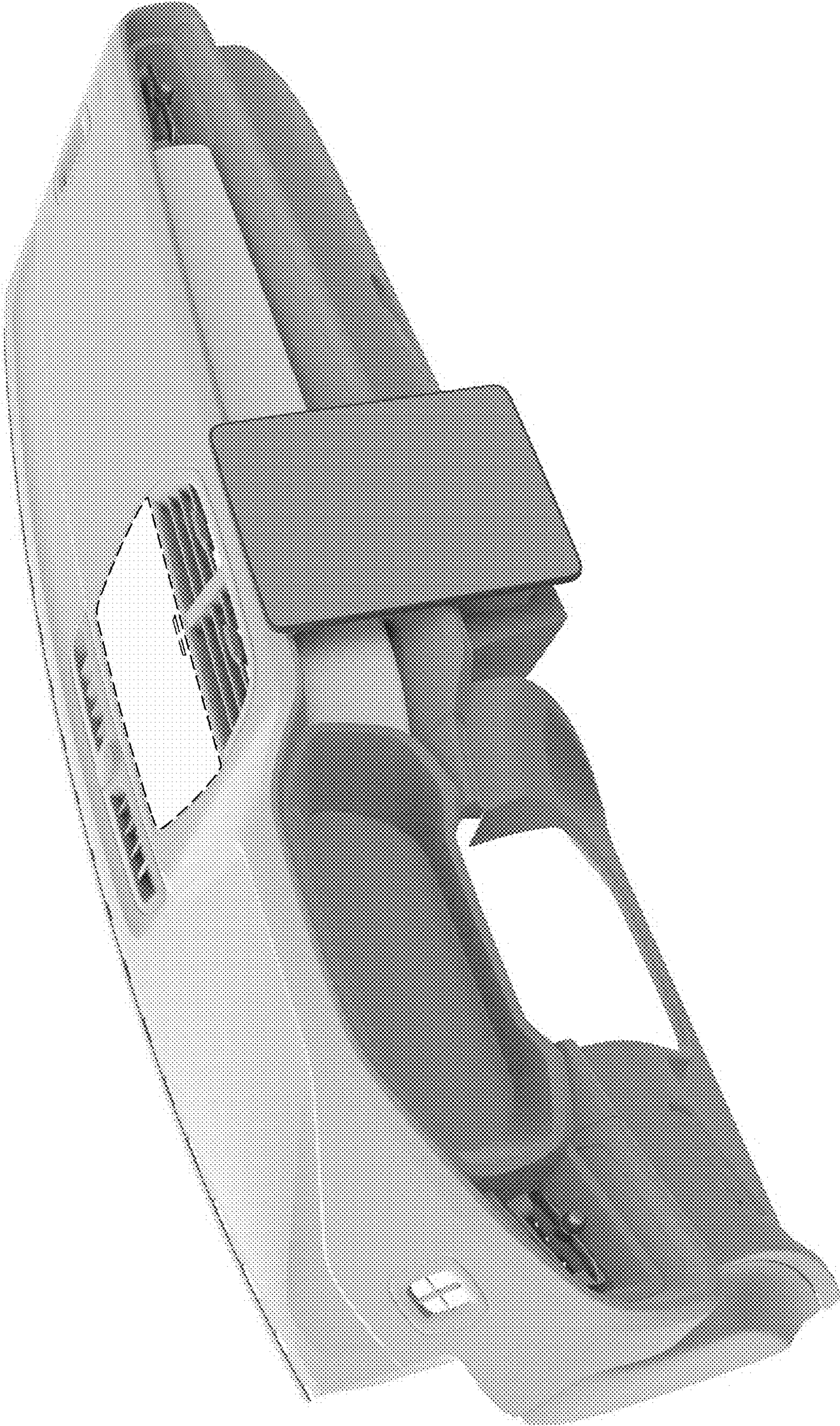


FIG. 2

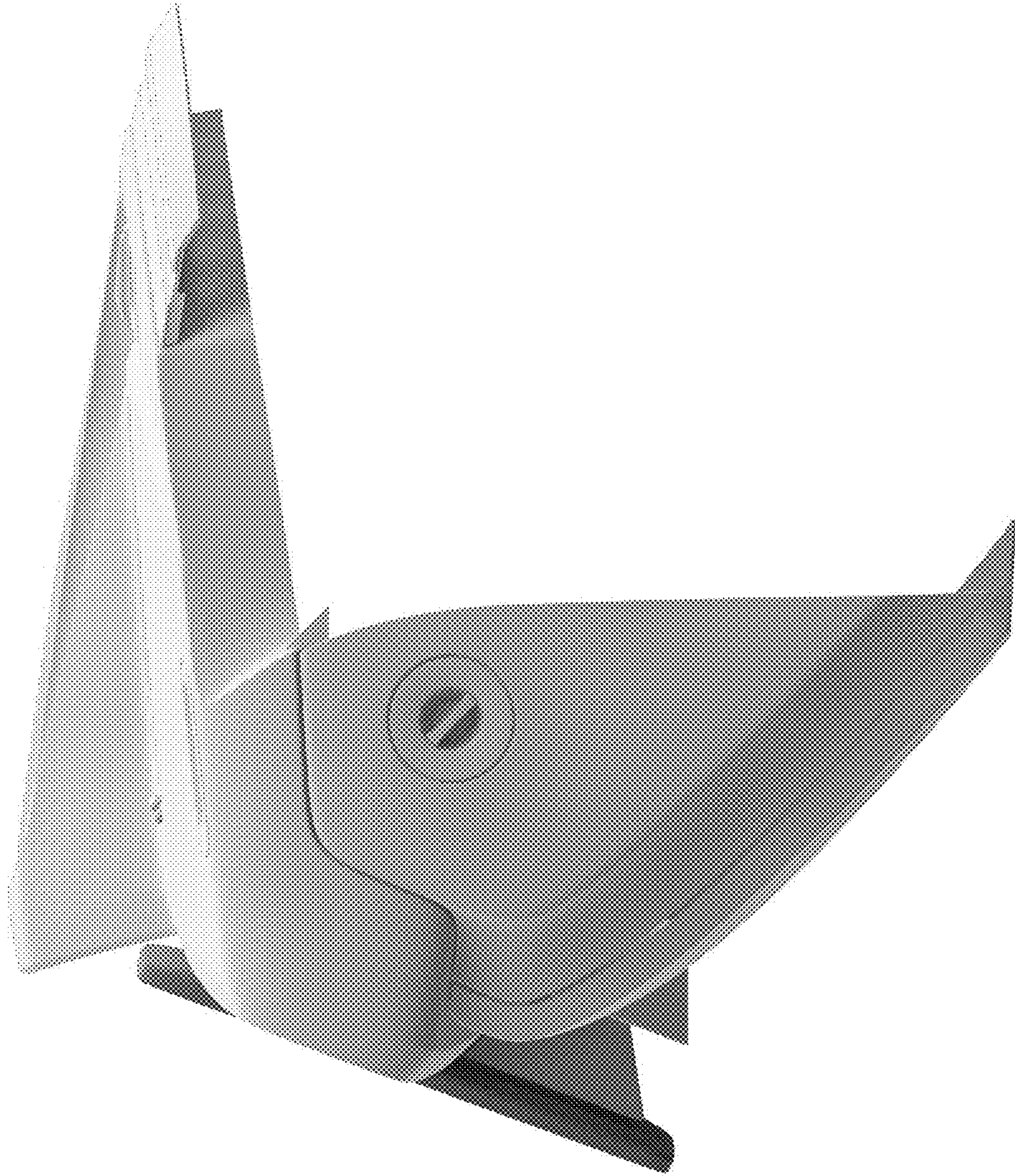


FIG. 3

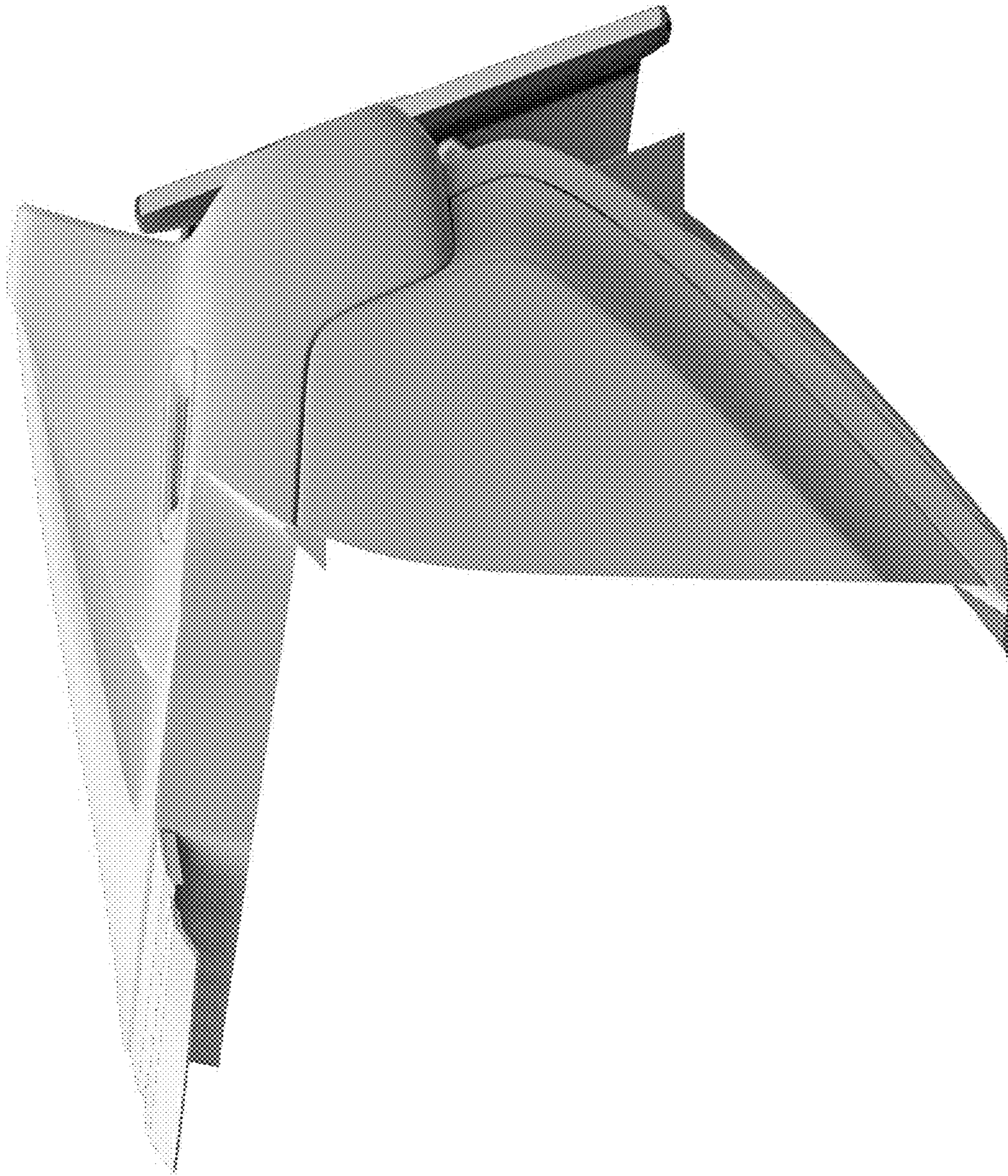


FIG. 4

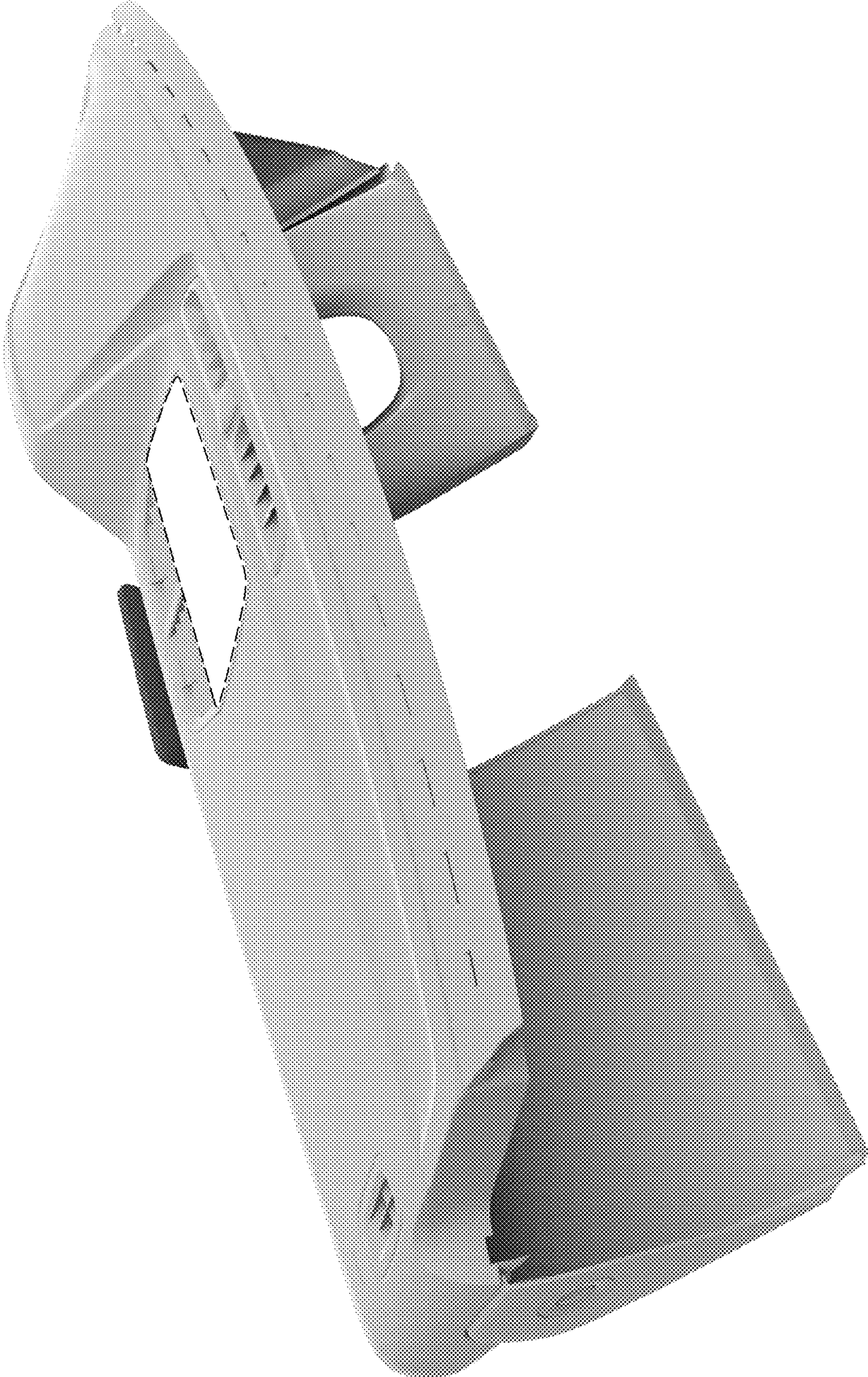


FIG. 5

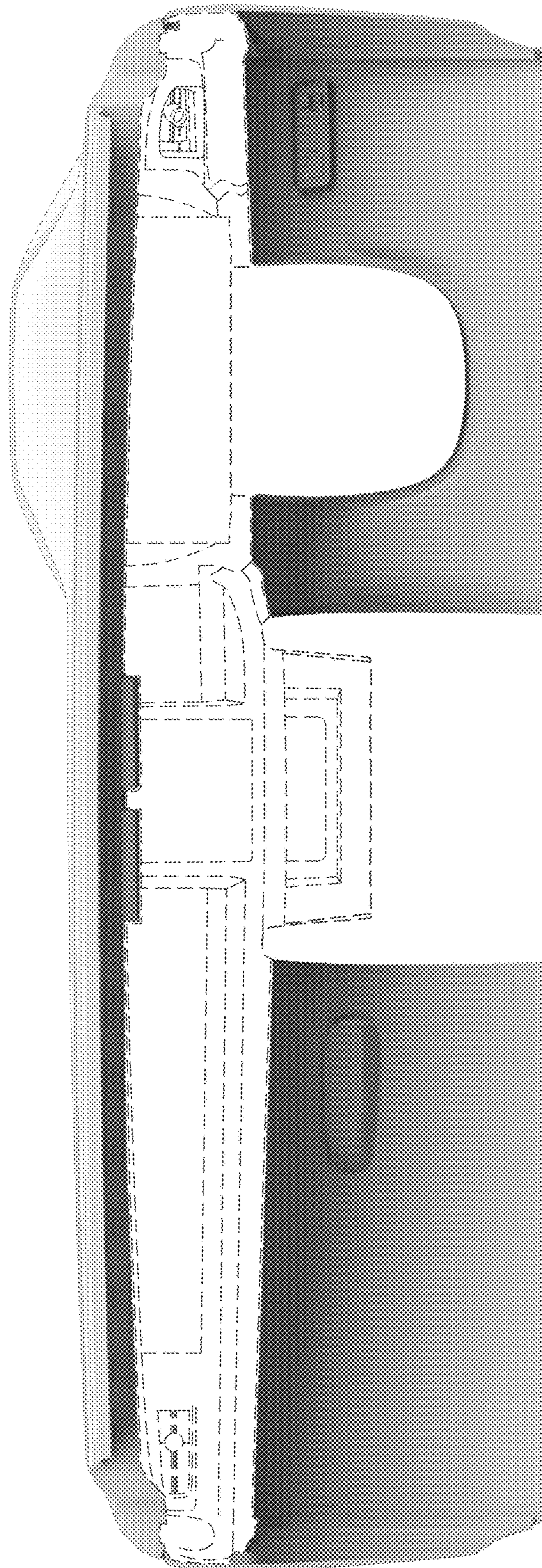


FIG. 6

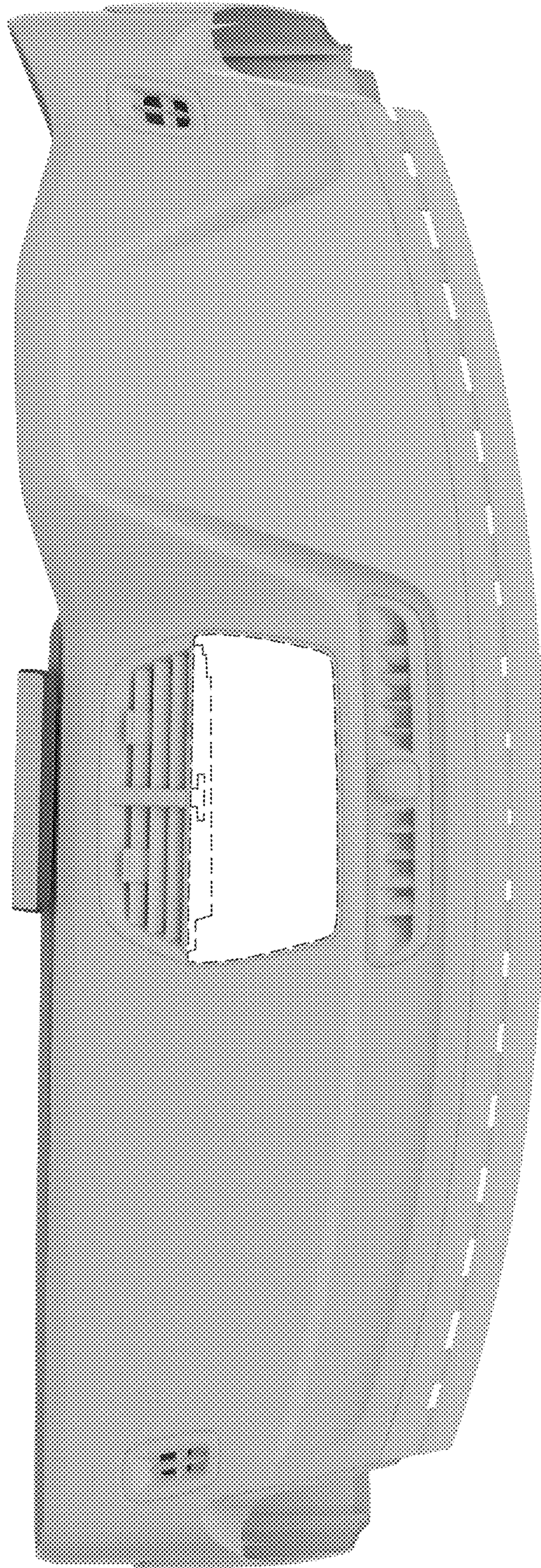


FIG. 7