



US00D908568S

(12) **United States Design Patent**  
**Peplowski**

(10) **Patent No.:** **US D908,568 S**

(45) **Date of Patent:** **\*\* Jan. 26, 2021**

(54) **DECORATIVE ELEMENT FOR A VEHICLE**

(71) Applicant: **Bayerische Motoren Werke  
Aktiengesellschaft, Munich (DE)**

(72) Inventor: **Jacek Peplowski, Munich (DE)**

(73) Assignee: **Bayerische Motoren Werke  
Aktiengesellschaft, Munich (DE)**

(\*\*) Term: **15 Years**

(21) Appl. No.: **29/702,999**

(22) Filed: **Aug. 23, 2019**

(30) **Foreign Application Priority Data**

Mar. 1, 2019 (DE) ..... 40 2019 100 249

(51) **LOC (13) Cl.** ..... **12-08**

(52) **U.S. Cl.**  
USPC ..... **D12/190**

(58) **Field of Classification Search**  
USPC .... D12/190, 181, 192, 400, 90, 91, 92, 196,  
D12/197, 198, 199, 200, 171, 172, 163,  
D12/110, 114; 293/102, 113, 115, 117,  
293/120; 296/180.1, 180.2  
CPC ..... B60S 9/205; B60R 13/005; B60R 13/02  
See application file for complete search history.

(56) **References Cited**

**U.S. PATENT DOCUMENTS**

D316,072 S *	4/1991	Wayne	.....	D12/190
D497,860 S *	11/2004	Hoelzel	.....	D12/196
D540,228 S *	4/2007	Lai	.....	D12/190
D540,229 S *	4/2007	Lai	.....	D12/190
D548,158 S *	8/2007	Kulla	.....	D12/196
D561,653 S *	2/2008	Platto	.....	D12/163
D586,273 S *	2/2009	Hamburger	.....	D12/181
D600,181 S *	9/2009	Larson	.....	D12/181
D606,468 S *	12/2009	Varga	.....	D12/181

D609,149 S *	2/2010	Larson	.....	D12/181
D619,056 S *	7/2010	Lamm	.....	D12/163
D630,560 S *	1/2011	Lamm	.....	D12/163
D678,133 S *	3/2013	Behmer	.....	D12/163
D713,597 S *	9/2014	Rupar	.....	D26/139
D716,978 S *	11/2014	Selvaag	.....	D26/28
D716,979 S *	11/2014	Selvaag	.....	D26/28
D717,222 S *	11/2014	Waterman	.....	D12/190
D725,010 S *	3/2015	Takei	.....	D12/169
D748,547 S *	2/2016	Battams	.....	D12/190
D756,273 S *	5/2016	Platto	.....	D12/163
D757,308 S *	5/2016	Rupar	.....	D26/28
D757,309 S *	5/2016	Rupar	.....	D26/28

(Continued)

**OTHER PUBLICATIONS**

Chrome Trim Hood Side Vents, Putco.com, [online], [site visited Oct. 13, 2020]. <URL: <https://www.putco.com/putco-hummer-chrome-trim-accessories-403408>> (Year: 2020).\*

(Continued)

*Primary Examiner* — T Chase Nelson

*Assistant Examiner* — Jonathan J. Han

(74) *Attorney, Agent, or Firm* — Crowell & Moring LLP

(57) **CLAIM**

The ornamental design for a decorative element for a vehicle, as shown and described.

**DESCRIPTION**

FIG. 1 is a front view of a decorative element for a vehicle according to the design;

FIG. 2 is a left, front perspective view thereof;

FIG. 3 is a right, front perspective view thereof;

FIG. 4 is a left side view thereof;

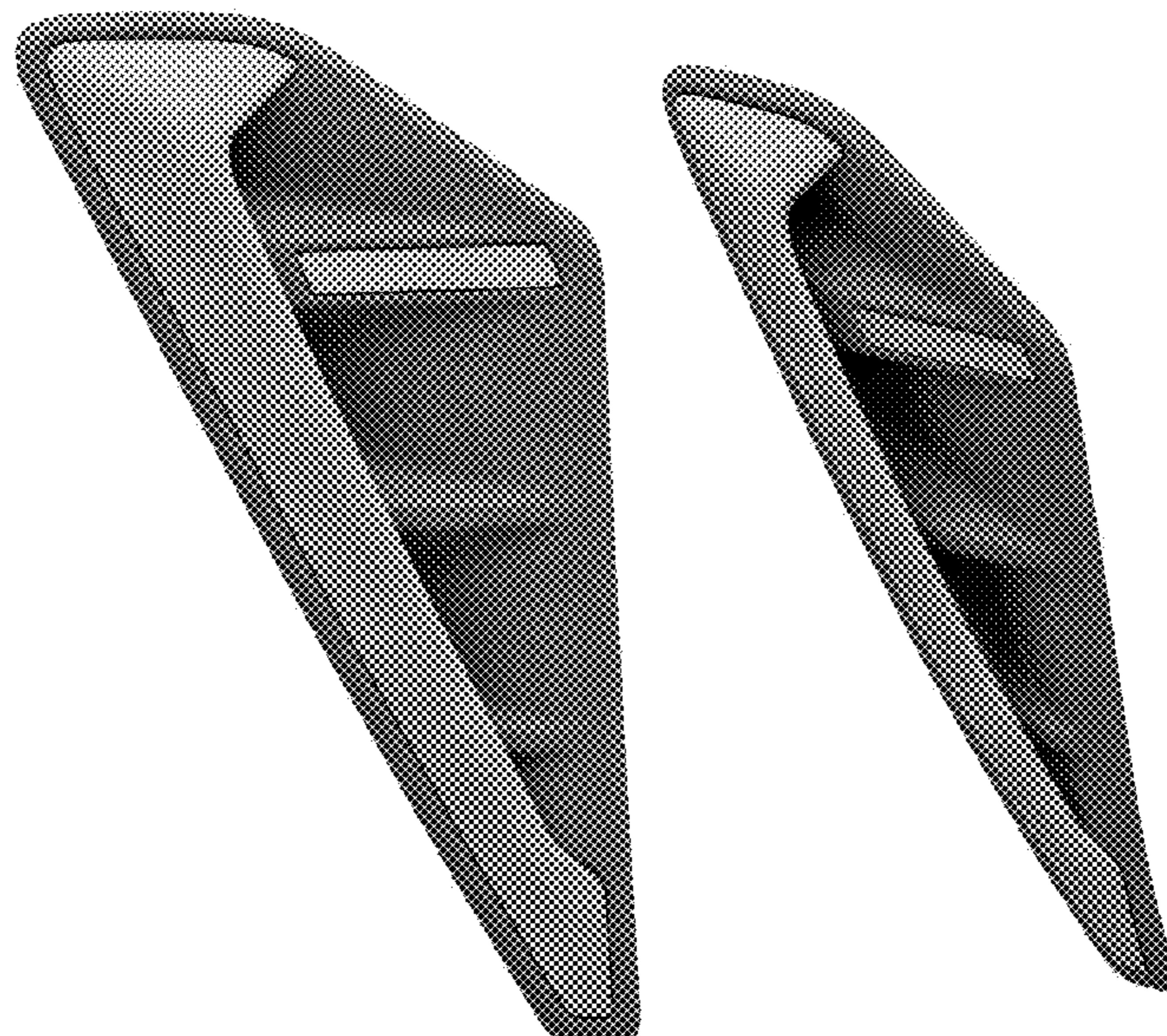
FIG. 5 is a right side view thereof;

FIG. 6 is a top view thereof;

FIG. 7 is a bottom view thereof; and,

FIG. 8 is a rear view thereof.

**1 Claim, 8 Drawing Sheets**



(56)

**References Cited**

## U.S. PATENT DOCUMENTS

D808,047 S *	1/2018	Hannemann .....	D26/28
D818,894 S *	5/2018	Waterhouse .....	D12/163
D821,274 S *	6/2018	Simm .....	D12/163
D821,279 S *	6/2018	Szavits .....	D12/190
D830,239 S *	10/2018	Behmer .....	D12/163
D836,509 S *	12/2018	Grand .....	D12/190
D849,616 S *	5/2019	Nurnberger .....	D12/190
D863,662 S *	10/2019	Yong .....	D26/139
D873,192 S *	1/2020	Smith .....	D12/190
D874,366 S *	2/2020	Munsell .....	D12/181
D874,369 S *	2/2020	Donfrancesco .....	D12/190
D894,060 S *	8/2020	Izard .....	D12/169
D894,062 S *	8/2020	Wheel .....	D12/169

## OTHER PUBLICATIONS

Painted Side Vents—Boxster 987, BumperPlugs.com, [online], [site visited Oct. 13, 2020]. <URL: <https://bumperplugs.com/987-boxster-side-vent-trim-painted>> (Year: 2020).\*

METYOUCAR ABS Xdrive Shark Gills Fender Vent Decoration Trim for BMW X5 F15 X5M F85 14-17 (Silver+White), Amazon.com, Date First Available: Mar. 28, 2017, [online], [site visited Oct. 13, 2020]. <URL: <https://www.amazon.com/Exterior-Accessories-X-drive-Decoration-Stickers/dp/B06XWHNS4P>> (Year: 2017).\*

\* cited by examiner



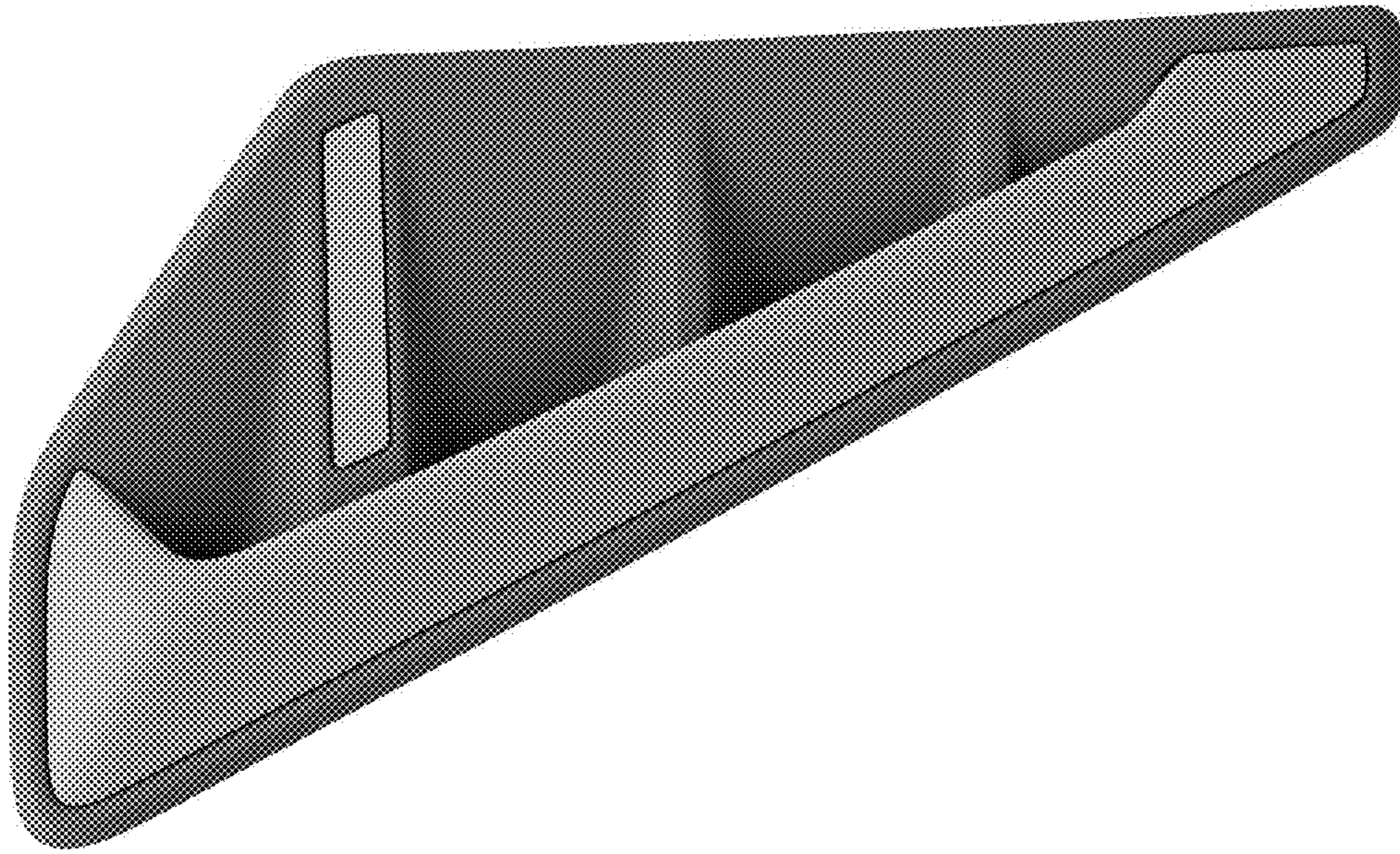


Fig. 1

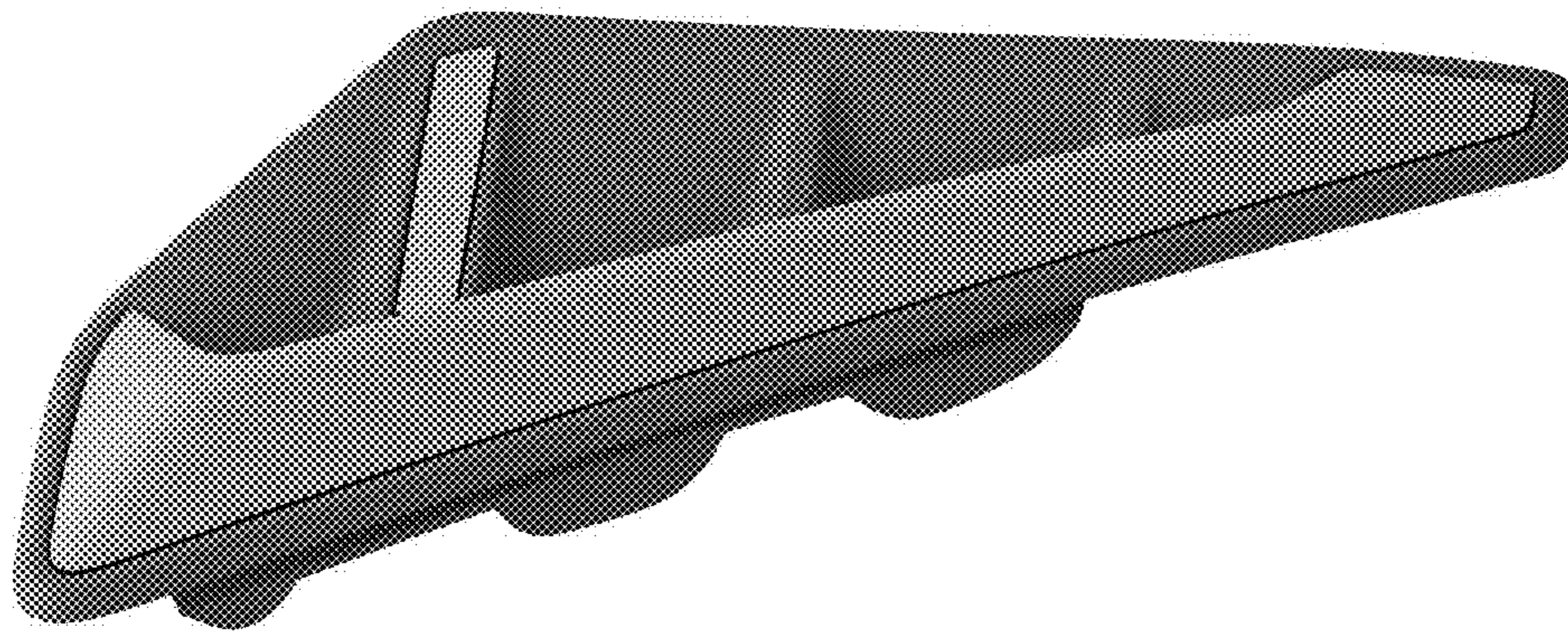


Fig. 2

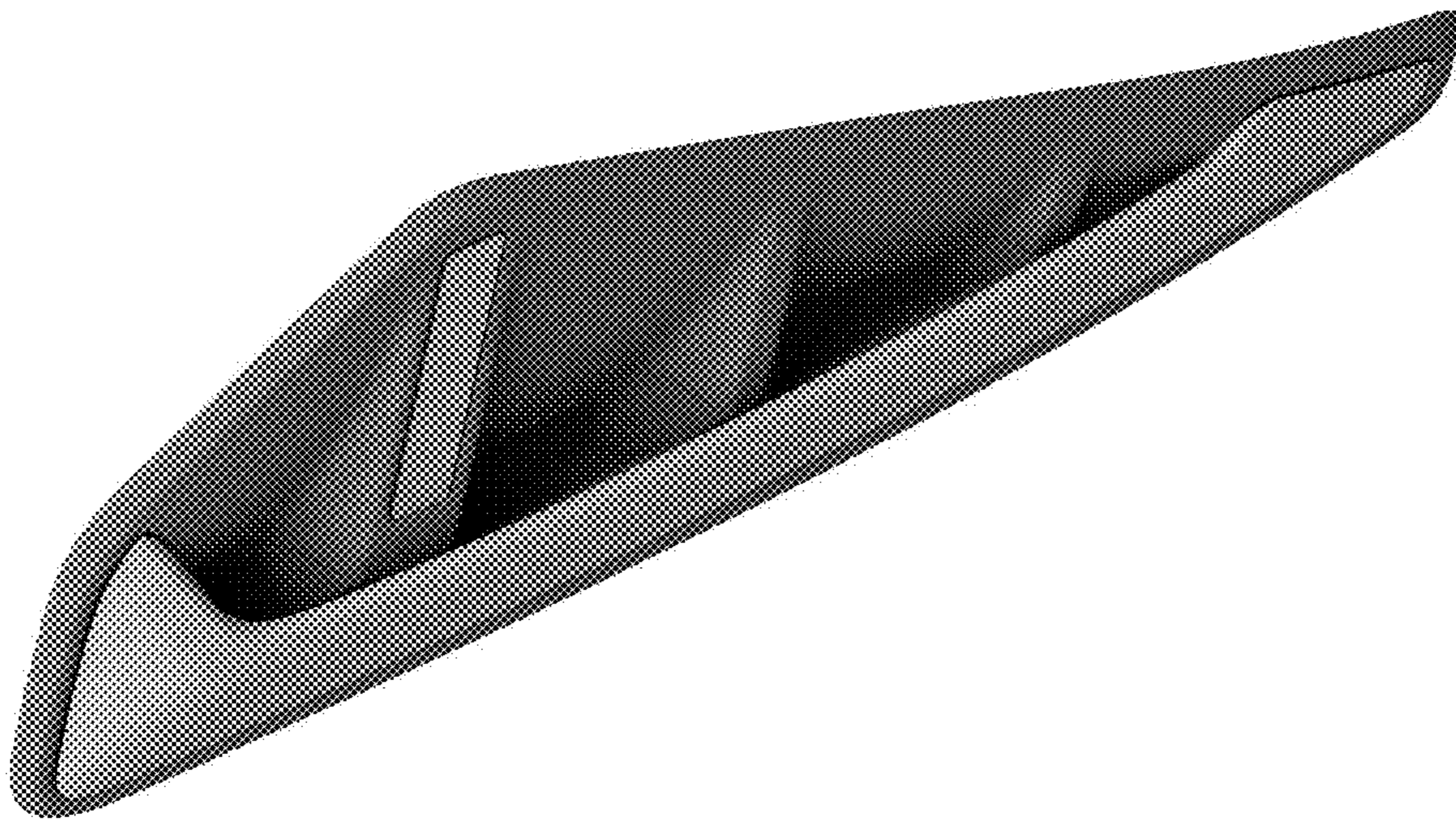


Fig. 3



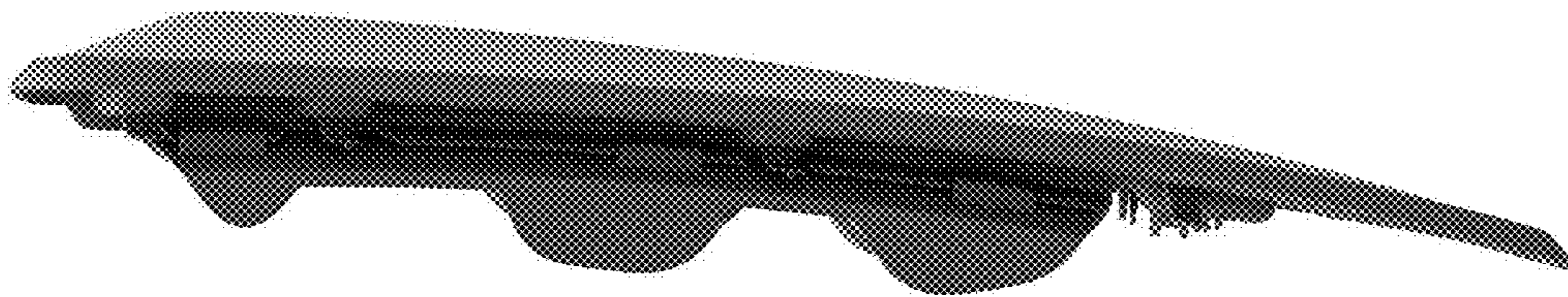


Fig. 4

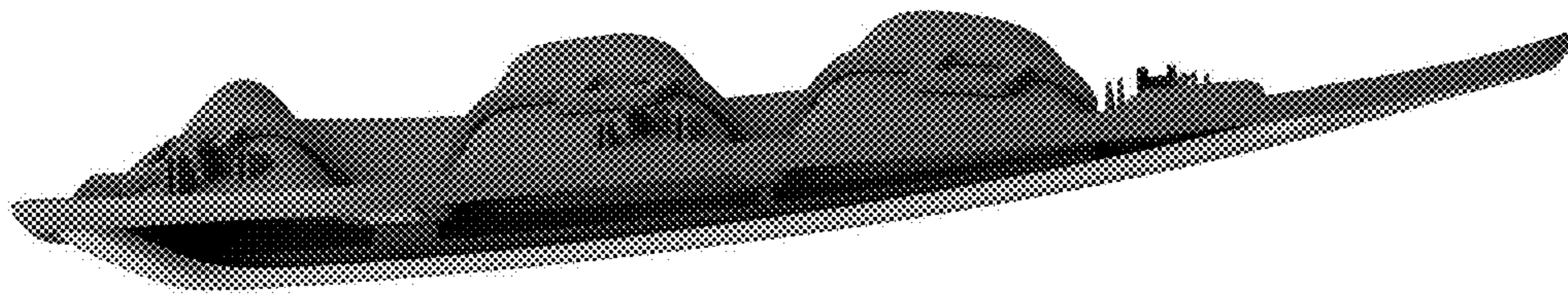


Fig. 5



Fig. 6



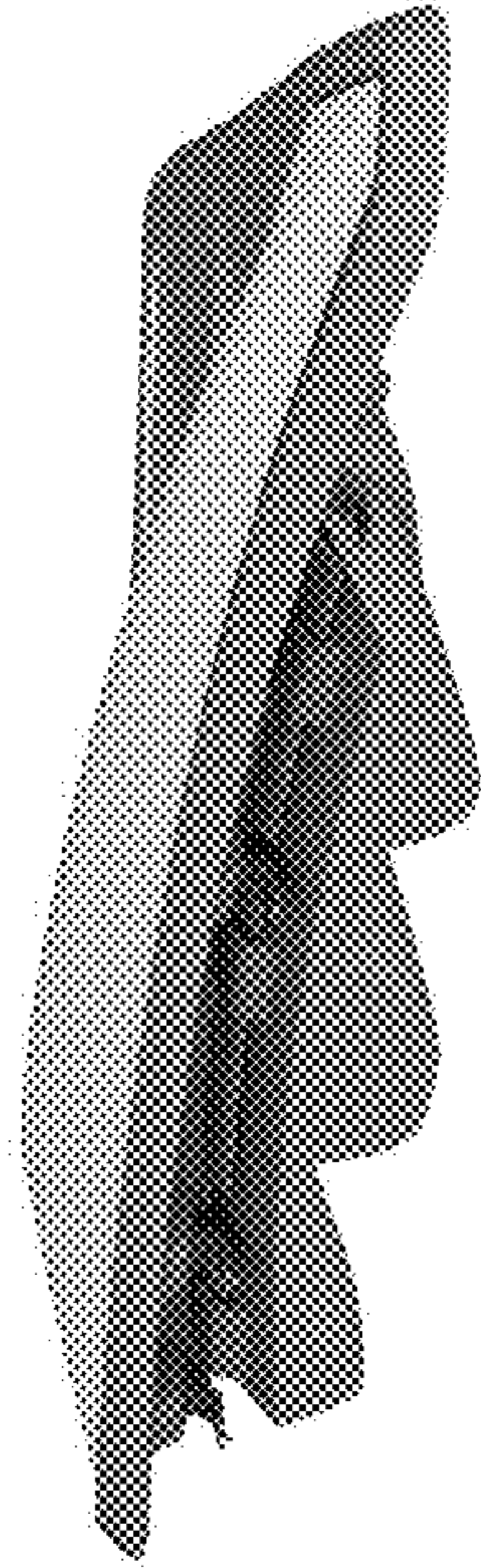


Fig. 7

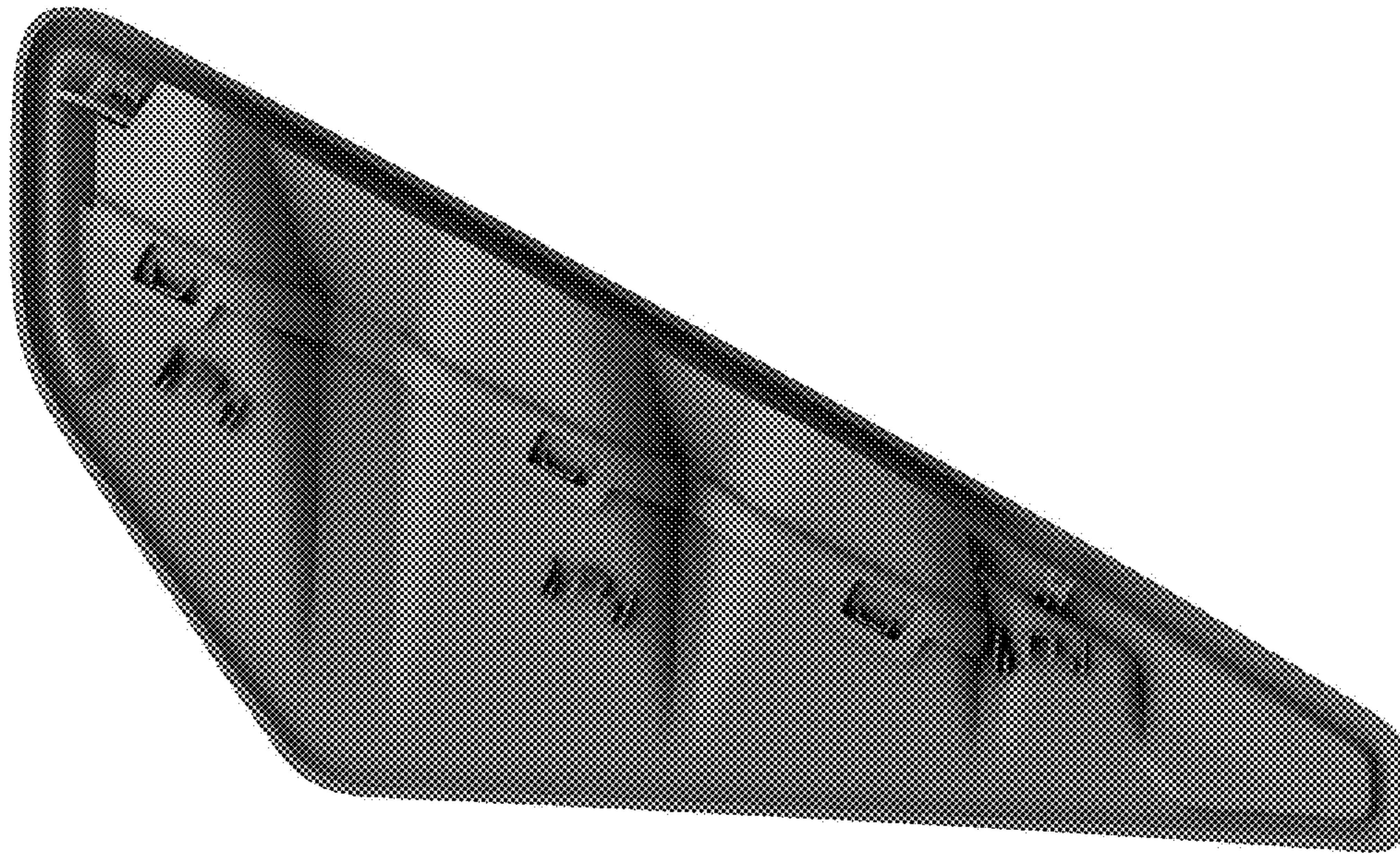


Fig. 8