



US00D908564S

(12) **United States Design Patent** (10) **Patent No.:** **US D908,564 S**
Poster et al. (45) **Date of Patent:** **** Jan. 26, 2021**

(54) **BRAKE CALIPER LEVER ASSEMBLY**
(71) Applicant: **Pacific Cycle, LLC**, Madison, WI (US)
(72) Inventors: **Matthew J. Poster**, Madison, WI (US);
Randall S. Koplín, Middleton, WI (US); **Andrew C. Joncich**, Madison, WI (US); **Michael J. Hammond**, Monona, WI (US); **Kyle G. Neuser**, Madison, WI (US); **Erik P. Eagleman**, Madison, WI (US)

8,096,392 B2 1/2012 Edwards et al.
8,151,945 B2 4/2012 Tsai
8,297,415 B2 10/2012 Edwards
8,485,320 B2 7/2013 Jordan
8,505,694 B2 8/2013 Ginster
8,662,258 B2 3/2014 Watarai et al.
8,813,920 B2 * 8/2014 Terada B60T 1/06
188/24.22
9,004,517 B2 4/2015 Servet
D734,696 S * 7/2015 Schanz D12/179
9,145,186 B2 9/2015 Wu
(Continued)

(73) Assignee: **Pacific Cycle, LLC**, Madison, WI (US)

(**) Term: **15 Years**

(21) Appl. No.: **29/699,712**

(22) Filed: **Jul. 29, 2019**

(51) **LOC (13) Cl.** **12-16**

(52) **U.S. Cl.**
USPC **D12/179**

(58) **Field of Classification Search**
USPC D12/114, 125, 179, 180
CPC B62L 1/14; B62L 1/16; B62L 1/02; B62L 1/005; B60T 1/06; B60T 11/046
See application file for complete search history.

(56) **References Cited**

U.S. PATENT DOCUMENTS

3,628,635 A 12/1971 Yoshigai
D340,902 S * 11/1993 Mele D12/179
D370,649 S * 6/1996 Chen D12/179
D410,881 S * 6/1999 Woodiwiss D12/179
6,298,951 B1 * 10/2001 Wu B62L 1/02
188/2 D
D544,419 S * 6/2007 Caiazzo D12/179
7,419,034 B1 9/2008 Wu
7,802,660 B2 9/2010 Tsai
8,006,809 B2 * 8/2011 Tsai B60T 11/046
188/24.19
8,061,487 B2 11/2011 Tsai

FOREIGN PATENT DOCUMENTS

JP S5237342 3/1977

Primary Examiner — Susan E Krakower

Assistant Examiner — Jerry Shiuan-Hua Hsu

(74) *Attorney, Agent, or Firm* — James A. Joyce; Godfrey & Kahn, S.C.

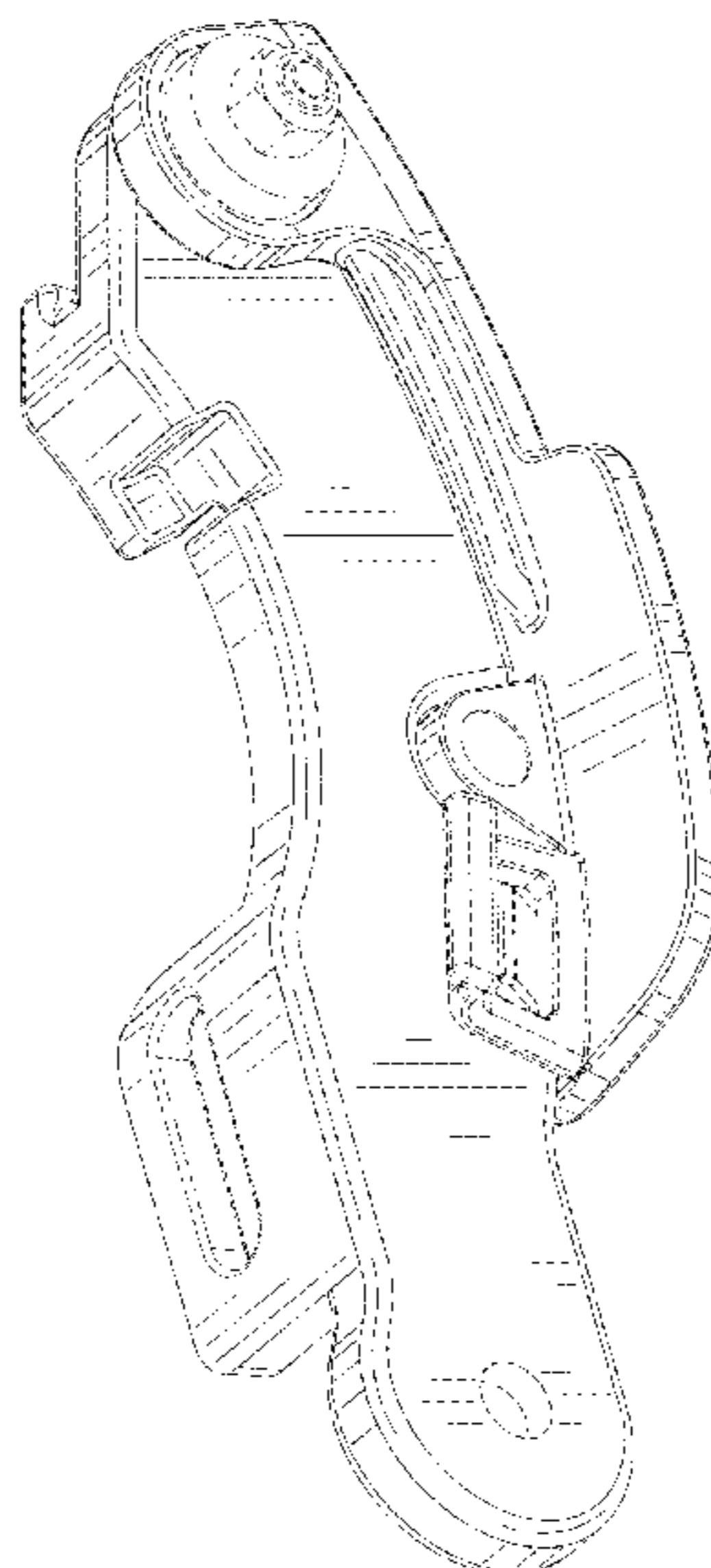
(57) **CLAIM**

The ornamental design for a brake caliper lever assembly, as shown and described.

DESCRIPTION

FIG. 1 is a front perspective view of a brake caliper lever assembly showing our new design; FIG. 2 is a rear perspective view thereof; FIG. 3 is a front view thereof; FIG. 4 is a rear view thereof; FIG. 5 is a left side view thereof; FIG. 6 is a right side view thereof; FIG. 7 is a top view thereof; FIG. 8 is a bottom view thereof; FIG. 9 is an exploded front perspective view thereof; and, FIG. 10 is an exploded rear perspective view thereof. The broken lines in the figures show portions of the brake caliper lever assembly that form no part of the claimed design.

1 Claim, 9 Drawing Sheets



(56)

References Cited

U.S. PATENT DOCUMENTS

10,189,537	B2 *	1/2019	Wen	B62L 1/16
10,648,525	B2 *	5/2020	Ishizaki	B62L 1/005
2011/0127119	A1	6/2011	Tsai	
2018/0043964	A1	2/2018	Wen	
2018/0244338	A1 *	8/2018	Wen	B62L 1/16
2020/0039605	A1 *	2/2020	Poster	B62L 1/14

* cited by examiner

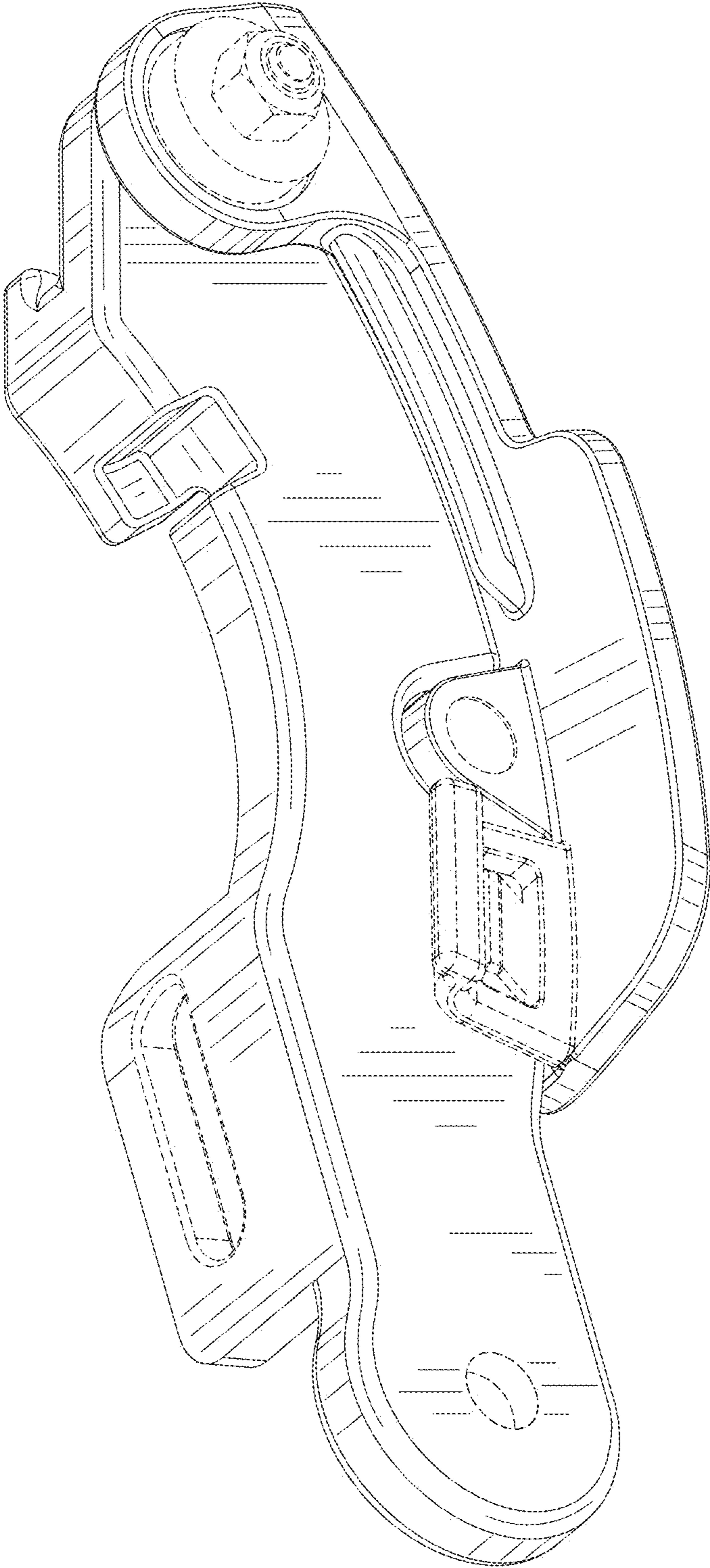


FIG. 1

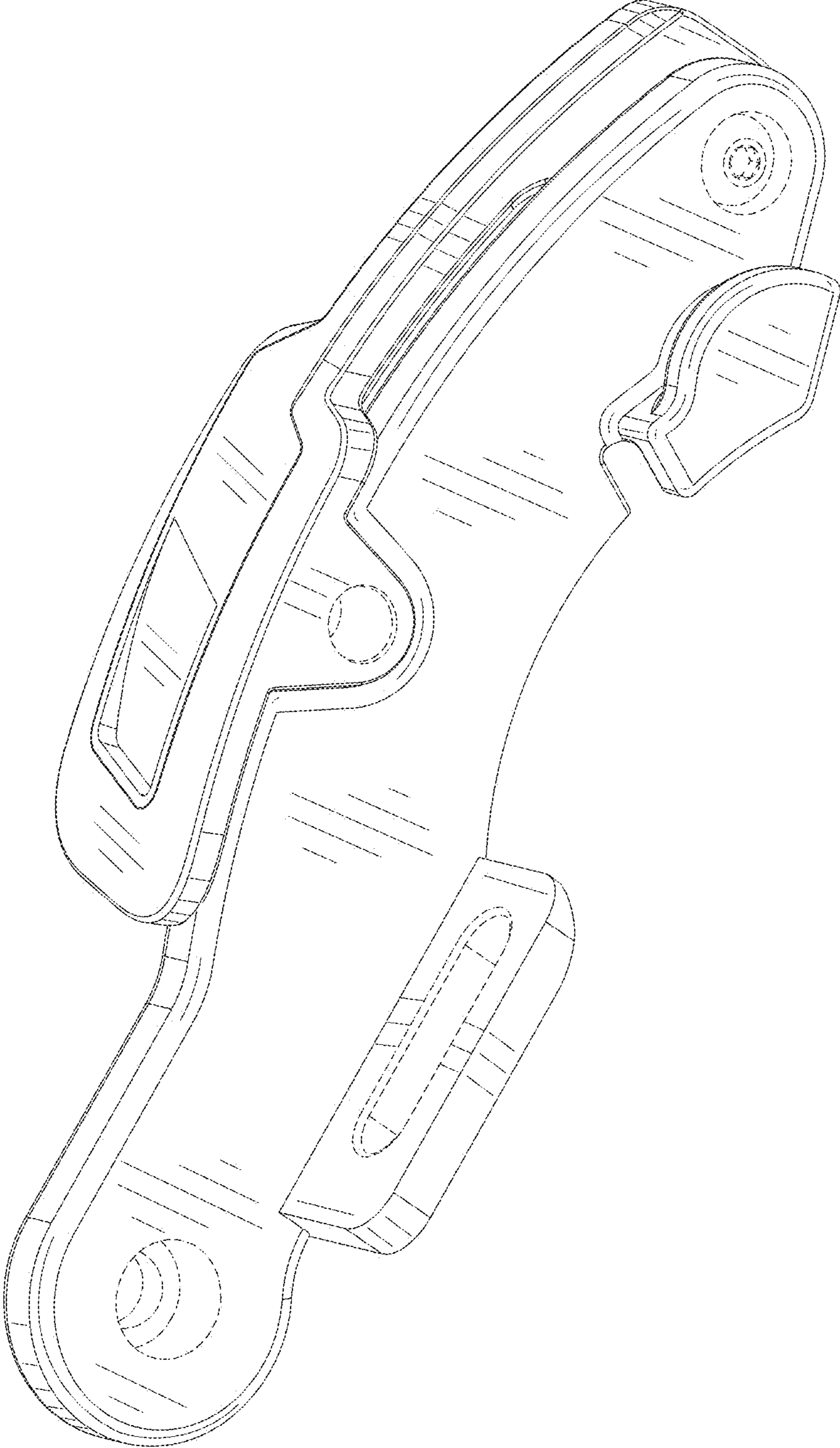


FIG. 2

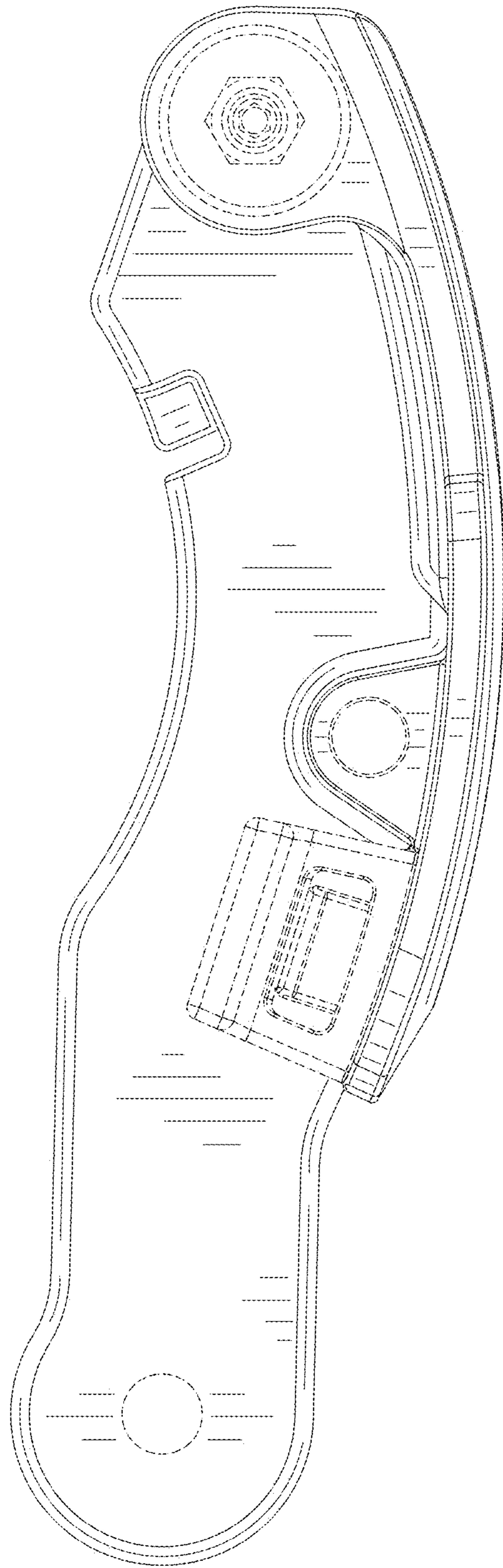


FIG. 3

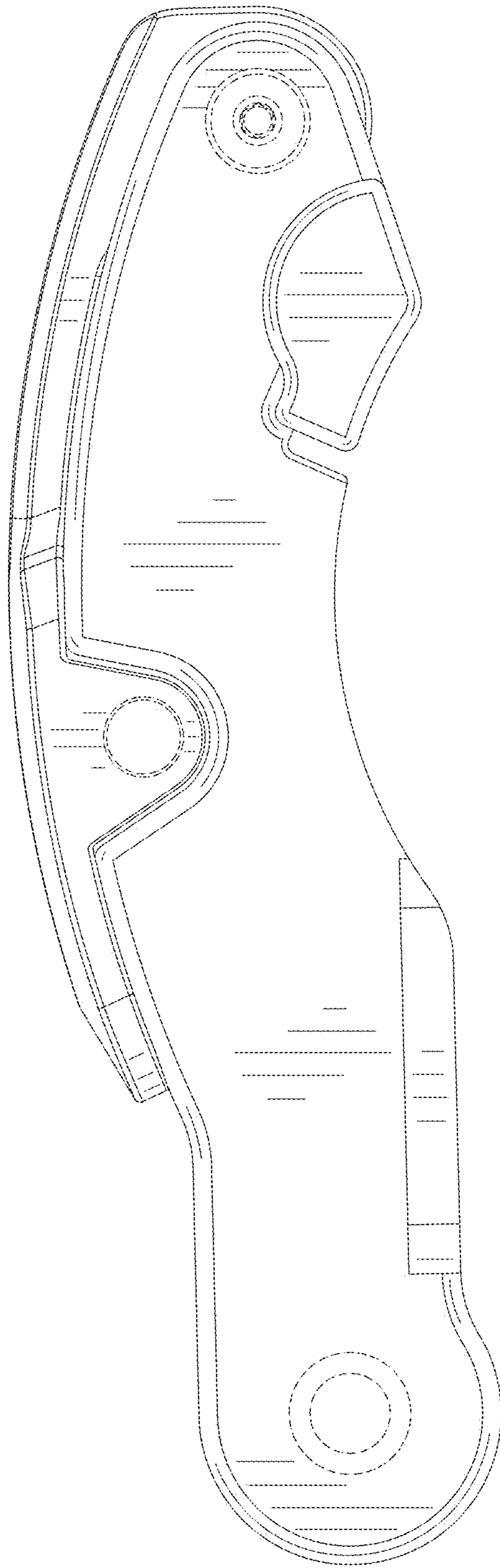


FIG. 4

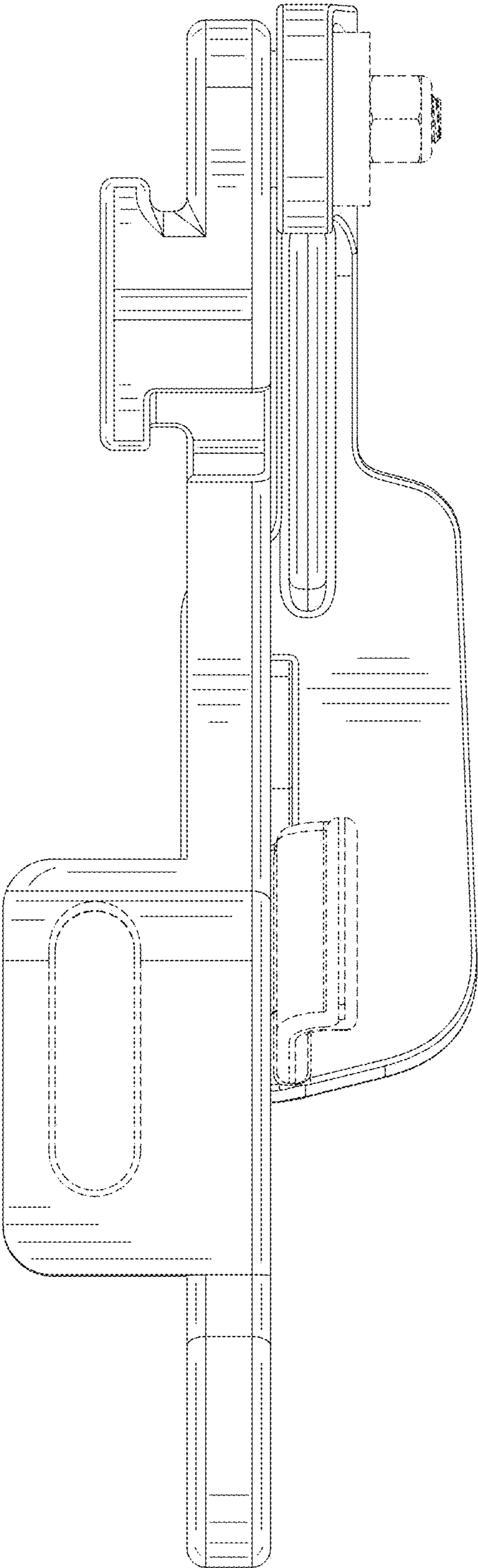


FIG. 5

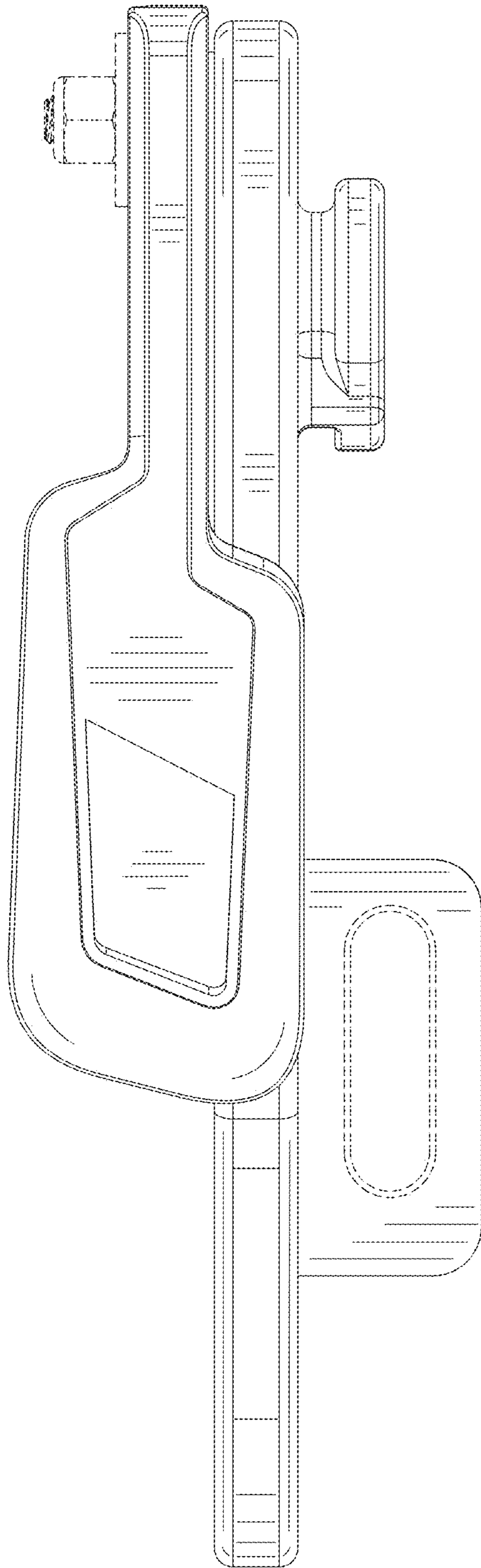


FIG. 6

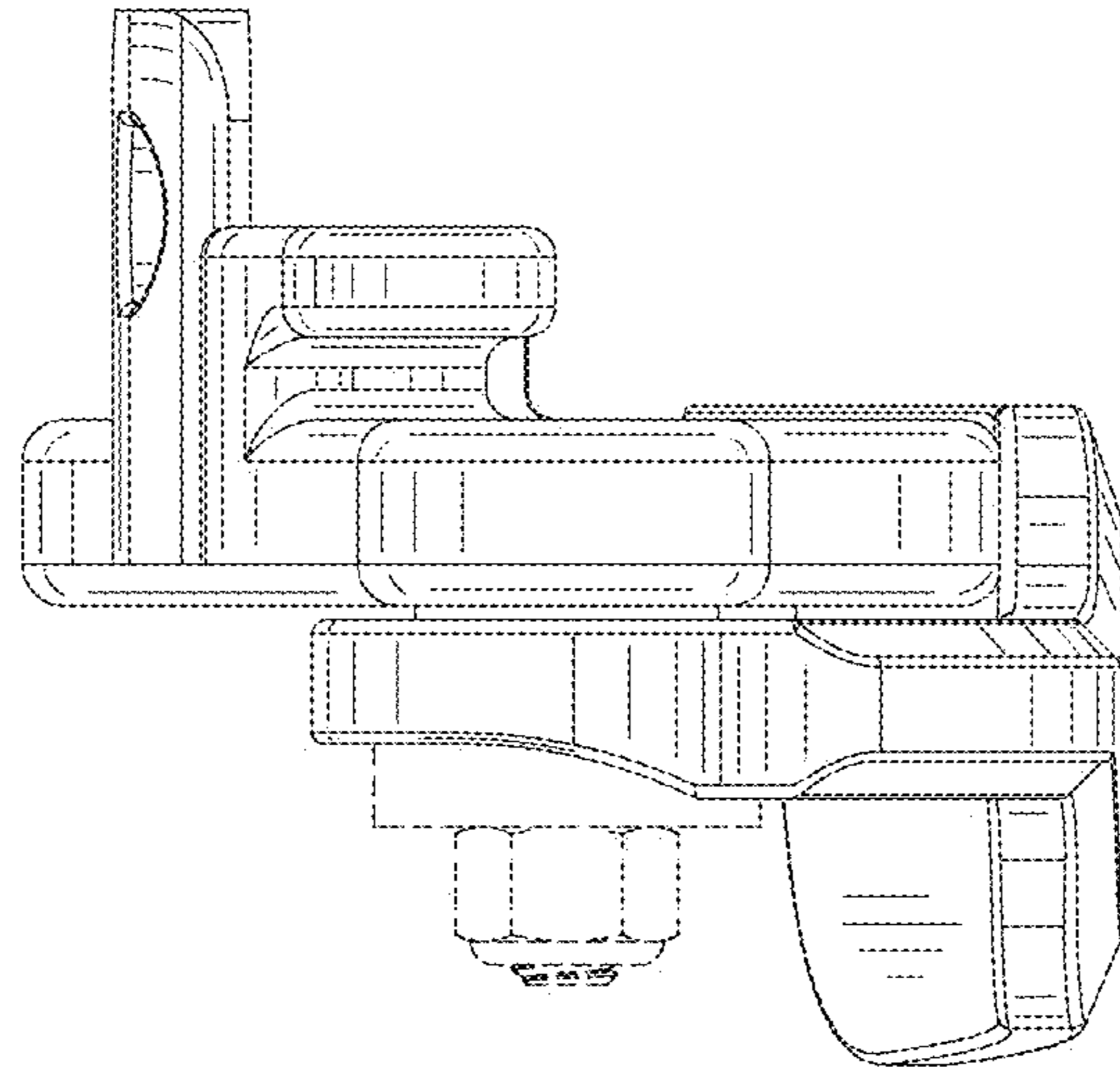


FIG. 7

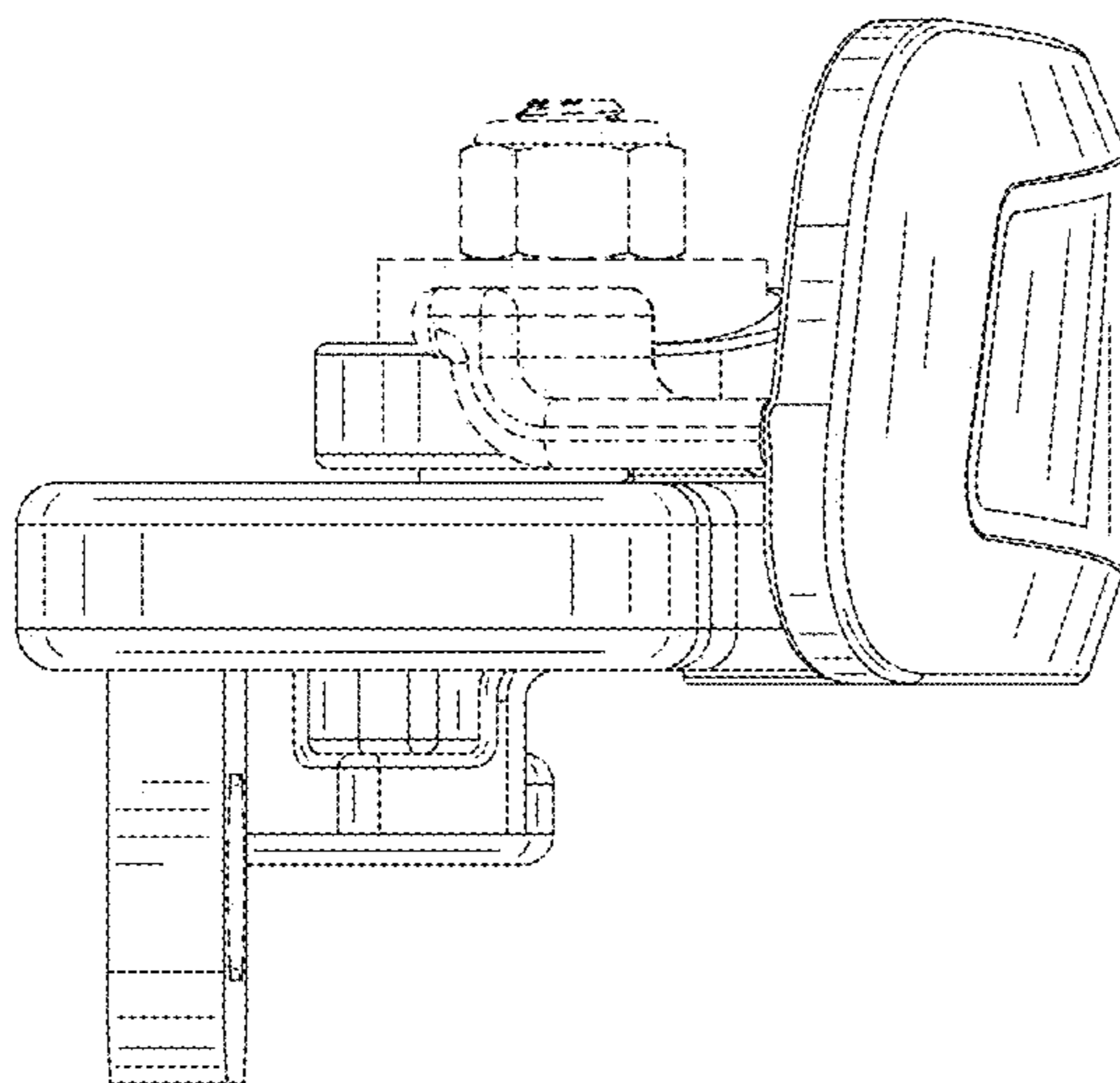


FIG. 8

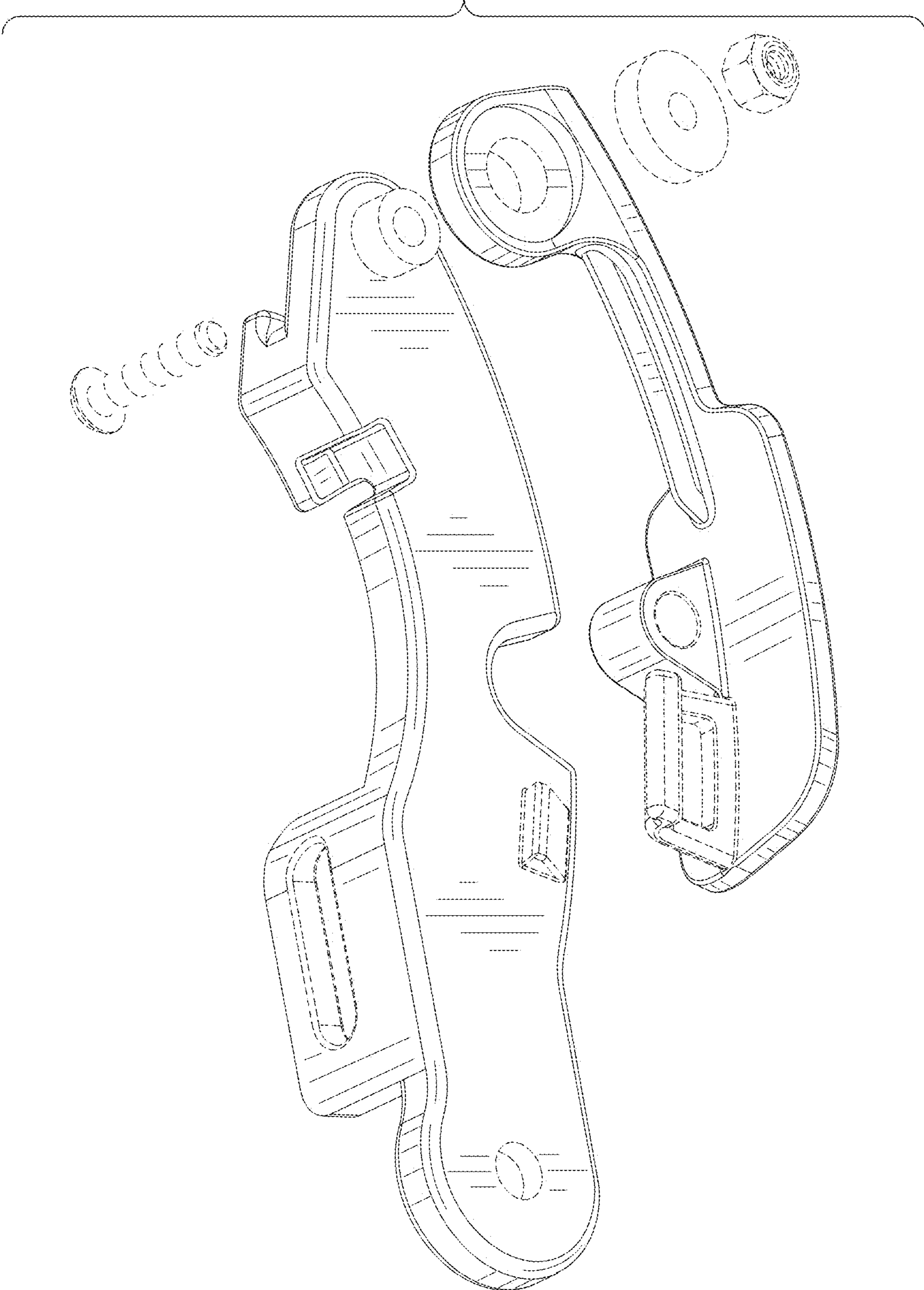


FIG. 9

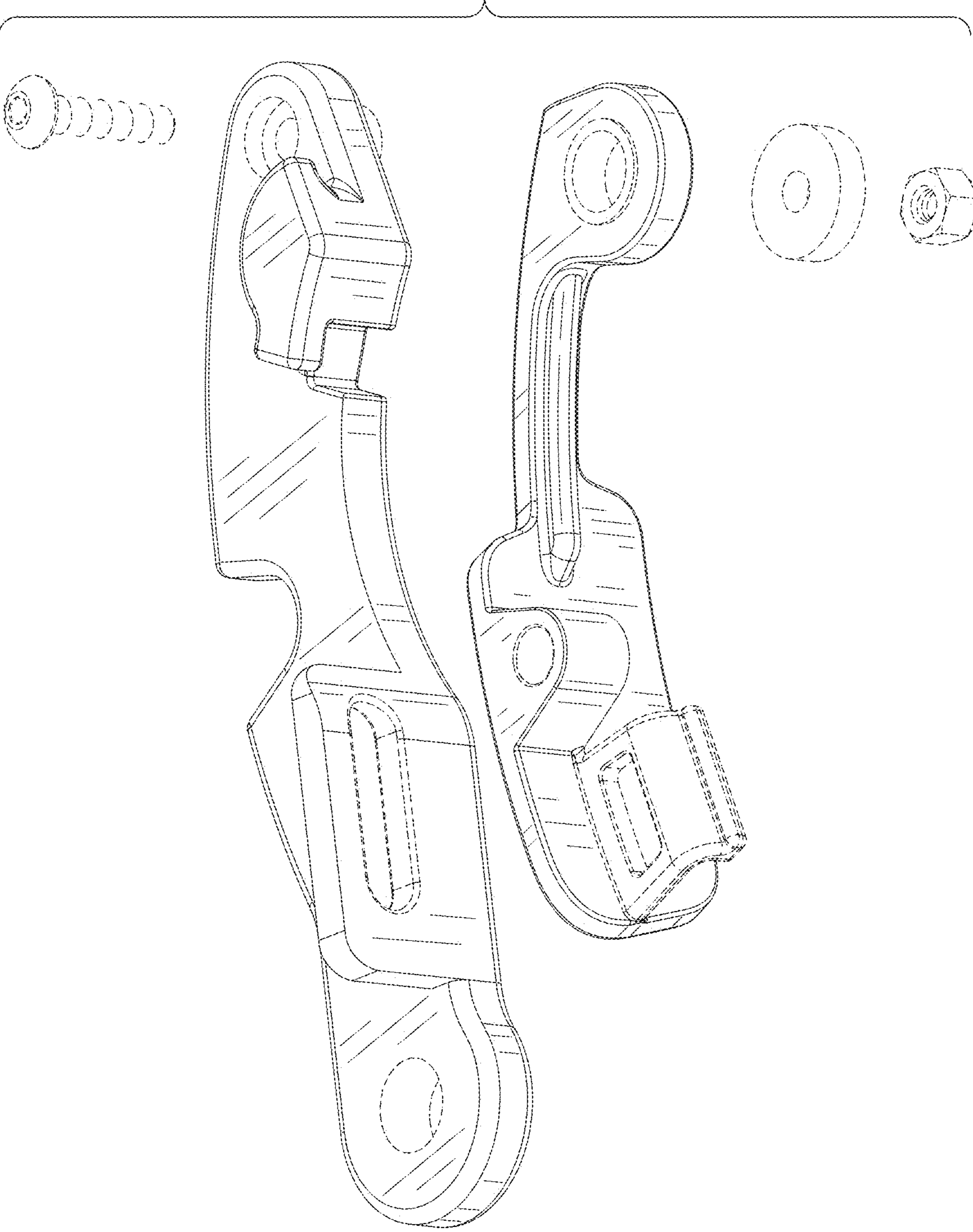


FIG. 10