



US00D908548S

(12) **United States Design Patent** (10) **Patent No.:** **US D908,548 S**
Liang (45) **Date of Patent:** **** Jan. 26, 2021**

(54) **SHIFTER PEG**
(71) Applicant: **Shixin Liang**, Anyang (CN)
(72) Inventor: **Shixin Liang**, Anyang (CN)
(**) Term: **15 Years**
(21) Appl. No.: **29/746,771**
(22) Filed: **Aug. 17, 2020**
(51) **LOC (13) Cl.** **12-11**
(52) **U.S. Cl.**
USPC **D12/125**
(58) **Field of Classification Search**
USPC D12/111, 125
CPC B60N 3/063; B62J 25/00; B62K 23/08;
B62M 3/00; B62M 3/08
See application file for complete search history.

D414,723 S * 10/1999 Hanamura D12/125
D425,828 S * 5/2000 Ueda D12/125
D432,463 S * 10/2000 Hanamura
D489,295 S * 5/2004 Wright D12/114
D498,442 S * 11/2004 James D12/114
D524,195 S * 7/2006 Neal D12/125
7,228,761 B1 * 6/2007 Chen B62K 15/006
74/594.4
D667,348 S * 9/2012 Canfield D12/125
D870,602 S * 12/2019 Talios D12/125
D880,373 S * 4/2020 Rupp D12/125
10,683,056 B1 * 6/2020 Chen F16C 19/548
2003/0080528 A1 * 5/2003 Damon B62M 3/08
280/259
2005/0028639 A1 * 2/2005 Chang B62J 6/00
74/594.4
2015/0122078 A1 * 5/2015 Chen B62M 3/08
74/594.4
2016/0059918 A1 * 3/2016 Hensley B62M 3/08
70/233

* cited by examiner

Primary Examiner — Patricia A Palasik

(74) *Attorney, Agent, or Firm* — Justin Lampel

(56) **References Cited**

U.S. PATENT DOCUMENTS

D26,178 S * 10/1896 Warner D12/125
1,196,190 A * 8/1916 Warren B62M 3/08
74/594.7
1,276,139 A * 8/1918 Warren B62M 3/08
74/594.7
D257,249 S * 10/1980 Kingsbury D12/125
D277,838 S * 3/1985 Martin D12/125
D284,459 S * 7/1986 Shimizu 74/594.4
D286,994 S * 12/1986 Colani 74/594.4
D302,668 S * 8/1989 Chouan D12/125
D316,697 S * 5/1991 Beiser D12/125
D333,113 S * 2/1993 Nestrud D12/125
D341,108 S * 11/1993 Chen D12/125
5,381,708 A * 1/1995 Liao B62M 3/086
36/131
D401,535 S * 11/1998 Joseph, Jr. D12/114
5,852,956 A * 12/1998 Chen B62M 3/086
74/594.6

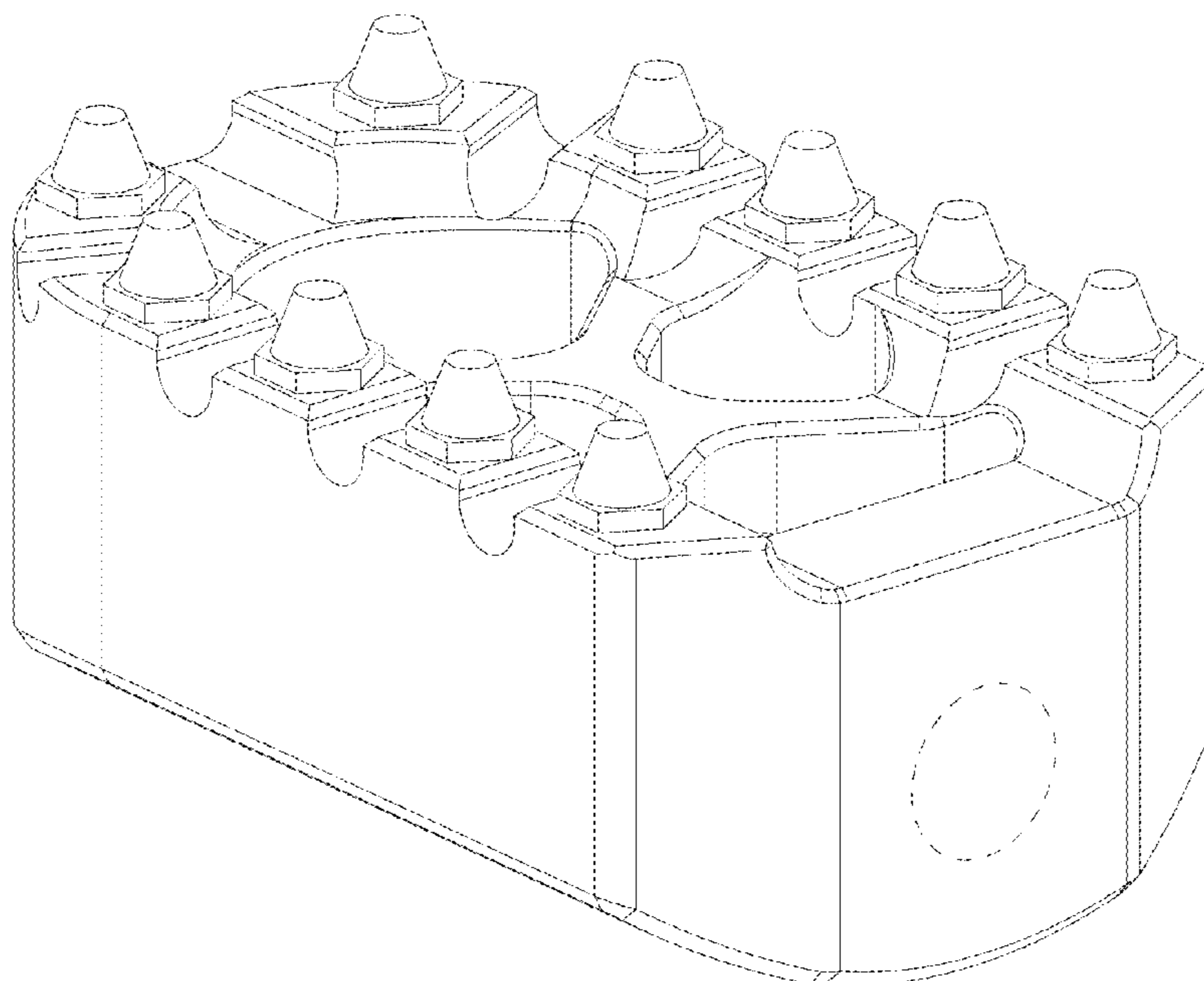
(57) **CLAIM**

The ornamental design for a shifter peg, as shown and described.

DESCRIPTION

FIG. 1 is a perspective view of a shifter peg showing the claimed design;
FIG. 2 is a top plan view thereof;
FIG. 3 is a rear elevational view thereof;
FIG. 4 is a bottom plan view thereof;
FIG. 5 is a right side view thereof;
FIG. 6 is a front elevational view thereof; and,
FIG. 7 is a left side view thereof.

1 Claim, 7 Drawing Sheets



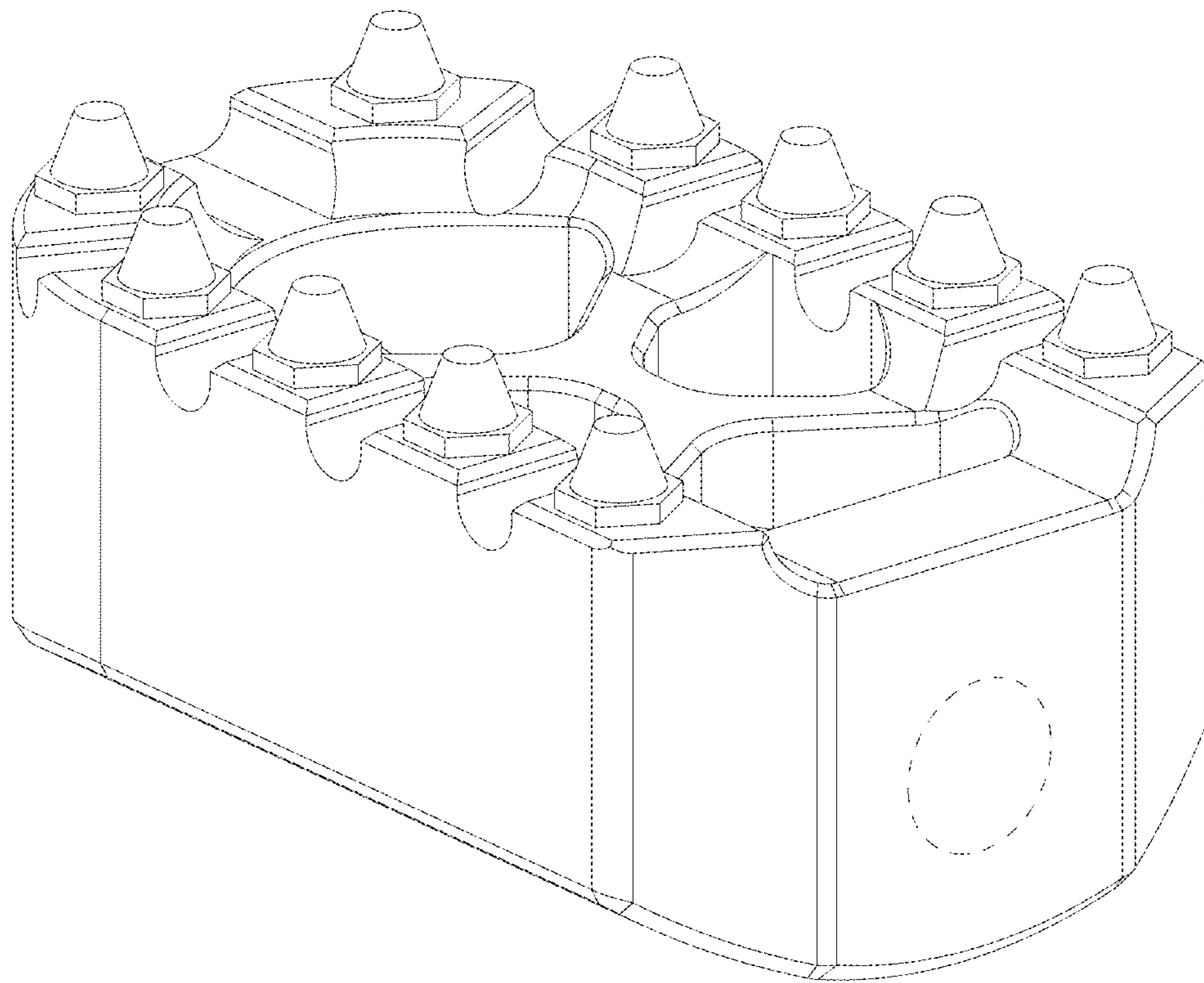


FIG.1

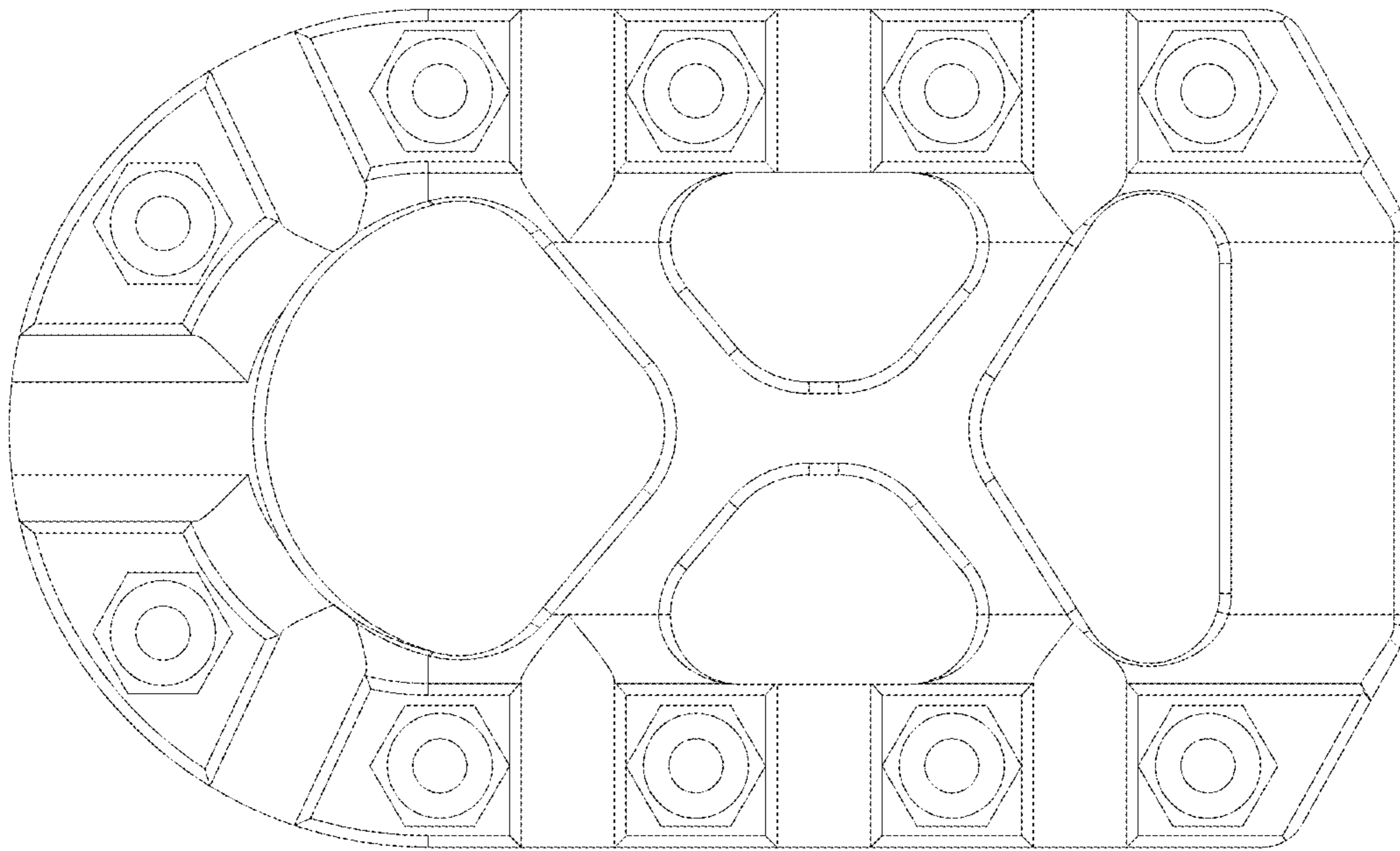


FIG. 2

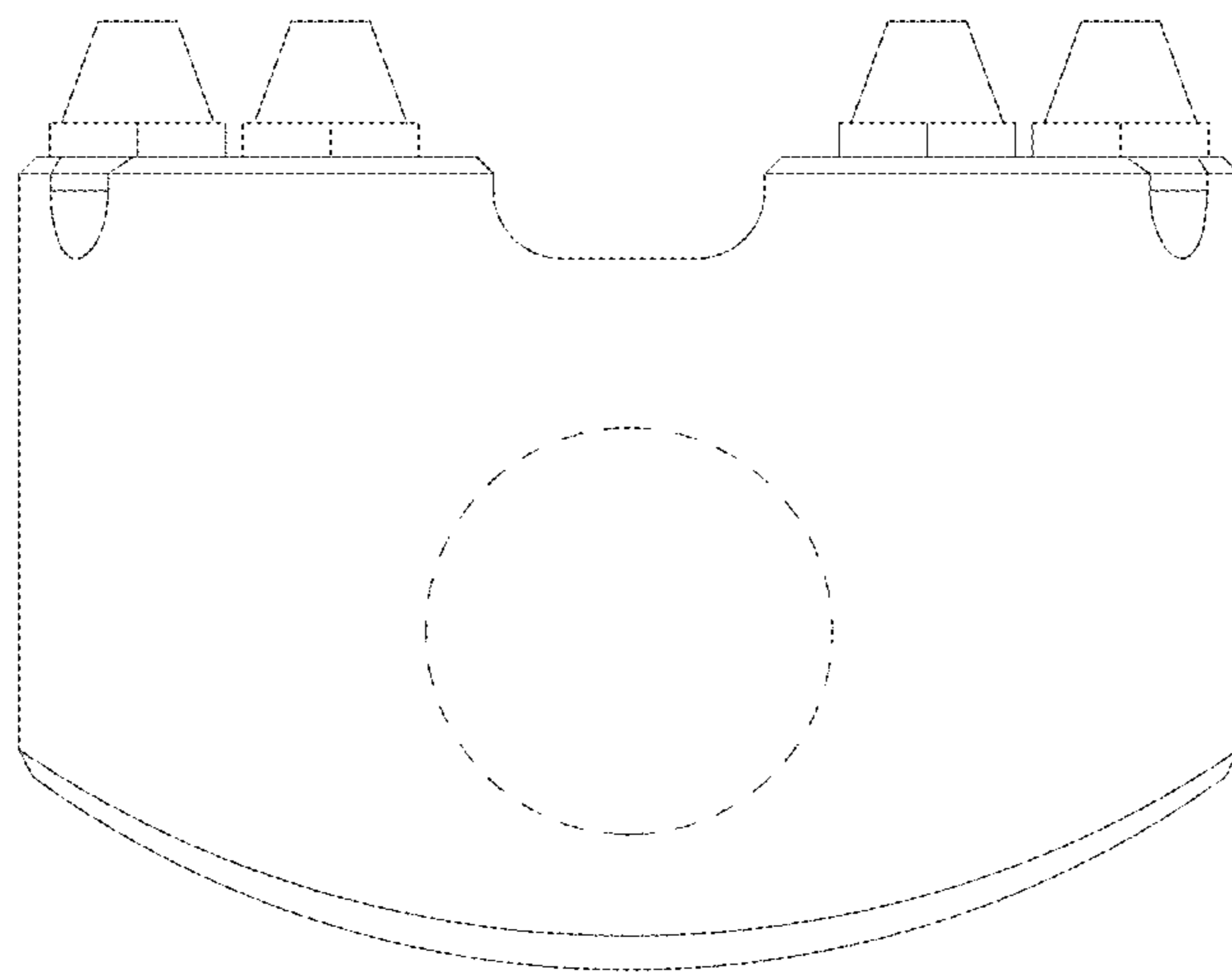


FIG.3

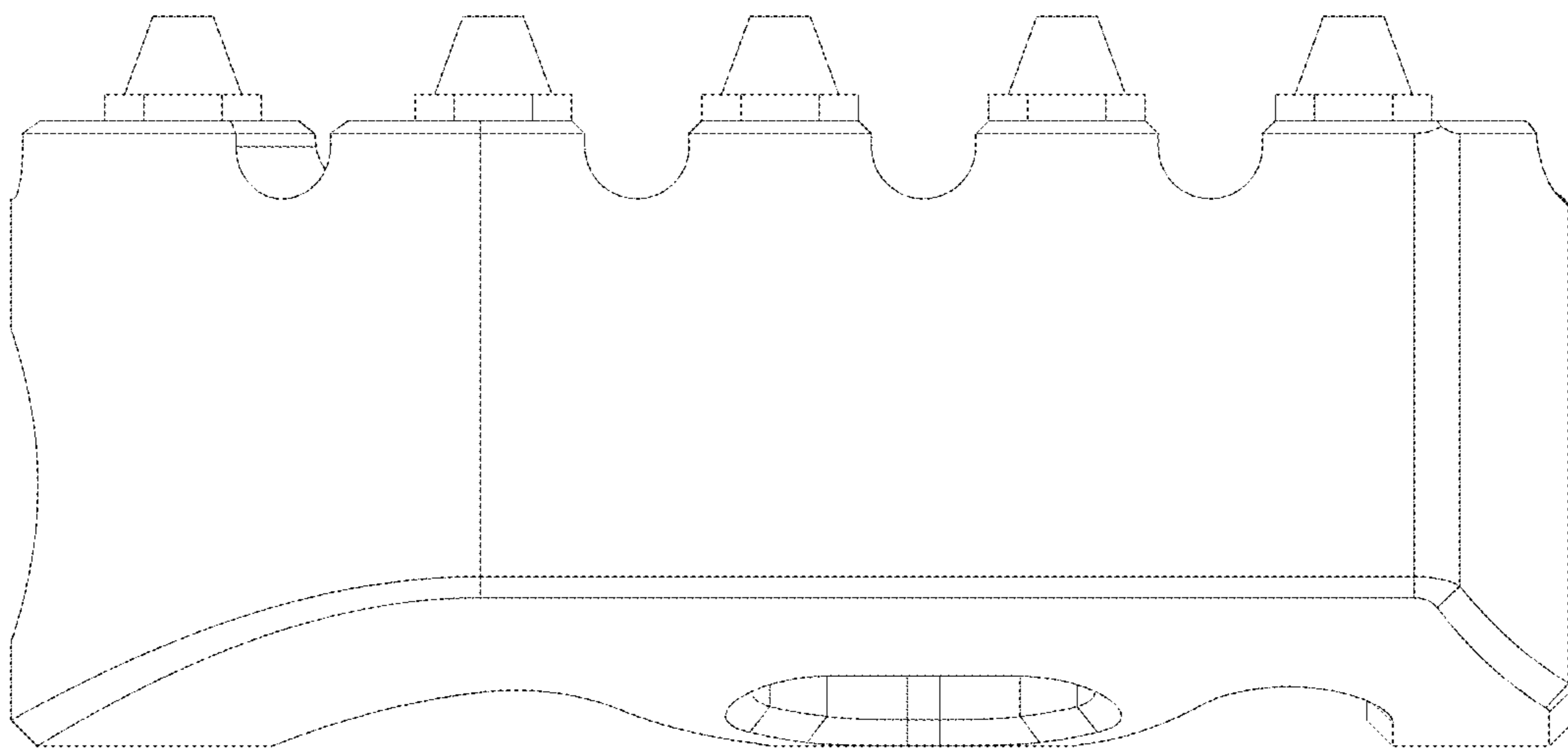


FIG.4

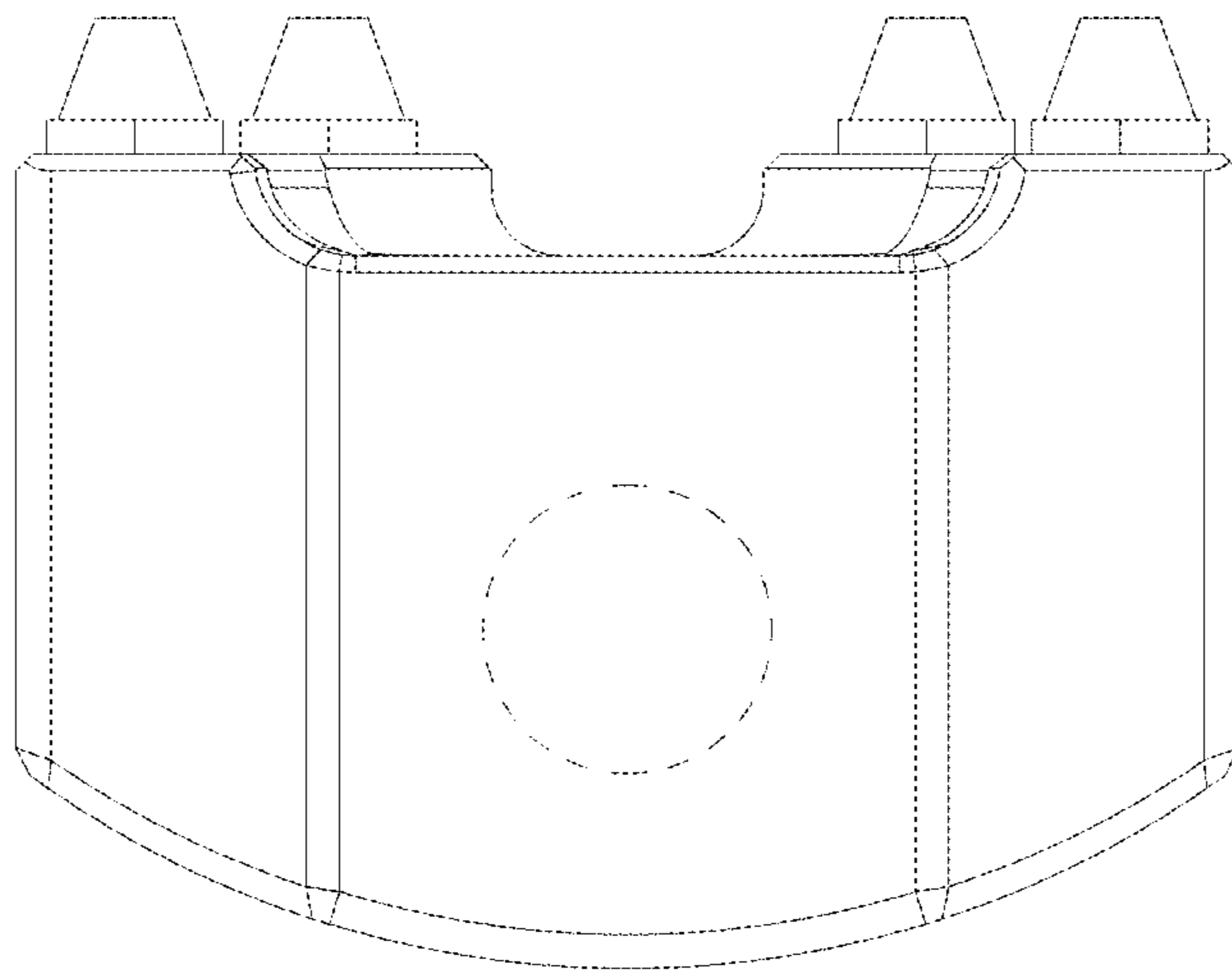


FIG.5

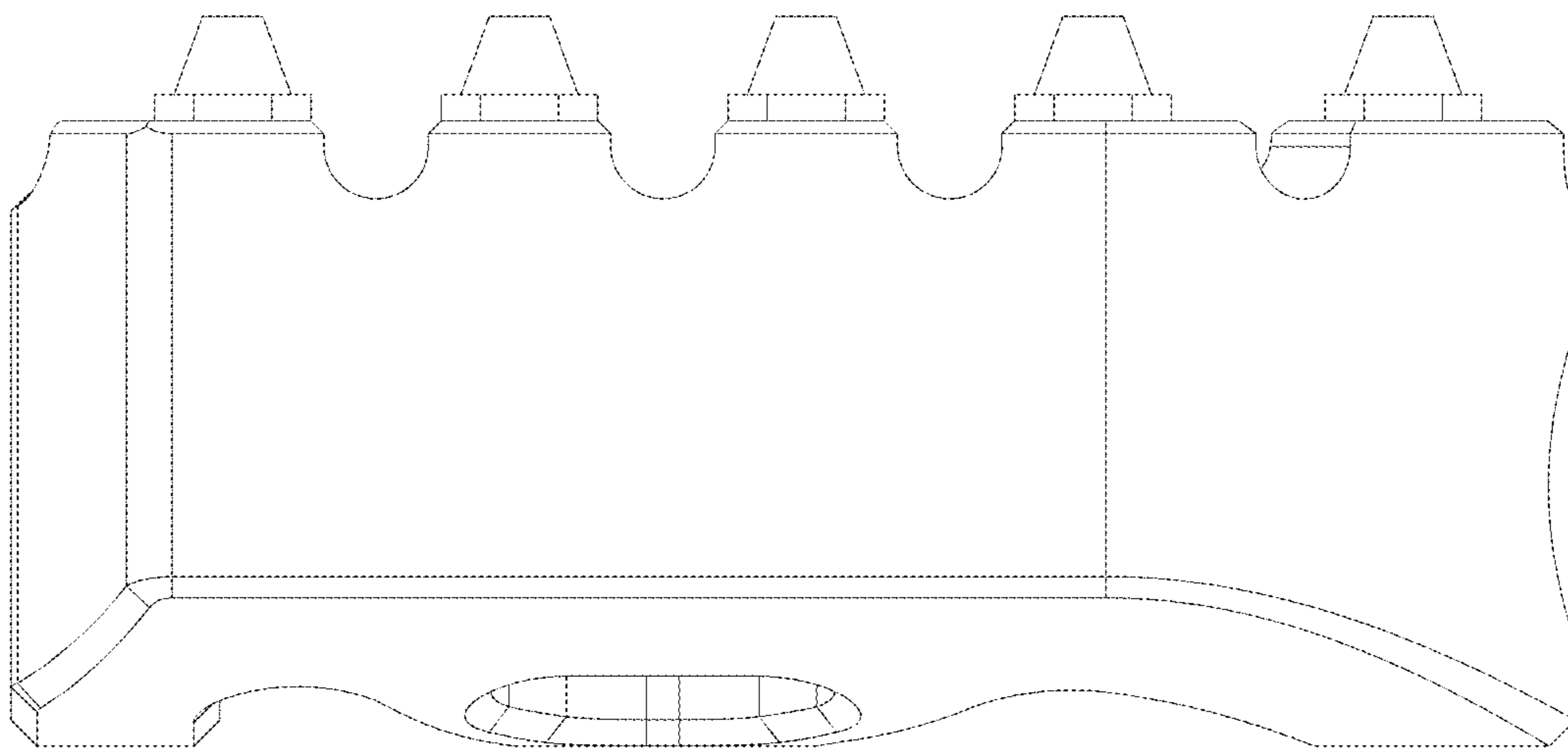


FIG.6

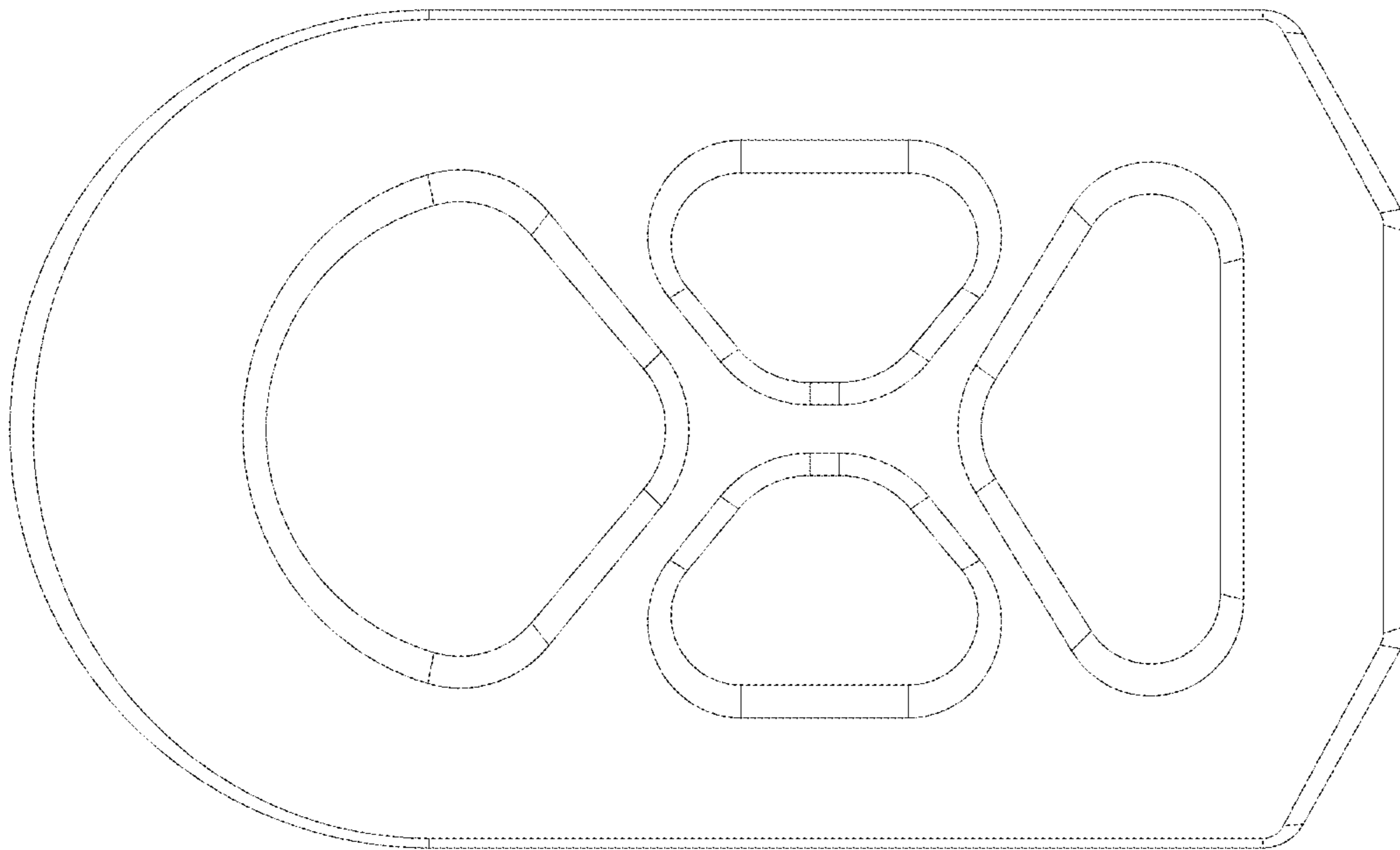


FIG. 7