



US00D908546S

(12) **United States Design Patent**
Calley

(10) **Patent No.:** **US D908,546 S**

(45) **Date of Patent:** **** Jan. 26, 2021**

- (54) **MOTORCYCLE DROP GUARD**
- (71) Applicant: **Jason Calley**, Kingwood, TX (US)
- (72) Inventor: **Jason Calley**, Kingwood, TX (US)
- (**) Term: **15 Years**
- (21) Appl. No.: **29/713,225**
- (22) Filed: **Nov. 14, 2019**
- (51) **LOC (13) Cl.** **12-11**
- (52) **U.S. Cl.**
USPC **D12/114**
- (58) **Field of Classification Search**
USPC D12/110, 114, 117, 123, 126, 127, 194;
D15/5; D21/819, 821
CPC . B62J 27/00; B62J 23/00; B62J 17/00; B62K
11/00; B62K 11/02; B62K 25/02; B62K
21/02
See application file for complete search history.

D862,293 S * 10/2019 McGinley D12/114
D862,294 S * 10/2019 McGinley D12/114
2009/0007720 A1* 1/2009 Tung B62J 23/00
74/551.8

OTHER PUBLICATIONS

“Biker’s Choice Transmission Sprocket Cover” Motosport., posted date unknown [online], [retrieved on Nov. 18, 2020]. Retrieved from the Internet <URL: <https://www.motosport.com/bikers-choice-transmission-sprocket-cover>> (Year: 2020).*

(Continued)

Primary Examiner — Darlington Ly
Assistant Examiner — Nasim Abdulaziz Ali
(74) *Attorney, Agent, or Firm* — The Compton Law Firm, P.C.; Scott D. Compton

(57) **CLAIM**

The ornamental design for a motorcycle drop guard, as shown and described.

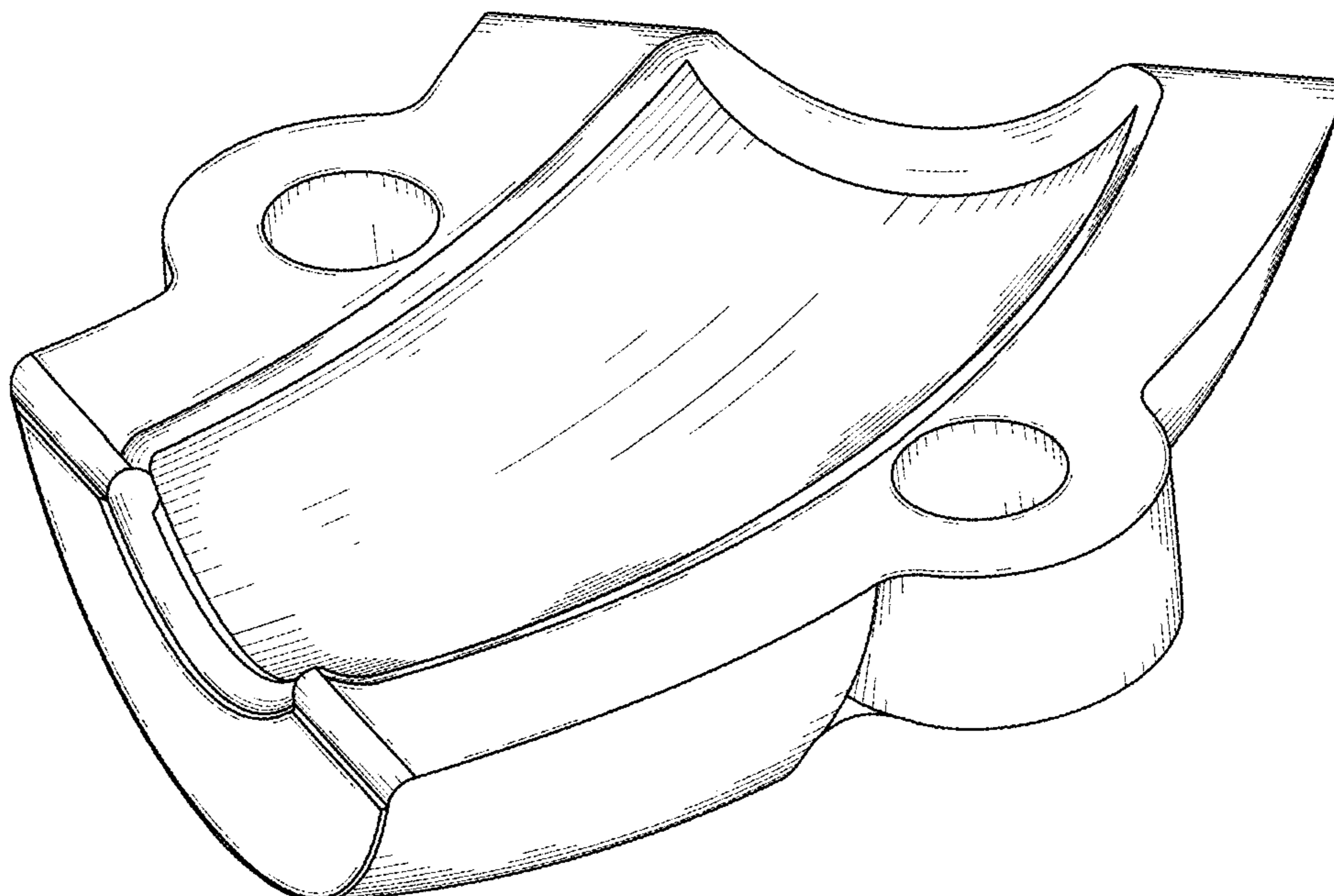
DESCRIPTION

FIG. 1 is a top perspective view of a motorcycle drop guard showing my new design;
FIG. 2 is a bottom perspective view thereof;
FIG. 3 is a front elevation view thereof;
FIG. 4 is a rear elevation view thereof;
FIG. 5 is a top plan view thereof;
FIG. 6 is a bottom plan view thereof;
FIG. 7 is a right elevation view thereof;
FIG. 8 is a left elevation view thereof; and,
FIG. 9 is bottom perspective view thereof, wherein the motorcycle drop guard is shown installed on a motorcycle. In FIG. 9, the broken lines showing the motorcycle are provided for the purpose of illustrating environmental structure and form no part of the claimed design.

1 Claim, 5 Drawing Sheets

(56) **References Cited**
U.S. PATENT DOCUMENTS

D27,105 S *	5/1897	Meilink	D12/117
D294,685 S *	3/1988	Opitz	D12/126
D295,154 S *	4/1988	Opitz	D12/126
D341,343 S *	11/1993	Netz	D12/126
D402,928 S *	12/1998	Swenson	D12/126
D409,119 S *	5/1999	Fervoy	D12/126
D491,112 S *	6/2004	Francis	D12/126
D774,990 S *	12/2016	Calley	D12/126
D774,991 S *	12/2016	Calley	D12/126
D780,638 S *	3/2017	Calley	D12/126
D780,639 S *	3/2017	Calley	D12/126
D831,544 S *	10/2018	Pink	D12/114
D832,151 S *	10/2018	Sassenberg	D12/114
D836,039 S *	12/2018	Kay, II	D12/114
D858,360 S *	9/2019	Tateishi	D12/114



(56)

References Cited

OTHER PUBLICATIONS

“Front Sprocket Cove” Dovewill., posted date unknown [online], [retrieved on Nov. 18, 2020]. Retrieved from the Internet <URL: https://www.aliexpress.com/item/33013424496.html?spm=a2g0o.productlist.0.0.6e38f8das9MUUj&algo_pvid=639be2e5-1da4-4ffe-8151-75e8b9ff5349&algo_expid=639be2e5-1da4-> (Year: 2020).*

“Woodcraft Stator Cover.” Woodcraft., posted date unknown [online], [retrieved on Nov. 18, 2020]. Retrieved from the Internet <URL: <https://www.motosport.com/woodcraft-stator-cover>> (Year: 2020).*

* cited by examiner

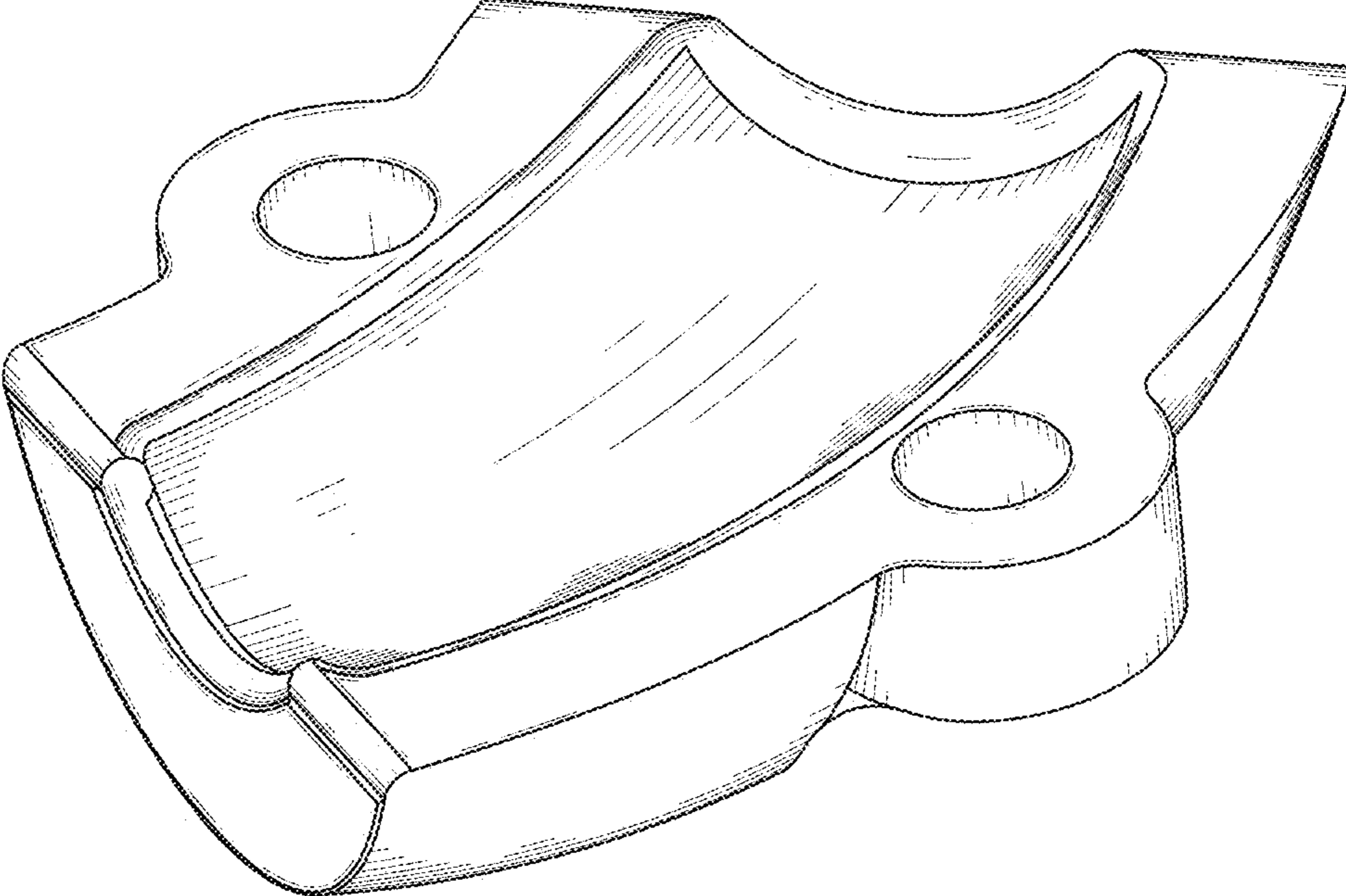


FIG. 1

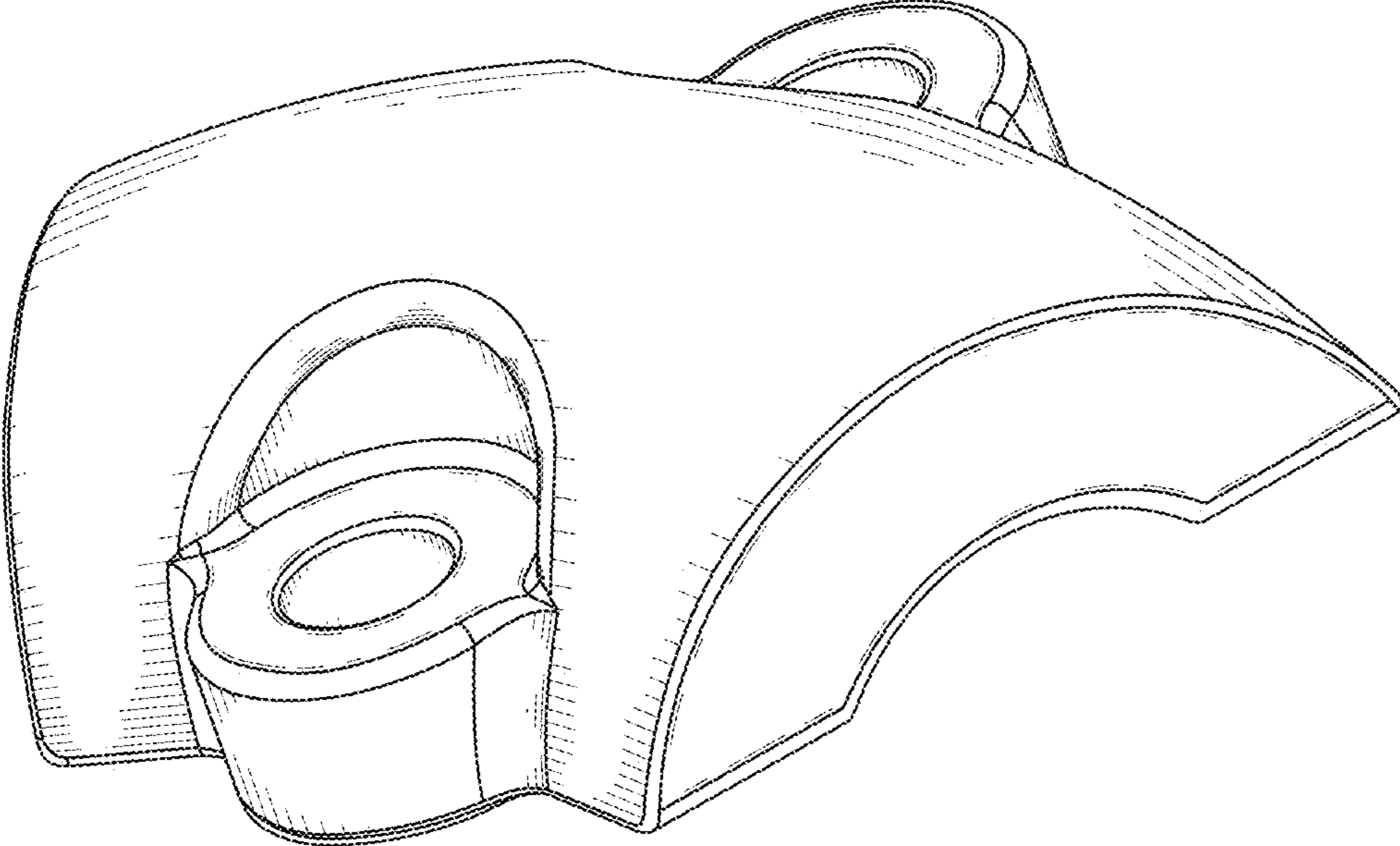


FIG. 2

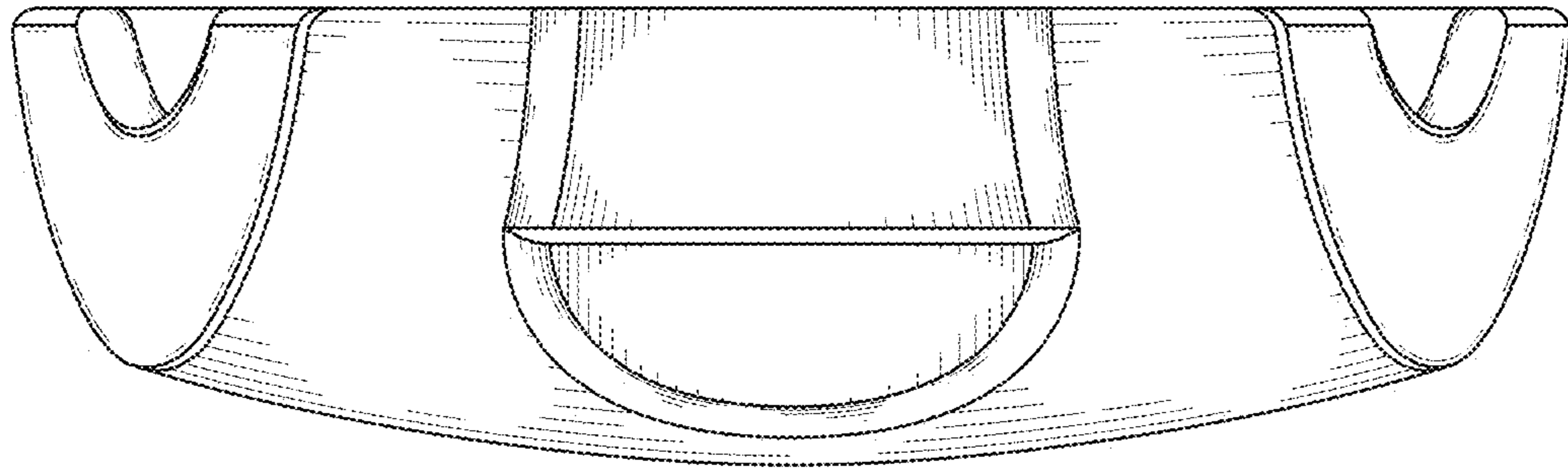


FIG. 3

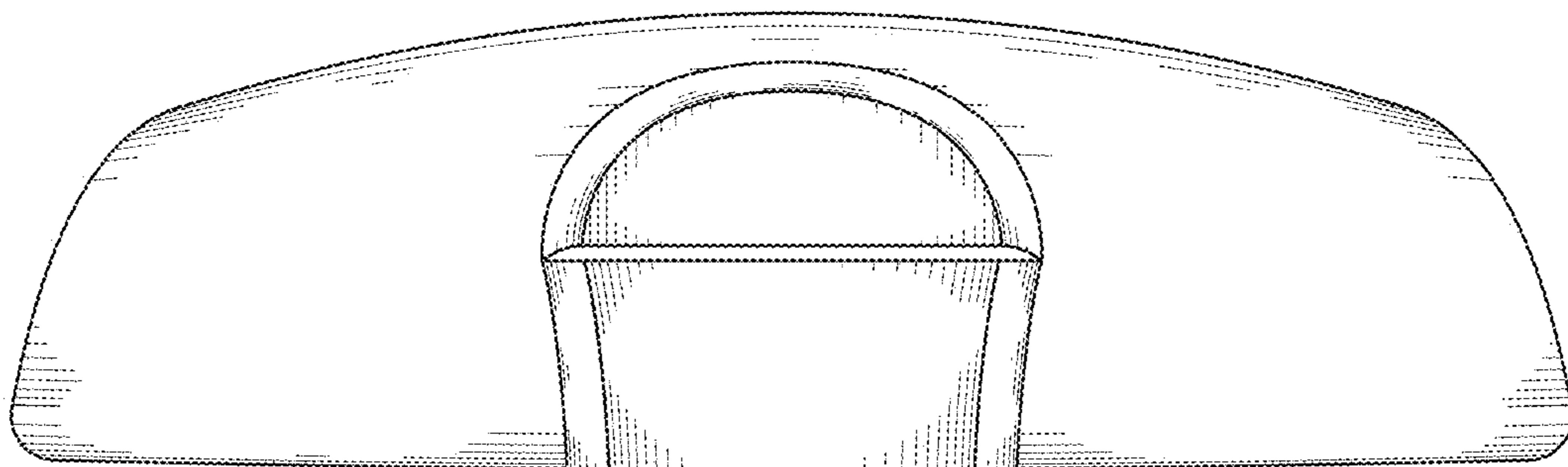


FIG. 4

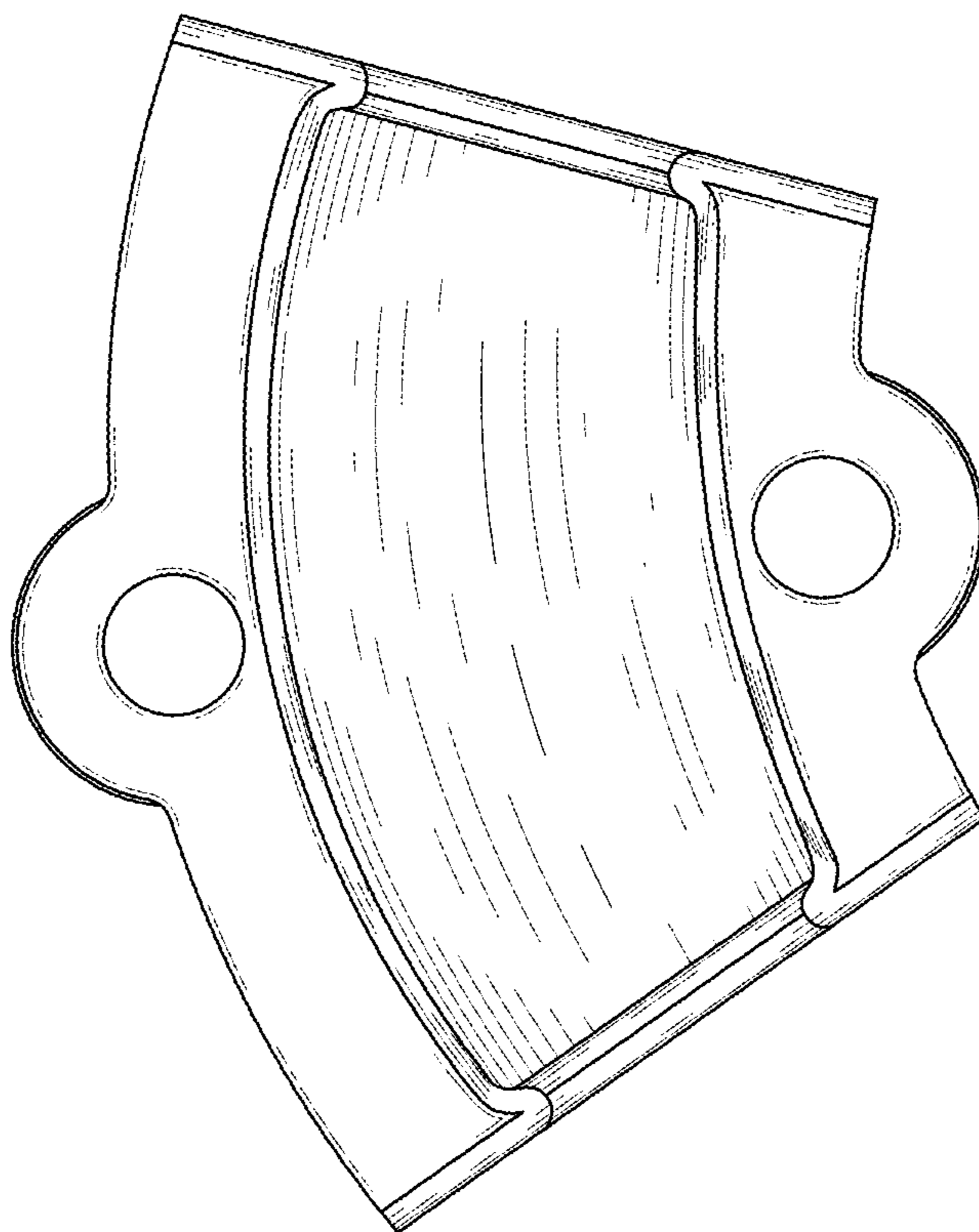


FIG. 5

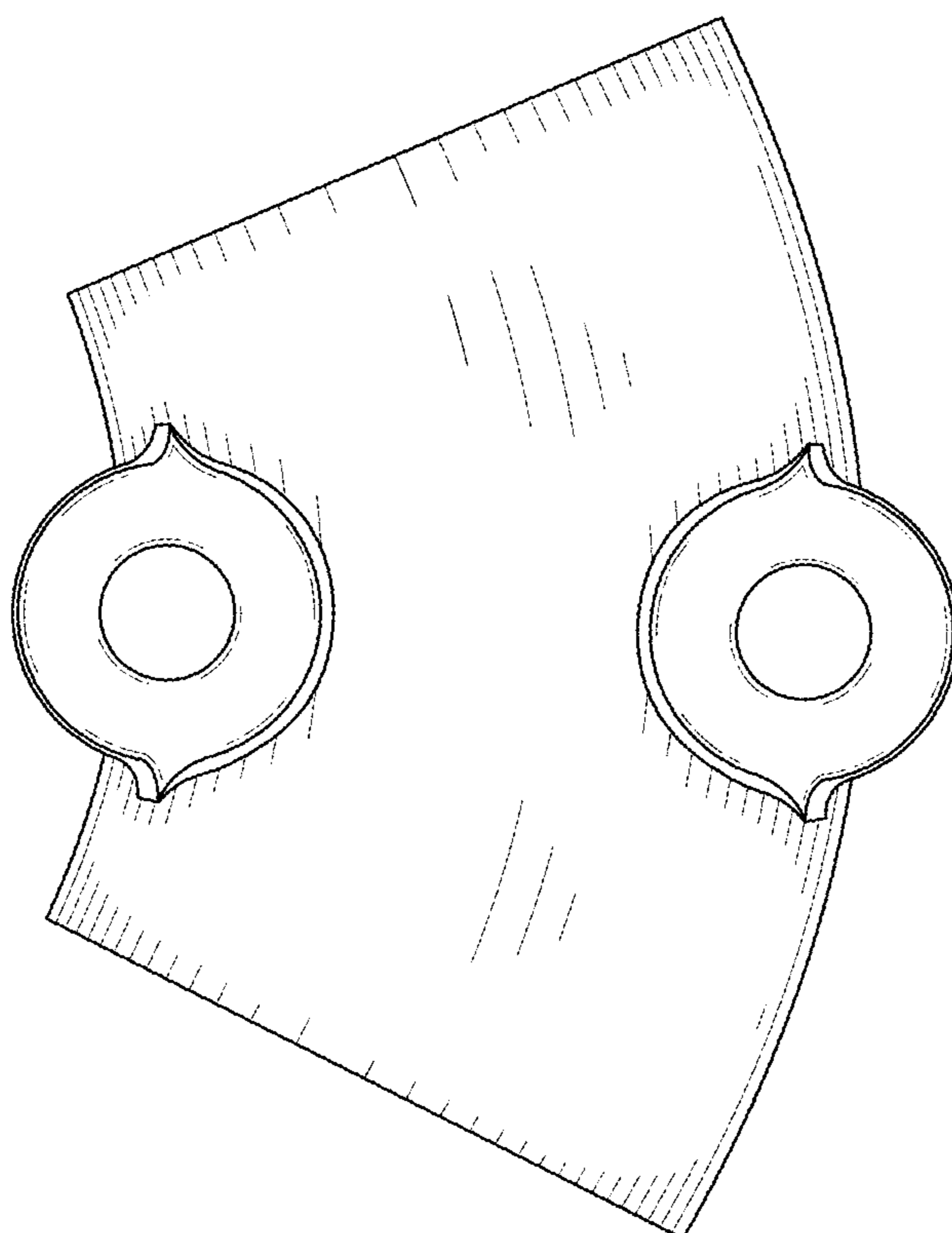


FIG. 6

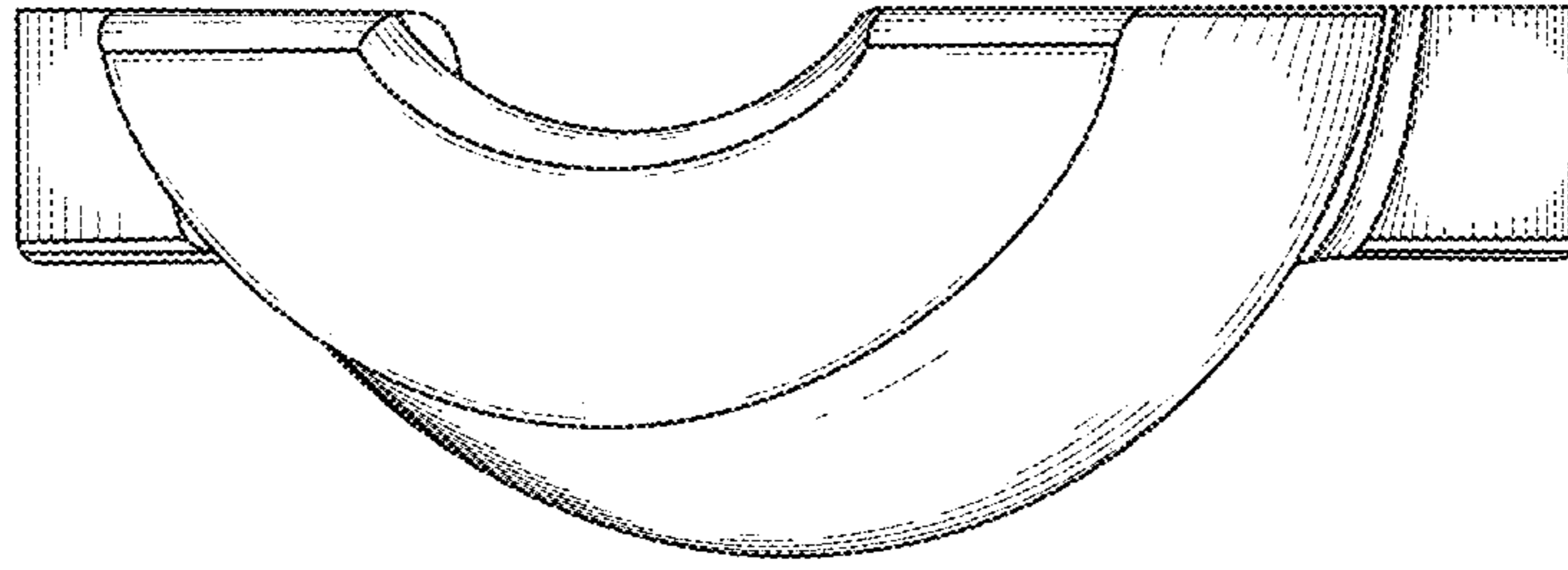


FIG. 7

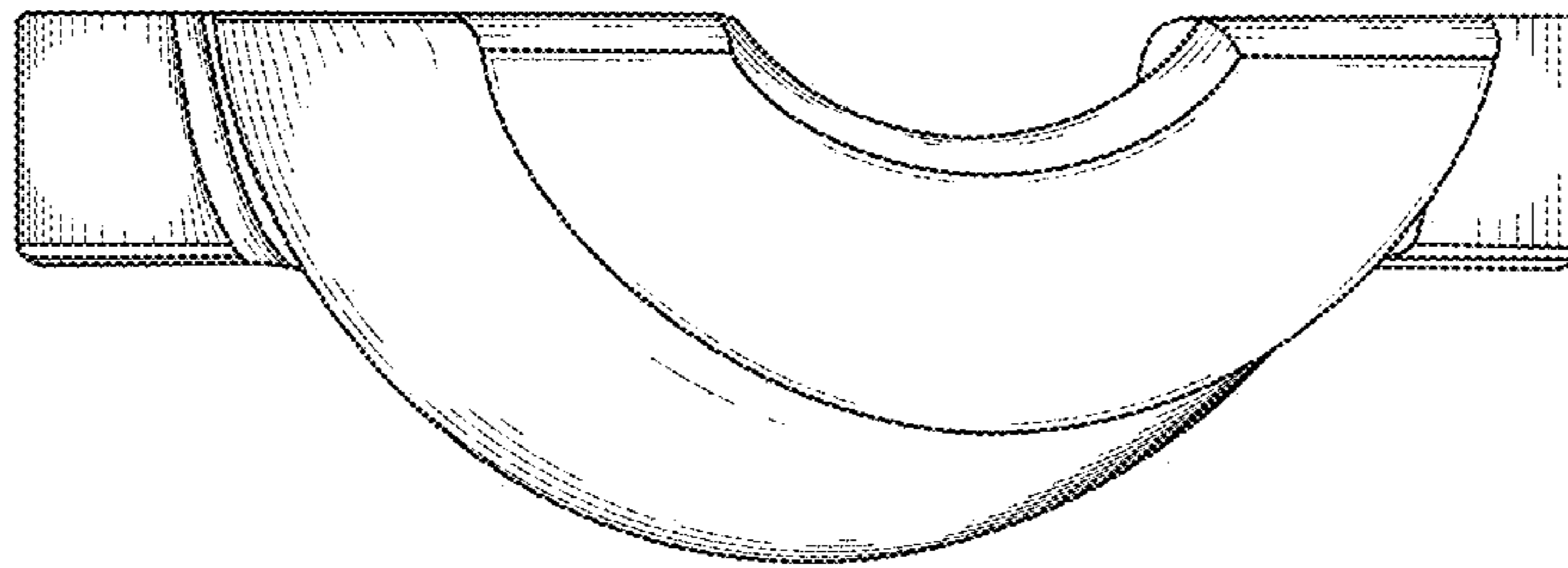


FIG. 8

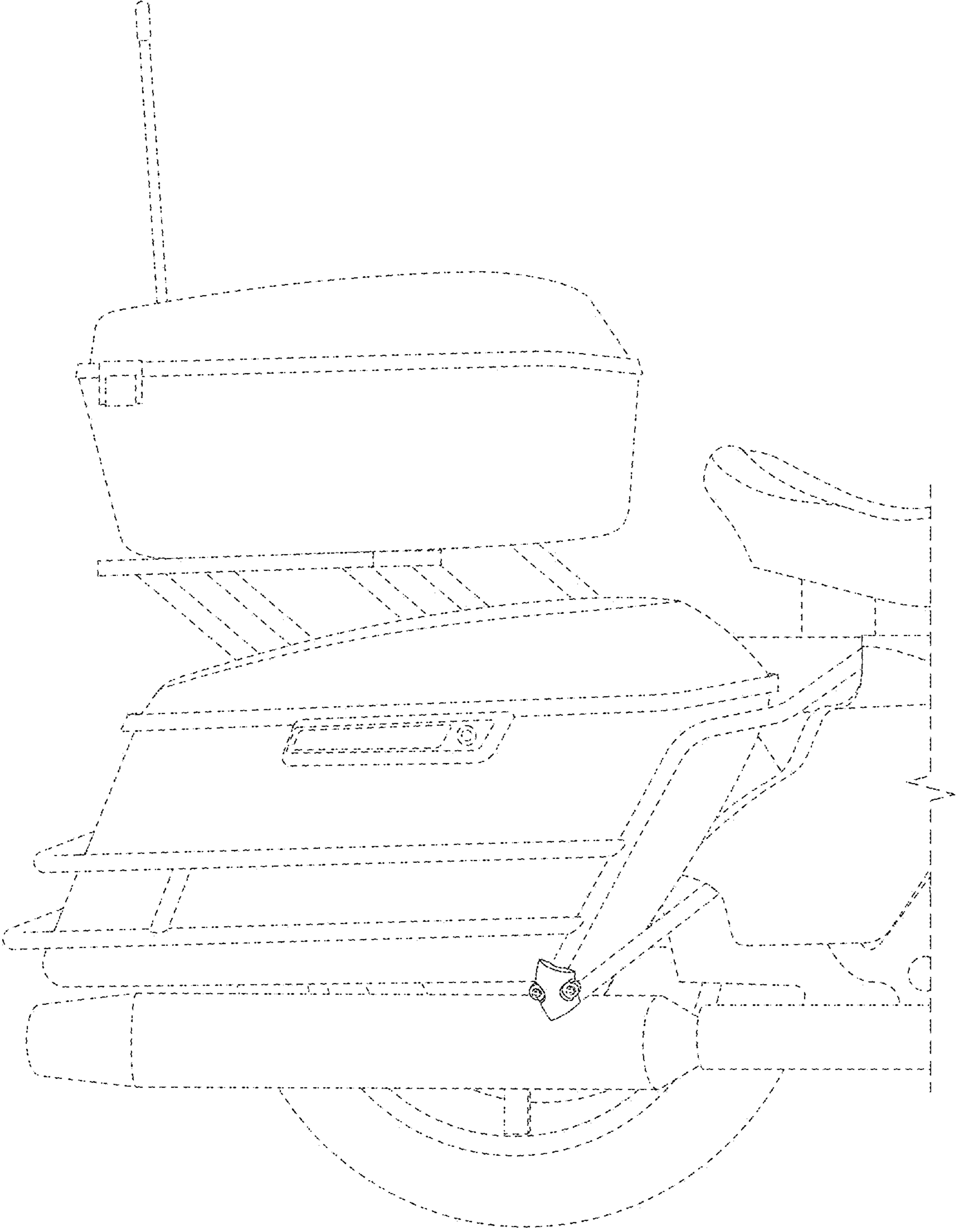


FIG. 9