



US00D908544S

(12) **United States Design Patent** (10) **Patent No.:** **US D908,544 S**  
**Calley** (45) **Date of Patent:** **\*\* Jan. 26, 2021**

(54) **MOTORCYCLE DROP GUARD**

(71) Applicant: **Jason Calley**, Kingwood, TX (US)  
(72) Inventor: **Jason Calley**, Kingwood, TX (US)  
(\*\*) Term: **15 Years**  
(21) Appl. No.: **29/709,829**  
(22) Filed: **Oct. 17, 2019**  
(51) **LOC (13) Cl.** ..... **12-11**  
(52) **U.S. Cl.**  
USPC ..... **D12/114**  
(58) **Field of Classification Search**  
USPC ..... D12/110, 114, 117, 123, 126, 127, 194;  
D15/5; D21/819, 821  
CPC . B62J 27/00; B62J 23/00; B62J 17/00; B62K  
11/00; B62K 11/02; B62K 25/02; B62K  
21/02  
See application file for complete search history.

(56) **References Cited**

**U.S. PATENT DOCUMENTS**

D27,105 S *	5/1897	Meilink .....	D12/117
D294,685 S *	3/1988	Opitz .....	D12/126
D295,154 S *	4/1988	Opitz .....	D12/126
D341,343 S *	11/1993	Netz .....	D12/126
D402,928 S *	12/1998	Swenson .....	D12/126
D409,119 S *	5/1999	Fervoy .....	D12/126
D491,112 S *	6/2004	Francis .....	D12/126
D774,990 S *	12/2016	Calley .....	D12/126
D774,991 S *	12/2016	Calley .....	D12/126
D780,638 S *	3/2017	Calley .....	D12/126
D780,639 S *	3/2017	Calley .....	D12/126
D831,544 S *	10/2018	Pink .....	D12/114
D832,151 S *	10/2018	Sassenberg .....	D12/114
D836,039 S *	12/2018	Kay, II .....	D12/114
D858,360 S *	9/2019	Tateishi .....	D12/114
D862,293 S *	10/2019	McGinley .....	D12/114
D862,294 S *	10/2019	McGinley .....	D12/114
2009/0007720 A1 *	1/2009	Tung .....	B62J 23/00 74/551.8

**OTHER PUBLICATIONS**

“Biker’s Choice Transmission Sprocket Cover” Motosport., posted date unknown [online], [retrieved on Nov. 18, 2020]. Retrieved from the Internet <URL: <https://www.motosport.com/bikers-choice-transmission-sprocket-cover>> (Year: 2020).\*  
(Continued)

*Primary Examiner* — Darlington Ly  
*Assistant Examiner* — Nasim Abdulaziz Ali  
(74) *Attorney, Agent, or Firm* — The Compton Law Firm, P.C.; Scott D. Compton

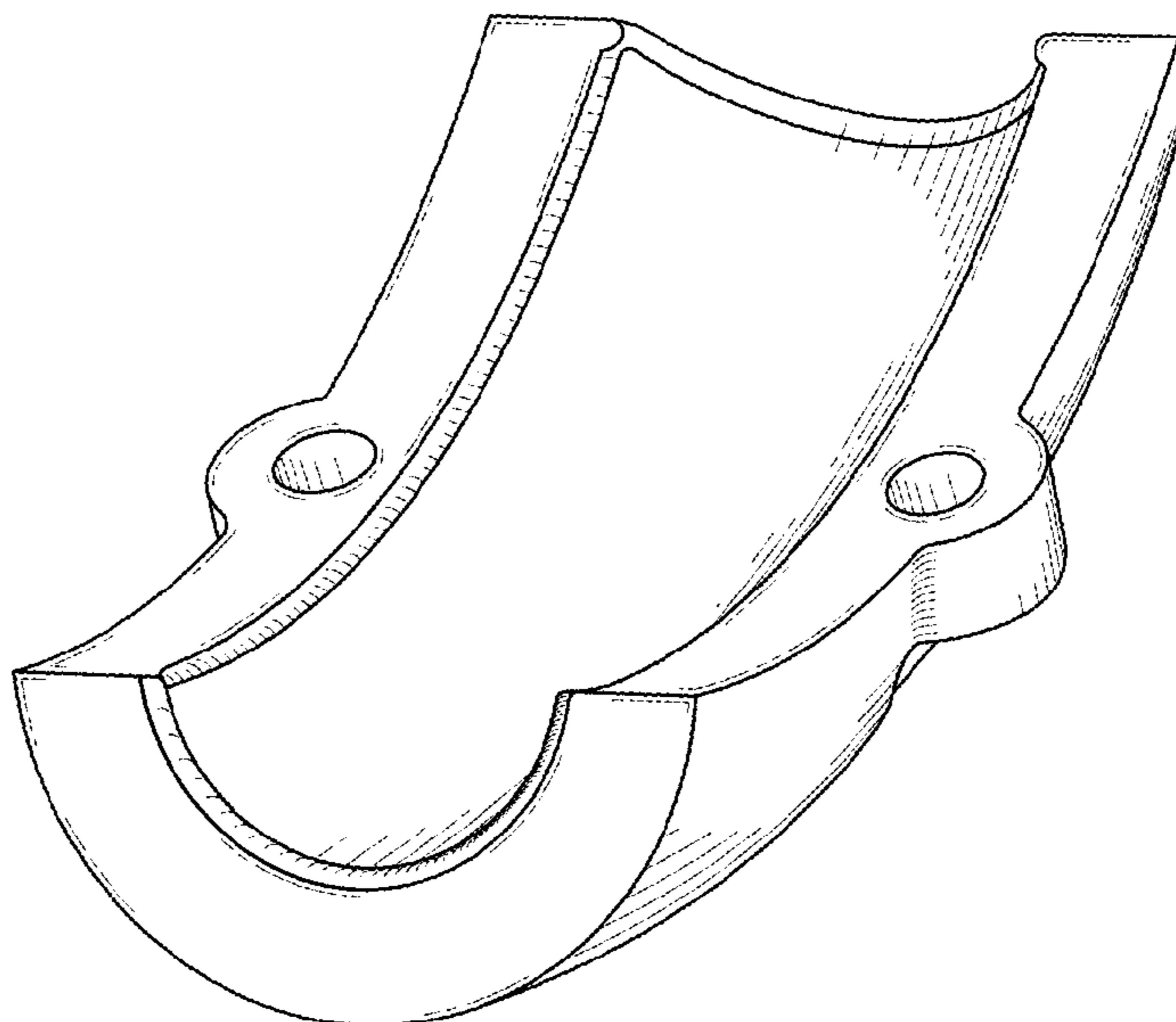
(57) **CLAIM**

The ornamental design for a motorcycle drop guard, as shown and described.

**DESCRIPTION**

FIG. 1 is a top perspective view of a motorcycle drop guard showing my new design;  
FIG. 2 is a bottom perspective view thereof;  
FIG. 3 is a front elevation view thereof;  
FIG. 4 is a rear elevation view thereof;  
FIG. 5 is a bottom plan view thereof;  
FIG. 6 is a top plan view thereof;  
FIG. 7 is a right elevation view thereof; and  
FIG. 8 is a left elevation view thereof;  
FIG. 9 is a top perspective view thereof, wherein the motorcycle drop guard is shown in conjunction with supporting environmental structure; and,  
FIG. 10 is a bottom perspective view thereof, wherein the motorcycle drop guard is shown installed on a motorcycle. In FIGS. 9 and 10, the broken lines showing the supporting structures and motorcycle are provided for the purposes of illustrating environmental structure and form no part of the claimed design.

**1 Claim, 6 Drawing Sheets**



(56)

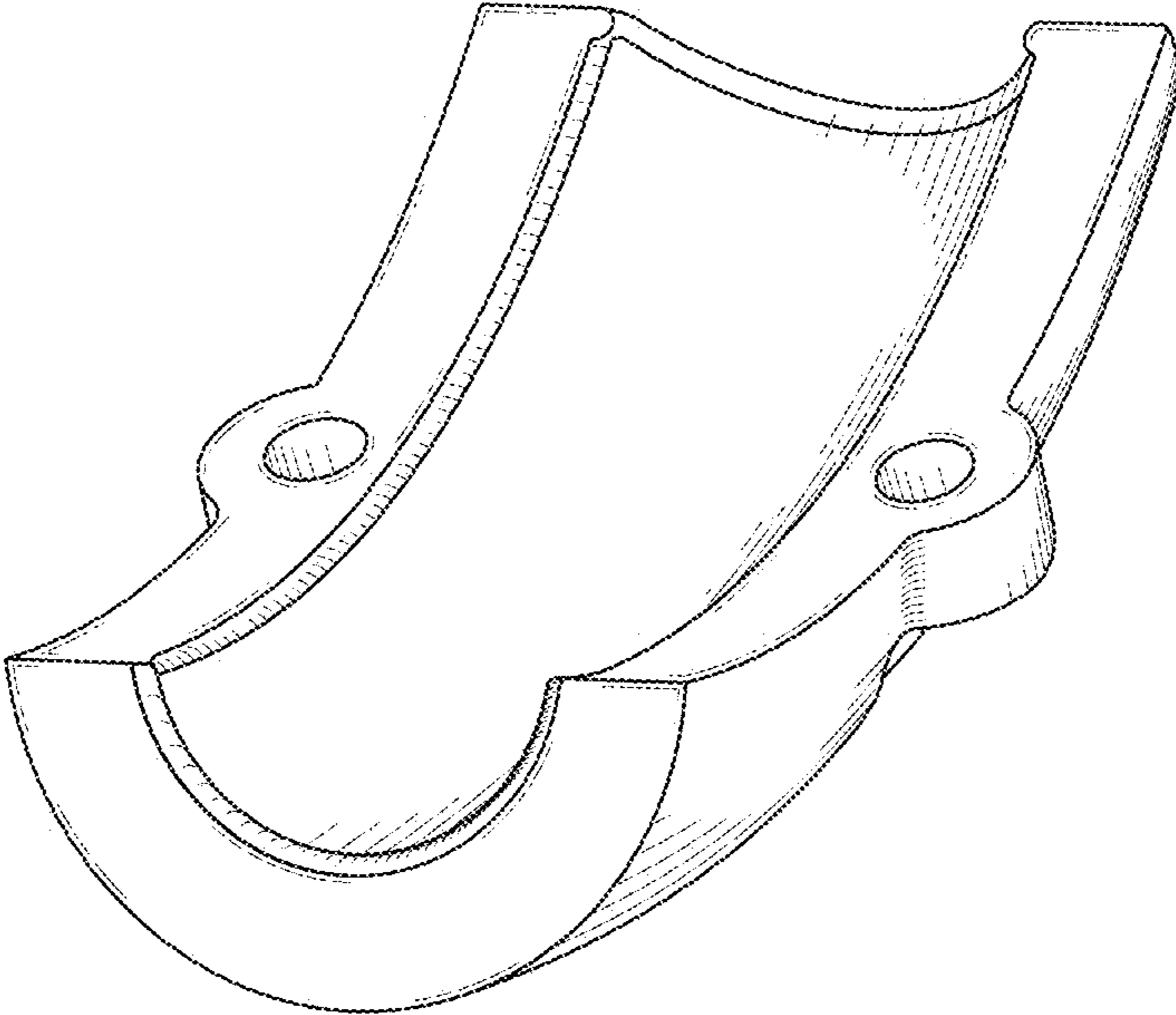
**References Cited**

OTHER PUBLICATIONS

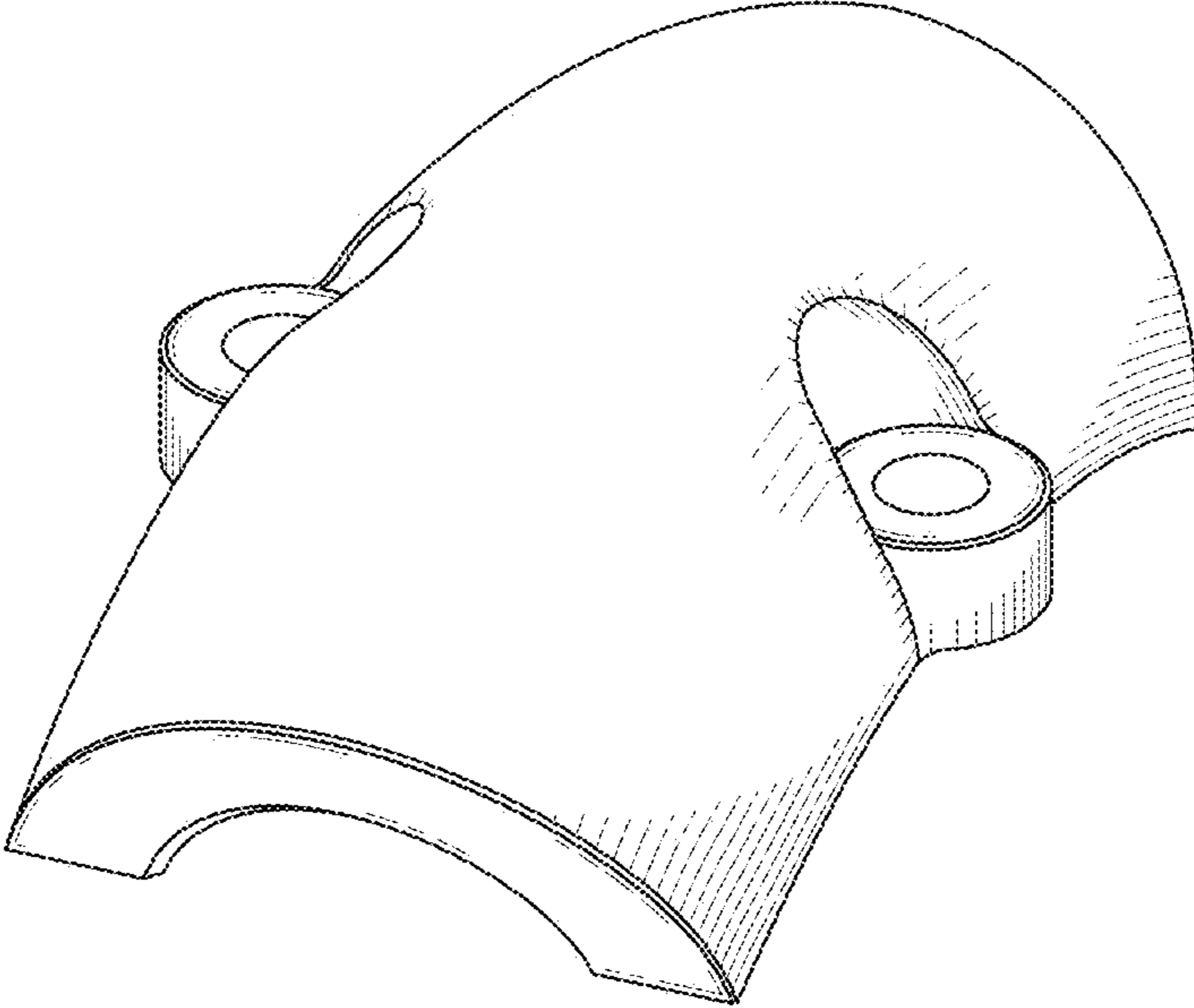
“Front Sprocket Cove” Dovewill., posted date unknown [online], [retrieved on Nov. 18, 2020]. Retrieved from the Internet <URL: [https://www.aliexpress.com/item/33013424496.html?spm=a2g0o.productlist.0.0.6e38f8das9MUUj&algo\\_pvid=639be2e5-1da4-4ffe-8151-75e8b9ff5349&algo\\_expid=639be2e5-1da4->](https://www.aliexpress.com/item/33013424496.html?spm=a2g0o.productlist.0.0.6e38f8das9MUUj&algo_pvid=639be2e5-1da4-4ffe-8151-75e8b9ff5349&algo_expid=639be2e5-1da4->) (Year: 2020).\*

“Woodcraft Stator Cover.” Woodcraft., posted date unknown [online], [retrieved on Nov. 18, 2020]. Retrieved from the Internet <URL: <https://www.motosport.com/woodcraft-stator-cover>> (Year: 2020).\*

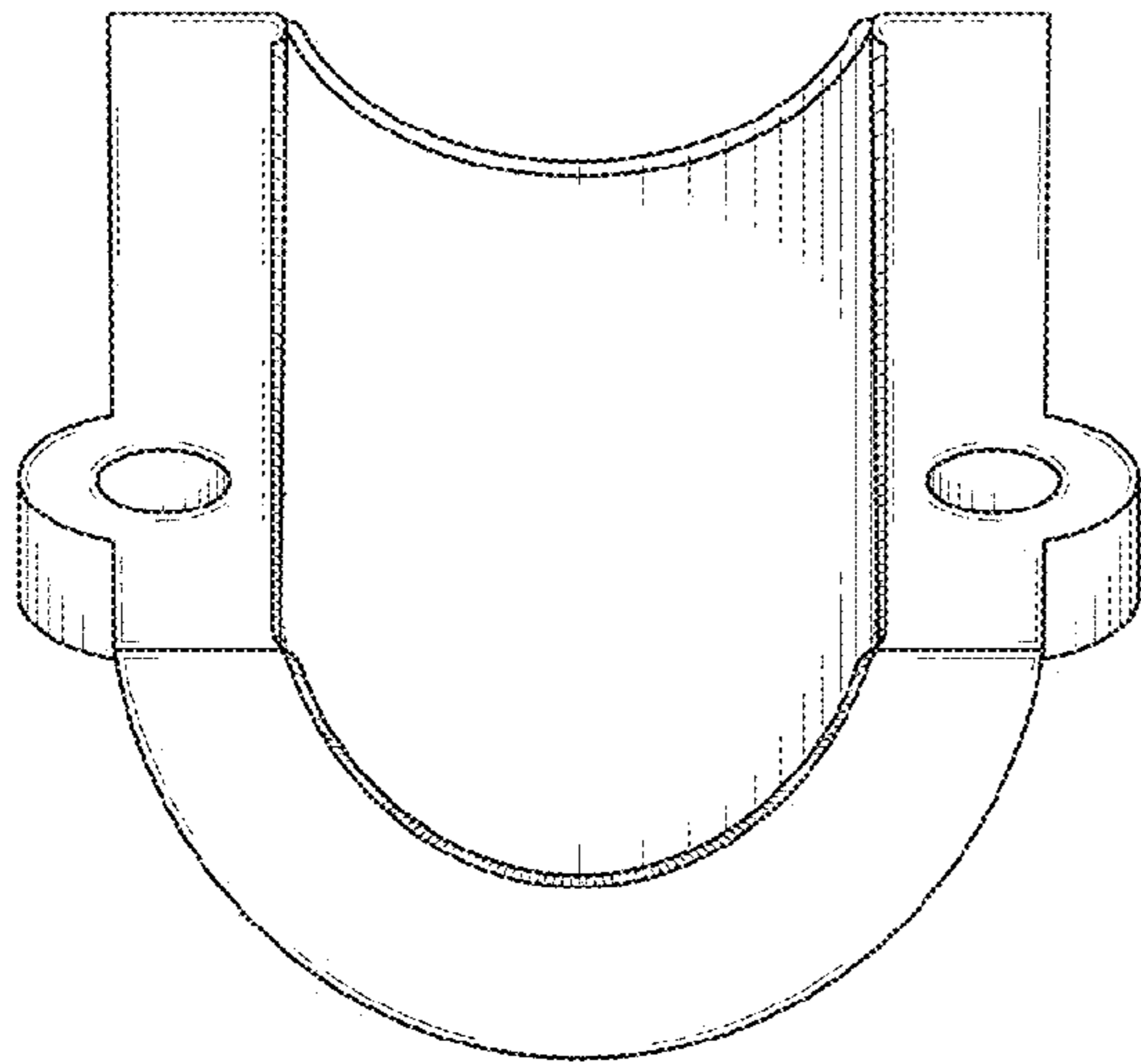
\* cited by examiner



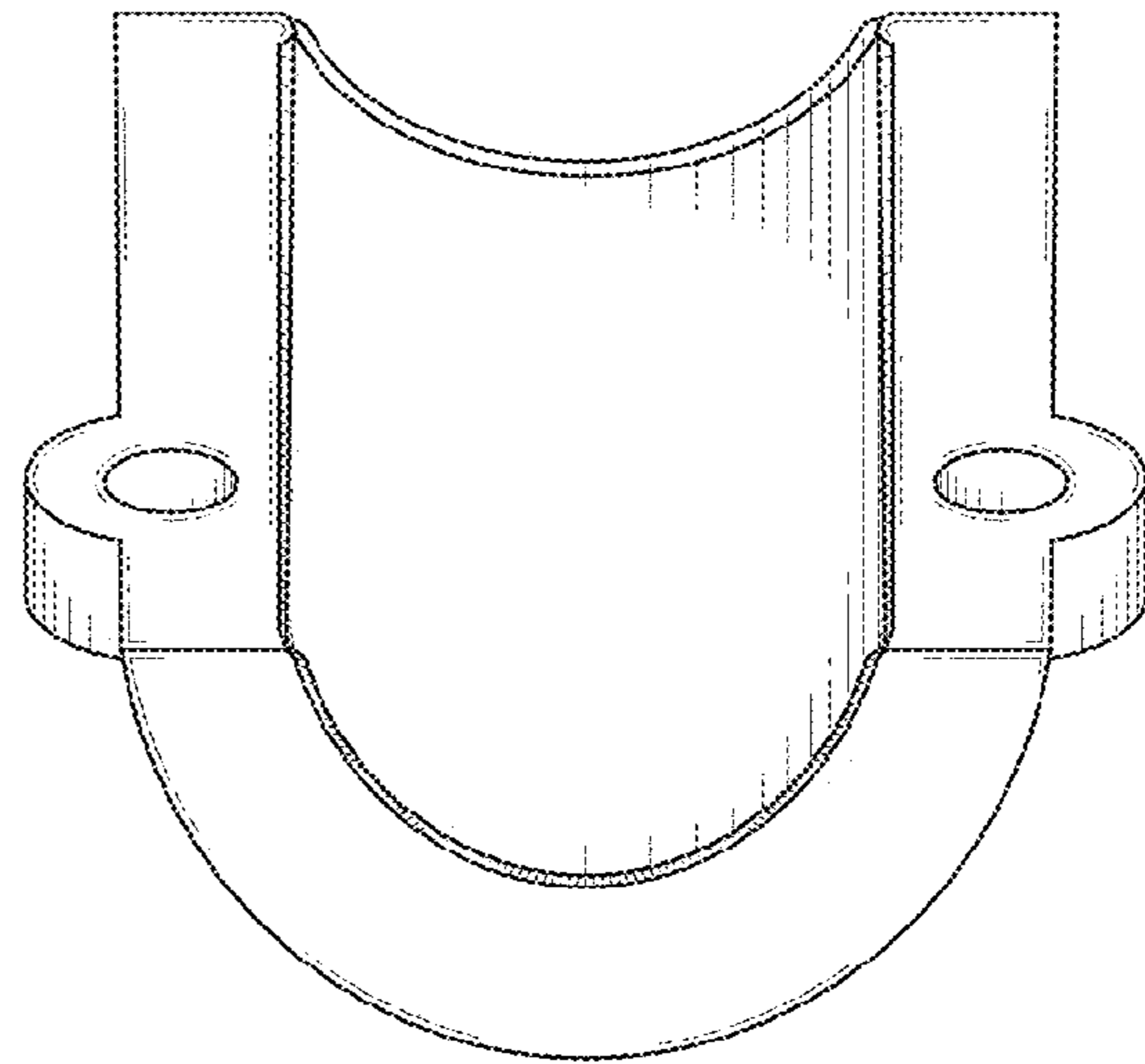
**FIG. 1**



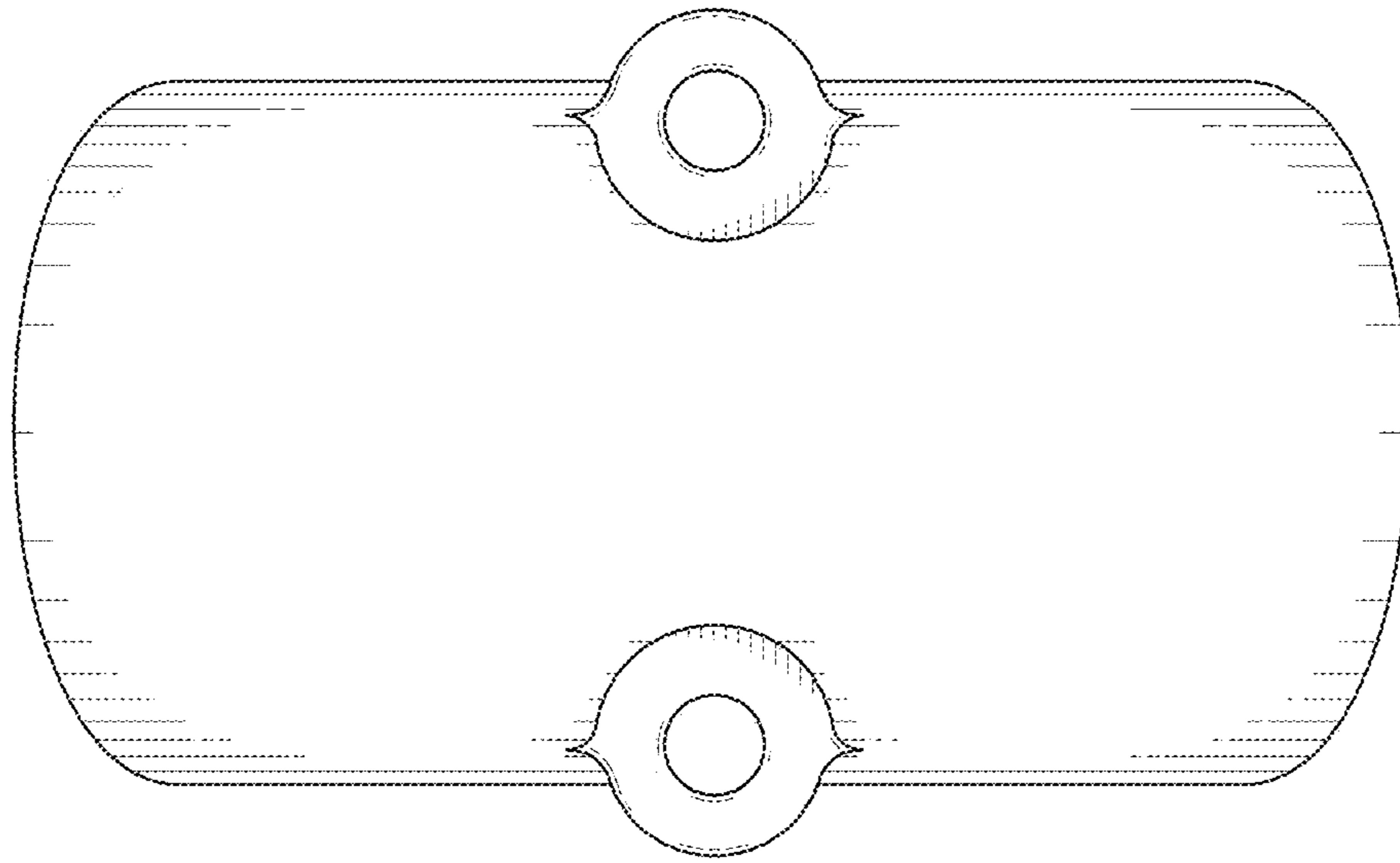
**FIG. 2**



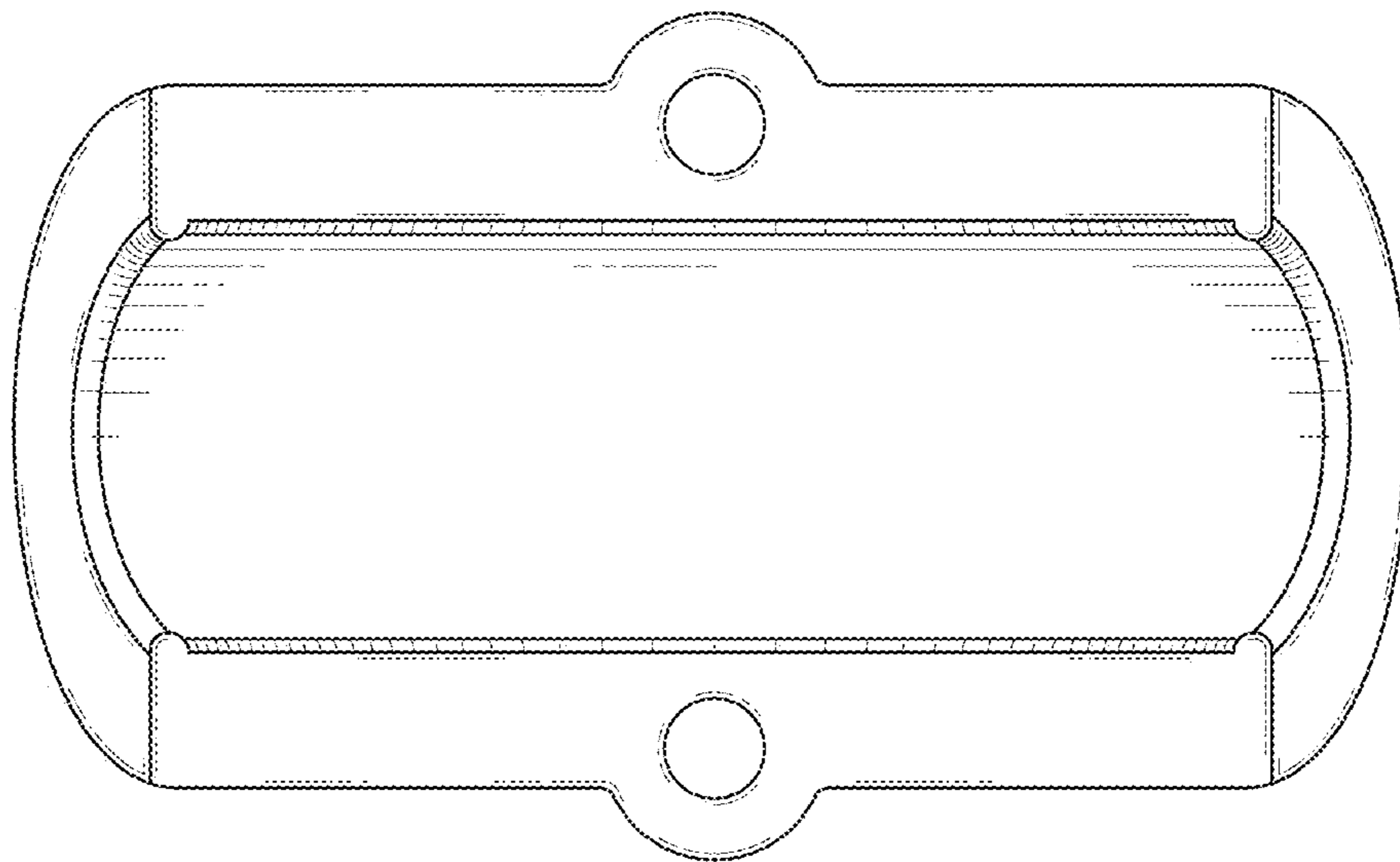
**FIG. 3**



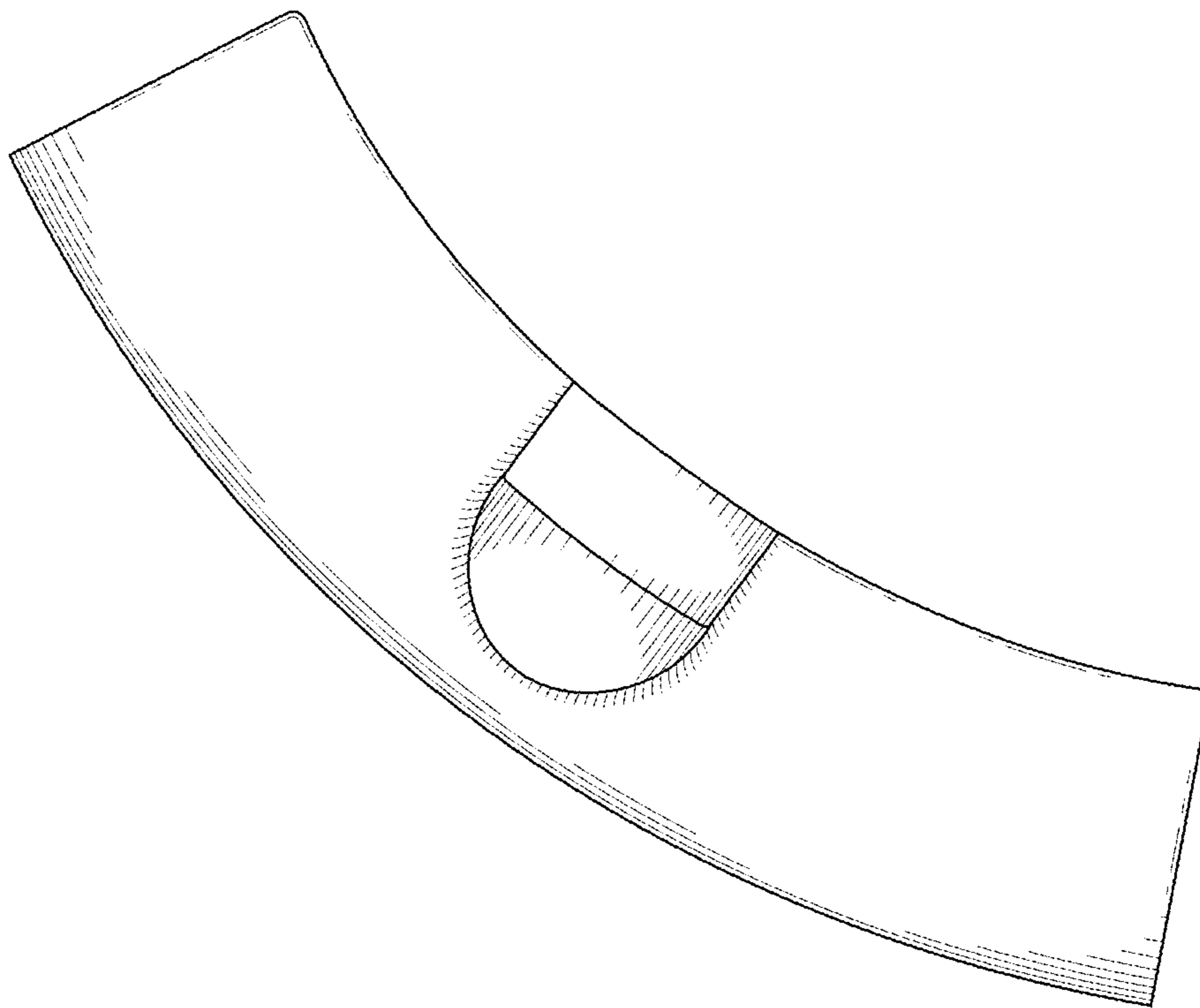
**FIG. 4**



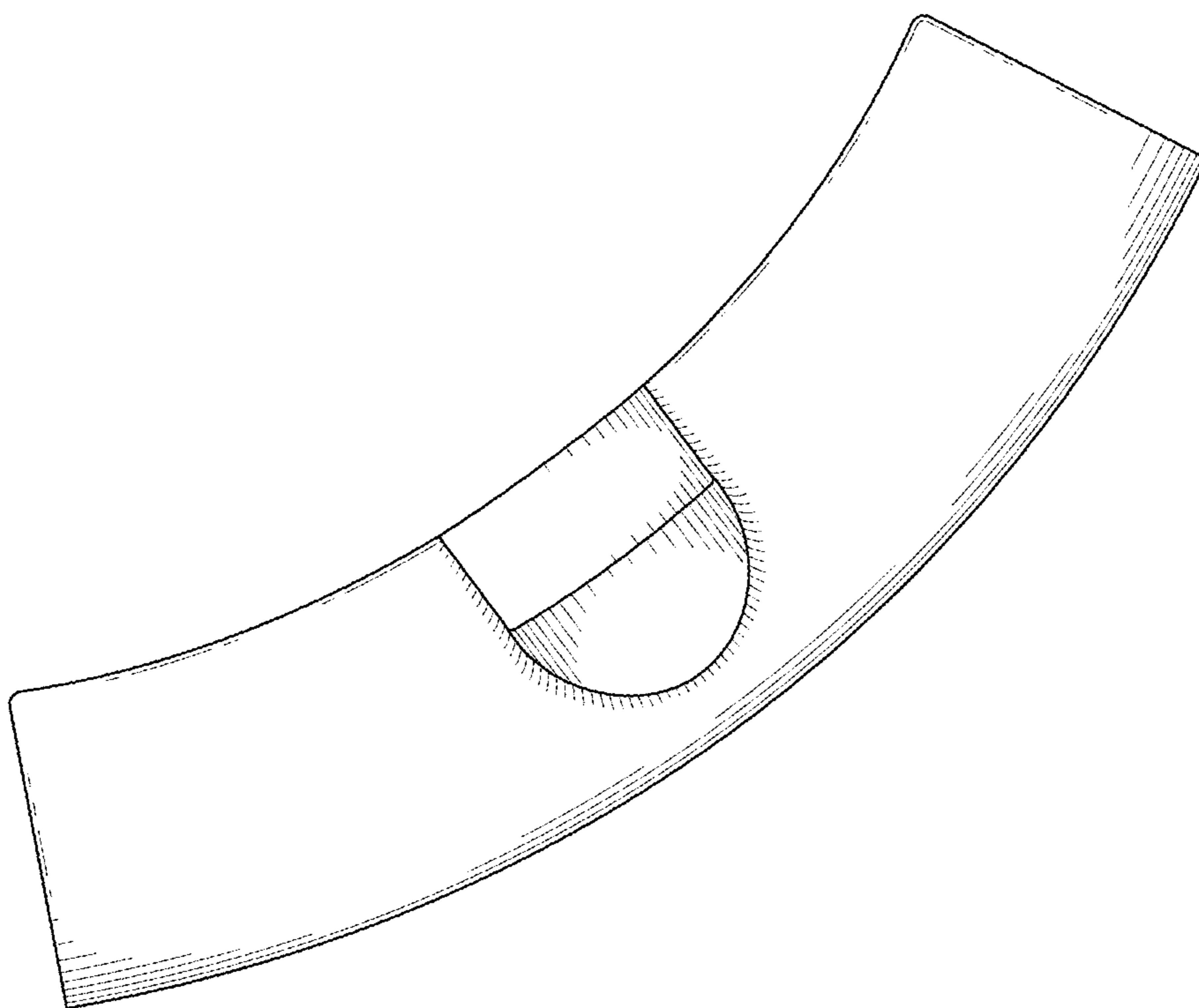
**FIG. 5**



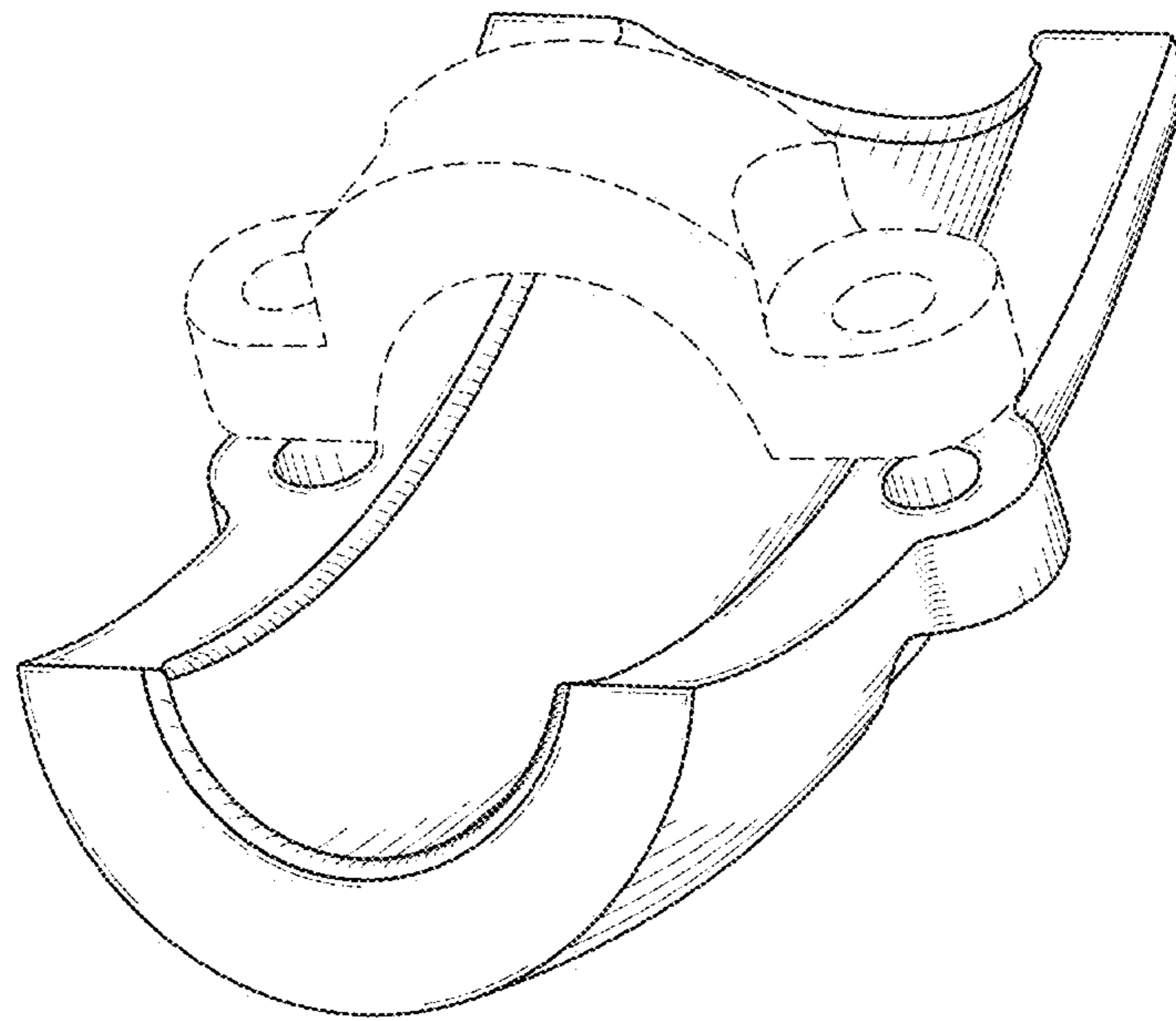
**FIG. 6**



**FIG. 7**



**FIG. 8**



**FIG. 9**

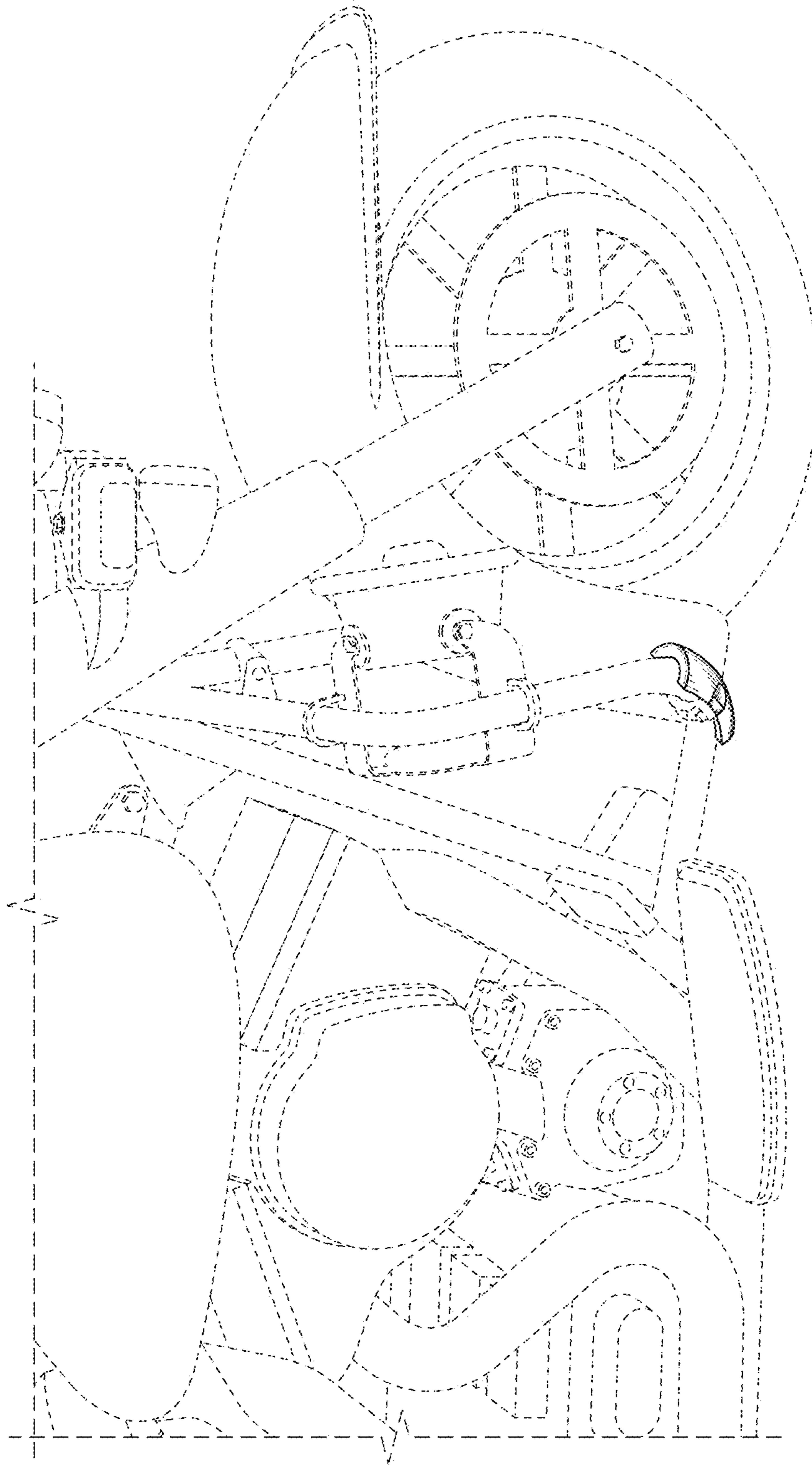


FIG. 10