



US00D908543S

(12) **United States Design Patent** (10) **Patent No.:** **US D908,543 S**
Richard et al. (45) **Date of Patent:** **** Jan. 26, 2021**

(54) **FRAME FOR CYCLE**

(71) Applicant: **BIROTA**, Vanves (FR)

(72) Inventors: **Arthur Richard**, Paris (FR); **Thibaut Barbedette**, Paris (FR)

(73) Assignee: **BIROTA**, Vanves (FR)

(**) Term: **15 Years**

(21) Appl. No.: **35/507,556**

(22) Filed: **Sep. 18, 2019**

(80) **Hague Agreement Data**

Int. Filing Date: **Mar. 18, 2019**

Int. Reg. No.: **DM/203443**

Int. Reg. Date: **Sep. 18, 2019**

Int. Reg. Pub. Date: **Oct. 25, 2019**

(30) **Foreign Application Priority Data**

Sep. 18, 2018 (EM) EM005646627-0001

Sep. 18, 2018 (EM) EM005646627-0002

(51) **LOC (13) Cl.** **12-11**

(52) **U.S. Cl.**
USPC **D12/111**

(58) **Field of Classification Search**
USPC D12/111
CPC G06F 3/02; B60G 13/14; F16H 3/083;
B62M 6/45; G08G 1/20; G01S 19/01;
B62K 25/005; B62K 25/30

See application file for complete search history.

(56) **References Cited**

U.S. PATENT DOCUMENTS

7,195,088	B2 *	3/2007	Matsueda	B62K 25/30 180/206.5
7,338,059	B2 *	3/2008	Sugimoto	B62K 25/005 180/206.4
D626,893	S *	11/2010	Chiu	D12/111
8,738,212	B1 *	5/2014	Schieffelin	G01S 19/01 701/22
D774,966	S *	12/2016	Finbow	D12/111
9,569,966	B2 *	2/2017	Bobbitt	G08G 1/20
9,656,672	B2 *	5/2017	Schieffelin	B62M 6/45
10,486,767	B1 *	11/2019	Schieffelin	B60G 13/14
10,569,835	B2 *	2/2020	Niki	F16H 3/083
D876,991	S *	3/2020	Tsai	D12/111
10,647,381	B2 *	5/2020	Durdevic	G06F 3/02

* cited by examiner

Primary Examiner — George D. Kirschbaum

(74) *Attorney, Agent, or Firm* — Egbert, McDaniel & Swartz, PLLC

(57) **CLAIM**

The ornamental design for a frame for cycle, as shown and described.

DESCRIPTION

FIGURE 1.1 is a perspective view of a frame for cycle showing our new design.

FIGURE 1.2 is a rear view thereof;

FIGURE 1.3 is left side view thereof;

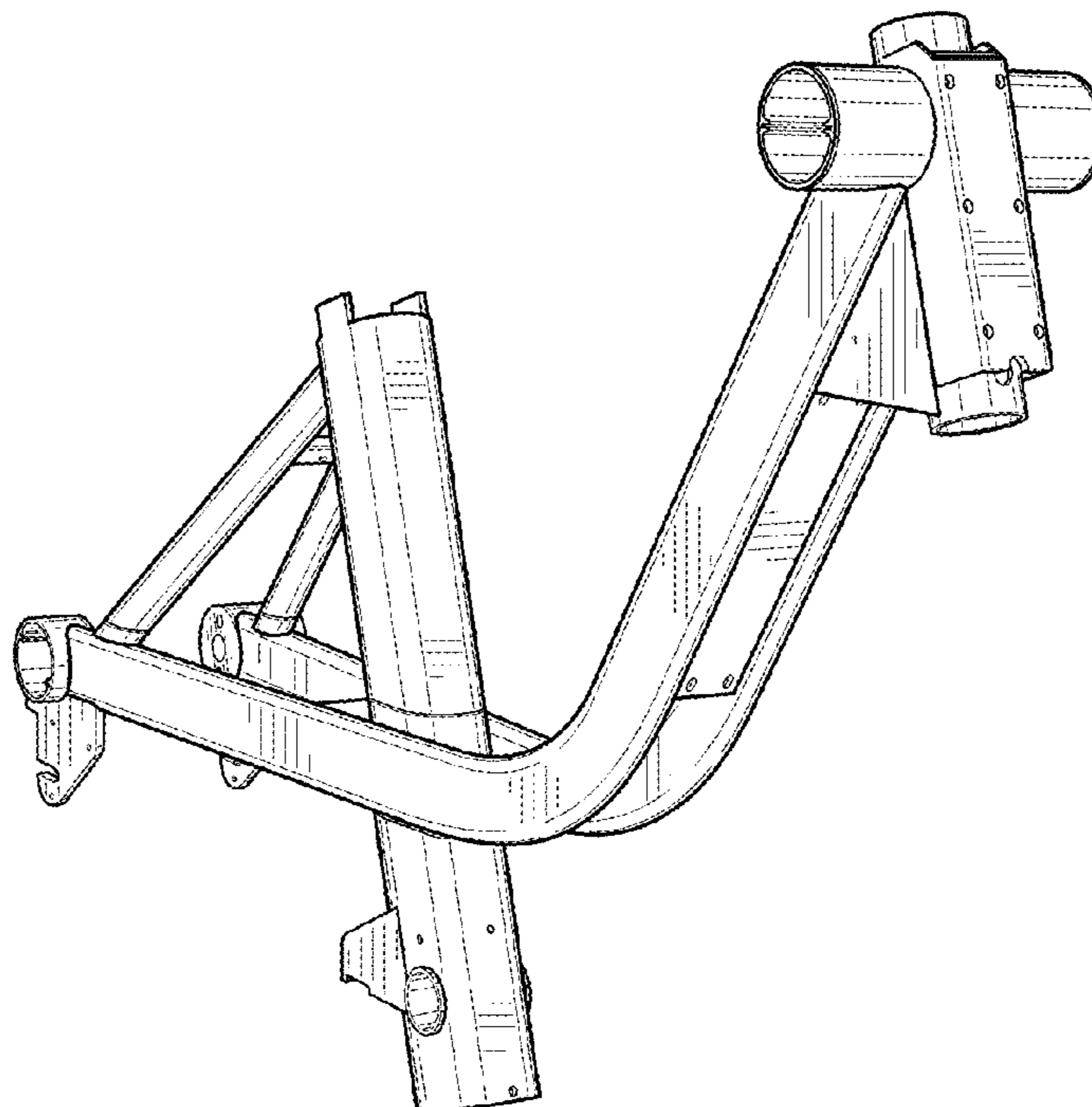
FIGURE 1.4 is a bottom view thereof;

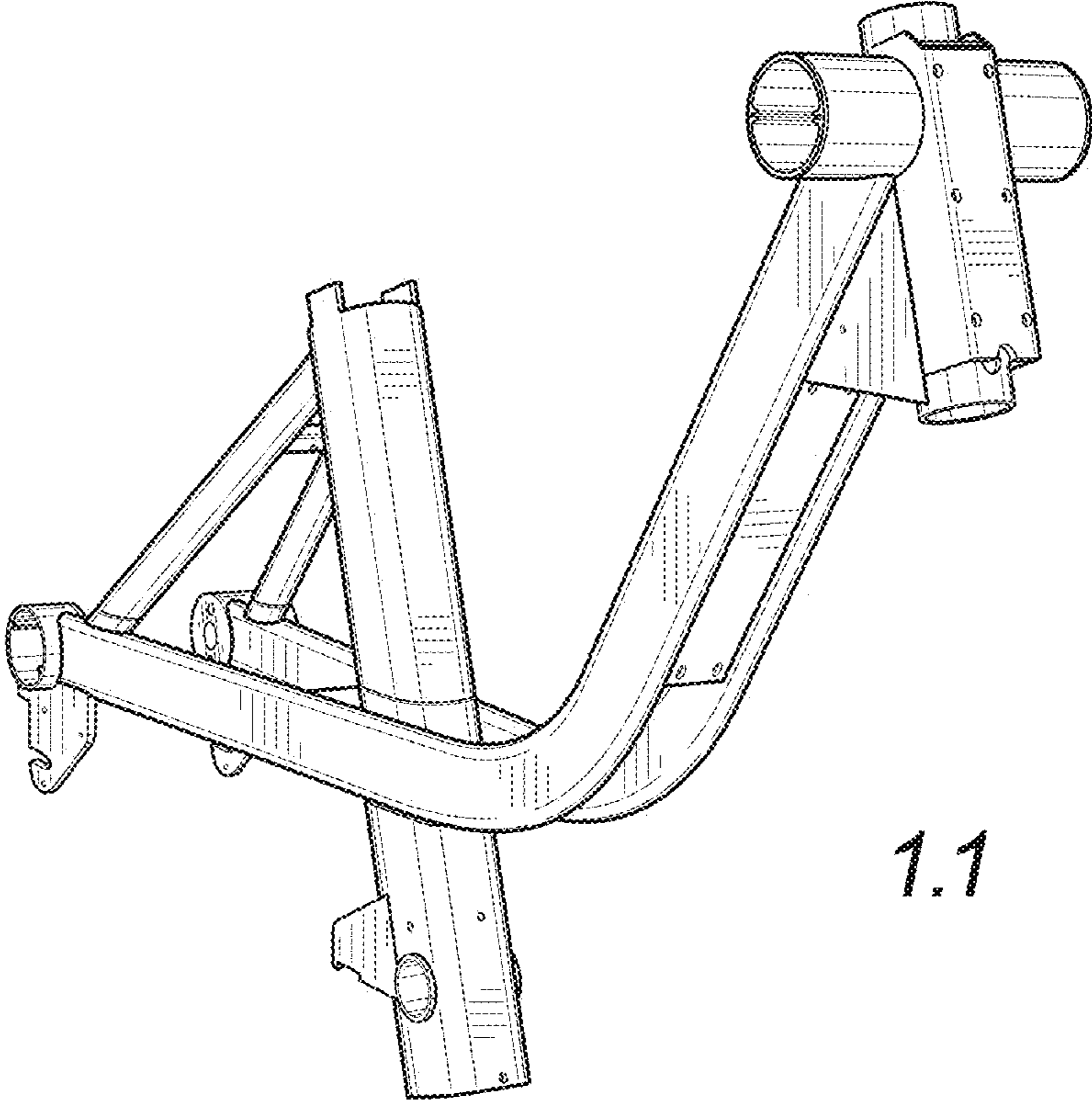
FIGURE 1.5 is a front view thereof;

FIGURE 1.6 is a right side view thereof; and

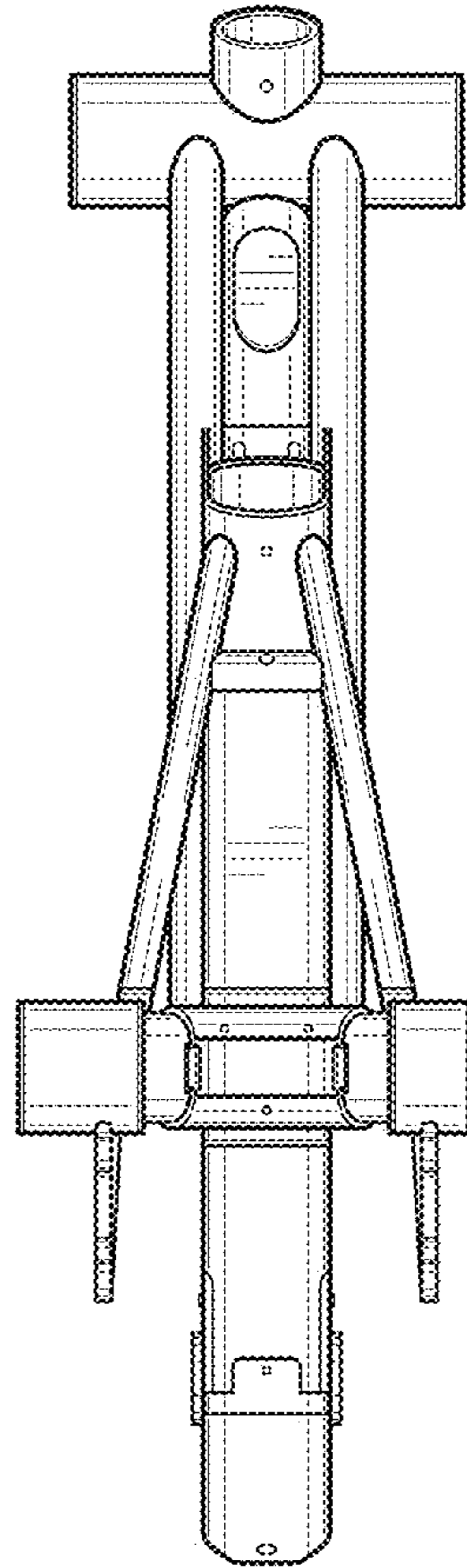
FIGURE 1.7 is a top view thereof.

1 Claim, 4 Drawing Sheets

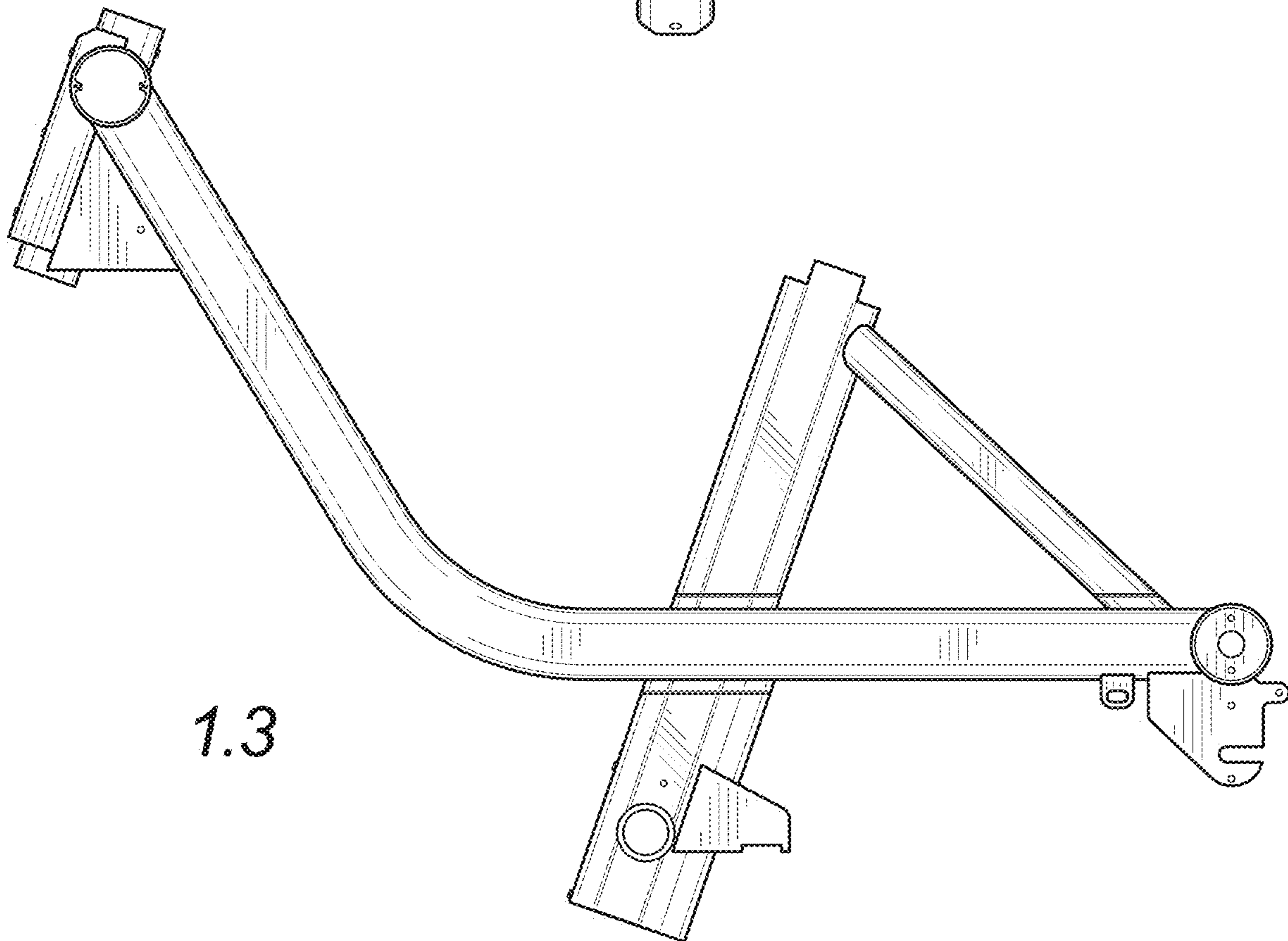




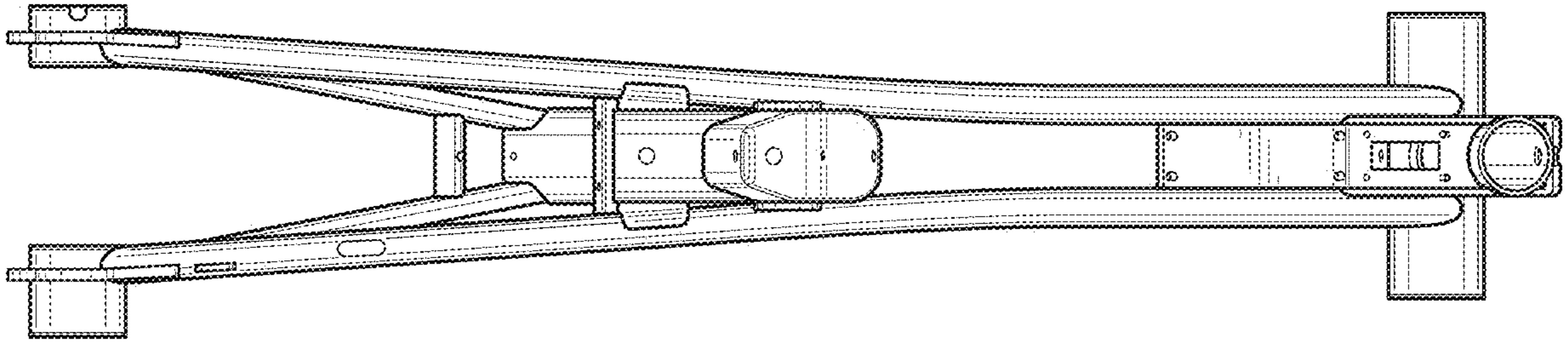
1.1



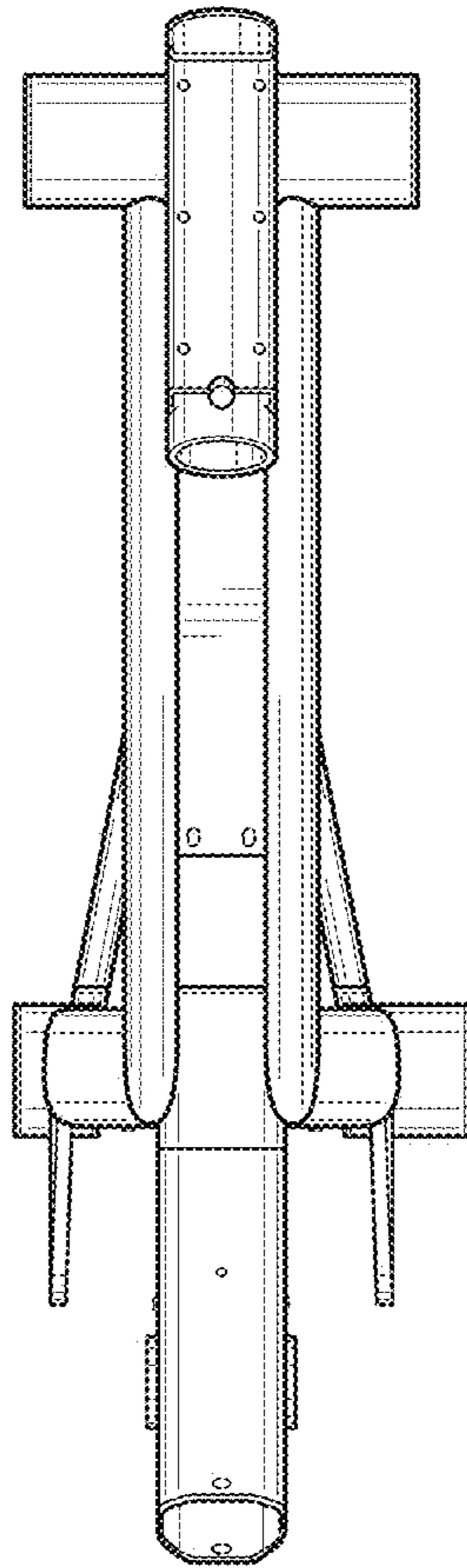
1.2



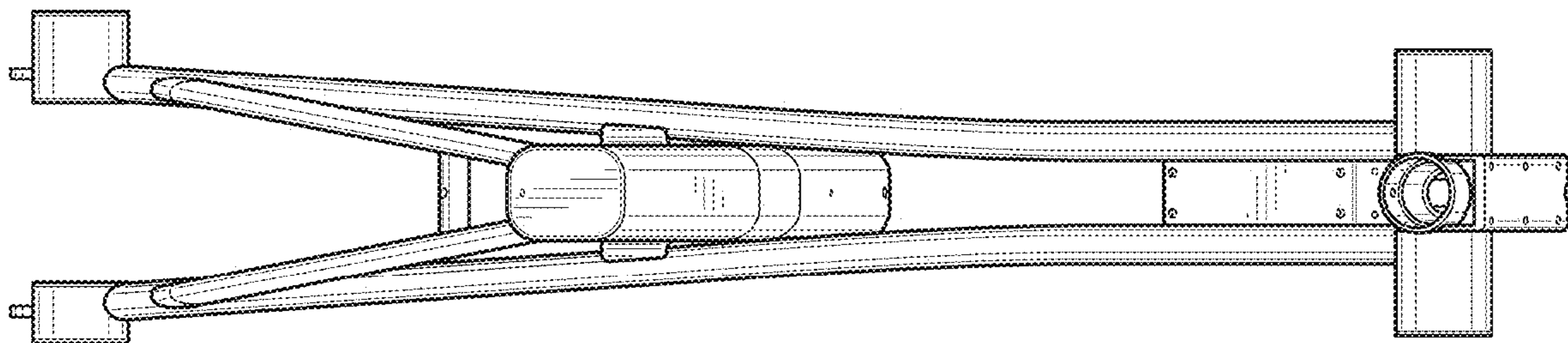
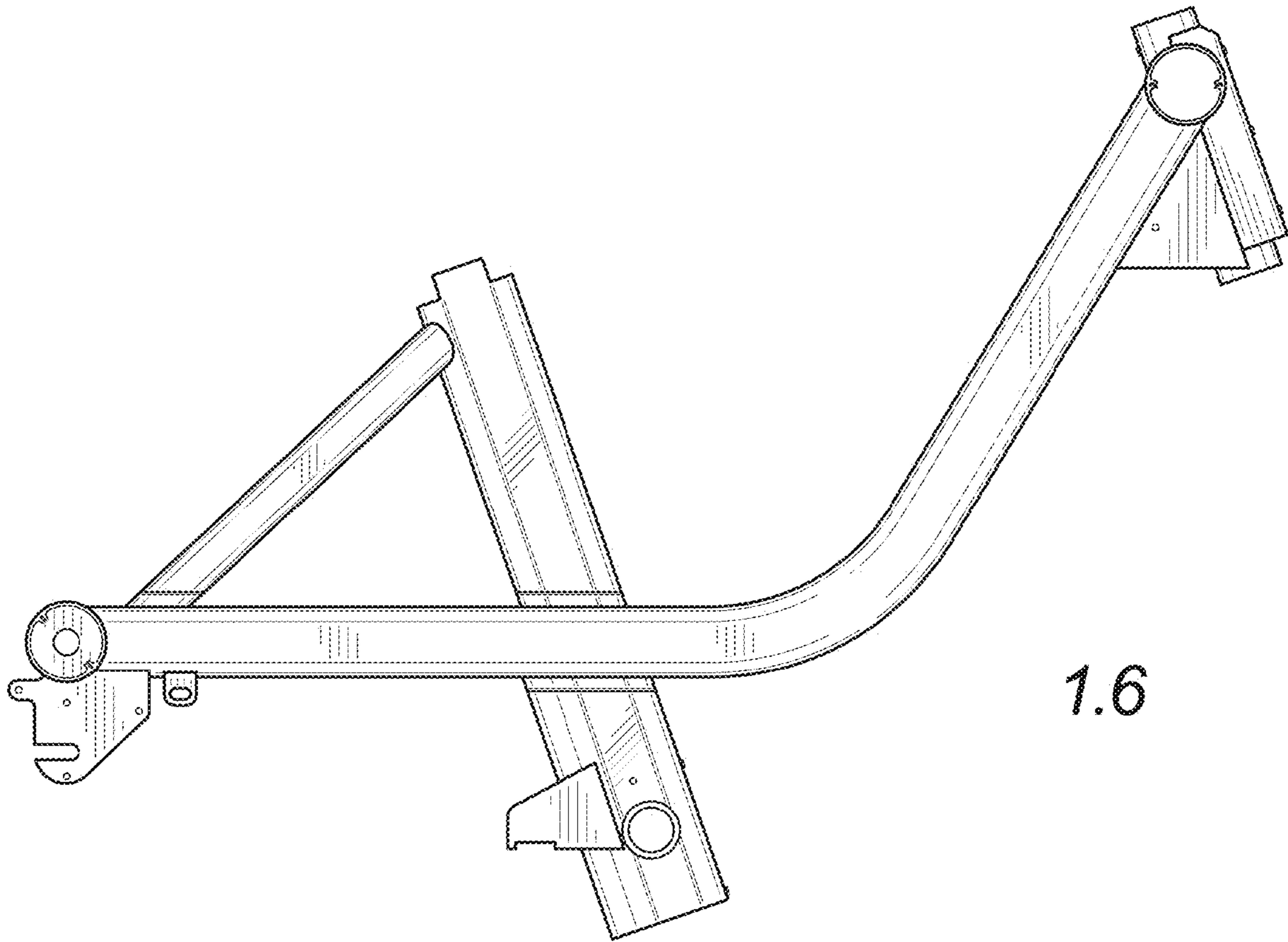
1.3



1.4



1.5



1.7