



US00D908541S

(12) **United States Design Patent** (10) **Patent No.:** **US D908,541 S**
Shi et al. (45) **Date of Patent:** **** Jan. 26, 2021**

(54) **BICYCLE FRAME**
(71) Applicant: **Shenzhen Concepts Wit Technology Co., Ltd.**, Shenzhen (CN)
(72) Inventors: **Cheng Shi**, Shenzhen (CN); **Hengfei Tao**, Shenzhen (CN)
(73) Assignee: **Shenzhen Concepts Wit Technology Co., Ltd.**, Guangdong (CN)
(**) Term: **15 Years**

D686,950 S * 7/2013 Lin D12/111
D689,408 S * 9/2013 Kim D12/111
D721,014 S * 1/2015 Kahler, Jr. D12/111
D722,285 S * 2/2015 Silva D12/111
D735,089 S * 7/2015 Gauthier D12/111
D735,618 S * 8/2015 Lawson D12/111
D774,970 S * 12/2016 D'Aluisio D12/111
D785,509 S * 5/2017 Juhlin D12/111
9,908,582 B1 * 3/2018 Choi B62K 19/36
D842,764 S * 3/2019 Acacia D12/111
D843,893 S * 3/2019 Reiter D12/111
D844,493 S * 4/2019 Song D12/111
2019/0077476 A1 * 3/2019 Lloyd B62J 25/00
2019/0185101 A1 * 6/2019 Choi B62K 19/20

(21) Appl. No.: **29/695,646**
(22) Filed: **Jun. 20, 2019**
(30) **Foreign Application Priority Data**
Apr. 26, 2019 (CN) 2019 3 0199772
(51) **LOC (13) Cl.** **12-11**
(52) **U.S. Cl.**
USPC **D12/111**
(58) **Field of Classification Search**
USPC D12/111, 117; D21/412, 414, 419,
D21/423-428, 431-435
CPC B62K 3/00; B62K 3/02; B62K 3/06
See application file for complete search history.

* cited by examiner

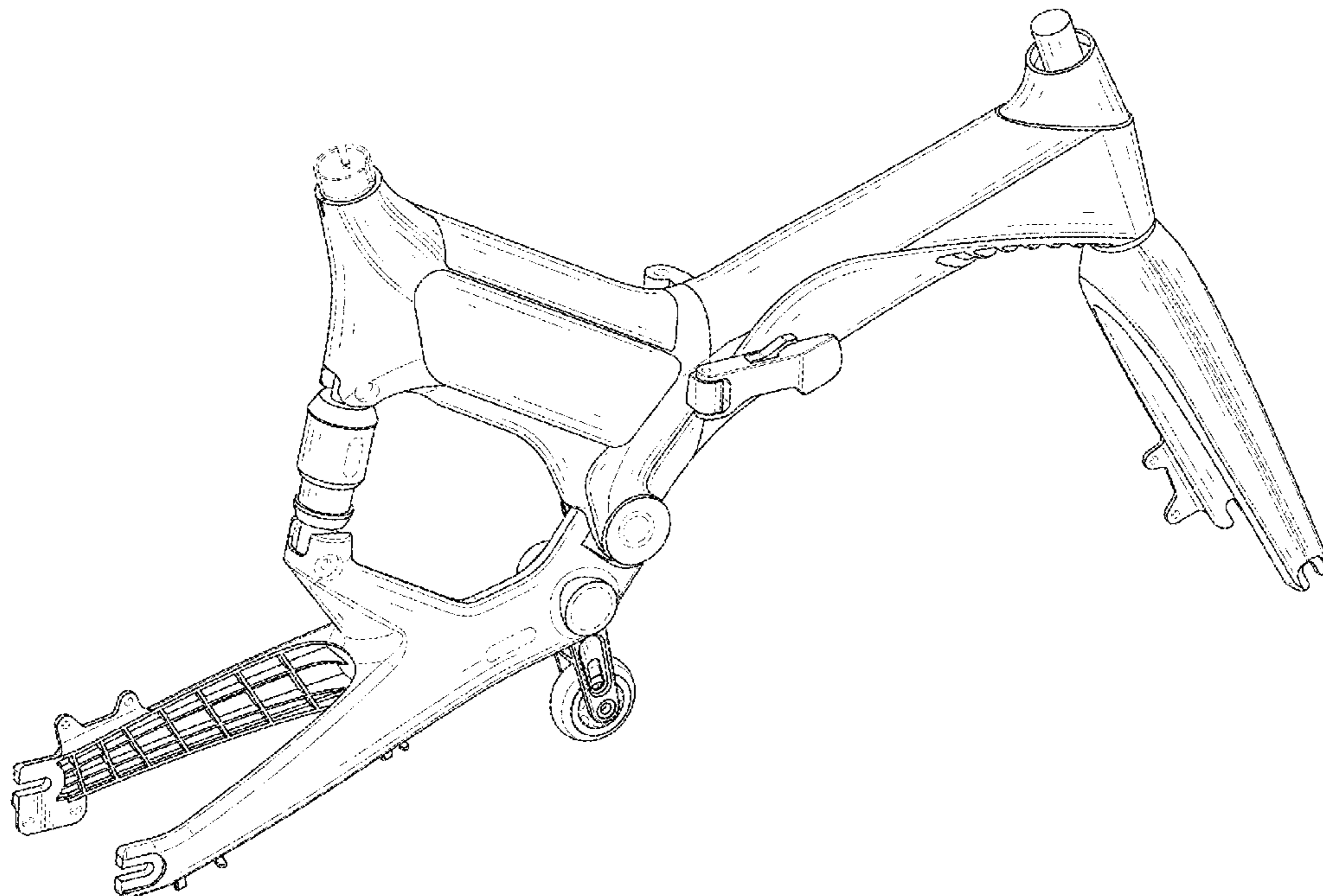
Primary Examiner — Darlington Ly
(74) *Attorney, Agent, or Firm* — Klarquist Sparkman, LLP

(56) **References Cited**
U.S. PATENT DOCUMENTS
D405,030 S * 2/1999 Frost D12/111
D418,778 S * 1/2000 Allen D12/111
D419,110 S * 1/2000 Allen D12/111
D517,452 S * 3/2006 Hickman D12/111
D604,205 S * 11/2009 Cattaneo D12/111
D637,527 S * 5/2011 Choi D12/111

(57) **CLAIM**
The ornamental design for a bicycle frame, as shown and described.

DESCRIPTION
FIG. 1 is a rear and right side perspective view of a bicycle frame showing our new design;
FIG. 2 is a front and left side perspective view thereof;
FIG. 3 is a right side elevation view thereof;
FIG. 4 is a left side elevation view thereof;
FIG. 5 is a rear elevation view thereof;
FIG. 6 is a front elevation view thereof;
FIG. 7 is a top plan view thereof; and,
FIG. 8 is a bottom plan view thereof.
The broken lines in the drawings illustrate portions of the bicycle frame that form no part of the claimed design.

1 Claim, 8 Drawing Sheets



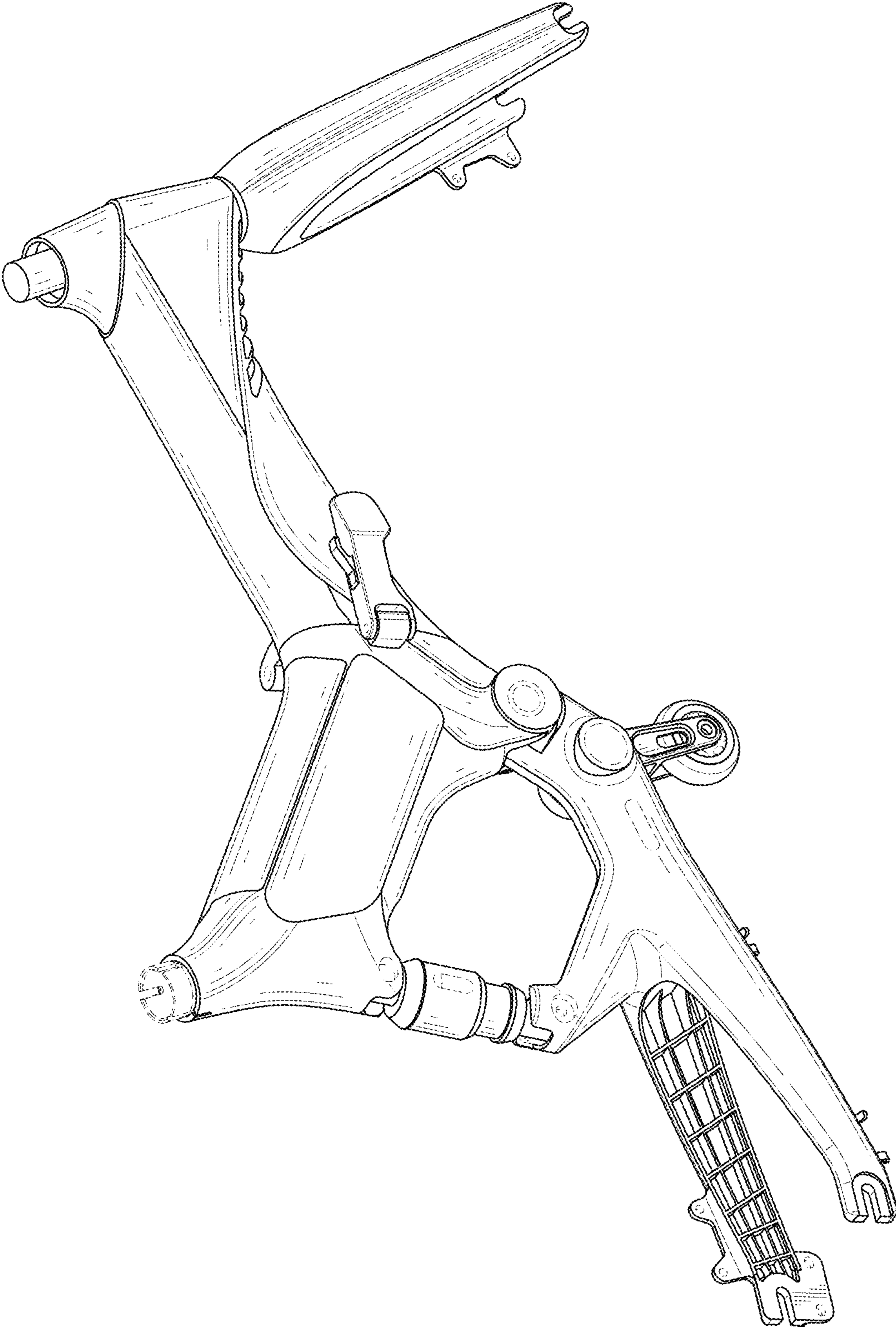


FIG. 1

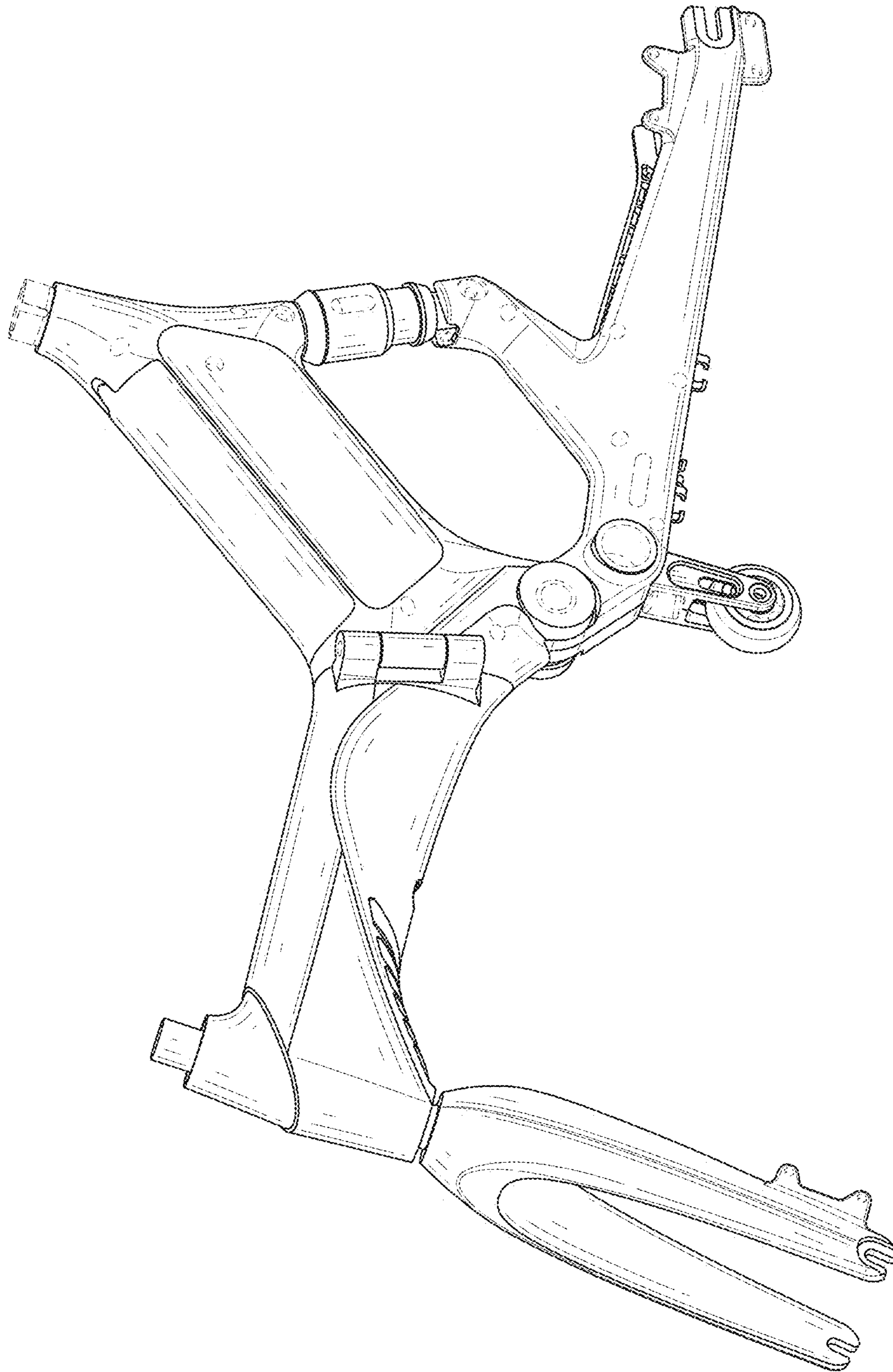


FIG. 2

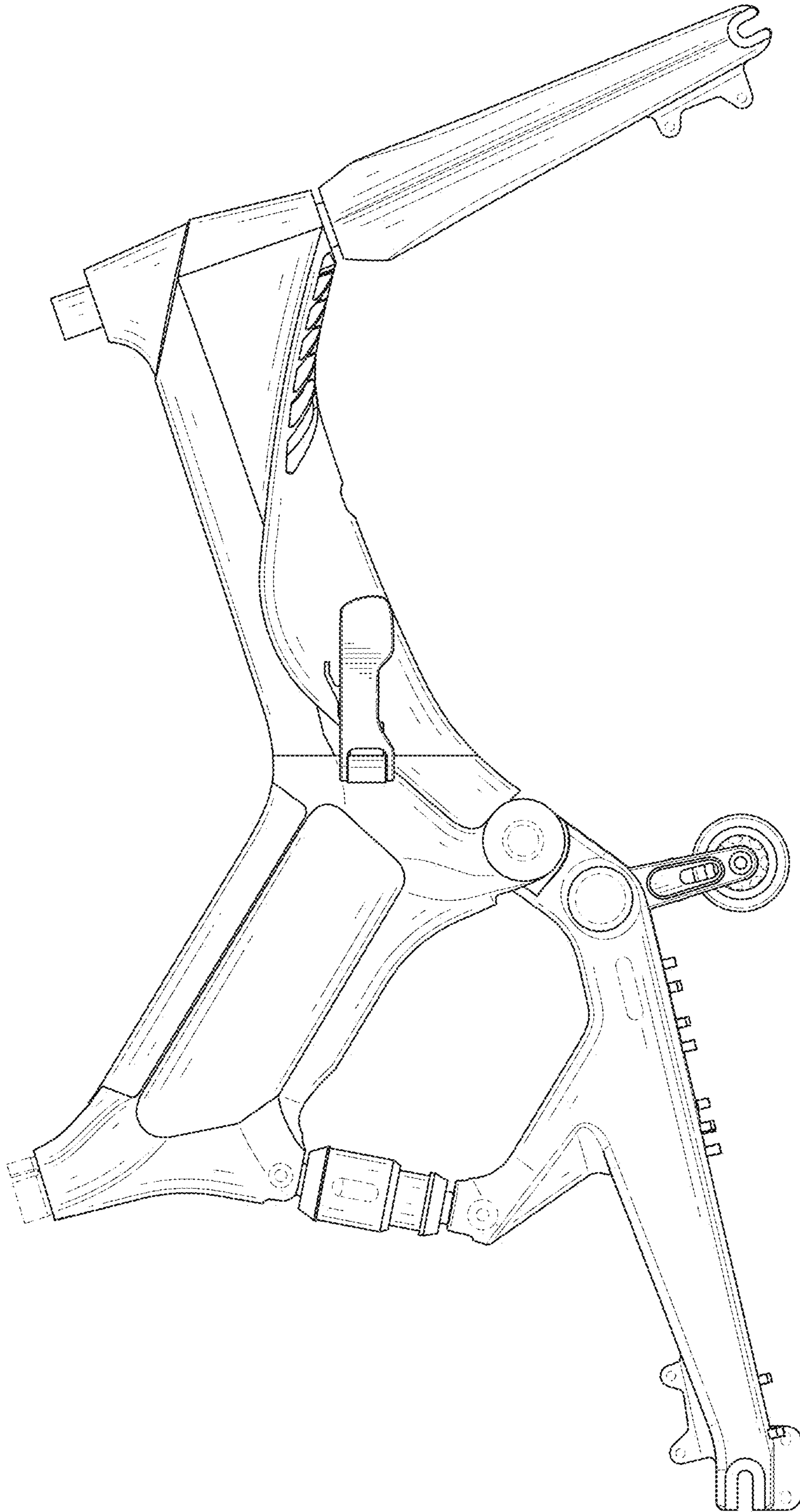


FIG. 3

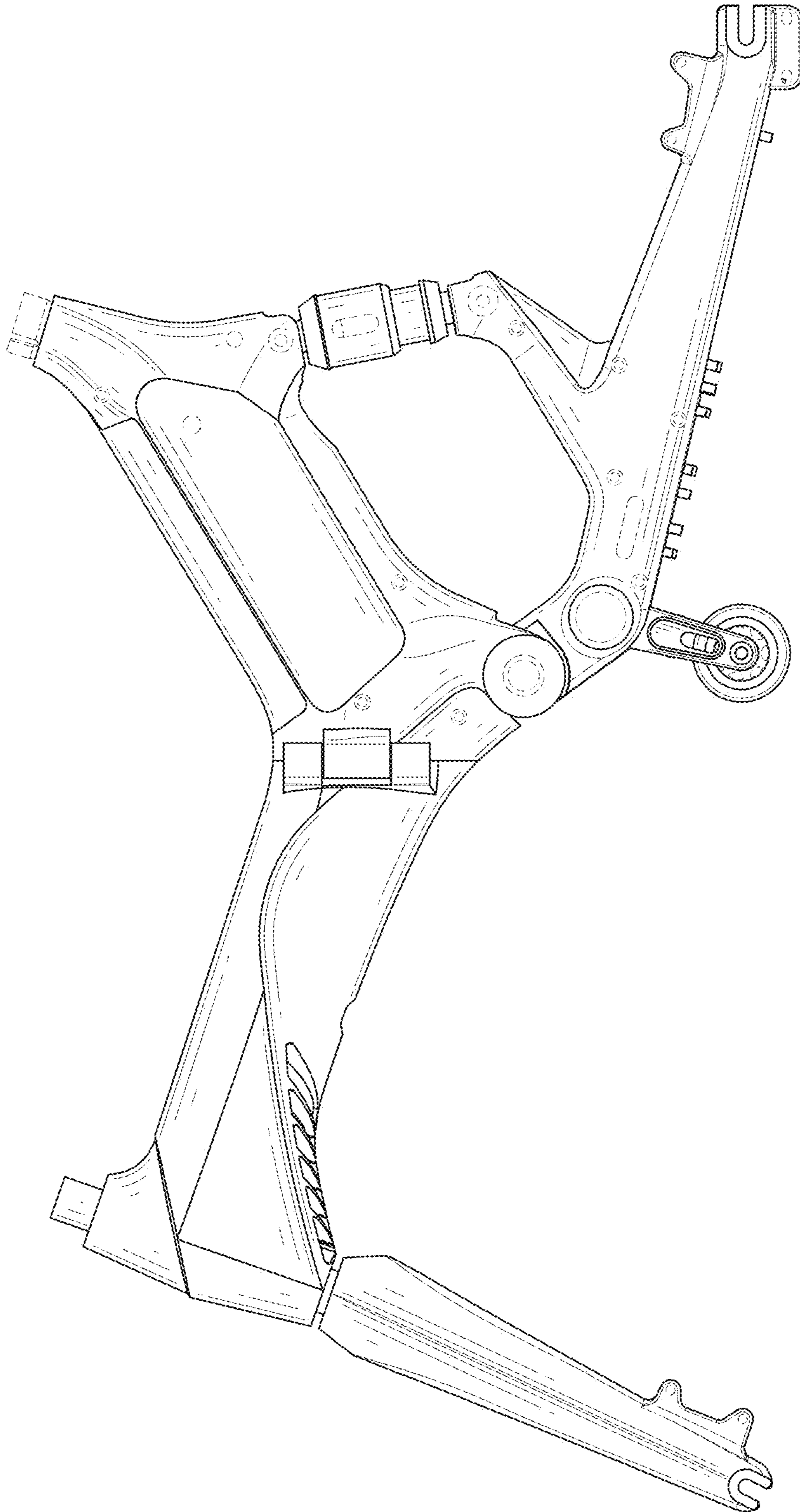


FIG. 4

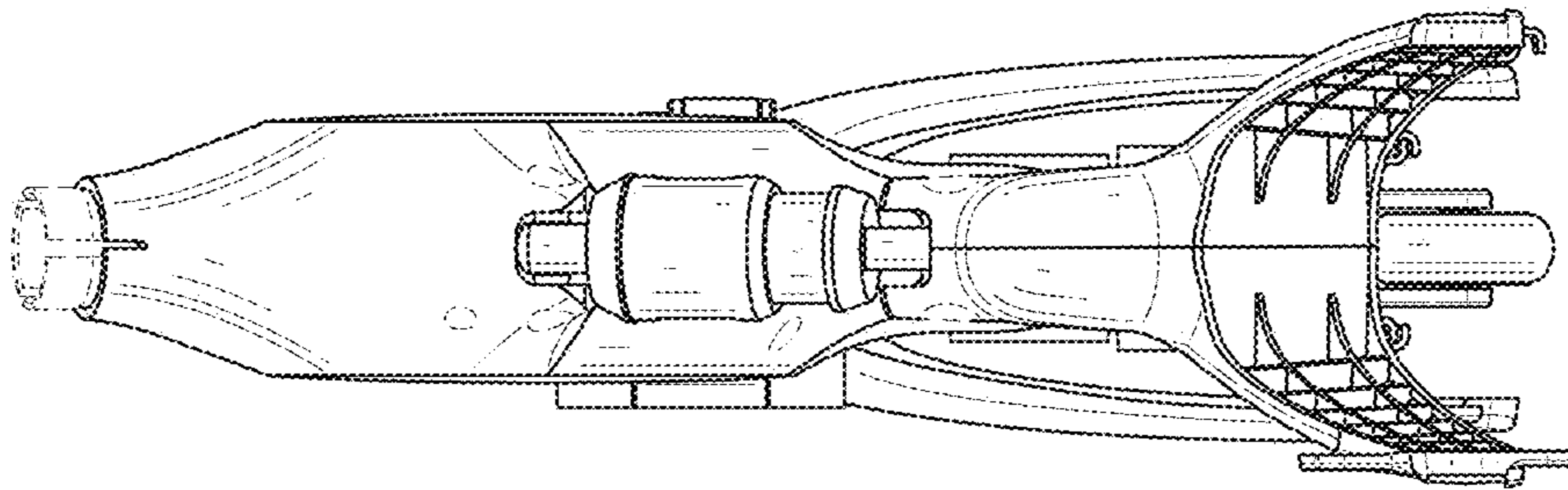


FIG. 5

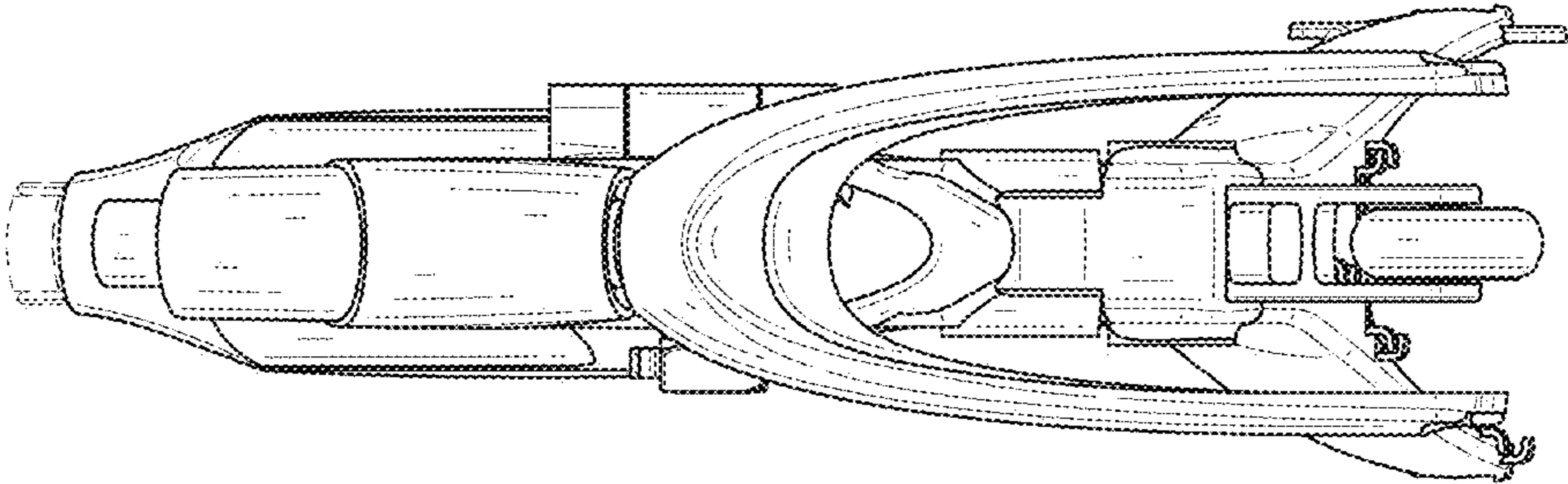


FIG. 6

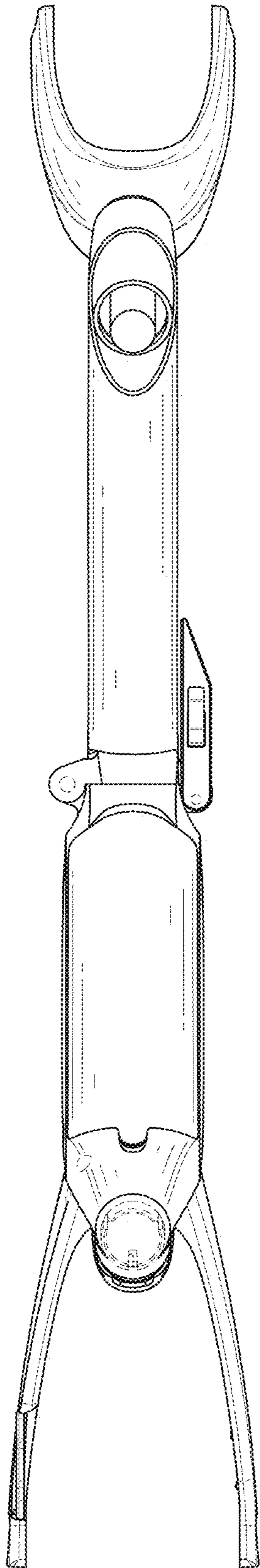


FIG. 7

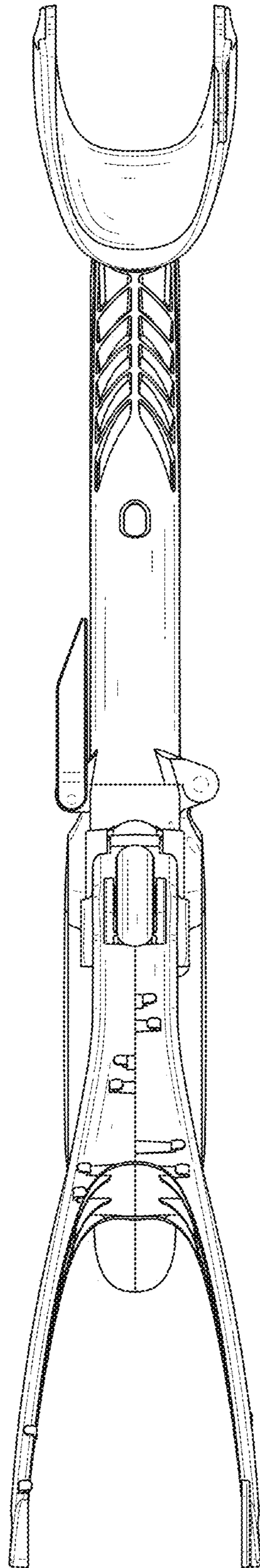


FIG. 8