



US00D908540S

(12) **United States Design Patent**  
**Akita**

(10) **Patent No.:** **US D908,540 S**

(45) **Date of Patent:** **\*\* Jan. 26, 2021**

(54) **MOTORCYCLE**

(71) Applicant: **Kawasaki Jukogyo Kabushiki Kaisha,**  
Kobe (JP)

(72) Inventor: **Kohei Akita,** Akashi (JP)

(73) Assignee: **KAWASAKI JUKOGYO**  
**KABUSHIKI KAISHA**

(\*\*) Term: **15 Years**

(21) Appl. No.: **29/693,635**

(22) Filed: **Jun. 4, 2019**

(51) **LOC (13) Cl.** ..... **12-11**

(52) **U.S. Cl.**  
USPC ..... **D12/110**

(58) **Field of Classification Search**  
USPC ..... D12/110, 111, 117; D21/432, 538  
CPC ..... B62K 11/00; B62K 11/02; B62K 11/04;  
B62K 11/10; B62K 17/00; B62K 19/00;  
B62K 2202/00

See application file for complete search history.

(56) **References Cited**

**U.S. PATENT DOCUMENTS**

D269,170 S *	5/1983	Aoyama	.....	D12/110
D270,047 S *	8/1983	Kataoka	.....	D12/110
D273,854 S *	5/1984	Ishiyama	.....	D12/110
D384,600 S *	10/1997	Miwa	.....	D12/110
D384,601 S *	10/1997	Hiruma	.....	D12/110
D395,849 S *	7/1998	Maruyama	.....	D12/110
D419,922 S *	2/2000	Yamase	.....	D12/110
D430,822 S *	9/2000	Sakaguchi	.....	D12/110
D482,639 S *	11/2003	Yamamoto	.....	D12/110
D497,329 S *	10/2004	Yamamoto	.....	D12/110
D497,330 S *	10/2004	Fukuyama	.....	D12/110
D513,481 S *	1/2006	Lin	.....	D12/110
D517,956 S *	3/2006	Kishi	.....	D12/110

D523,783 S *	6/2006	Sugimoto	.....	D12/110
D524,191 S *	7/2006	Sugimoto	.....	D12/110
D526,249 S *	8/2006	Tanaka	.....	D12/110
D549,136 S *	8/2007	Yu	.....	D12/110
D559,155 S *	1/2008	Sakata	.....	D12/110
D566,626 S *	4/2008	Sakata	.....	D12/110
D581,840 S *	12/2008	Ichihara	.....	D12/110
D590,302 S *	4/2009	Tanaka	.....	D12/110
D594,784 S *	6/2009	Ichihara	.....	D12/110
D598,330 S *	8/2009	Miyanishi	.....	D12/110
D601,927 S *	10/2009	Watanabe	.....	D12/110
D603,300 S *	11/2009	Fukuyama	.....	D12/110
D609,609 S *	2/2010	Hayashi	.....	D12/110
D609,610 S *	2/2010	Inose	.....	D12/110
D621,301 S *	8/2010	Hayashi	.....	D12/110
D632,226 S *	2/2011	Miyata	.....	D12/110
D640,173 S *	6/2011	Oyanagi	.....	D12/110
D665,706 S *	8/2012	Oyanagi	.....	D12/110
D685,682 S *	7/2013	Matsumura	.....	D12/110
D724,496 S *	3/2015	Takeda	.....	D12/110
D735,086 S *	7/2015	Talios	.....	D12/110
D735,087 S *	7/2015	Iimura	.....	D12/110
D738,260 S *	9/2015	Akita	.....	D12/110
D738,789 S *	9/2015	Inose	.....	D12/110

(Continued)

*Primary Examiner* — Darlington Ly

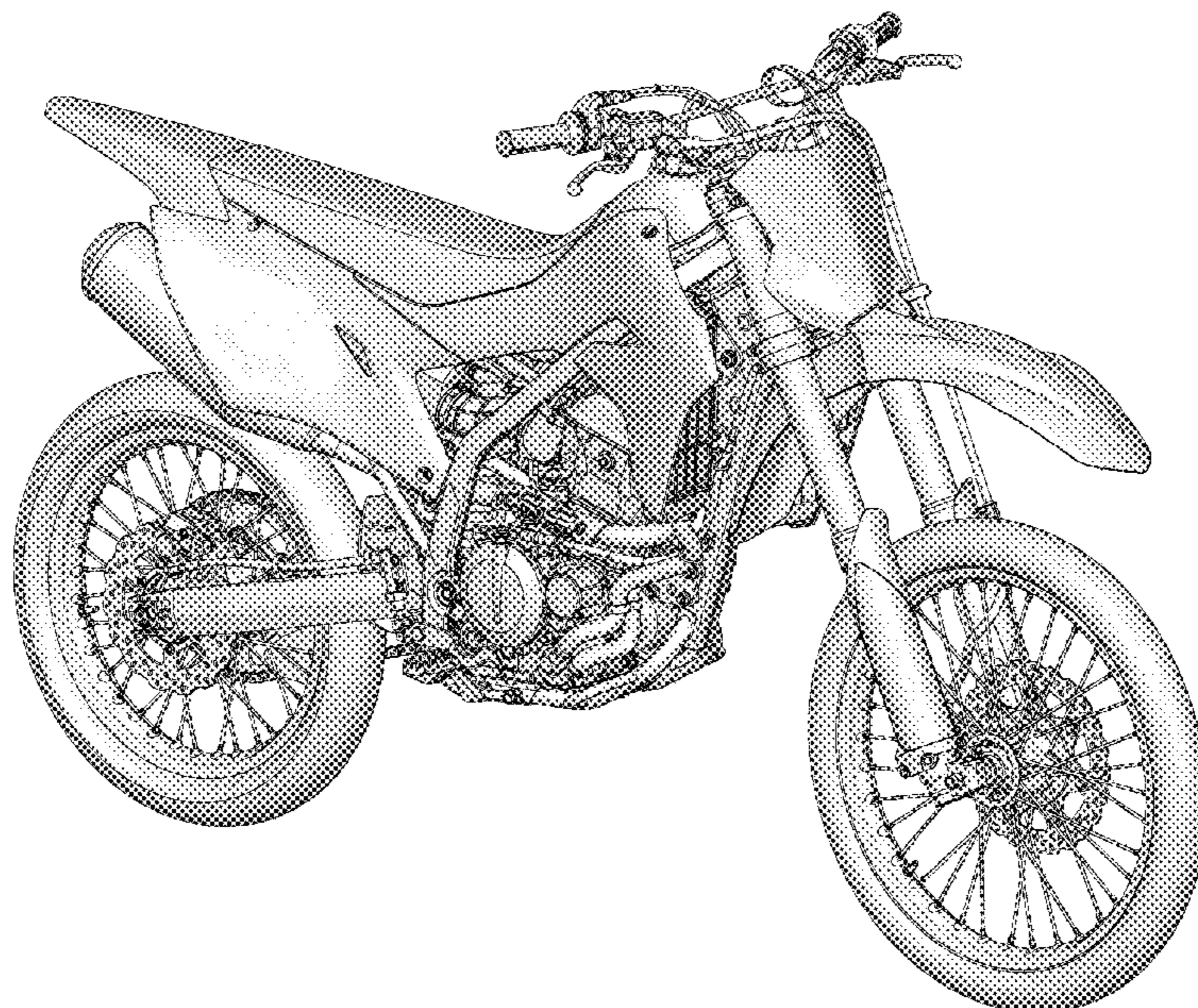
(57) **CLAIM**

The ornamental design for a motorcycle, as shown and described.

**DESCRIPTION**

FIG. 1 is a front elevational view of a motorcycle showing my new design;  
FIG. 2 is a rear elevational view thereof;  
FIG. 3 is a left side elevational view thereof;  
FIG. 4 is a right side elevational view thereof;  
FIG. 5 is a top plan view thereof;  
FIG. 6 is a front and left side perspective view thereof; and,  
FIG. 7 is a rear and right side perspective view thereof.

**1 Claim, 7 Drawing Sheets**



(56)

**References Cited**

U.S. PATENT DOCUMENTS

D754,567 S \* 4/2016 Iimura ..... D12/110  
D792,287 S \* 7/2017 Kobayashi ..... D12/110  
D798,195 S \* 9/2017 Yu ..... D12/110  
D809,433 S \* 2/2018 Kobayashi ..... D12/110  
D875,614 S \* 2/2020 Akita ..... D12/110  
2013/0313034 A1\* 11/2013 Matsushima ..... F02M 35/0201  
180/219  
2015/0060178 A1\* 3/2015 Matsushima ..... F02M 35/048  
180/219  
2017/0057338 A1\* 3/2017 Inagaki ..... B60K 11/04

\* cited by examiner

Fig. 1

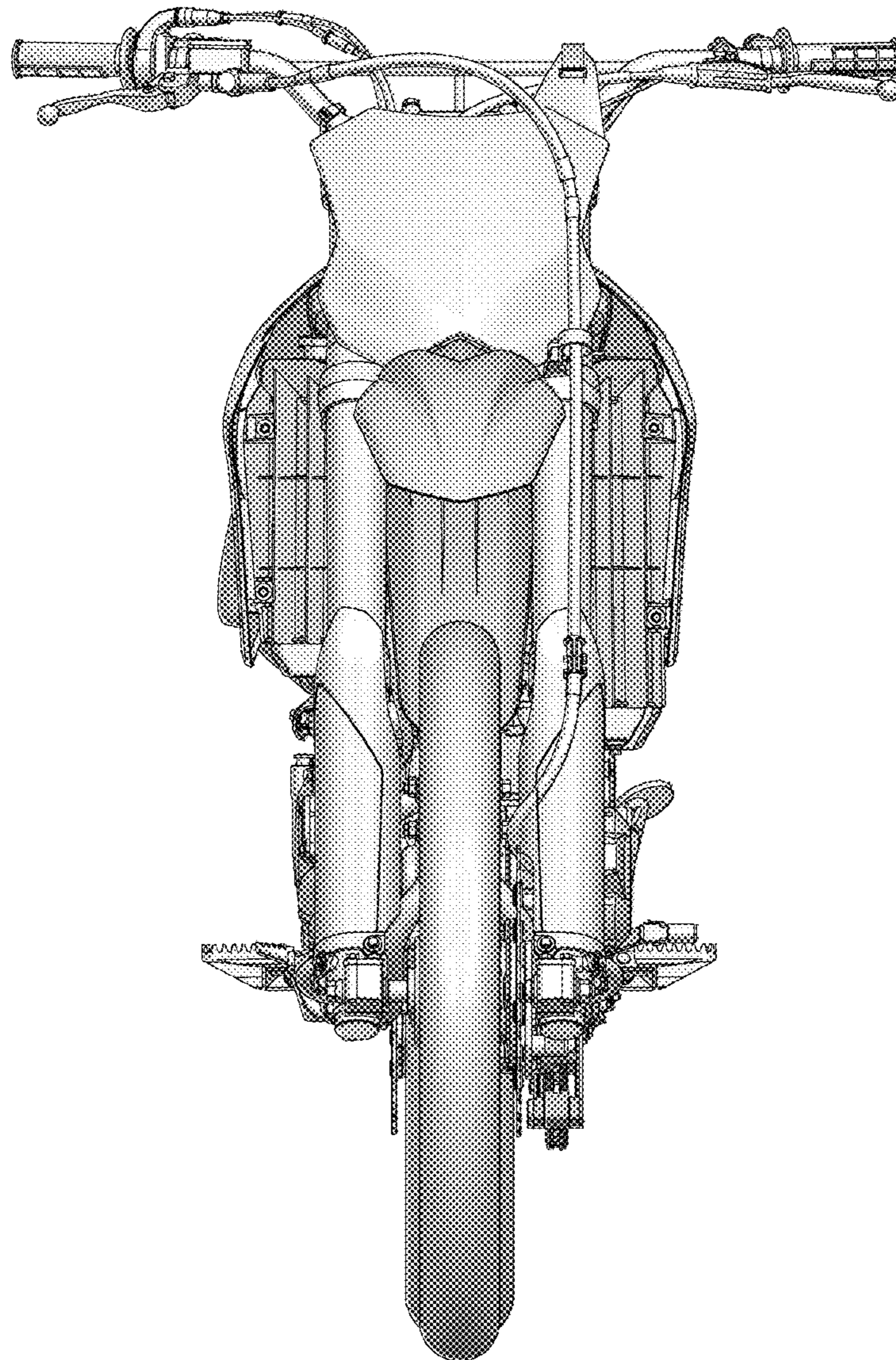
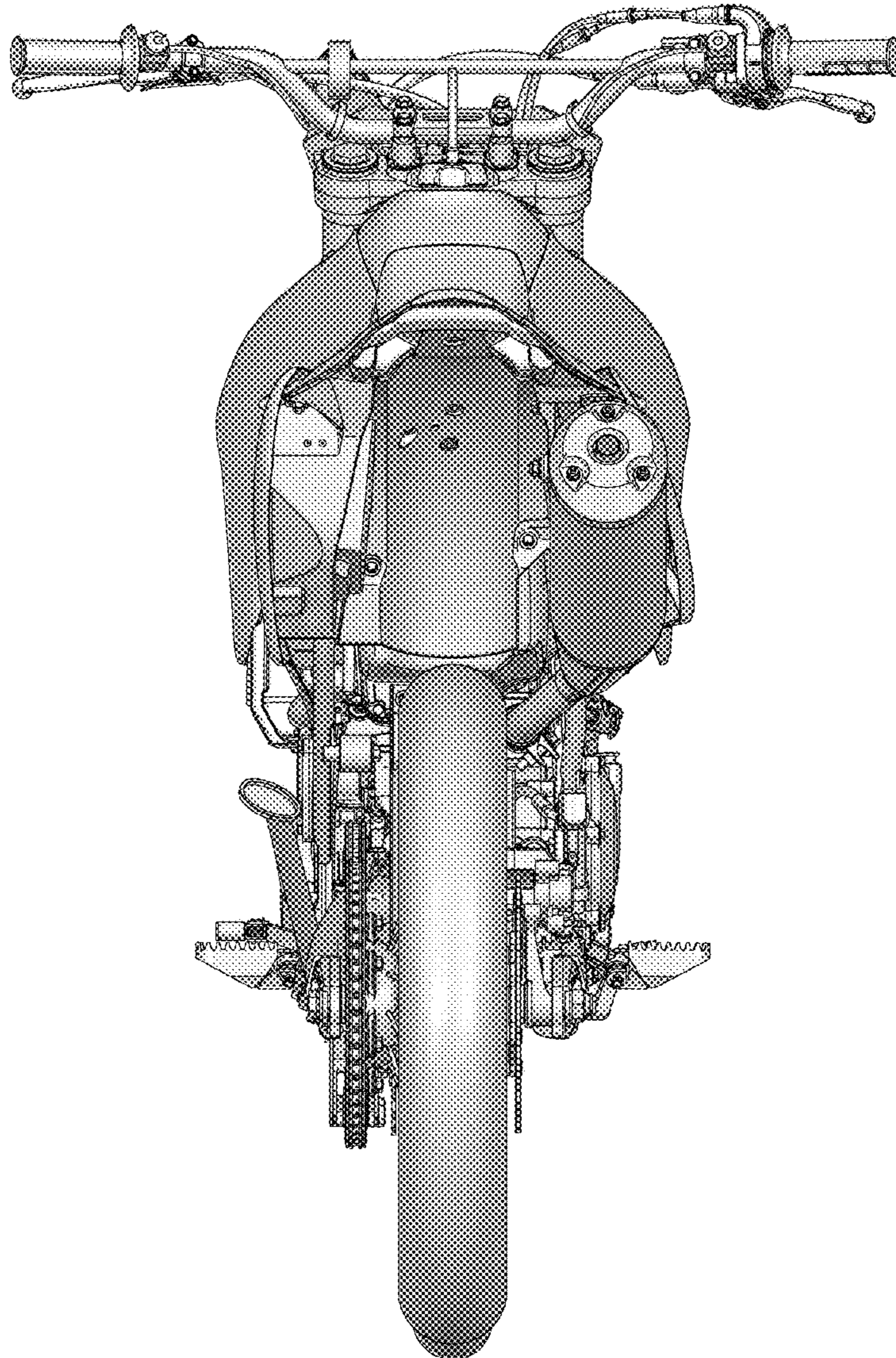


Fig. 2



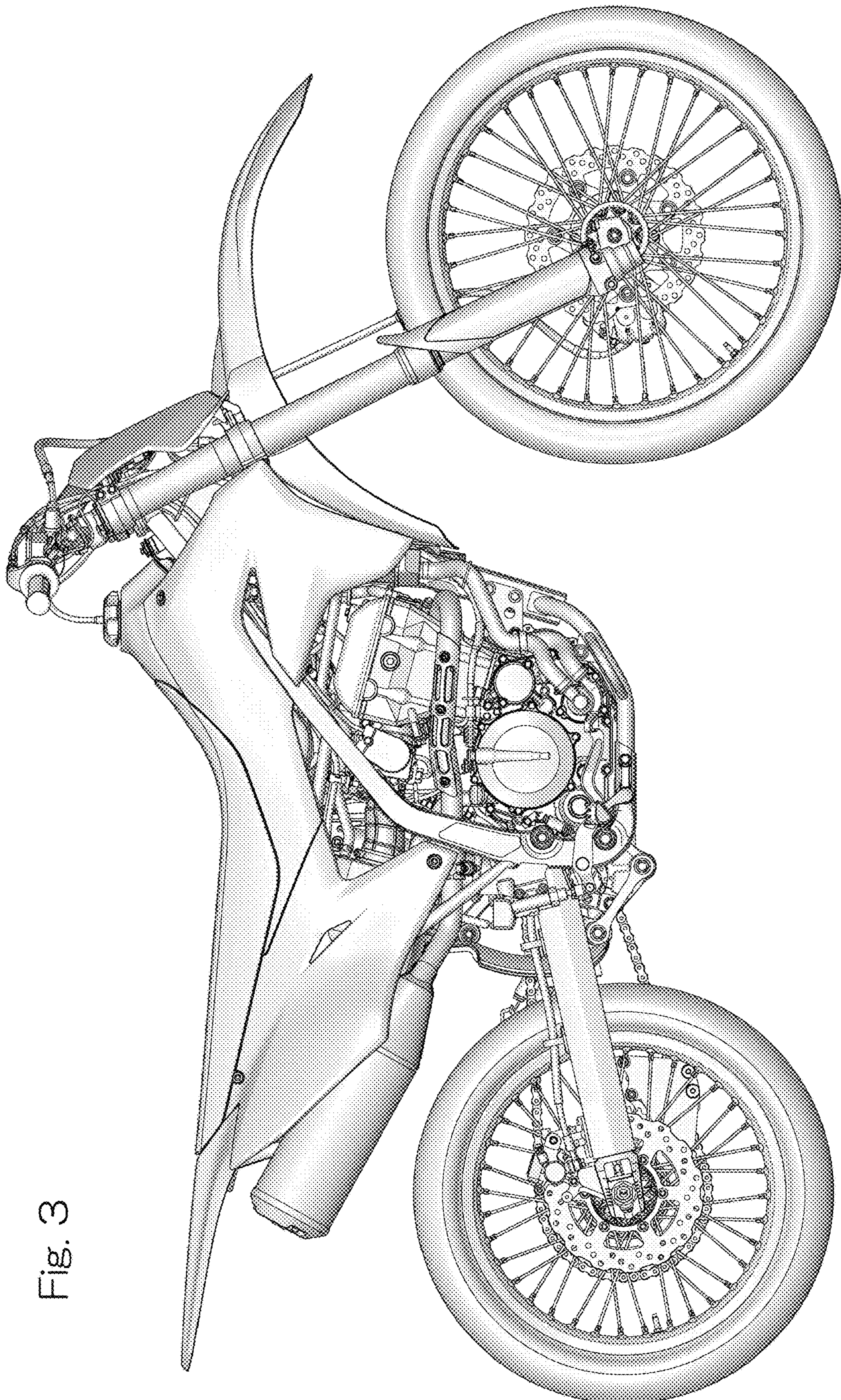


Fig. 3

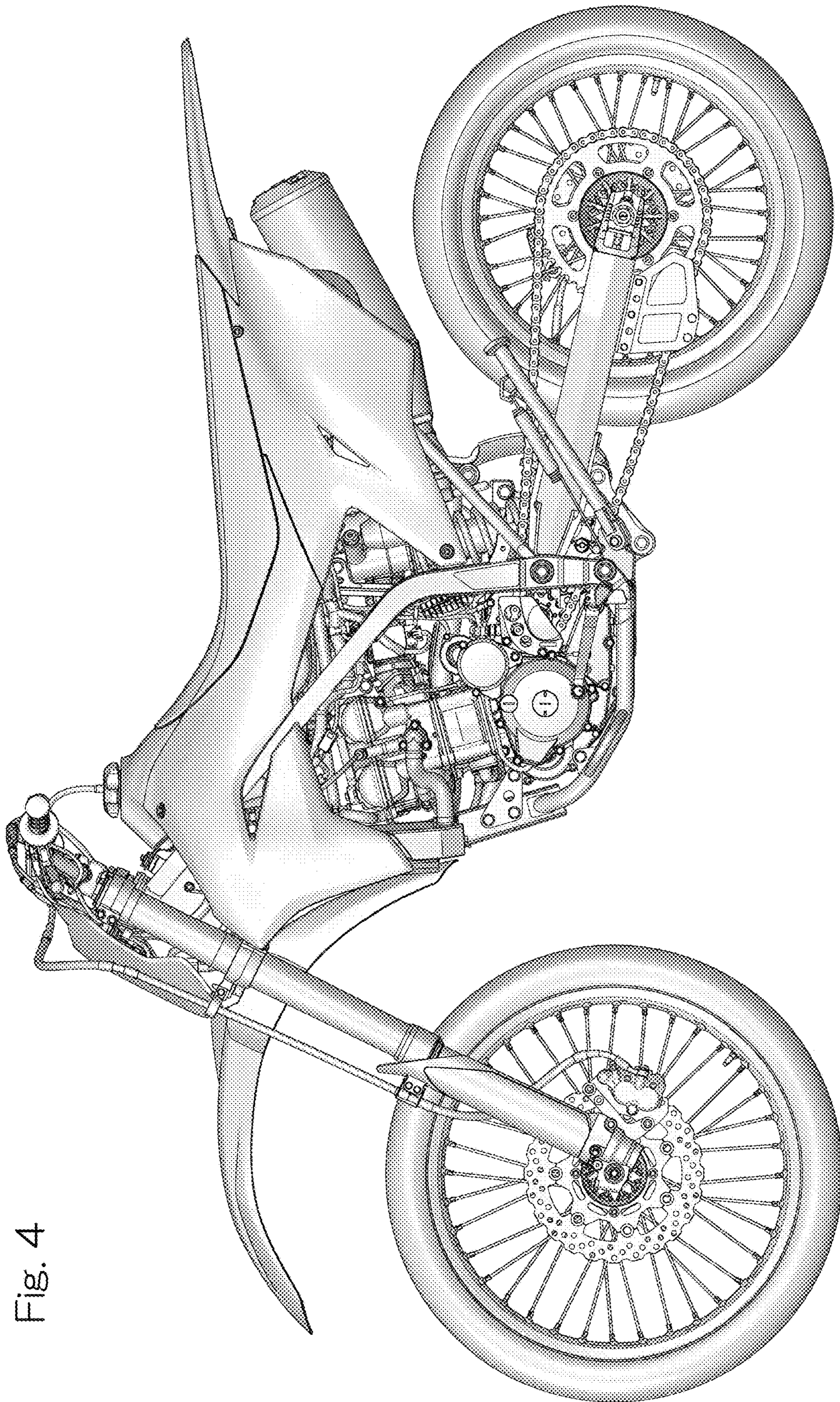
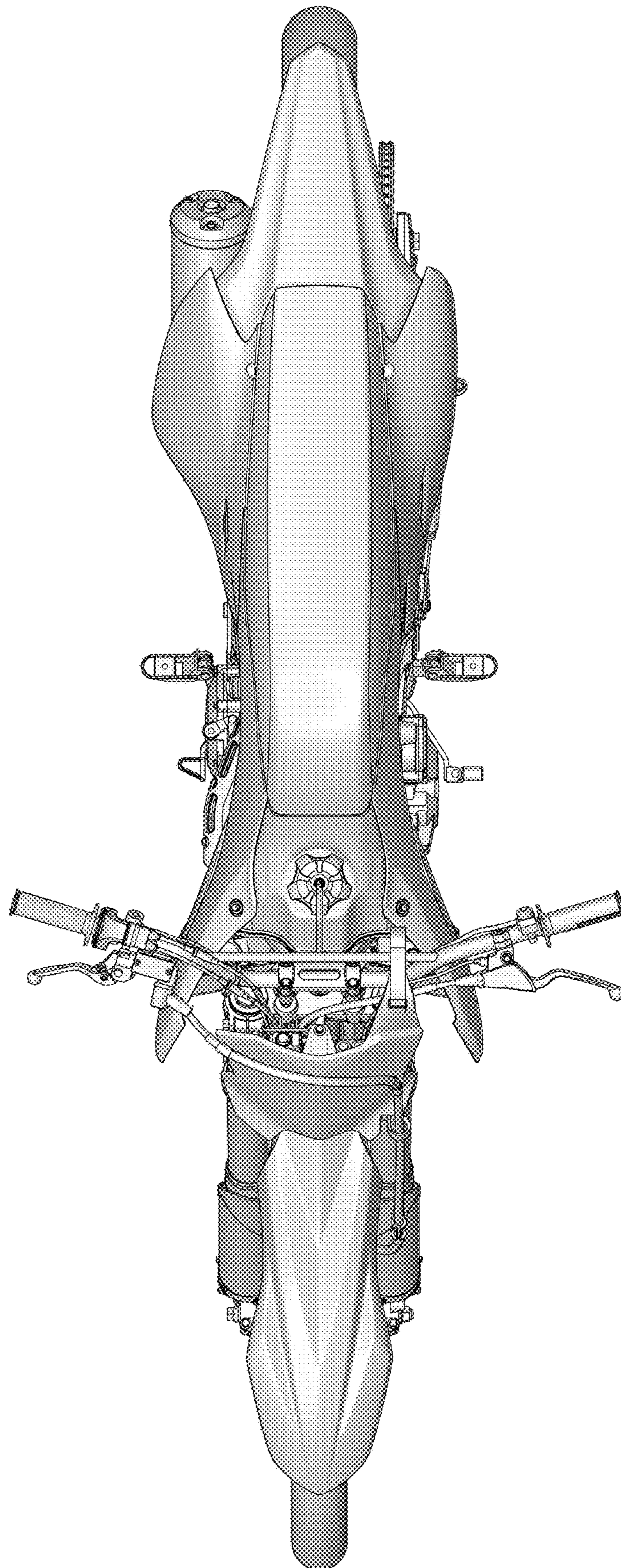


Fig. 4

Fig. 5



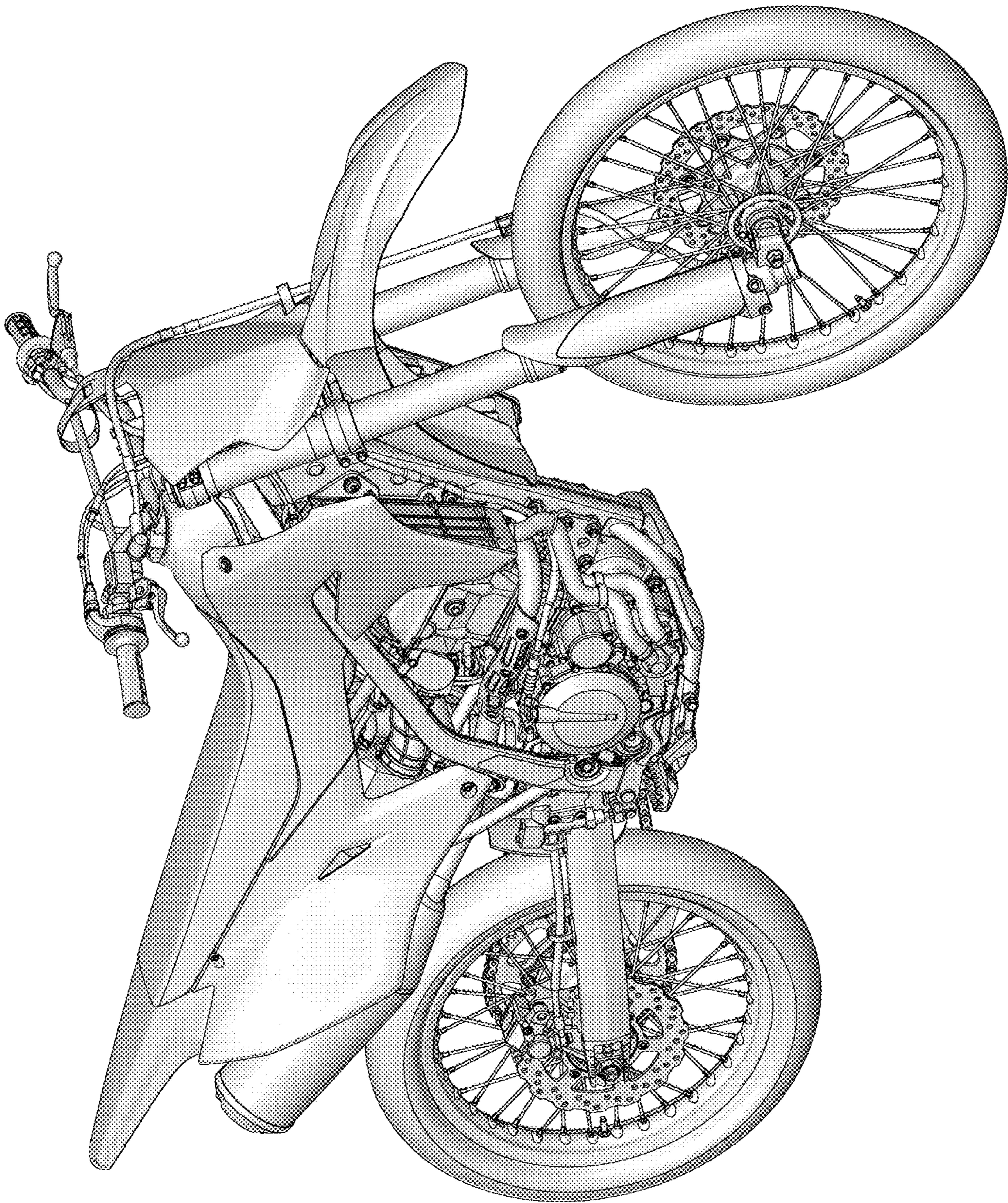


Fig. 6



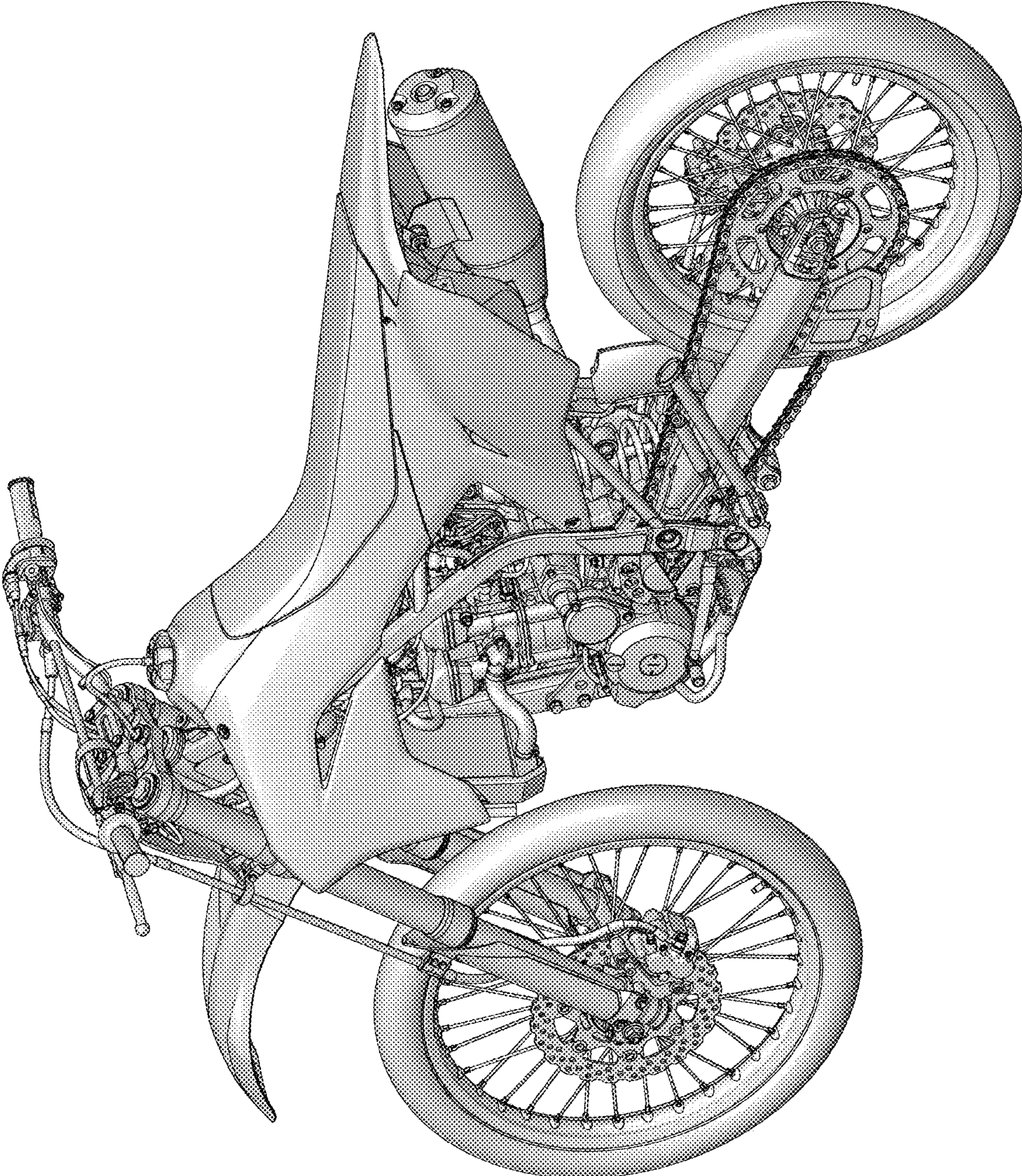


Fig. 7