



US00D908536S

(12) **United States Design Patent**  
**Ye et al.**

(10) **Patent No.:** **US D908,536 S**

(45) **Date of Patent:** **\*\* Jan. 26, 2021**

(54) **ALL-TERRAIN VEHICLE**

(71) Applicant: **Shanghai Yixing Power Technology Co., Ltd.**, Shanghai (CN)

(72) Inventors: **Zhangde Ye**, Shanghai (CN); **Hong Ge**, Shanghai (CN); **Lingping Fu**, Shanghai (CN)

(73) Assignee: **Shanghai Yixing Power Technology Co., Ltd.**, Shanghai (CN)

(\*\*) Term: **15 Years**

(21) Appl. No.: **29/707,216**

(22) Filed: **Sep. 26, 2019**

(30) **Foreign Application Priority Data**

Mar. 29, 2019 (CN) ..... 2019 3 0138102  
Mar. 29, 2019 (CN) ..... 2019 3 0138103  
Mar. 29, 2019 (CN) ..... 2019 3 0138678

(51) **LOC (13) Cl.** ..... **12-08**

(52) **U.S. Cl.**  
USPC ..... **D12/87**

(58) **Field of Classification Search**

USPC ..... D12/1, 12, 14, 16, 82, 85-88;  
D21/433-434, 533, 539, 548, 550-552,  
D21/557, 559; 180/65.1, 89.1;  
296/181.1

CPC ..... B62D 55/00; B62D 55/14; B60K 17/00;  
B60R 2021/132; B60Y 2200/124; B60Y  
2200/20; B60Y 2200/24; B60Y 2200/25;  
B60Y 2200/254; B60Y 2200/42; B60Y  
2200/40; B60Y 2200/126; F41H 7/00;  
F41A 23/24; F41A 23/34

See application file for complete search history.

(56) **References Cited**

**U.S. PATENT DOCUMENTS**

D519,439 S 4/2006 Dahl  
D520,252 S 5/2006 Tandrup

D549,133 S \* 8/2007 LePage ..... D12/87  
D562,734 S 2/2008 Tandrup  
D595,188 S 6/2009 Tandrup  
D622,631 S \* 8/2010 Lai ..... D12/87  
D624,852 S 10/2010 Tandrup  
D625,662 S \* 10/2010 Li ..... D12/87  
D636,707 S 4/2011 Bracy  
D638,755 S 5/2011 Bracy  
D650,311 S \* 12/2011 Bracy ..... D12/87  
D657,720 S 4/2012 Eck  
D662,855 S \* 7/2012 Wang ..... D12/87

(Continued)

**OTHER PUBLICATIONS**

RZR S 1000 SxS—Polaris, rzt.polaris.com [online]. Published on or before Jul. 10, 2020, [retrieved on Jul. 10, 2020]. Retrieved from the Internet: <URL:https://rzt.polaris.com/en-us/rzt-s-1000/> (Year: 2020).\*

*Primary Examiner* — Michael A. Pratt

*Assistant Examiner* — Adam C Mager

(74) *Attorney, Agent, or Firm* — Faegre Drinker Biddle & Reath LLP

(57) **CLAIM**

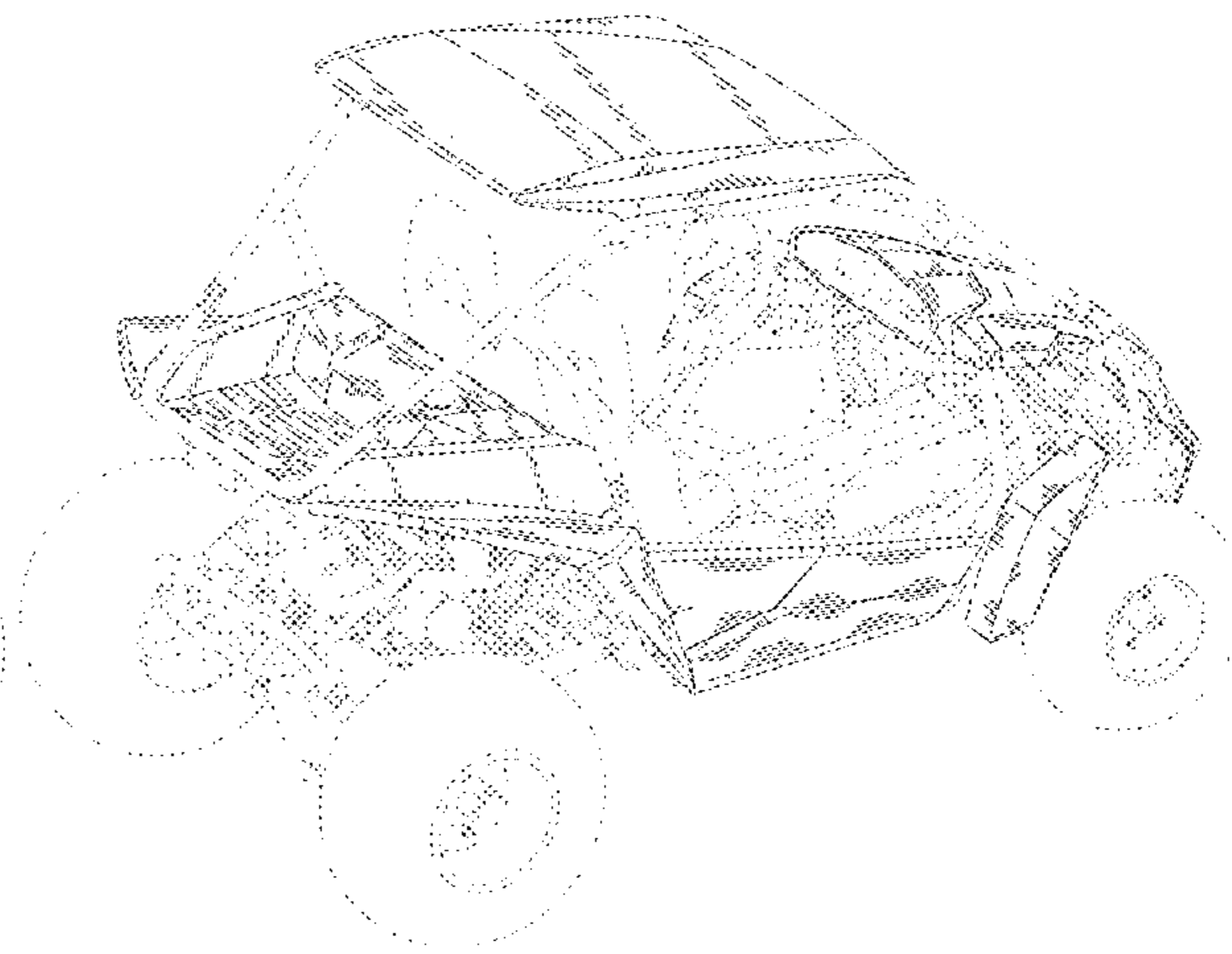
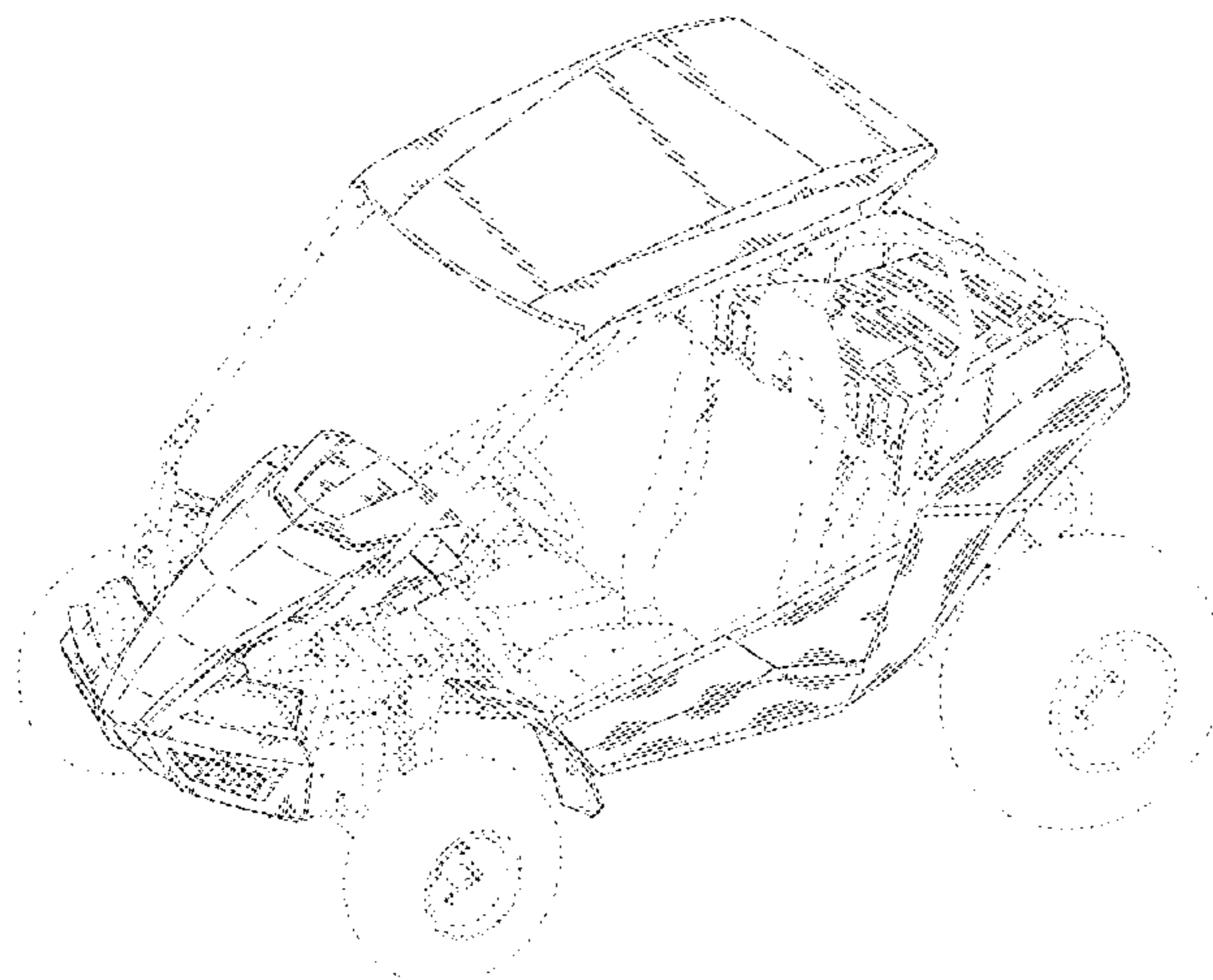
We claim the ornamental design for the all-terrain vehicle, as shown and described.

**DESCRIPTION**

FIG. 1 is a left front perspective view of body panels and a roof for an all-terrain vehicle of the present disclosure; FIG. 2 is a right rear perspective view thereof; FIG. 3 is a left side view thereof; FIG. 4 is a right side view thereof; FIG. 5 is a top view thereof; FIG. 6 is a front view thereof; and, FIG. 7 is a rear view thereof.

The portions of the vehicle and the vehicle components shown in broken lines form no part of the claimed design.

**1 Claim, 7 Drawing Sheets**



(56)

**References Cited**

U.S. PATENT DOCUMENTS

D691,519	S	10/2013	Fisher	
D703,102	S *	4/2014	Eck .....	D12/87
D712,311	S	9/2014	Morgan	
D762,522	S *	8/2016	Kinoshita .....	D12/87
D772,755	S *	11/2016	Tandrup .....	D12/14
D787,985	S	5/2017	Wilcox	
9,713,976	B2 *	7/2017	Miller .....	B60K 13/04
D804,993	S *	12/2017	Eck .....	D12/87
D827,500	S	9/2018	Lovold	
D832,149	S	10/2018	Wilcox	
D835,545	S *	12/2018	Hanten .....	D12/87
D862,286	S *	10/2019	Flores .....	D12/87
D886,678	S *	6/2020	Lai .....	D12/87

\* cited by examiner

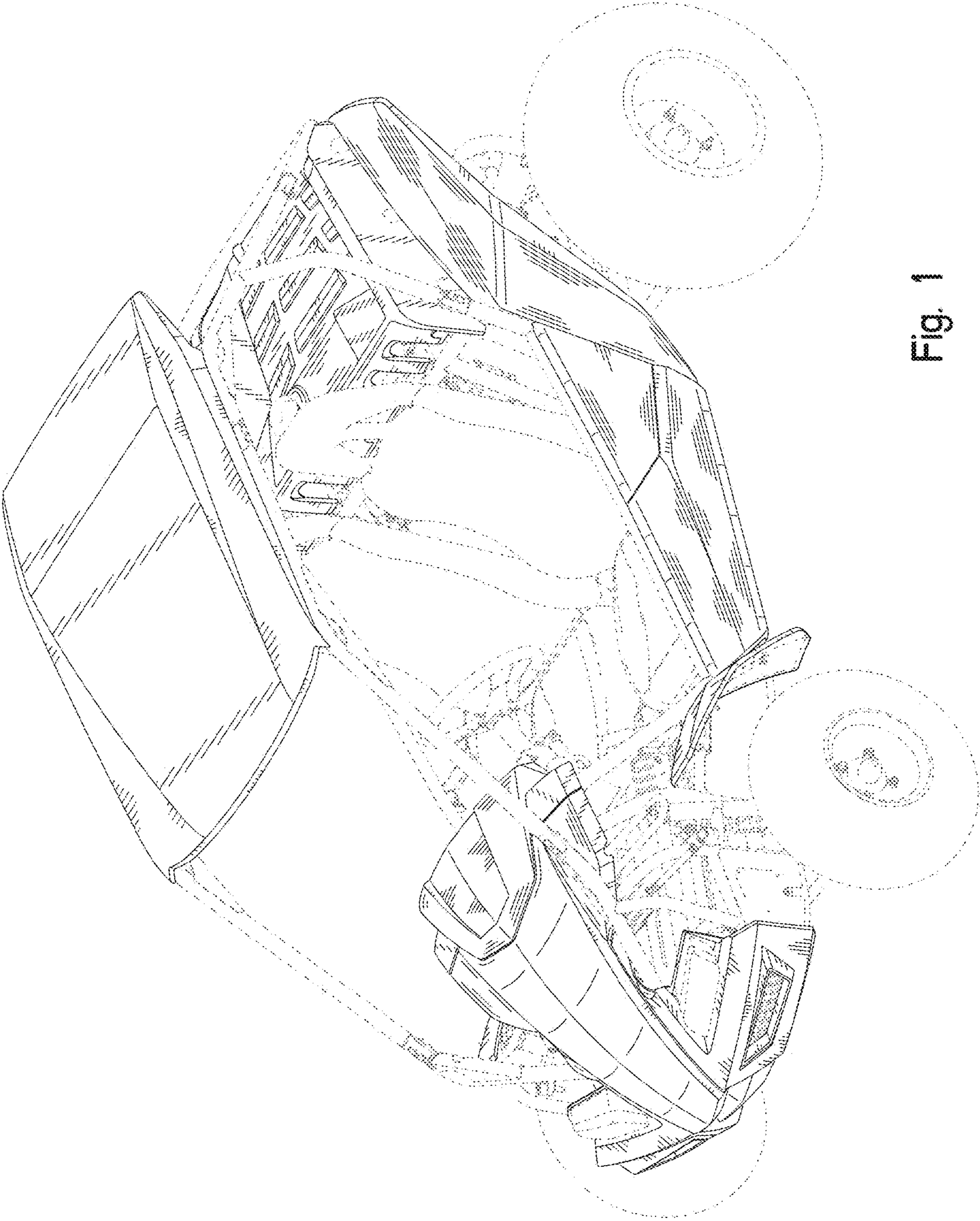


Fig. 1

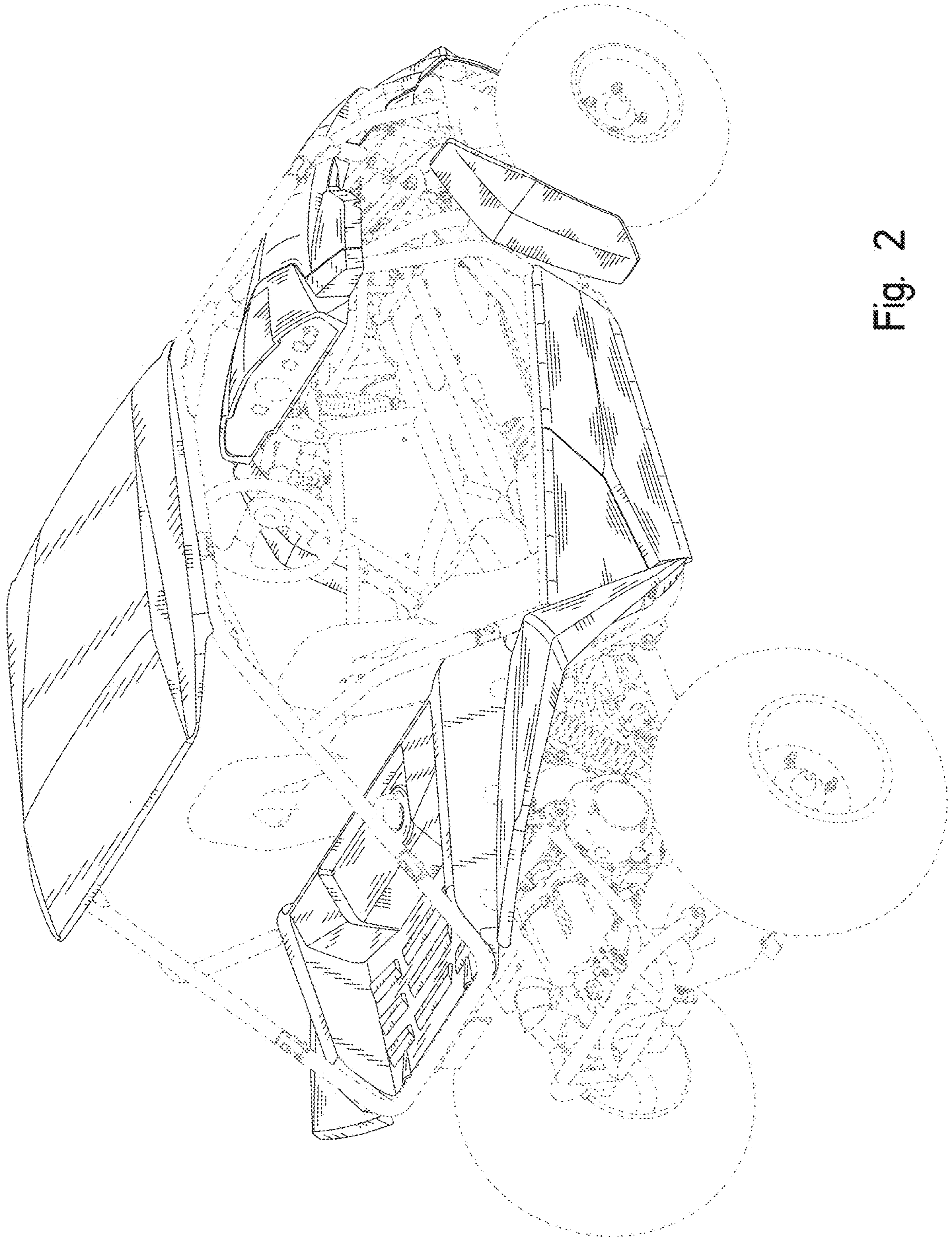


Fig. 2

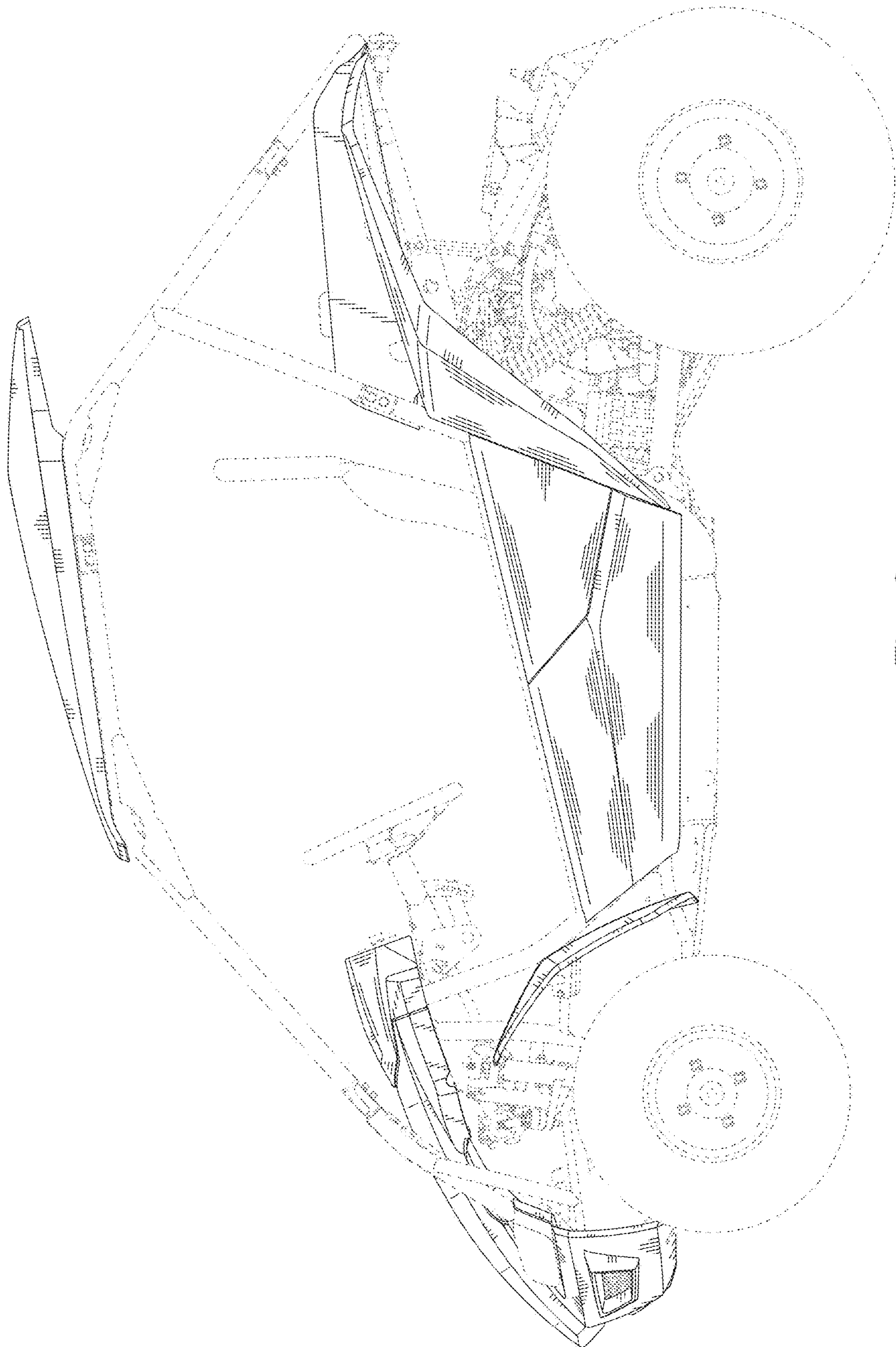


Fig. 3

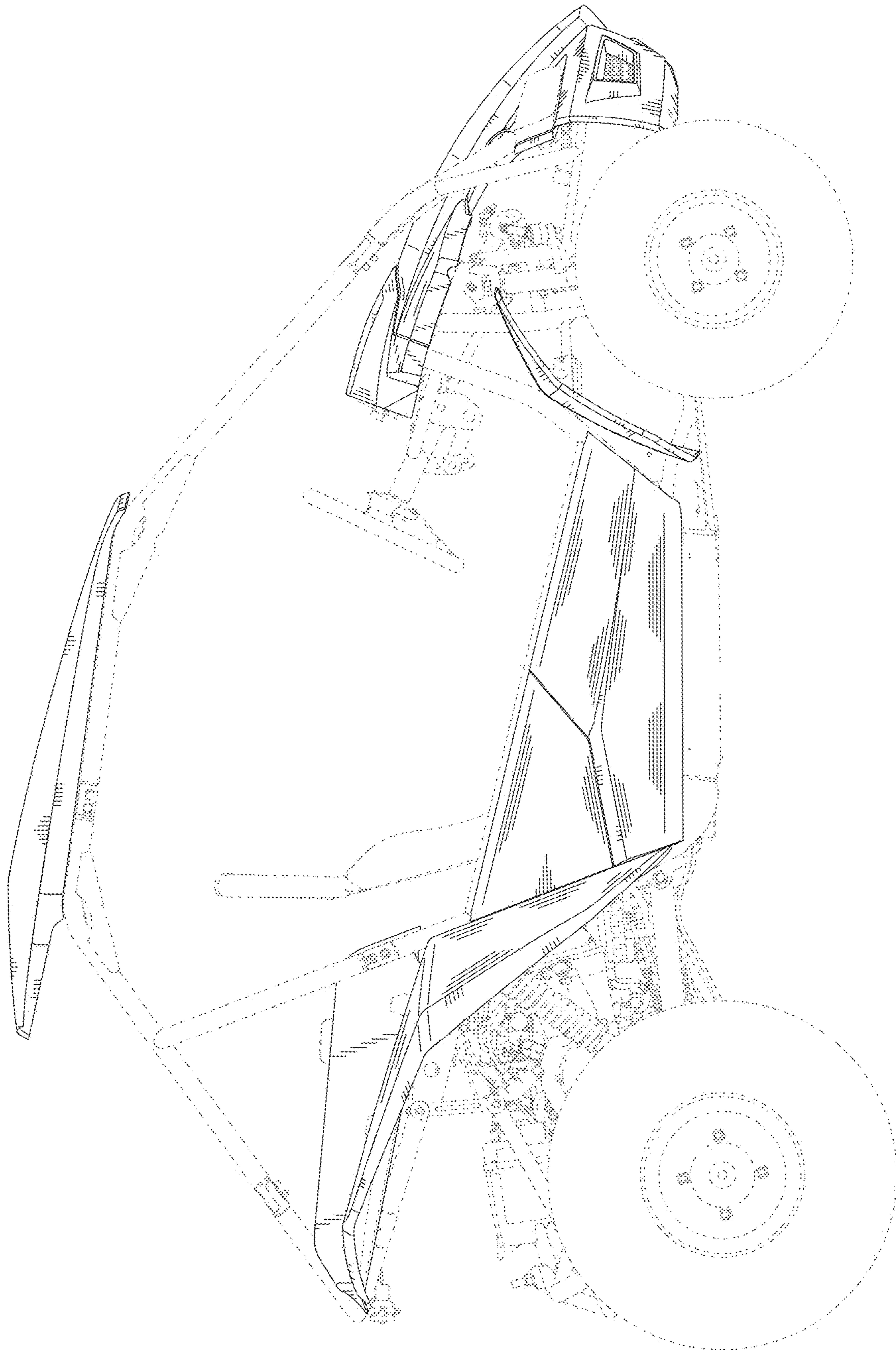


Fig. 4

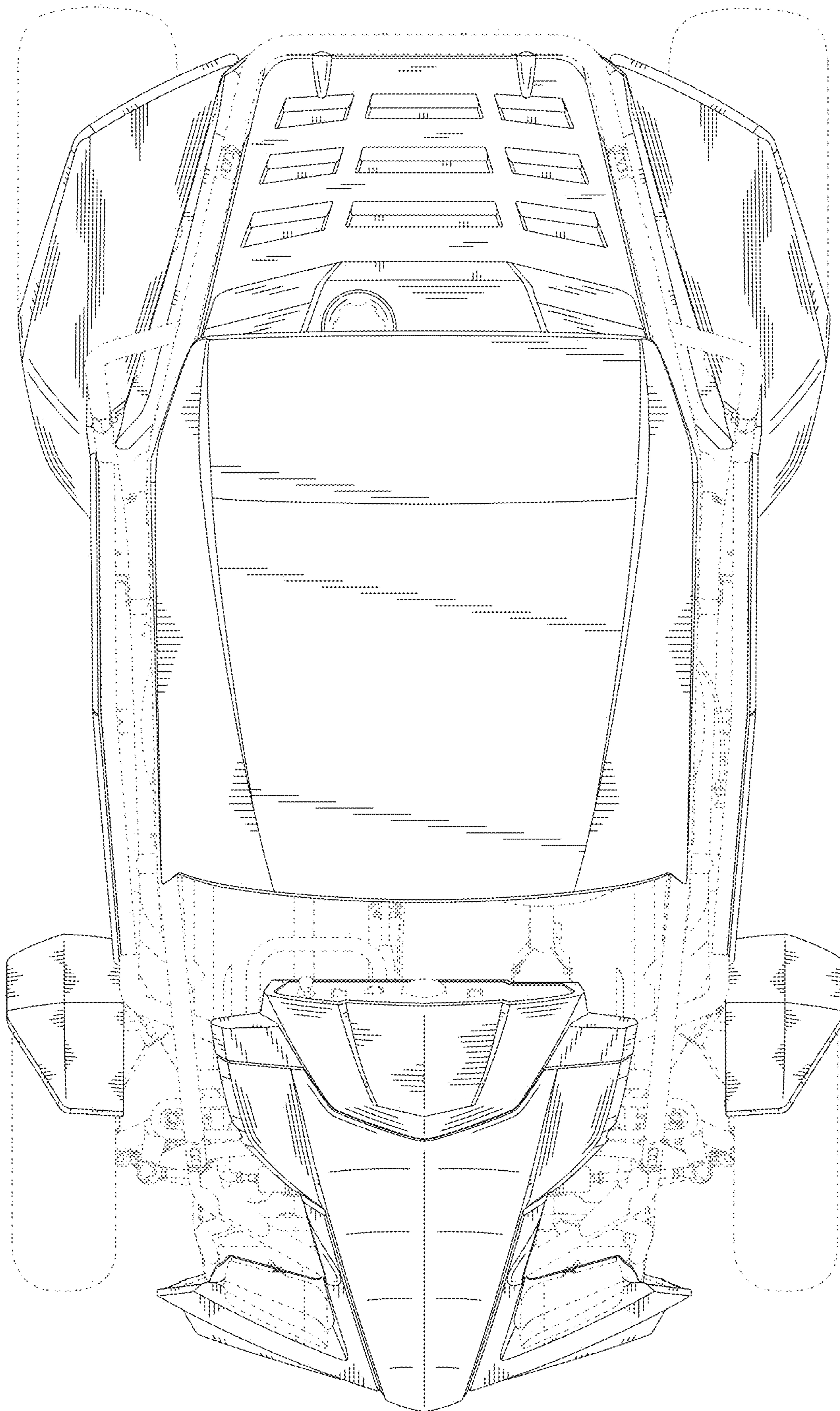


Fig. 5

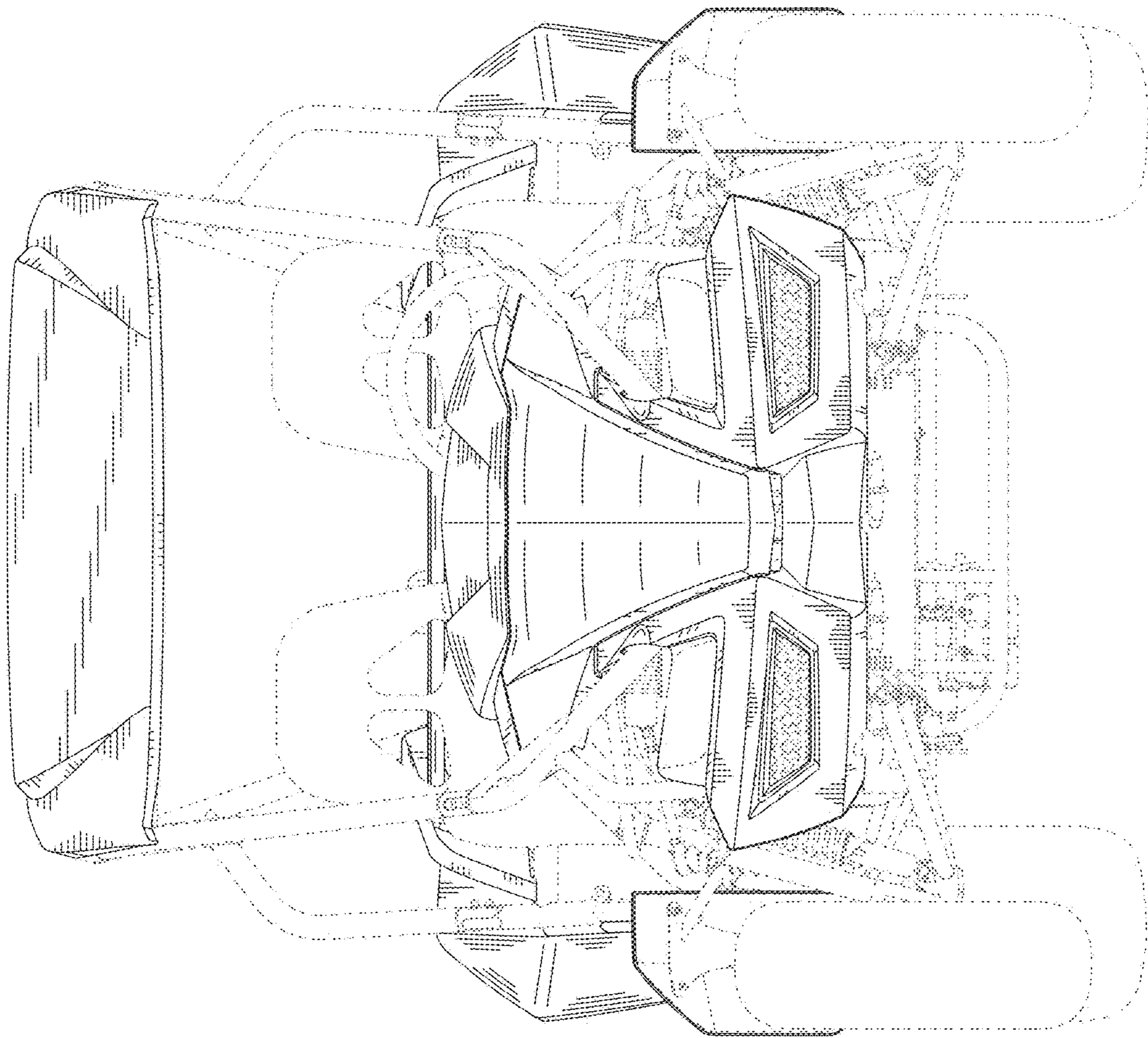


Fig. 6



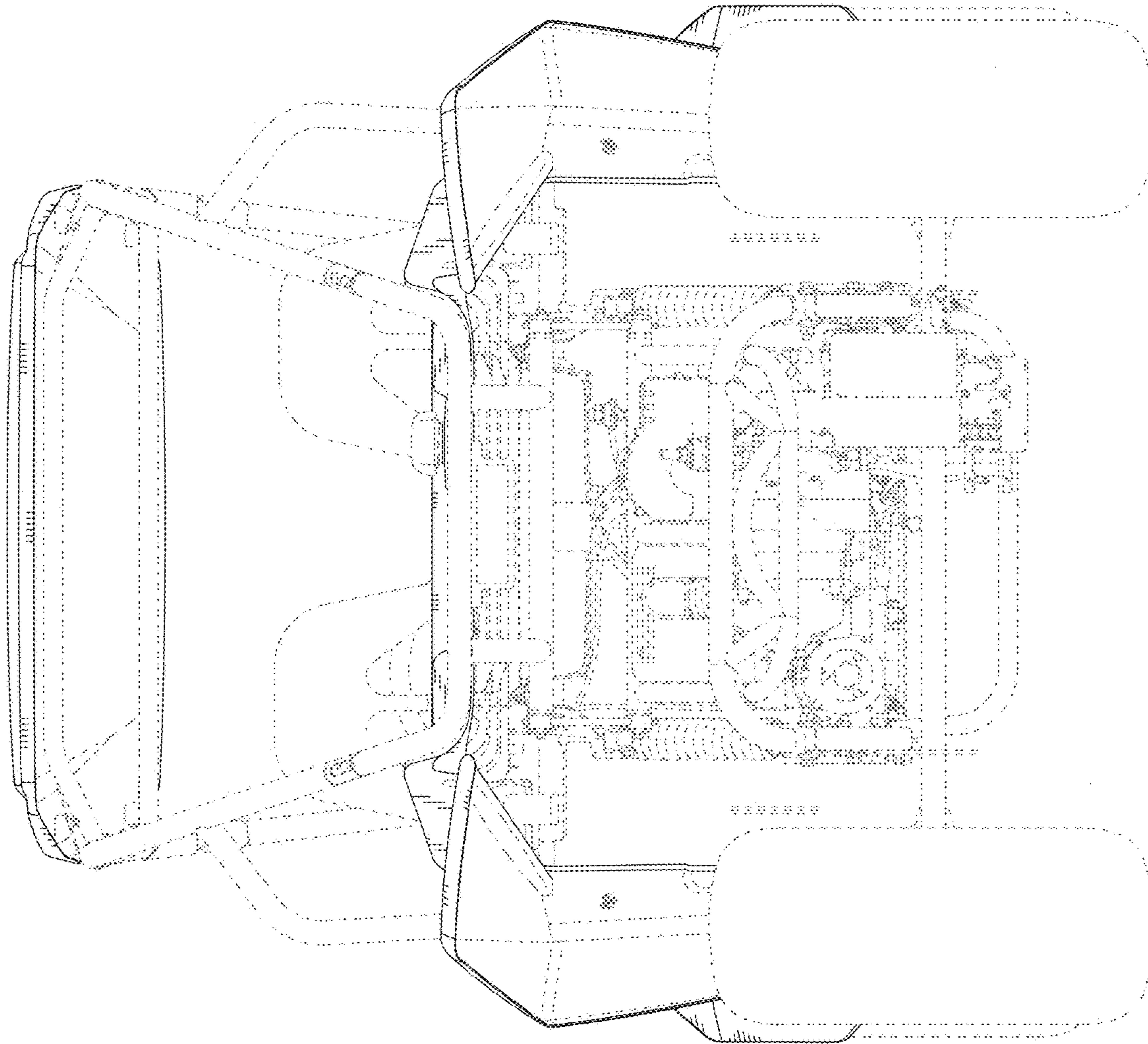


Fig. 7