



US00D908535S

(12) **United States Design Patent**
Ying

(10) **Patent No.:** **US D908,535 S**

(45) **Date of Patent:** **** Jan. 26, 2021**

(54) **VEHICLE FRAME**

(71) Applicant: **Zhejiang Apollo Motorcycle Manufacturing Co., Ltd., Zhejiang (CN)**

(72) Inventor: **Er Ying, Zhejiang (CN)**

(**) Term: **15 Years**

(21) Appl. No.: **29/694,427**

(22) Filed: **Jun. 11, 2019**

(51) **LOC (13) Cl.** **12-08**

(52) **U.S. Cl.**
USPC **D12/87; D21/562**

(58) **Field of Classification Search**
USPC D12/1, 82, 86, 87, 90-92; D21/424, 433, D21/434, 562
CPC B62D 21/02; B62D 21/15; B62D 21/183; B62D 23/005; B62D 65/02; B60K 7/0007; A63G 25/00
See application file for complete search history.

8,210,603 B2 * 7/2012 Favaretto B62D 27/065
296/204

8,276,980 B2 * 10/2012 Boettcher B62D 25/2027
296/193.07

D690,618 S * 10/2013 Gordon D12/82

8,944,492 B2 * 2/2015 Hufnagl B62D 39/00
296/190.01

D775,282 S * 12/2016 Williams D21/426

D783,726 S * 4/2017 Williams D21/426

9,738,318 B2 * 8/2017 Rompage B62D 25/04

9,988,090 B2 * 6/2018 Nishikawa B62D 21/152

10,011,303 B1 * 7/2018 Mandalia B62D 21/02

10,214,243 B2 * 2/2019 Elbkaily B62D 21/02

10,336,372 B1 * 7/2019 Upah B62D 25/088

D896,898 S * 9/2020 Baumgartner D21/426

* cited by examiner

Primary Examiner — Darlington Ly

(74) *Attorney, Agent, or Firm* — Prakash Nama; Global IP Services, PLLC

(57) **CLAIM**

The ornamental design for a vehicle frame, as shown and described.

DESCRIPTION

FIG. 1 is a perspective view of a vehicle frame showing my new design;

FIG. 2 is a front elevational view thereof;

FIG. 3 is a rear elevational view thereof;

FIG. 4 is a top plan view thereof;

FIG. 5 is a bottom plan view thereof;

FIG. 6 is a right side elevational view thereof; and,

FIG. 7 is a left side elevational view thereof.

The broken lines in the drawings illustrate portions of the vehicle frame that form no part of the claimed design.

(56) **References Cited**

U.S. PATENT DOCUMENTS

D250,944 S * 1/1979 Moore D12/110

D253,407 S * 11/1979 Moore D12/112

D585,788 S * 2/2009 Burns D12/87

D585,789 S * 2/2009 Burns D12/87

D585,790 S * 2/2009 Burns D12/87

D586,260 S * 2/2009 Burns D12/87

D586,261 S * 2/2009 Burns D12/87

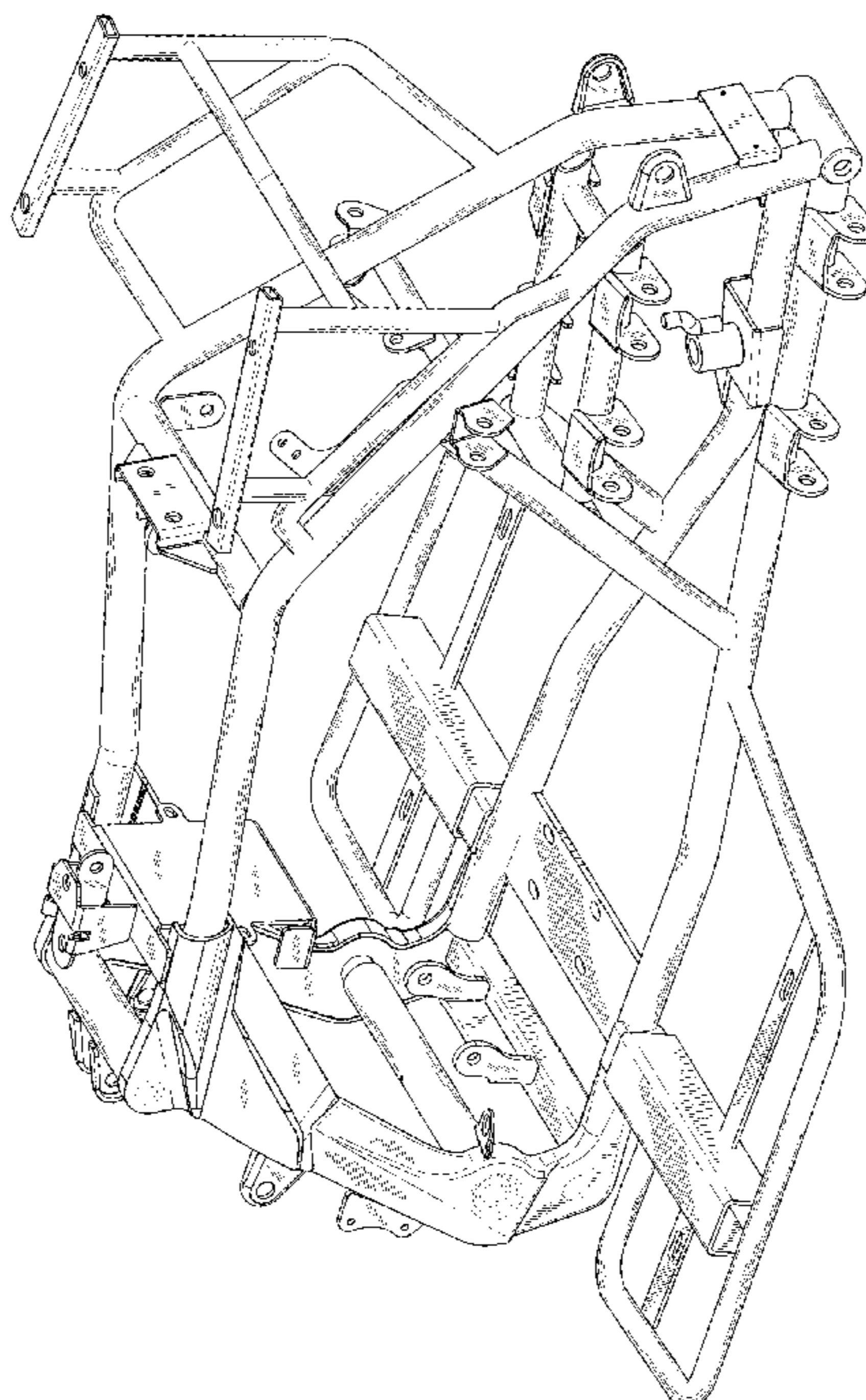
D586,695 S * 2/2009 Burns D12/87

D586,696 S * 2/2009 Burns D12/87

D642,960 S * 8/2011 Berrier D12/82

8,196,696 B2 * 6/2012 Karube B62D 21/152
180/311

1 Claim, 7 Drawing Sheets



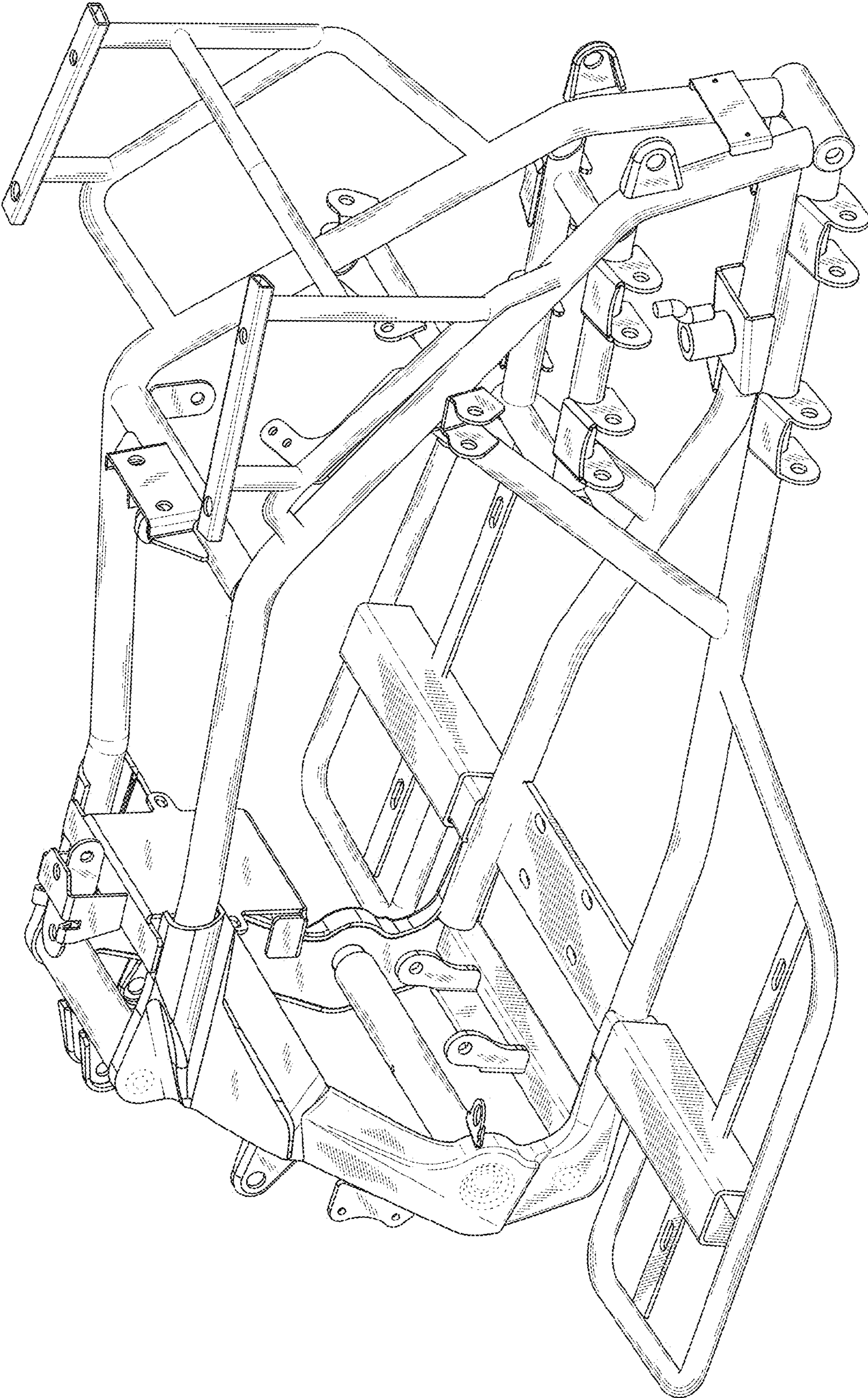


FIG. 1

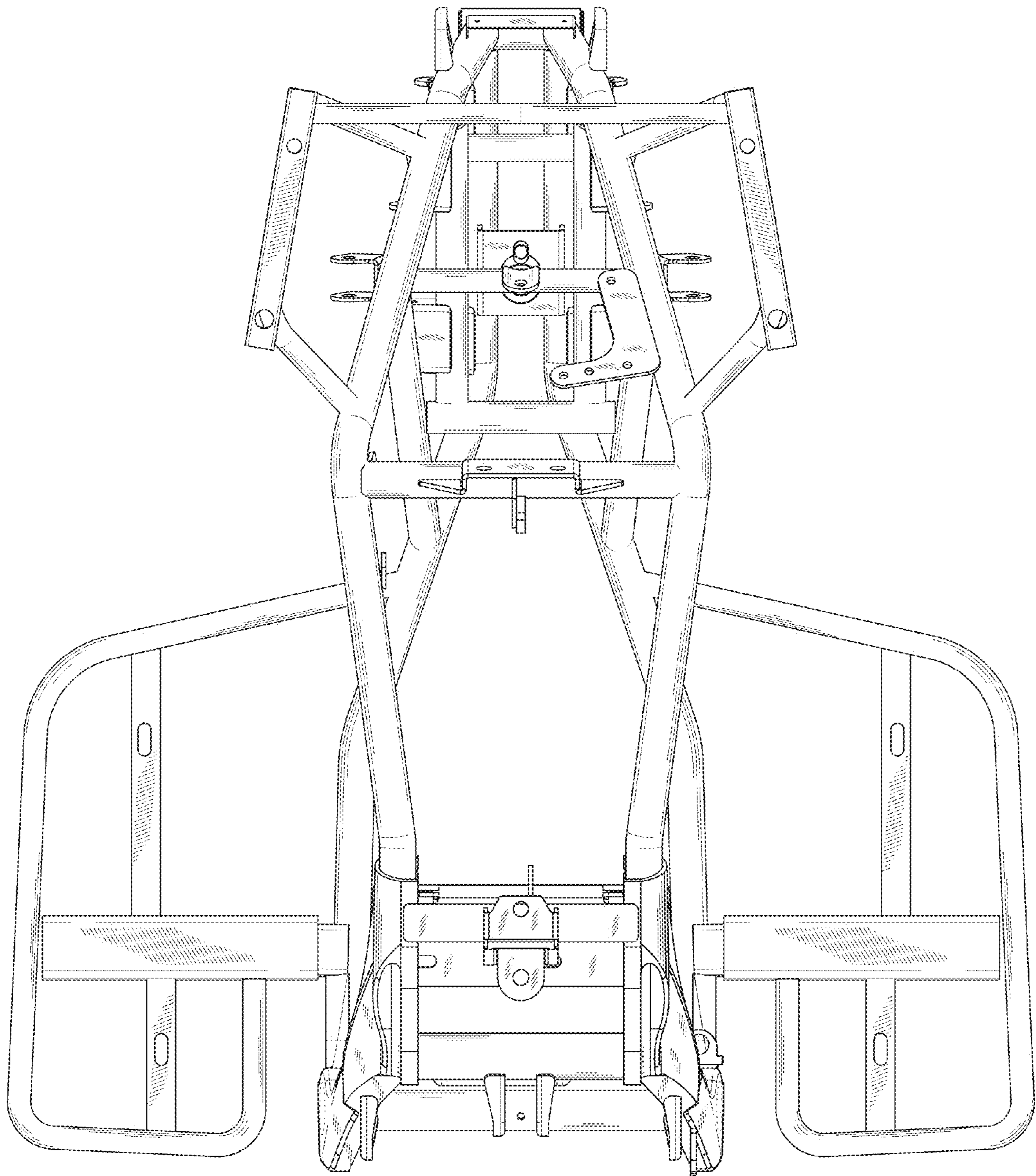


FIG. 2

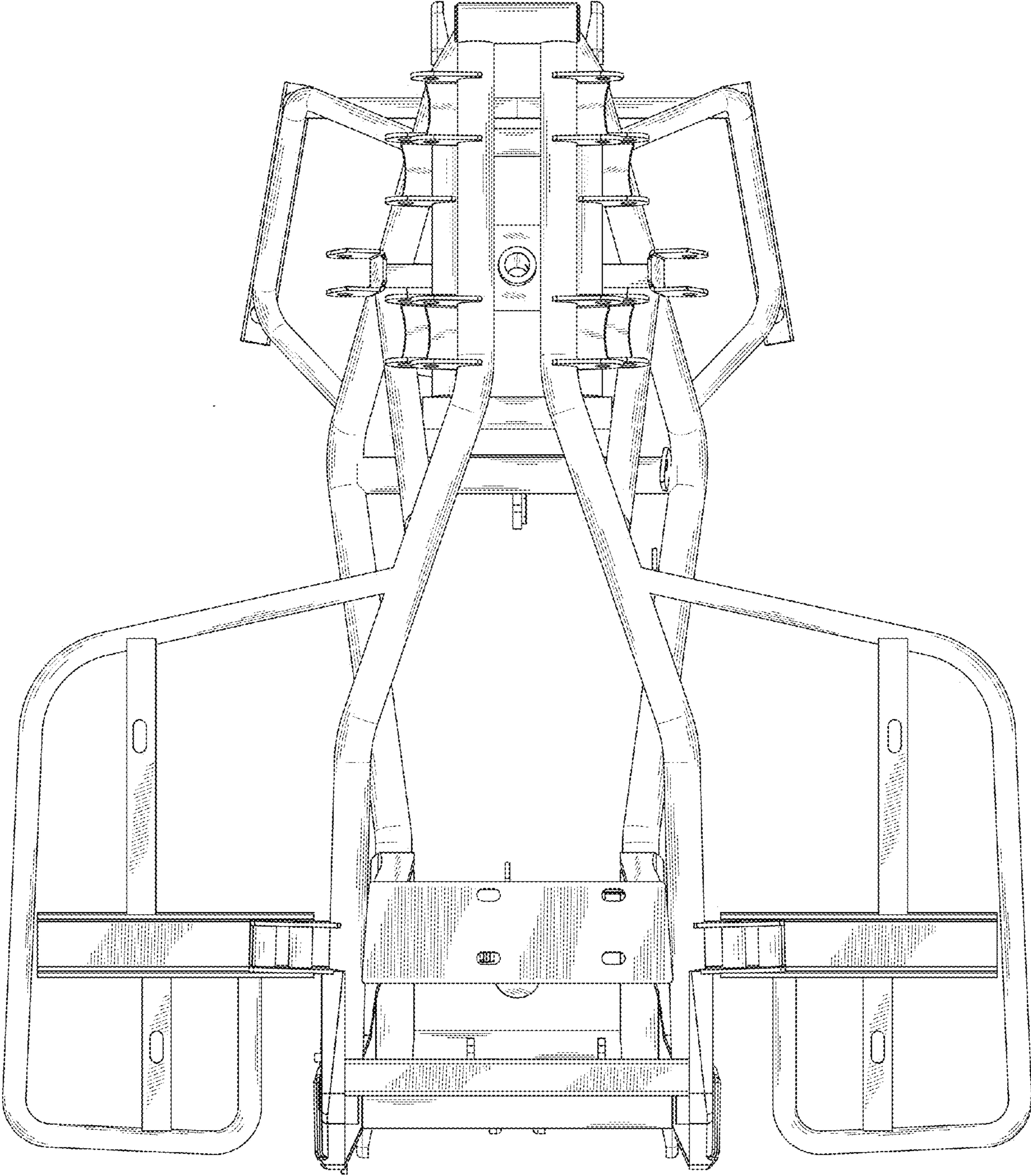


FIG. 3

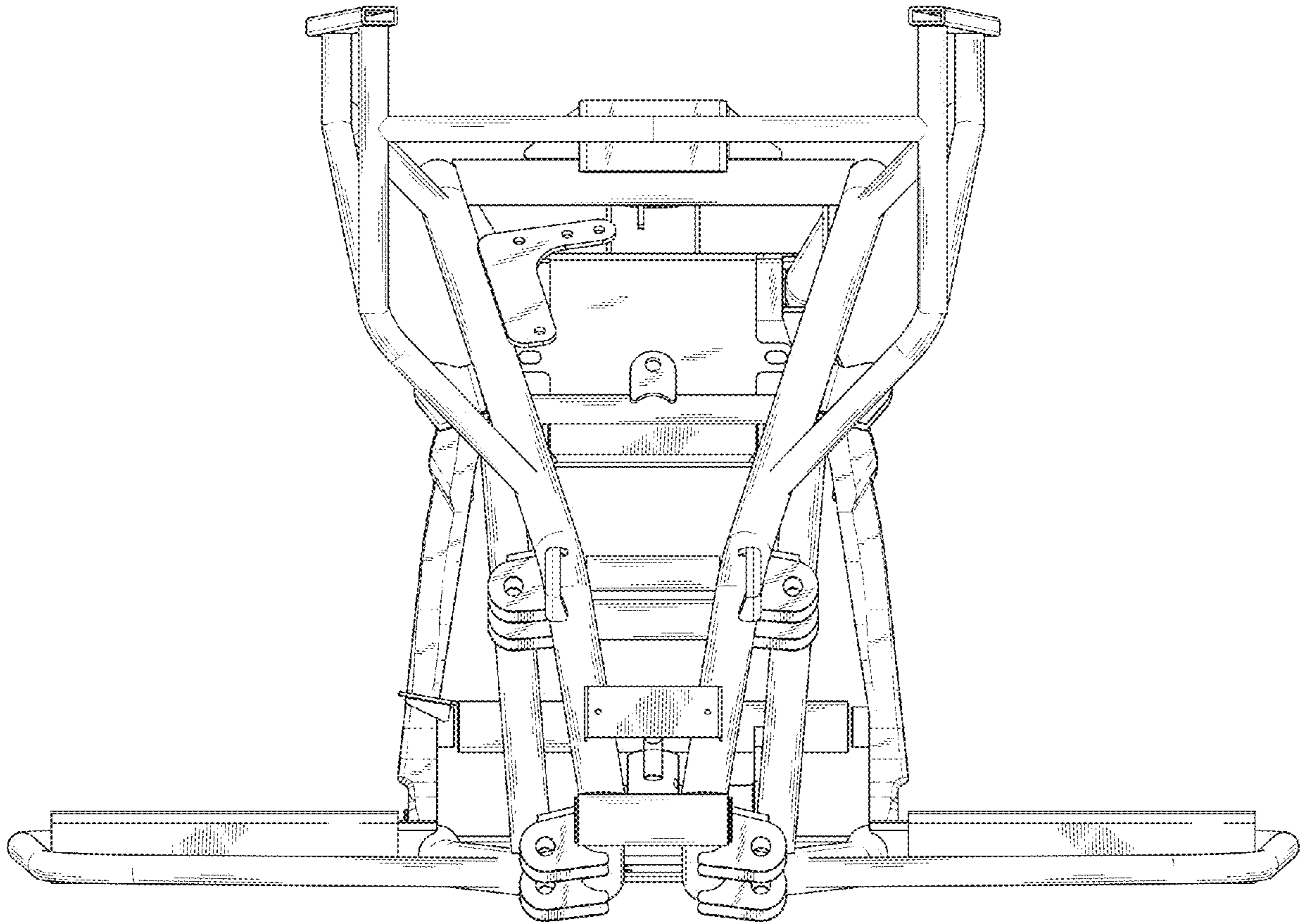


FIG. 4

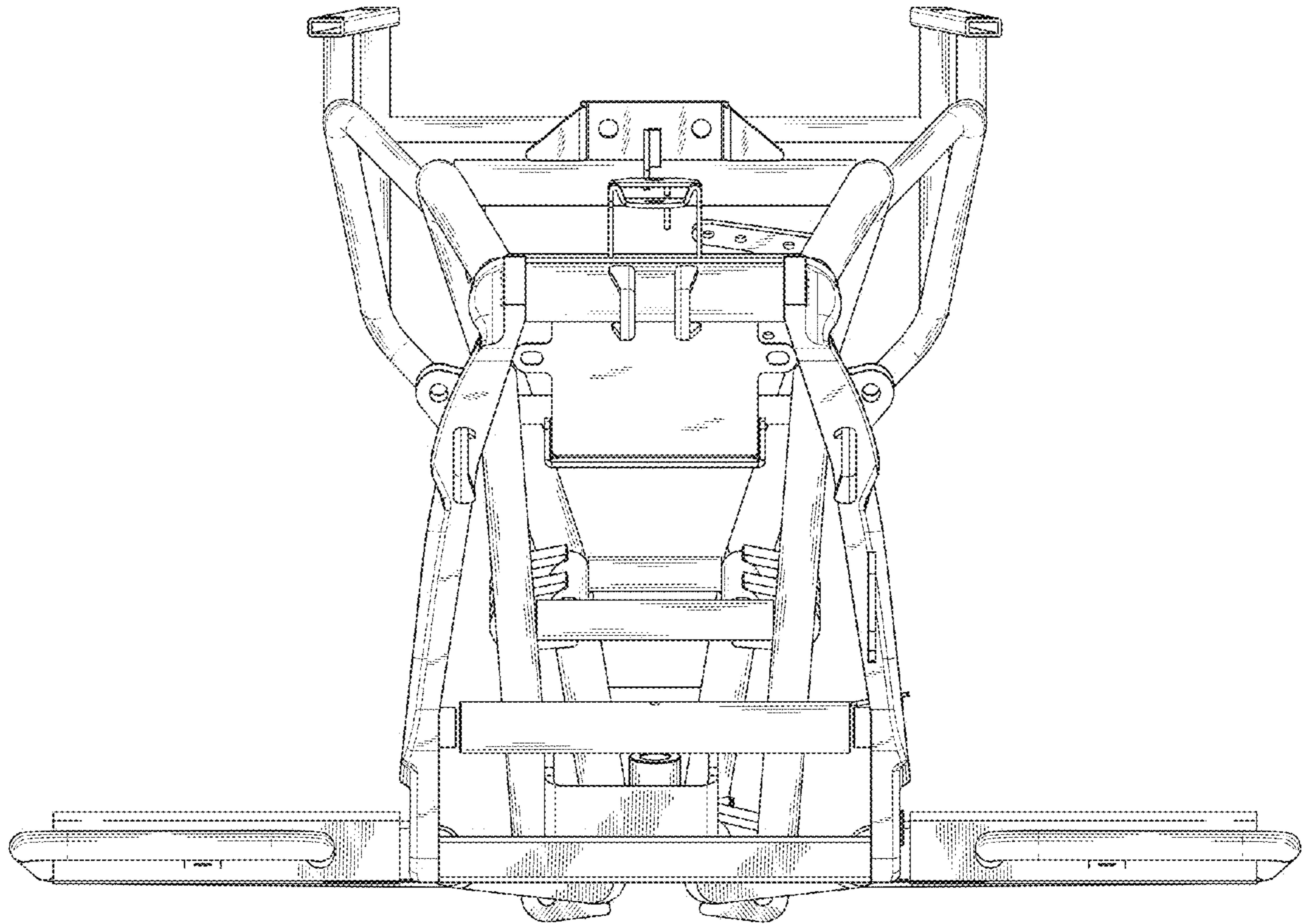


FIG. 5

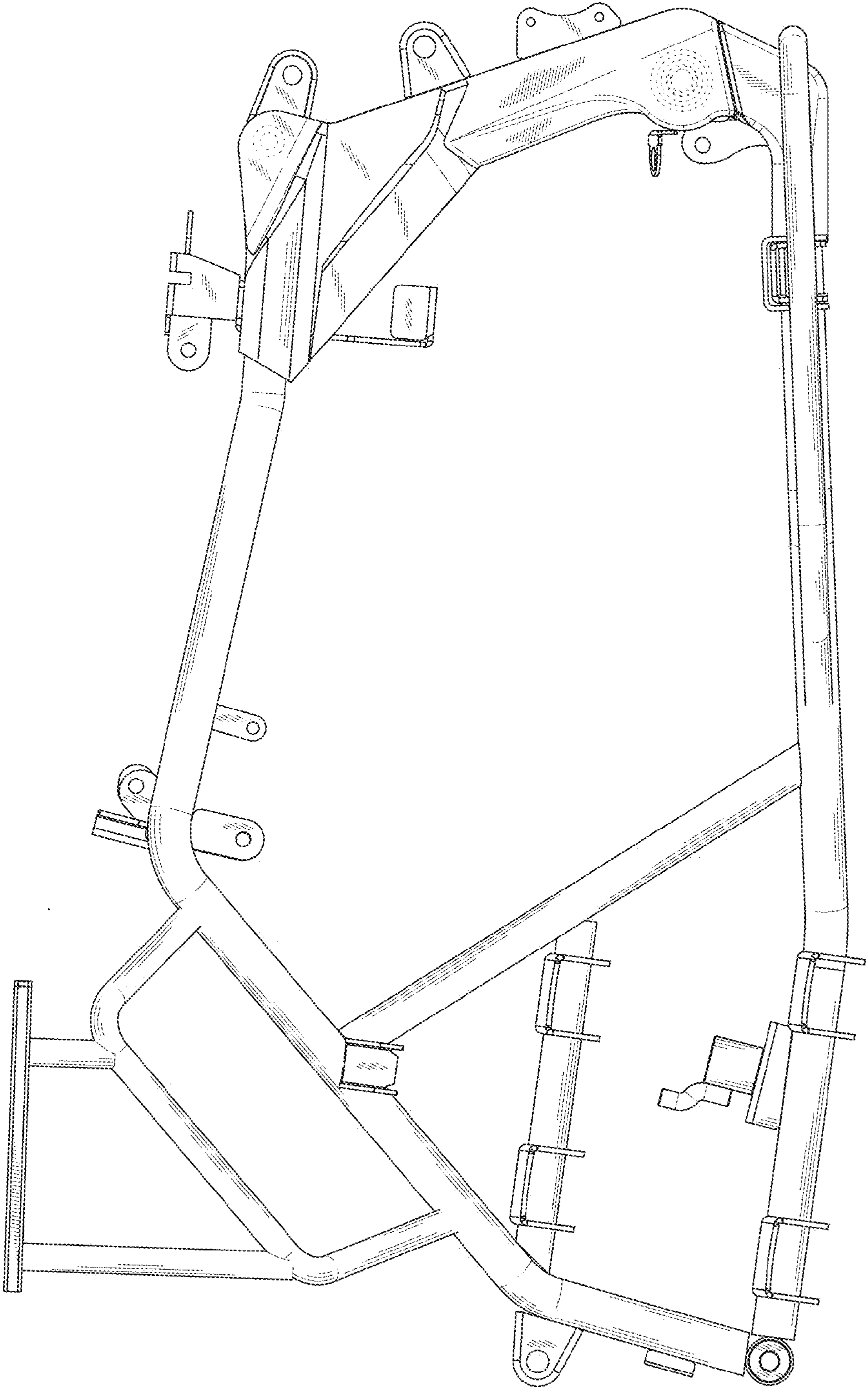


FIG. 6

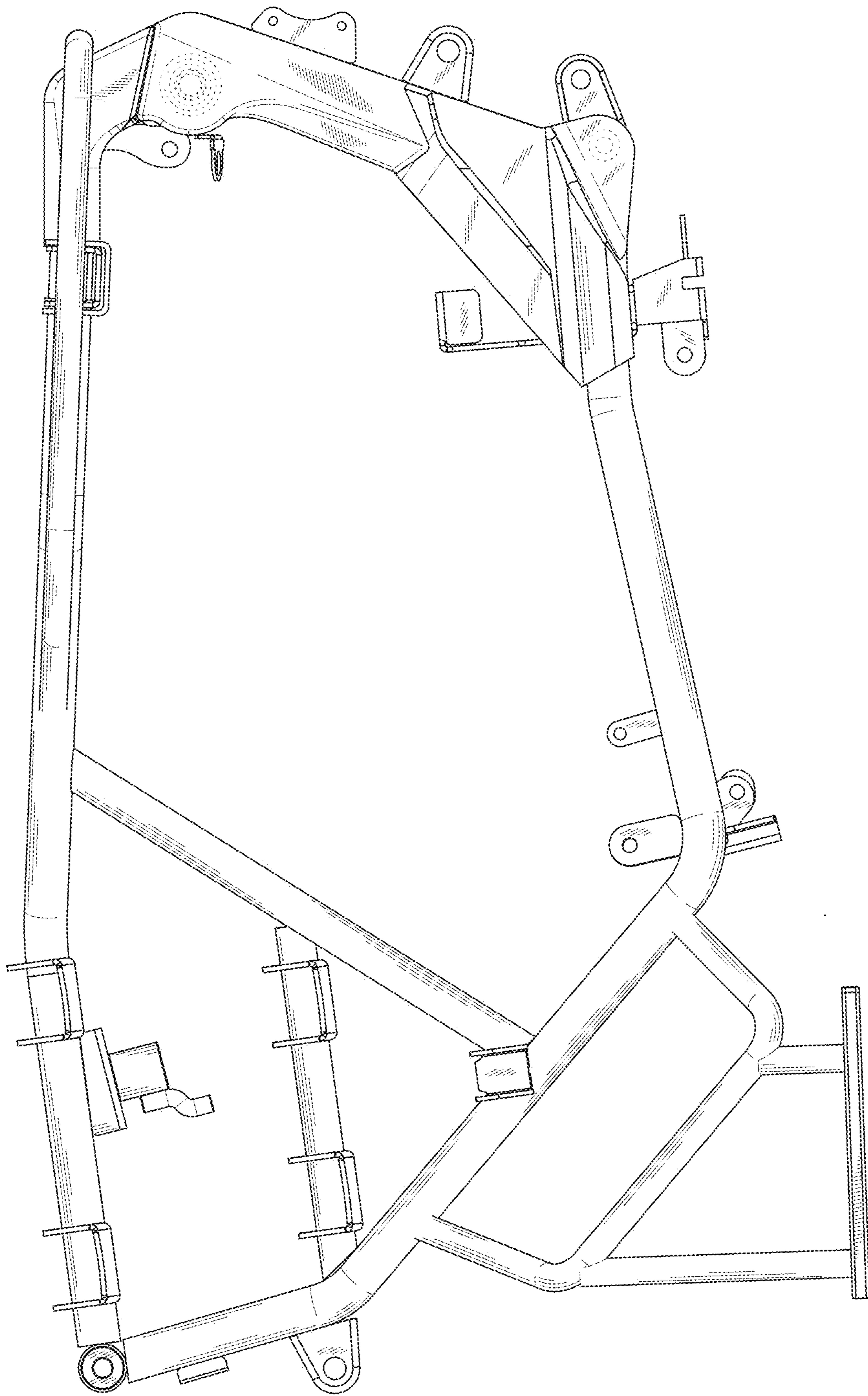


FIG. 7