



US00D908534S

(12) **United States Design Patent**
Ovacik et al.

(10) **Patent No.:** **US D908,534 S**

(45) **Date of Patent:** **** *Jan. 26, 2021**

(54) **MOTOR VEHICLE BODY**

(71) Applicant: **Volvo Truck Corporation**, Gothenburg (SE)

(72) Inventors: **Ismail Ovacik**, Gothenburg (SE);
Patrik Palovaara, Jonsered (SE)

(73) Assignee: **VOLVO TRUCK CORPORATION**, Göteborg (SE)

(*) Notice: This patent is subject to a terminal disclaimer.

(**) Term: **15 Years**

(21) Appl. No.: **29/681,616**

(22) Filed: **Feb. 27, 2019**

(30) **Foreign Application Priority Data**

Sep. 5, 2018 (EM) 005630134-0001
Sep. 5, 2018 (EM) 005630134-0002
Sep. 5, 2018 (EM) 005630134-0003

(51) **LOC (13) Cl.** **12-08**

(52) **U.S. Cl.**
USPC **D12/86**

(58) **Field of Classification Search**
USPC D12/1, 14, 82, 93-100, 86; D21/533, D21/552-560
CPC B62D 33/06; B62D 33/0617; B62D 33/0621; B62D 33/0625; B62D 39/00; B62D 49/005; B62D 49/007
See application file for complete search history.

(56) **References Cited**

U.S. PATENT DOCUMENTS

D463,759 S * 10/2002 Okonkwo D12/98
D511,999 S * 11/2005 Gunby D12/82

D516,955 S * 3/2006 Gunby D12/82
D544,814 S * 6/2007 Gunby D12/1
D551,127 S * 9/2007 Krugger D12/98
D564,946 S * 3/2008 Krugger D12/98
D802,484 S * 11/2017 Barkan D12/93
D877,659 S * 3/2020 Sjolholm D12/93

OTHER PUBLICATIONS

Volvo Trucks, Introducing Vera, the future of autonomous transport, published Sep. 12, 2018 via YouTube.com. Retrieved from the internet Oct. 8, 2020. <URL: <https://youtu.be/2Gc1zz5bI81> > (Year: 2018).*

* cited by examiner

Primary Examiner — George D. Kirschbaum

Assistant Examiner — Joseph J Kukella

(74) *Attorney, Agent, or Firm* — Tucker Ellis LLP

(57) **CLAIM**

The ornamental design for a motor vehicle body, as shown and described.

DESCRIPTION

FIG. 1 is a front-top-left perspective view of a motor vehicle body showing our new design;
FIG. 2 is a front view thereof;
FIG. 3 is a rear view thereof;
FIG. 4 is a left side view thereof;
FIG. 5 is a right side view thereof; and,
FIG. 6 is a top view thereof.

1 Claim, 6 Drawing Sheets

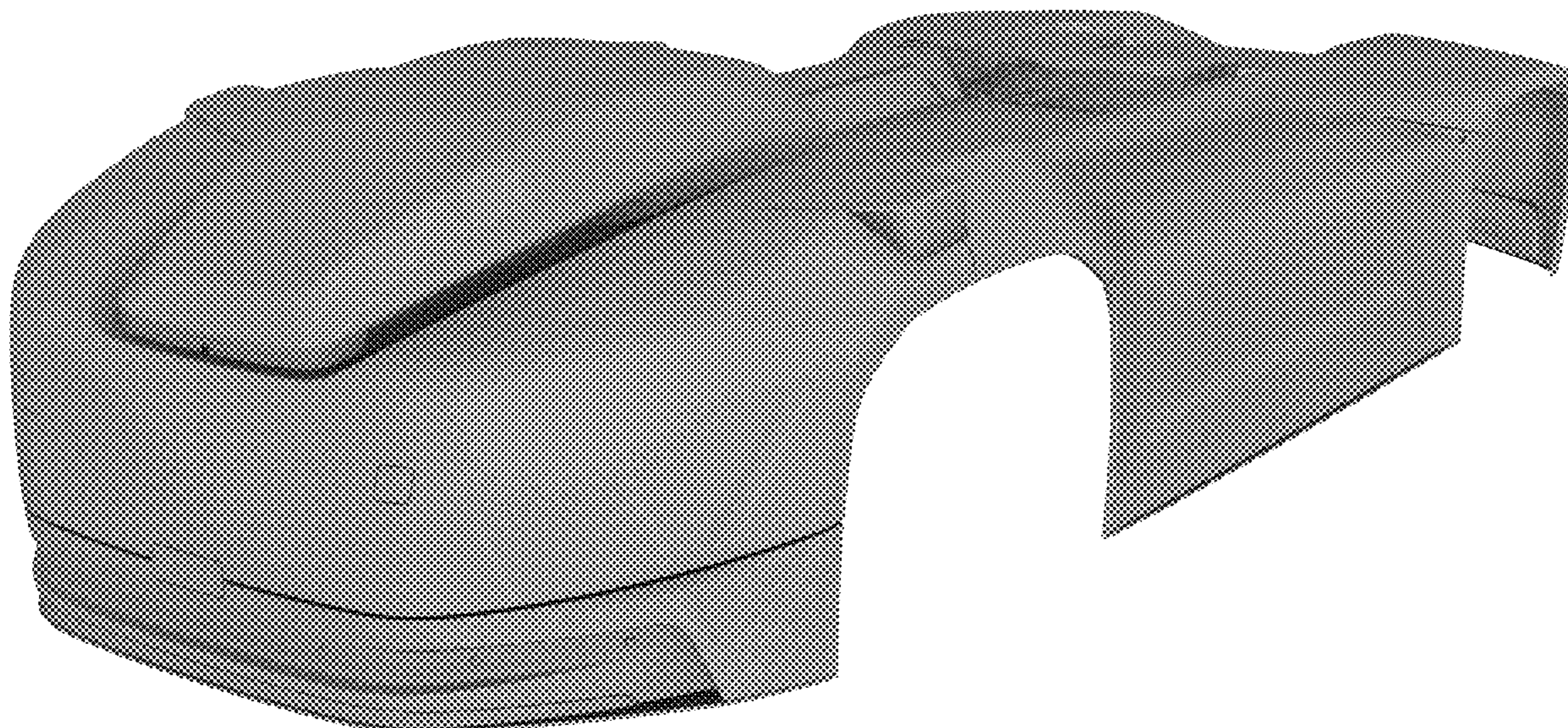




FIG. 1

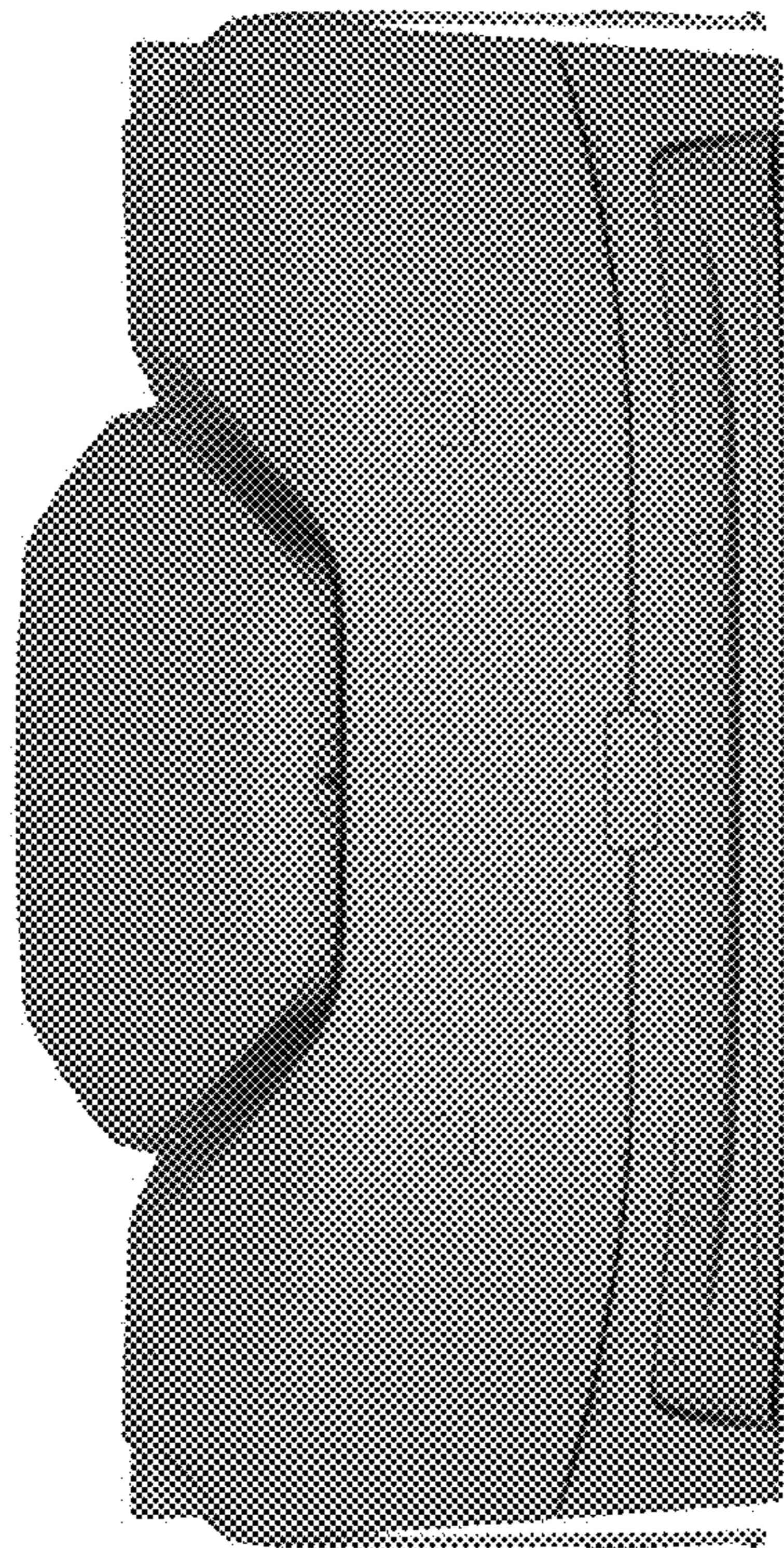


FIG. 2

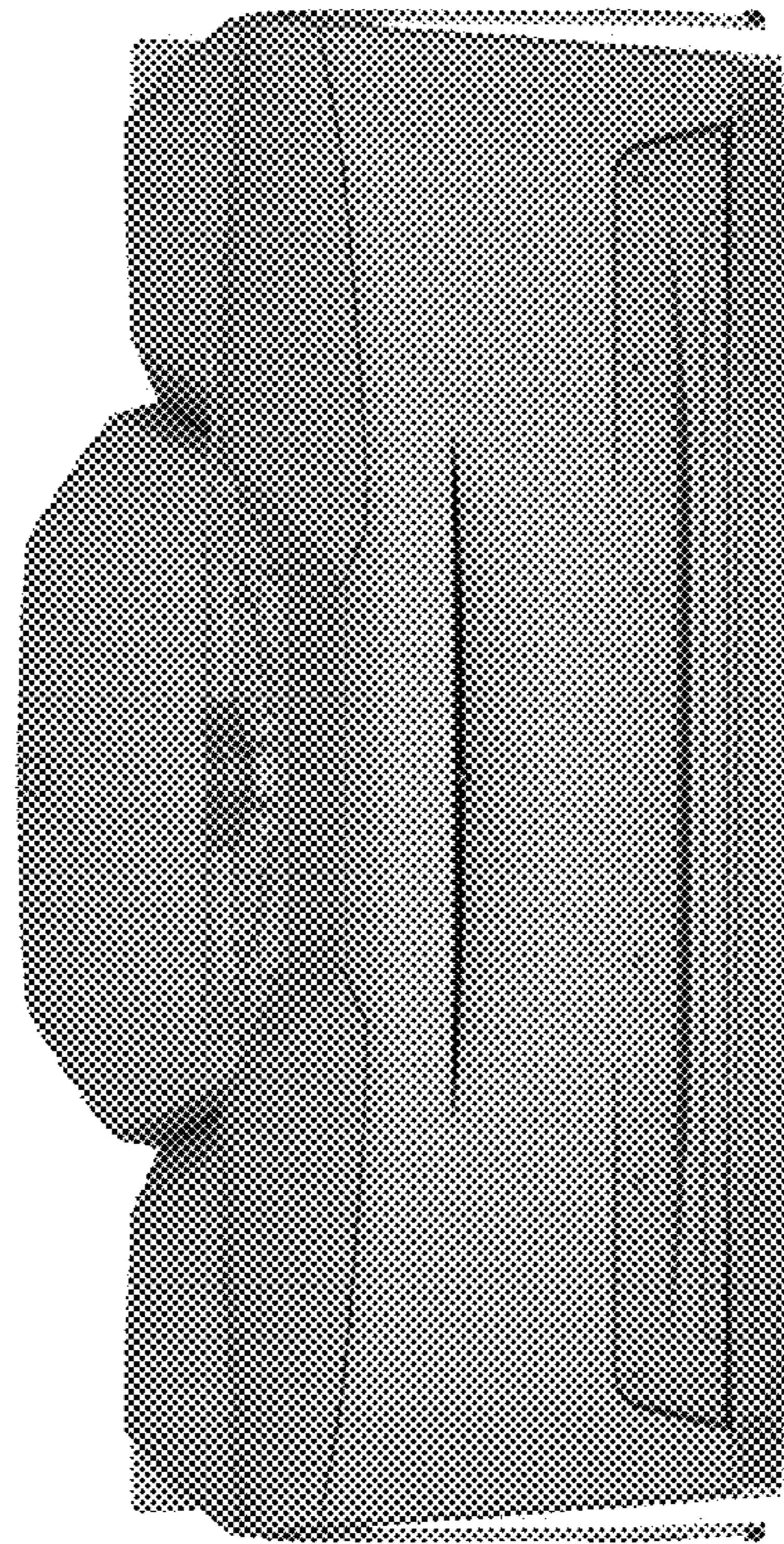


FIG. 3

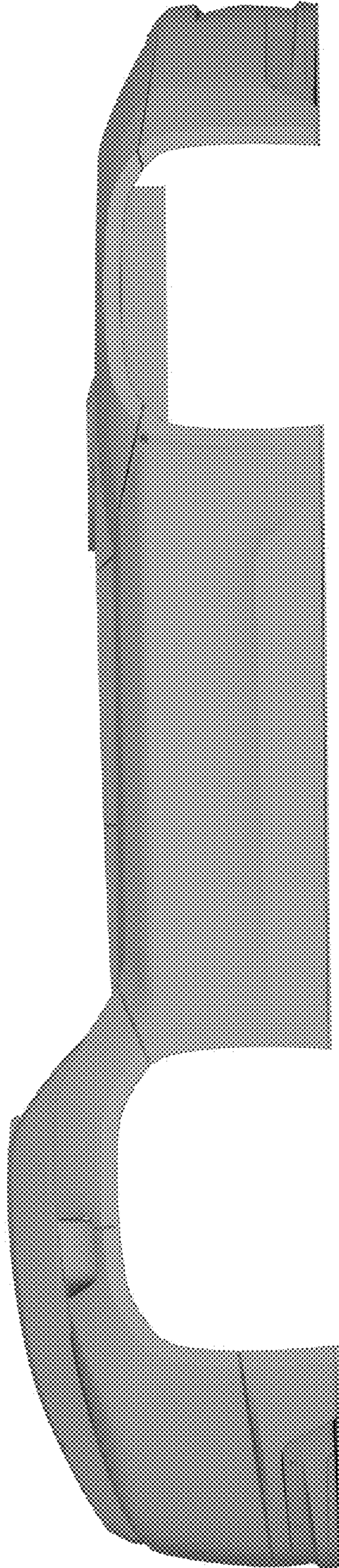


FIG. 4

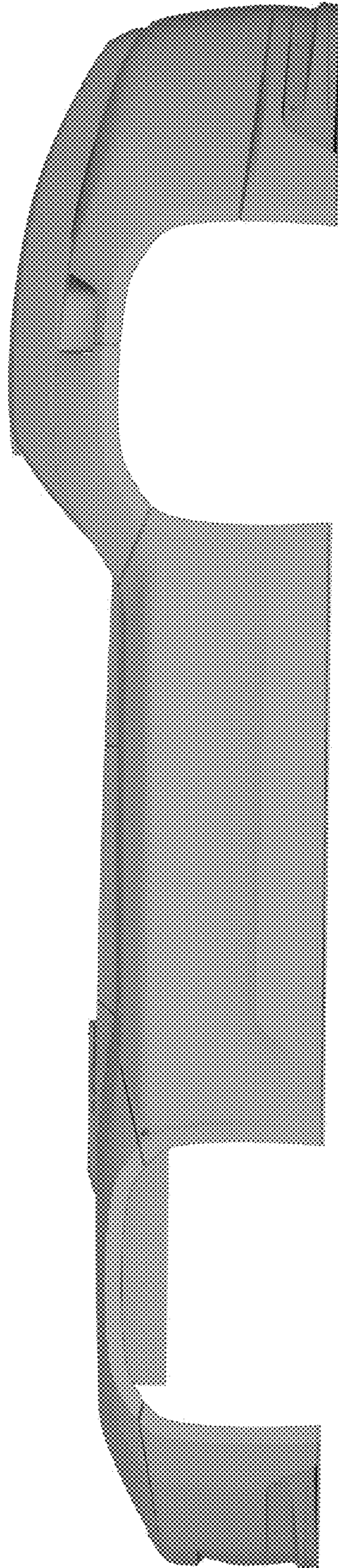


FIG. 5

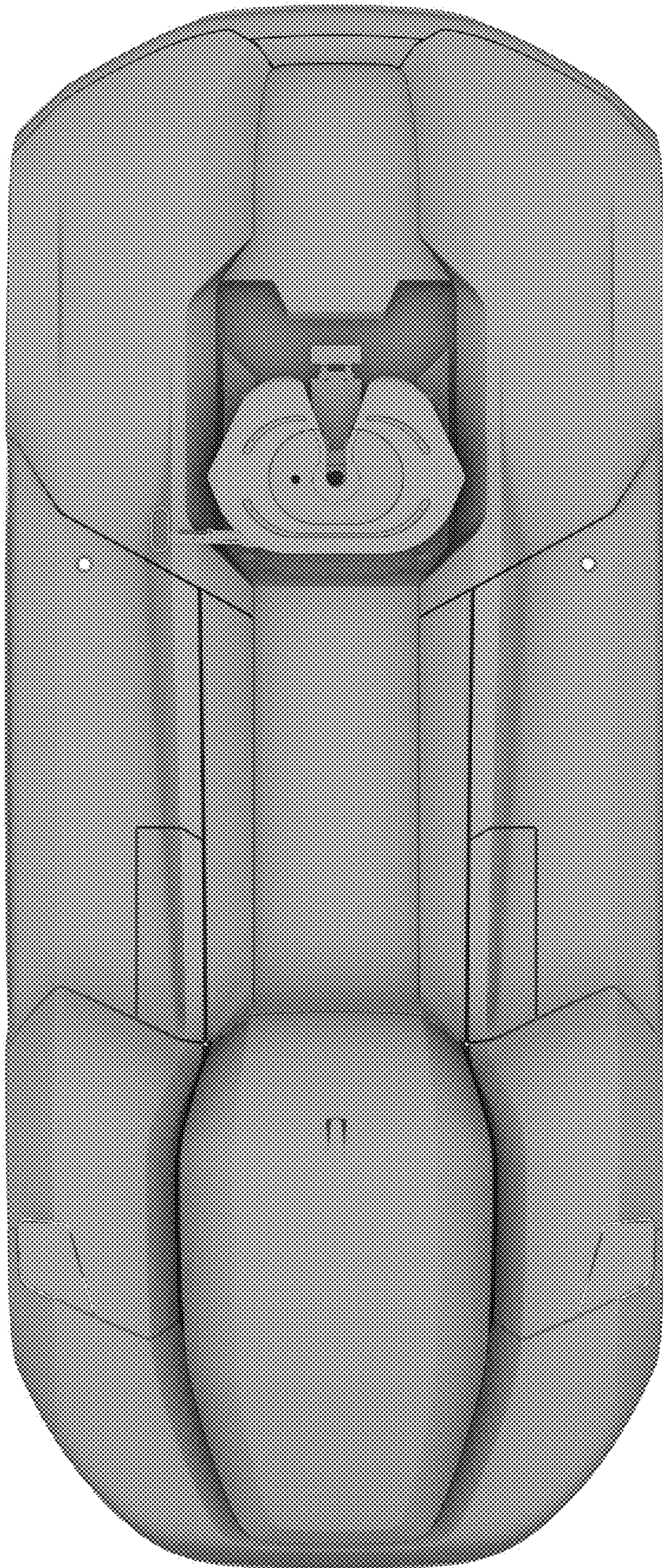


FIG. 6