



US00D908532S

(12) **United States Design Patent**
Preest

(10) **Patent No.:** **US D908,532 S**

(45) **Date of Patent:** **** Jan. 26, 2021**

- (54) **HOVERCRAFT**
- (71) Applicant: **Stephen John Preest**, Glasnevin (NZ)
- (72) Inventor: **Stephen John Preest**, Glasnevin (NZ)
- (73) Assignee: **TOPFLOW CHI-TECH LIMITED**
- (**) Term: **15 Years**
- (21) Appl. No.: **29/669,915**
- (22) Filed: **Nov. 13, 2018**
- (51) **LOC (13) Cl.** **12-13**
- (52) **U.S. Cl.**
USPC **D12/5**
- (58) **Field of Classification Search**
USPC D12/3, 5, 214, 300, 305, 309, 316, 317,
D12/318, 324; D21/542
CPC B63B 11/00; B63H 7/02; B63H 21/17;
B63C 13/00; B60F 3/00
See application file for complete search history.

- 5,522,470 A * 6/1996 Stiegler B60V 1/11
114/67 A
- 5,836,413 A * 11/1998 Liao B60V 1/14
180/116
- 6,591,928 B1 * 7/2003 Blum B60V 1/14
180/117

OTHER PUBLICATIONS

AirFlow Hovercraft, hovercrafts.co.nz/en/ [online]. Published on or before May 20, 2020, [retrieved on May 20, 2020]. Retrieved from the Internet: <URL: hovercrafts.co.nz/en/> (Year: 2020).*

App No. 184561—Hovercraft—Country_CA. [retrieved on May 20, 2020]. Retrieved from: Questel (Year: 2020).*

New Zealand Airflow Hovercraft Explorer, www.youtube.com [online]. Published on or before Mar. 19, 2019, [retrieved on May 20, 2020]. Retrieved from the Internet: <URL: https://www.youtube.com/watch?v=6ssK4XNuOfQ> (Year: 2019).*

* cited by examiner

Primary Examiner — Michael A. Pratt
Assistant Examiner — Adam C Mager
 (74) *Attorney, Agent, or Firm* — Galbreath Law Offices, P.C.; John A. Galbreath

(56) **References Cited**

U.S. PATENT DOCUMENTS

- 4,718,501 A * 1/1988 Lawler B60V 3/02
180/117
- 4,747,459 A * 5/1988 Penha B60V 1/16
180/120
- D321,674 S * 11/1991 Chia D12/5
- 5,125,470 A * 6/1992 Saunders B60V 1/043
180/116
- 5,279,379 A * 1/1994 Sixsmith B60V 1/14
180/117
- D344,694 S * 3/1994 Stiegler D12/5
- 5,520,261 A * 5/1996 Stiegler B60V 1/11
180/127

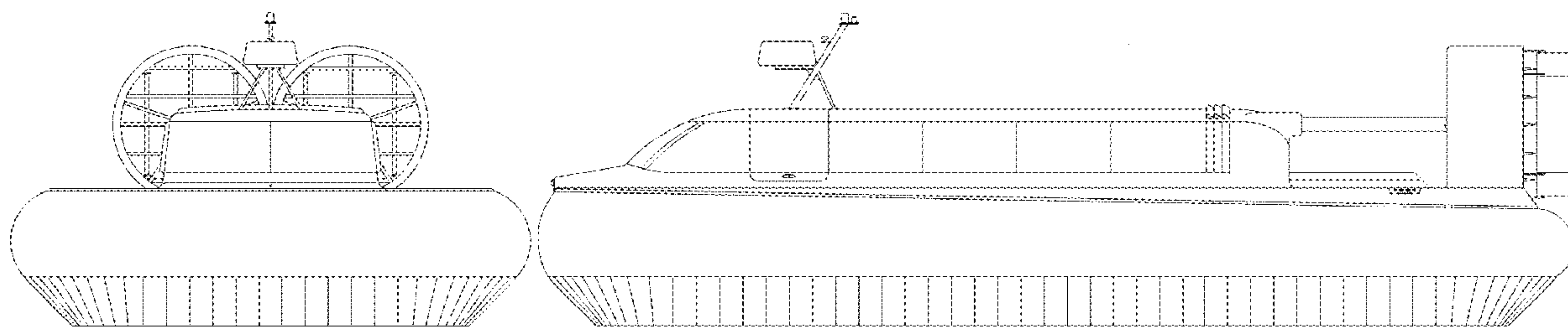
(57) **CLAIM**

The ornamental design for a hovercraft, as shown and described.

DESCRIPTION

FIG. 1 is a front view of the hovercraft;
 FIG. 2 is a left side view of the hovercraft;
 FIG. 3 is a right side view of the hovercraft;
 FIG. 4 is a rear view of the hovercraft; and,
 FIG. 5 is a top plan view of the hovercraft.
 The portions of the hovercraft shown in broken lines form no part of the claimed design.

1 Claim, 5 Drawing Sheets



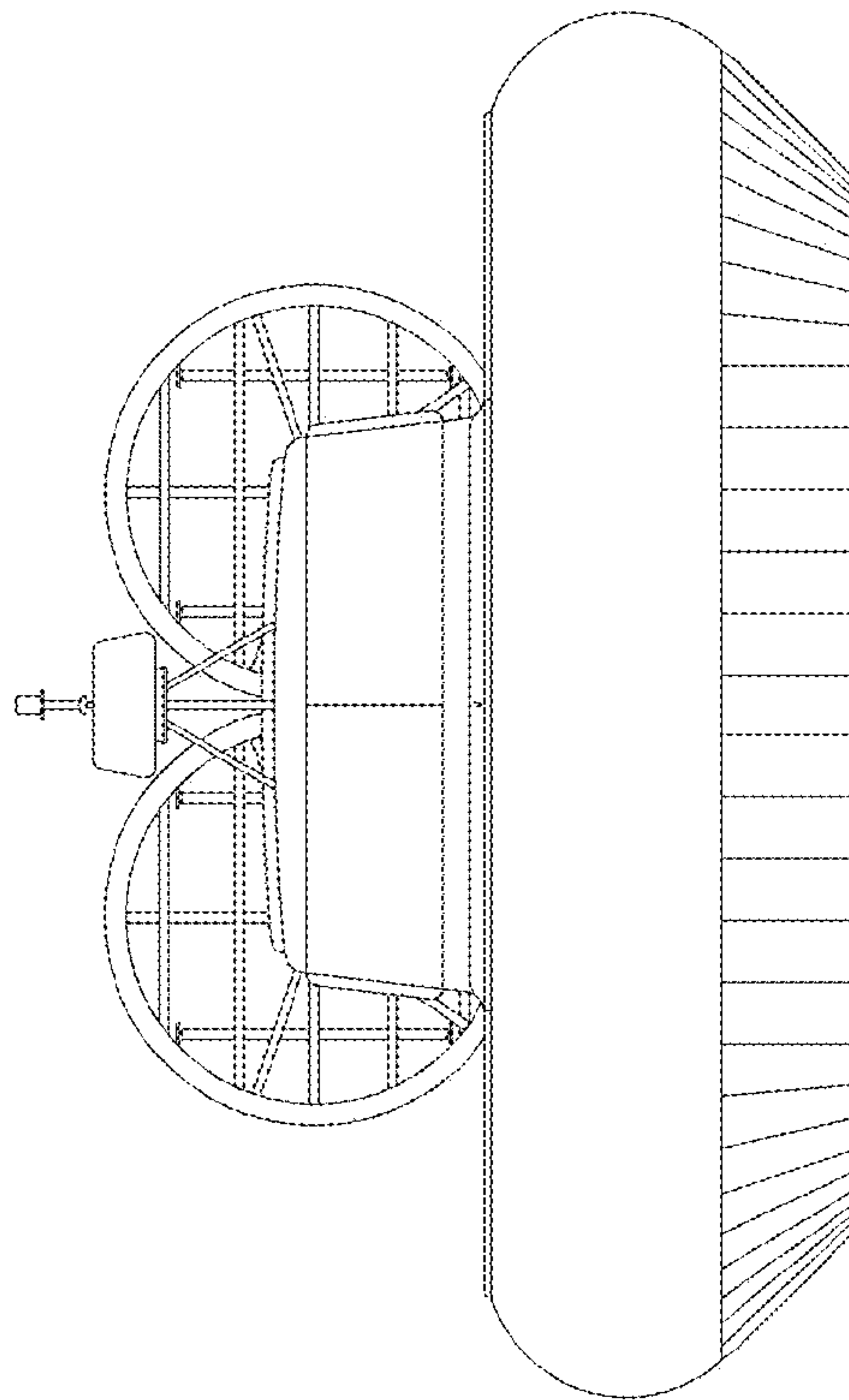


Figure 1

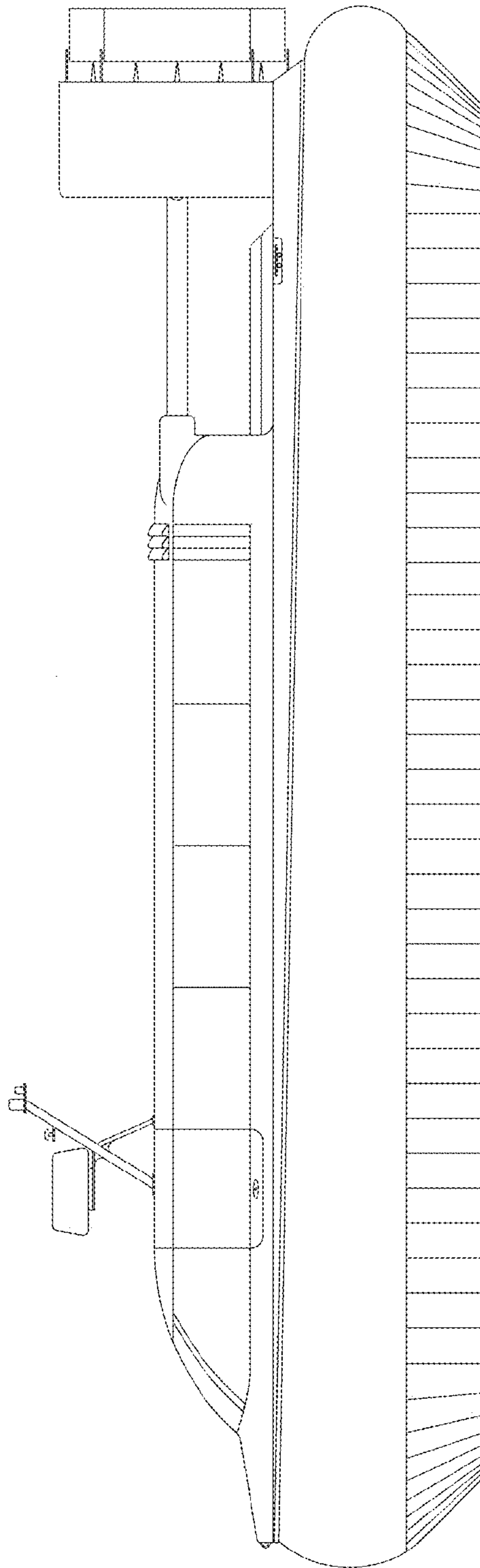


Figure 2

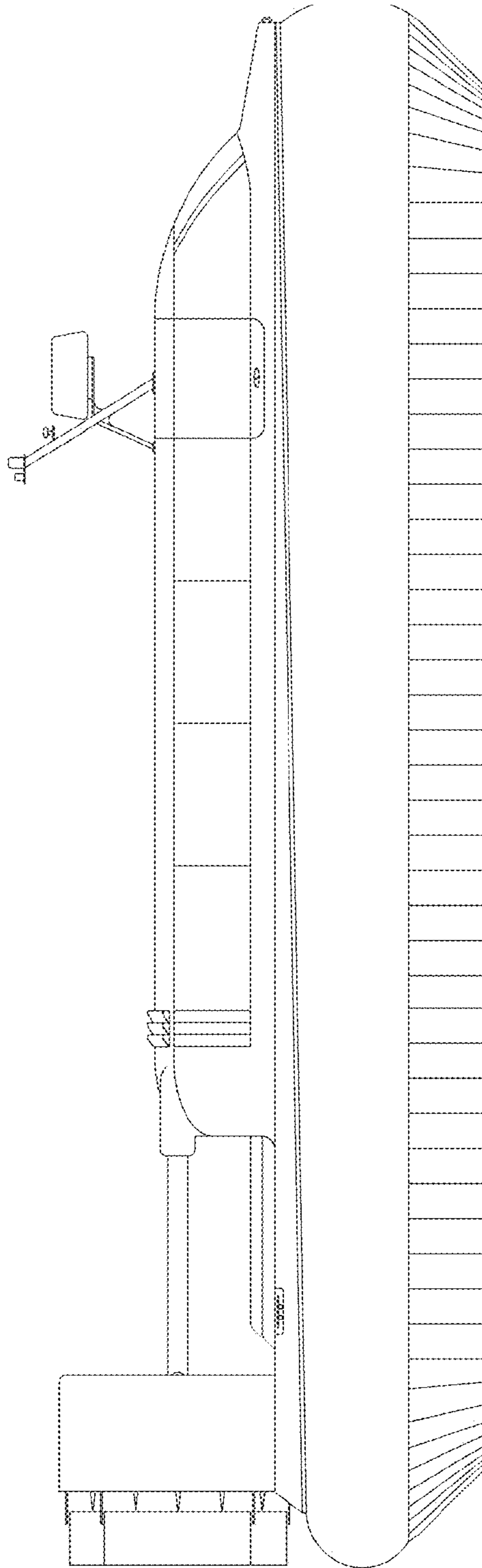


Figure 3

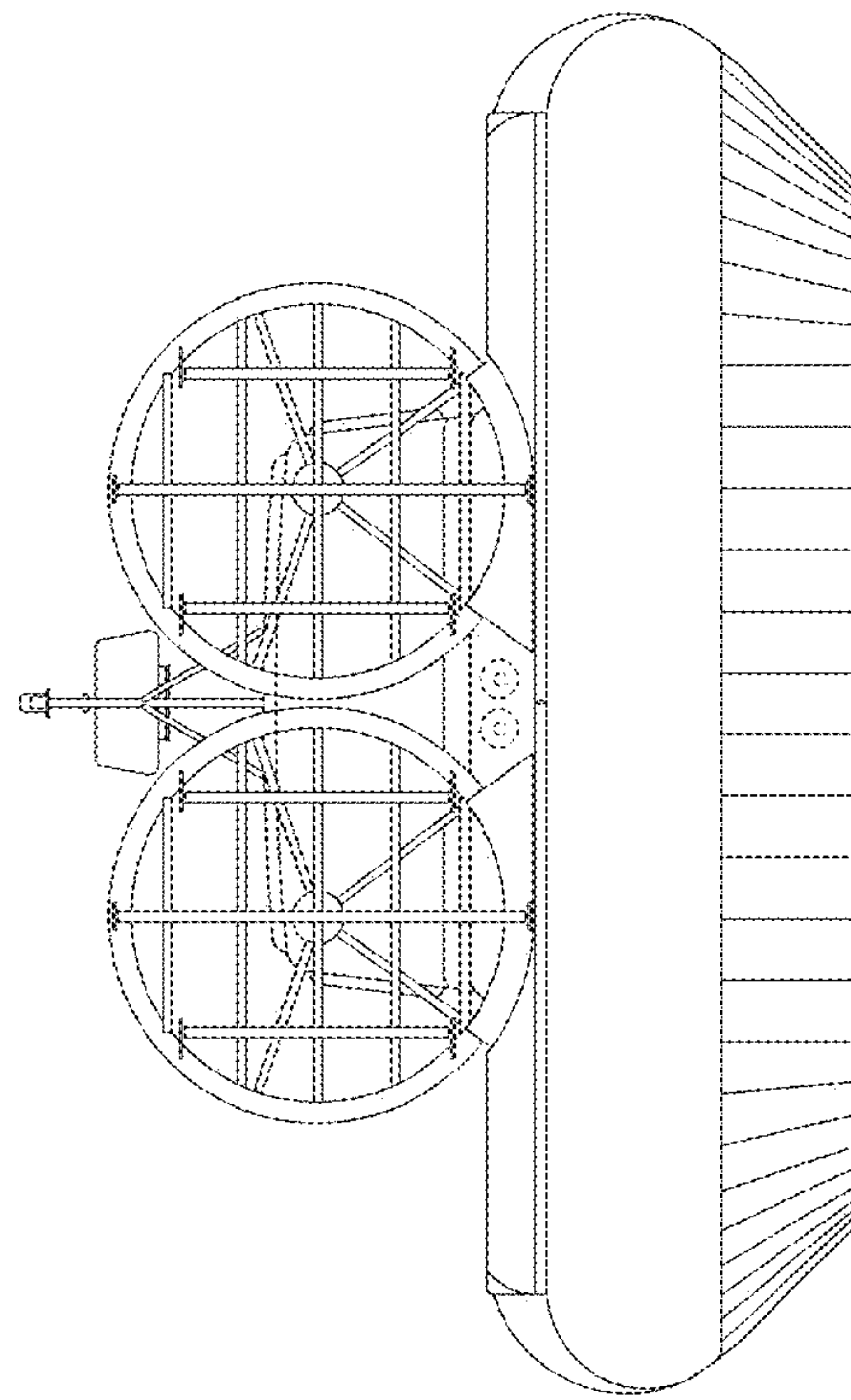


Figure 4

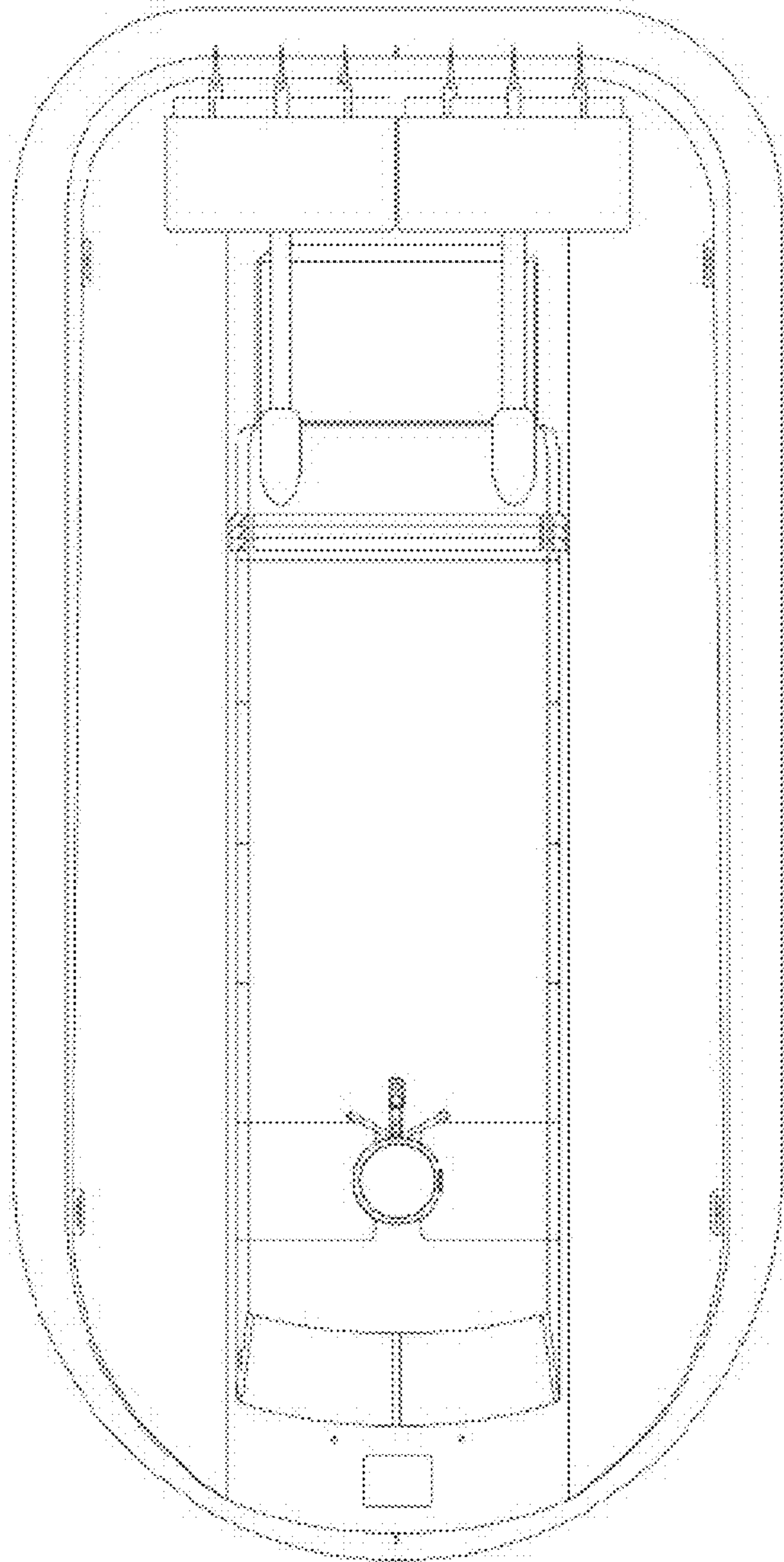


Figure 5