



US00D908531S

(12) **United States Design Patent**
Paik et al.

(10) **Patent No.:** **US D908,531 S**

(45) **Date of Patent:** **** Jan. 26, 2021**

(54) **BUCKLE MEMBER FOR BAGS**

(71) Applicant: **WOJIN PLASTIC CO., LTD.**,
Guri-si (KR)

(72) Inventors: **Jisook Paik**, Seoul (KR); **Nan Hee Paik**, Seoul (KR); **Ji Hye Paik**, Seoul (KR); **Ji Won Son**, Seoul (KR)

(73) Assignee: **WOJIN PLASTIC CO., LTD.**,
Guri-si (KR)

(**) Term: **15 Years**

(21) Appl. No.: **29/673,900**

(22) Filed: **Dec. 18, 2018**

(51) **LOC (13) Cl.** **02-07**

(52) **U.S. Cl.**
USPC **D11/216**

(58) **Field of Classification Search**
USPC D11/200, 201, 208, 212, 215, 216, 218,
D11/219, 220, 221, 86, 87, 93, 94, 231;
D8/343, 342, 499
CPC A44C 23/00; A44C 5/18; A44C 5/185;
A44C 5/2066; A44C 5/2042; A44C
5/2057; A44C 5/2071; A44D 2200/10;
A44D 2201/02; A44D 2201/10; A44D
2201/12; A44D 2201/14; A44D 2201/16;
A44D 2201/30; A44B 11/00; A44B
11/25; A44B 11/2553; A44B 11/2549;
A44B 11/04

See application file for complete search history.

(56) **References Cited**

U.S. PATENT DOCUMENTS

D364,125 S * 11/1995 Anscher D11/216
D381,936 S * 8/1997 Anscher D11/216
D405,723 S * 2/1999 Anscher D11/216
D425,443 S * 5/2000 Anscher D11/216

D471,130 S * 3/2003 Lai D11/216
D536,279 S * 2/2007 Grimm D11/216
D560,551 S * 1/2008 Uehara D11/216
D701,792 S * 4/2014 Kelleghan D11/216
D749,012 S * 2/2016 Paik D11/216

OTHER PUBLICATIONS

Amazon, Nexus Coyote Tan Side Release Buckle, posted Aug. 15, 2018, [online], [visited May 1, 2020]. Internet, <URL: https://www.amazon.co.uk/Coyote-Release-Webbing-Military-Tactical/dp/B00T0ADIGE/ref> (Year: 2018).*

(Continued)

Primary Examiner — Sheryl Lane

Assistant Examiner — Samantha N Wood

(74) *Attorney, Agent, or Firm* — Novick, Kim & Lee, PLLC; Jae Youn Kim; Hyun Woo Shin

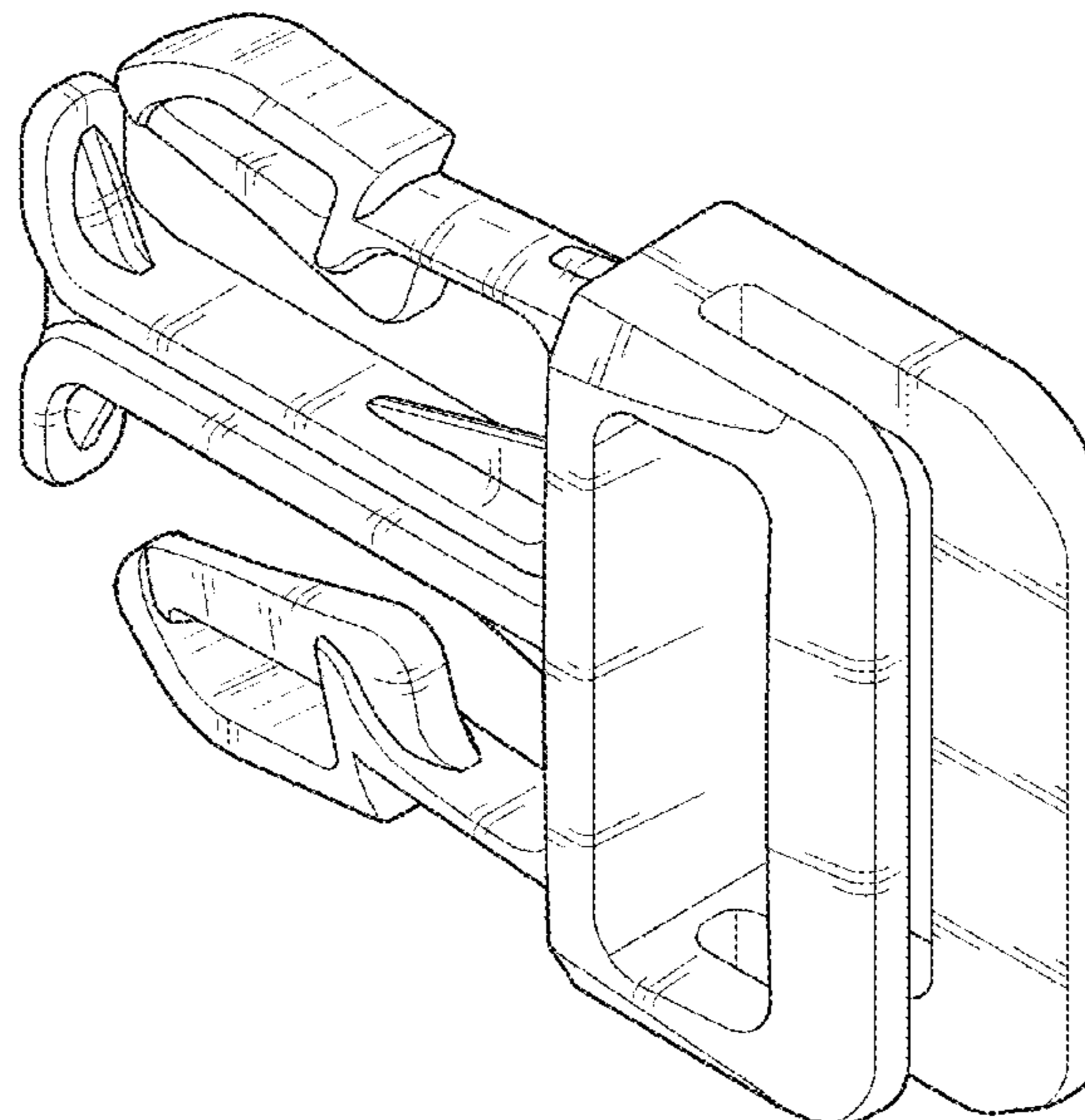
(57) **CLAIM**

The ornamental design for a buckle member for bags, as shown and described.

DESCRIPTION

FIG. 1 is a perspective view of a buckle member for bags, showing our new design;
FIG. 2 is a front view thereof;
FIG. 3 is a rear view thereof;
FIG. 4 is a left-side view thereof;
FIG. 5 is a right-side view thereof;
FIG. 6 is a top view thereof;
FIG. 7 is a bottom view thereof;
FIG. 8 is a cross-sectional view taken along line 8-8 in FIG. 2; and,
FIG. 9 is a perspective view of the buckle member for bags shown in an exemplary embodiment.
The broken lines in the drawings are directed to environmental matter and form no part of the claimed design.

1 Claim, 9 Drawing Sheets



(56)

References Cited

OTHER PUBLICATIONS

Amazon, 25mm Side Release Buckle, posted Oct. 2, 2013, [online], [visited May 1, 2020]. Internet, <URL: <https://www.amazon.co.uk/25mm-Side-Release-Buckle-black/dp/B00FKU35KW/ref=>> (Year: 2013).*

Amazon, Sourcingmap Plastic strap buckle, posted Jun. 16, 2017, [online], [visited May 1, 2020]. Internet, <URL: <https://www.amazon.co.uk/Sourcingmap-Plastic-Strap-Release-Buckle/dp/B00NPZ65OW/ref=>> (Year: 2017).*

* cited by examiner

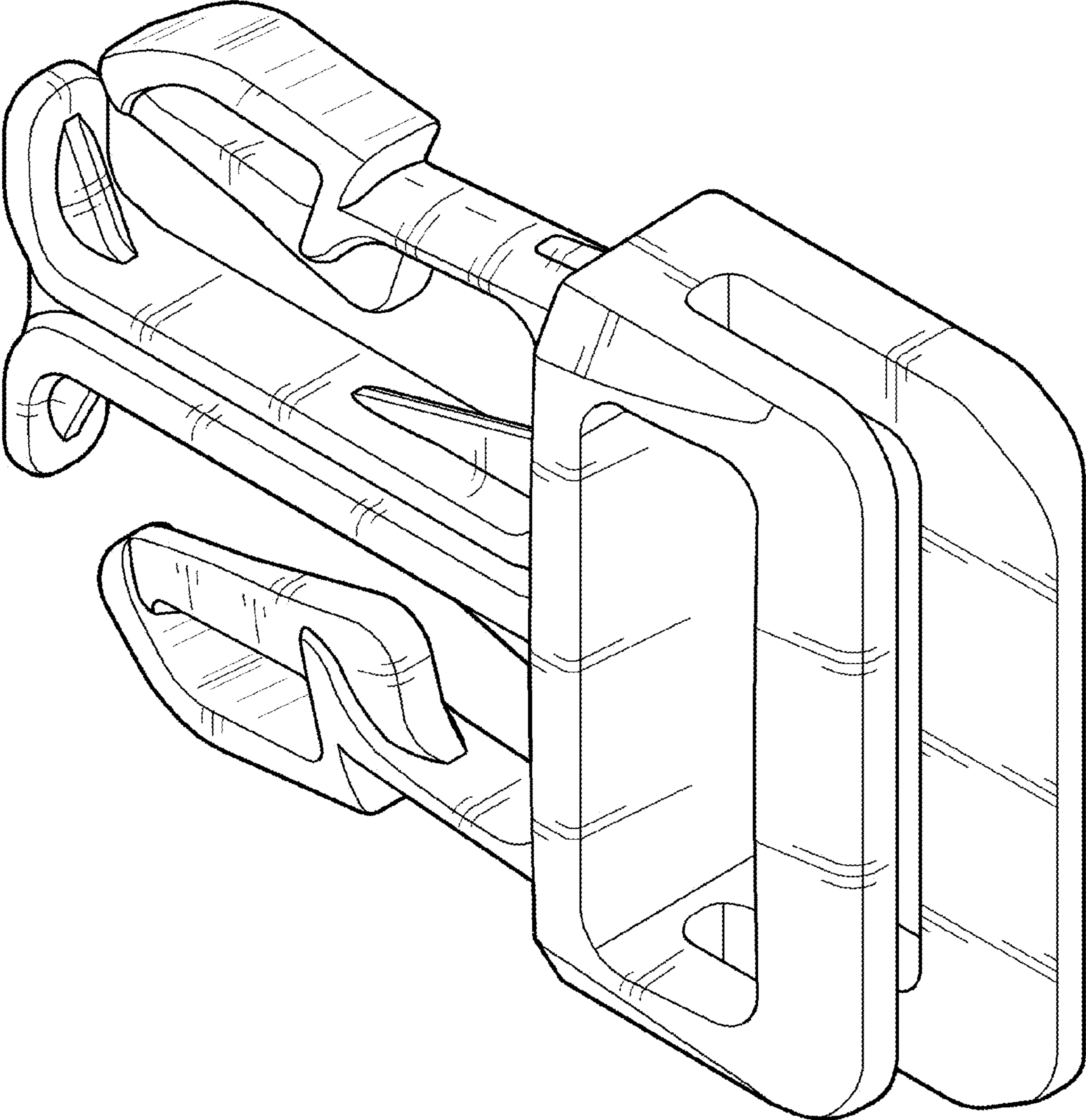


FIG. 1

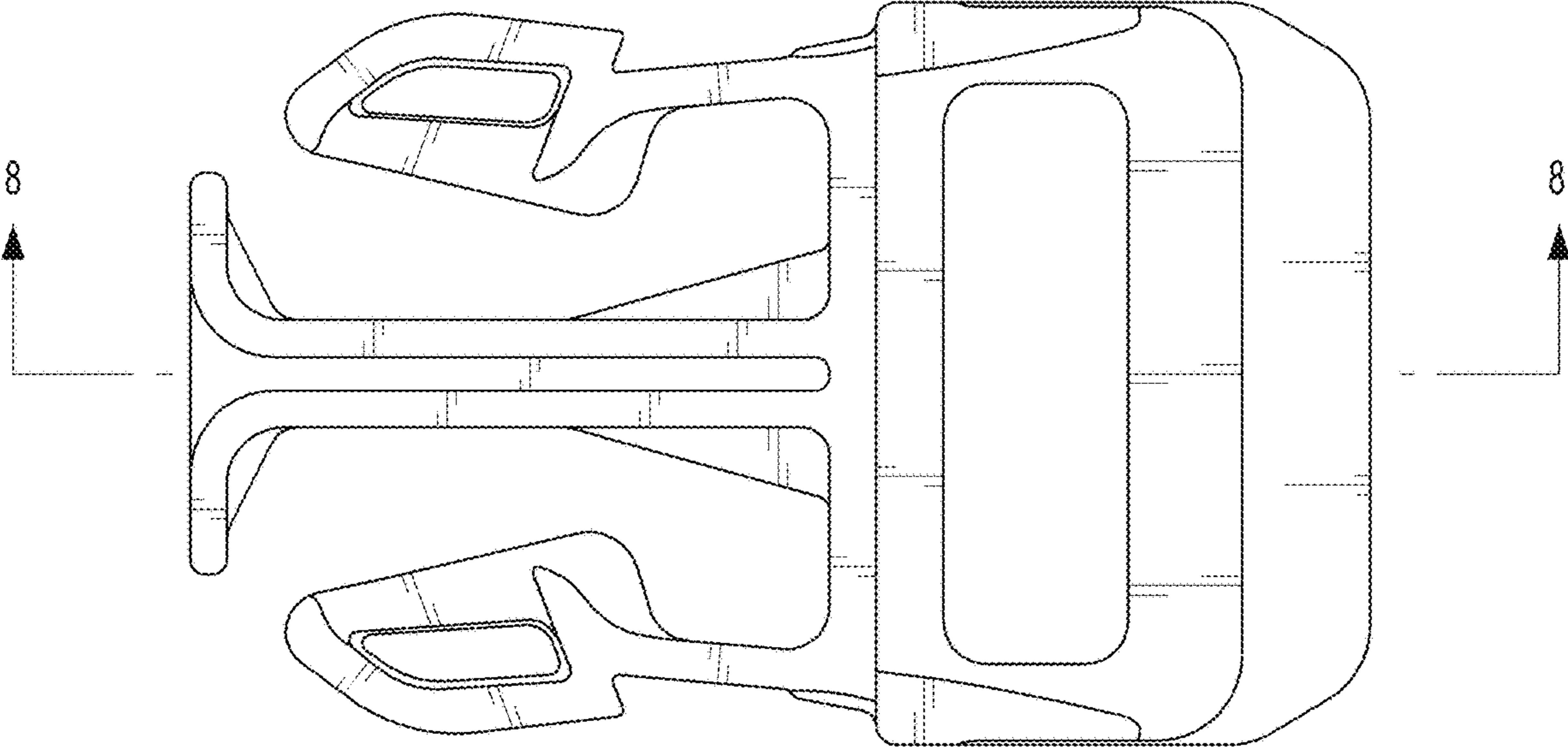


FIG. 2

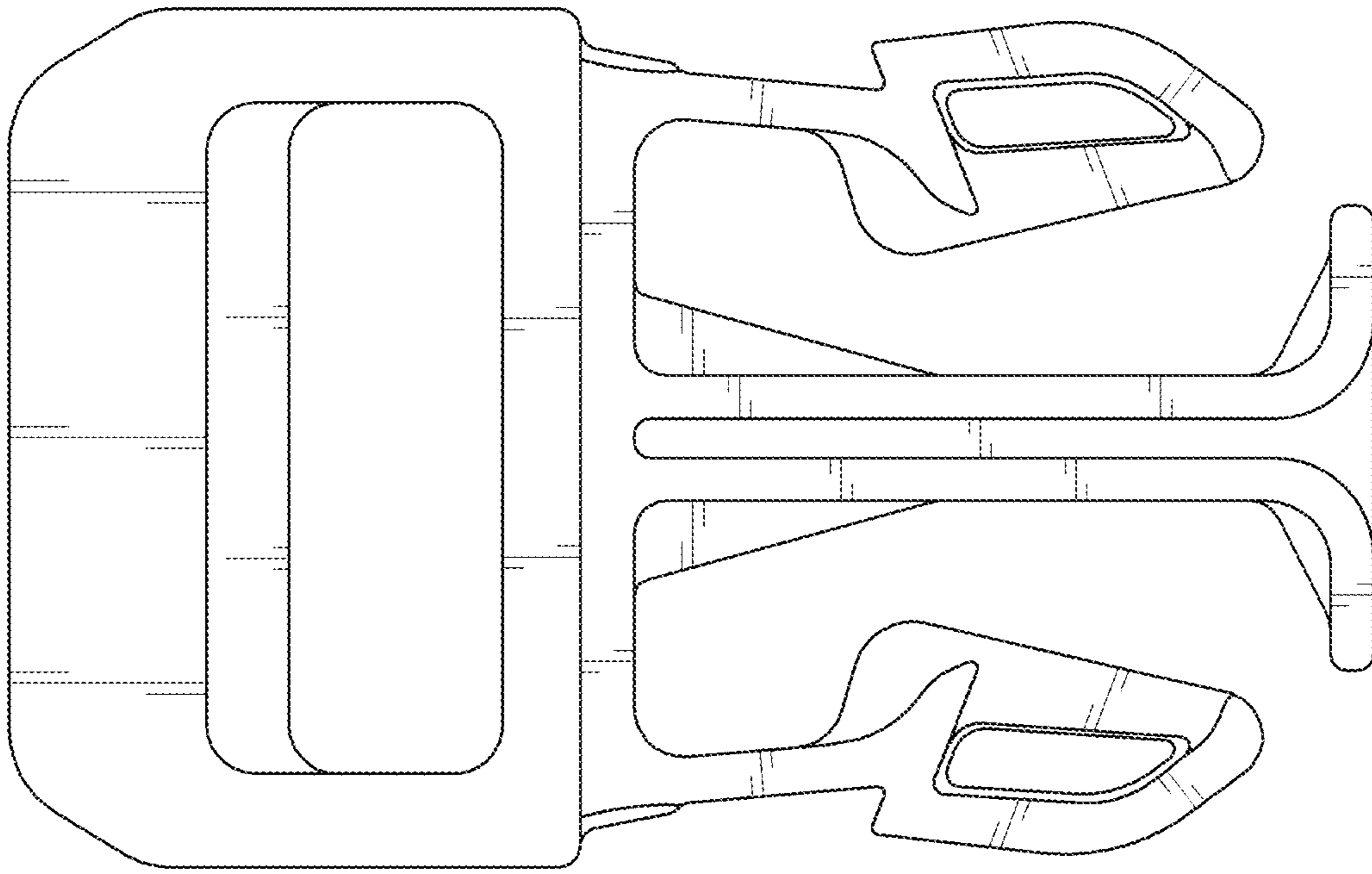


FIG. 3

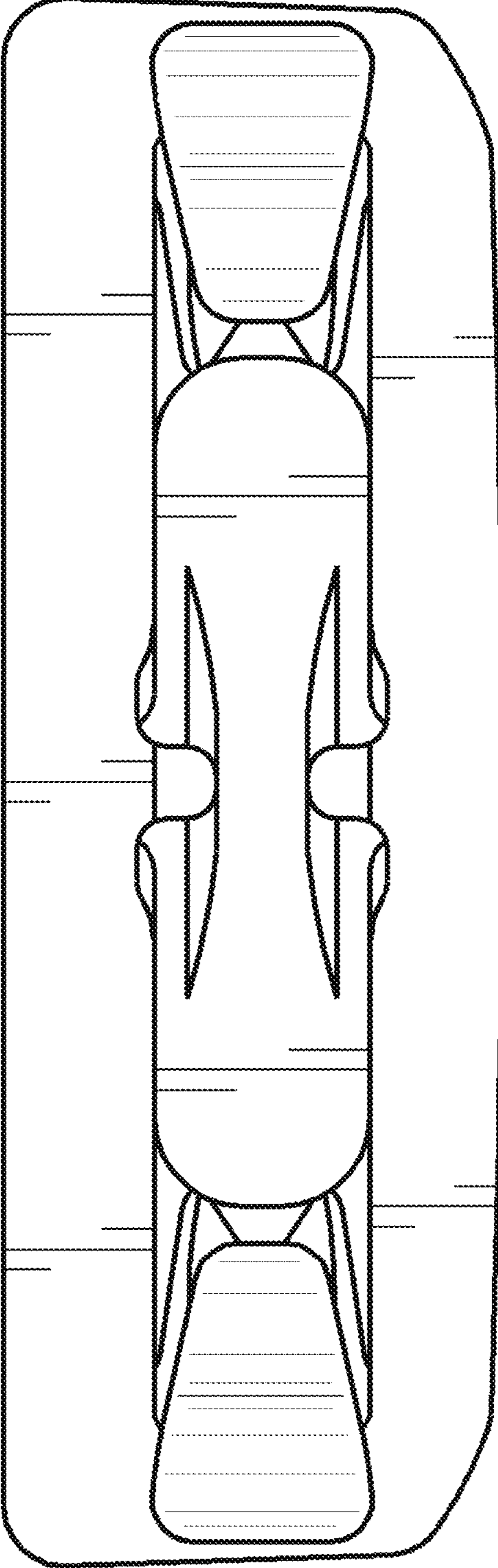


FIG. 4

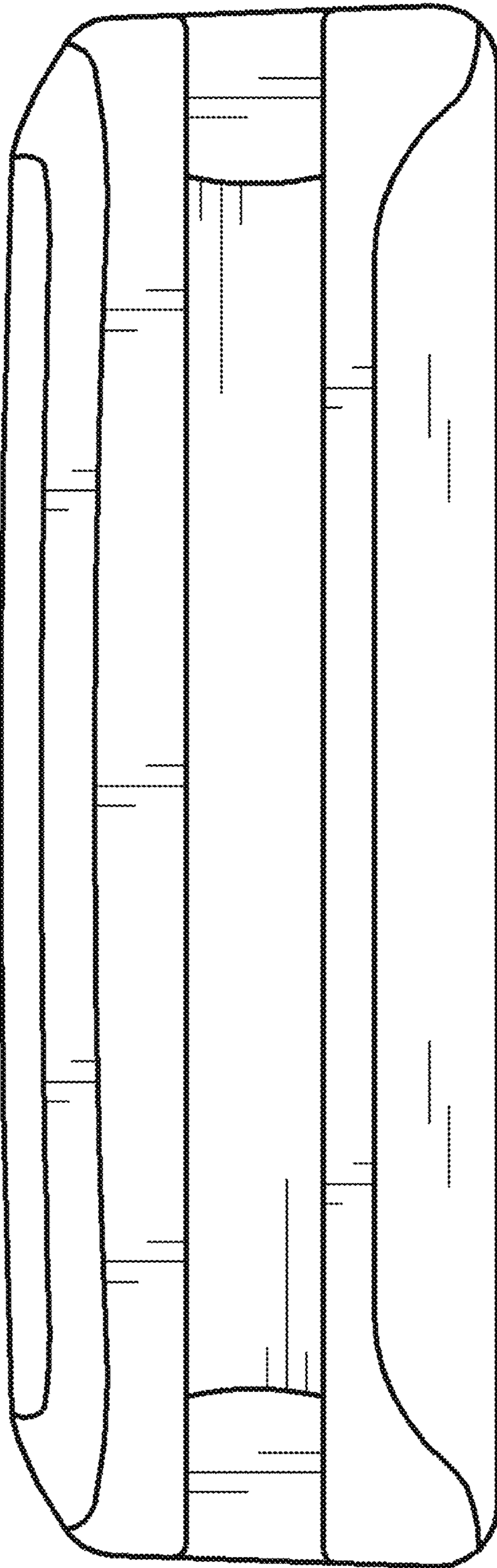


FIG. 5

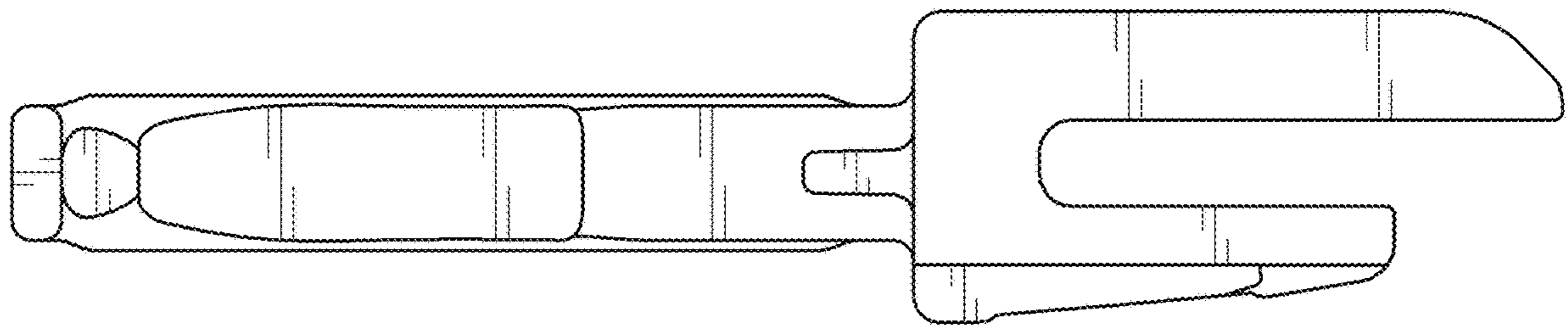


FIG. 6

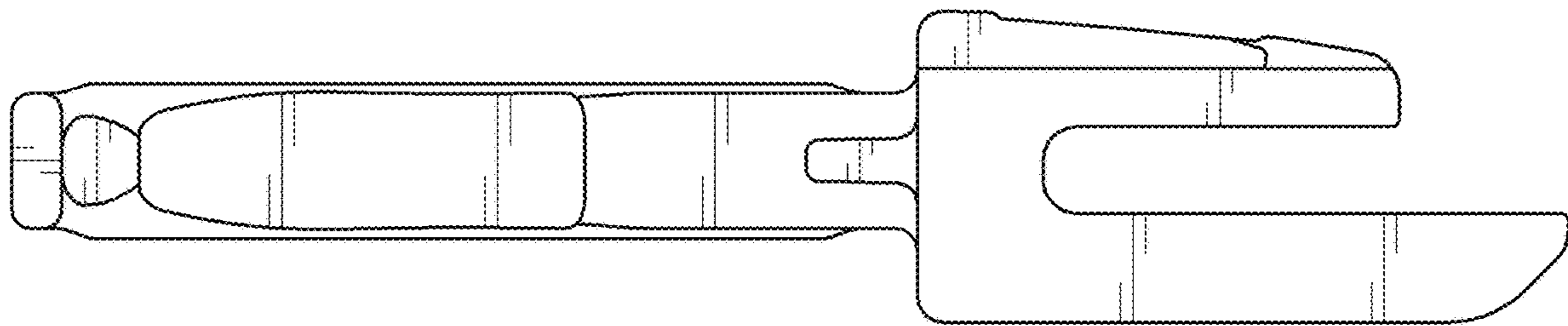


FIG. 7

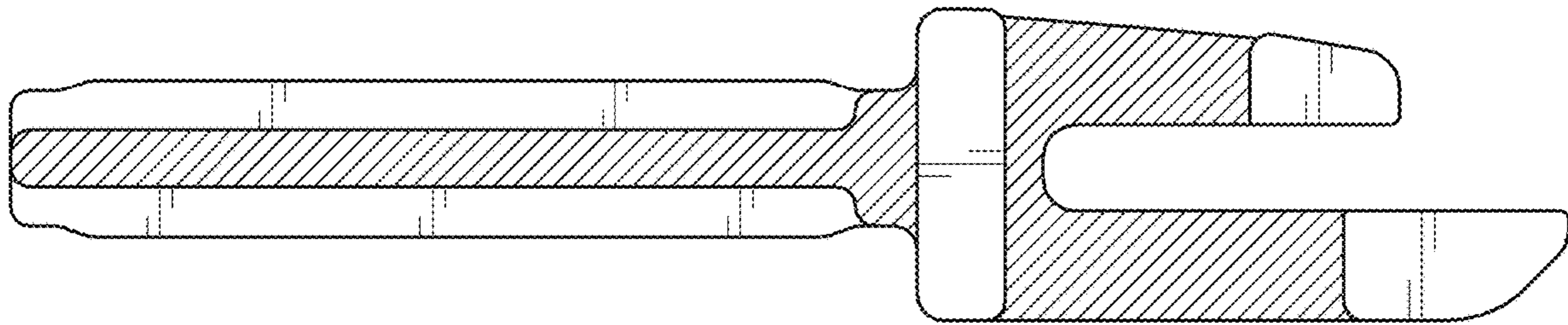


FIG. 8

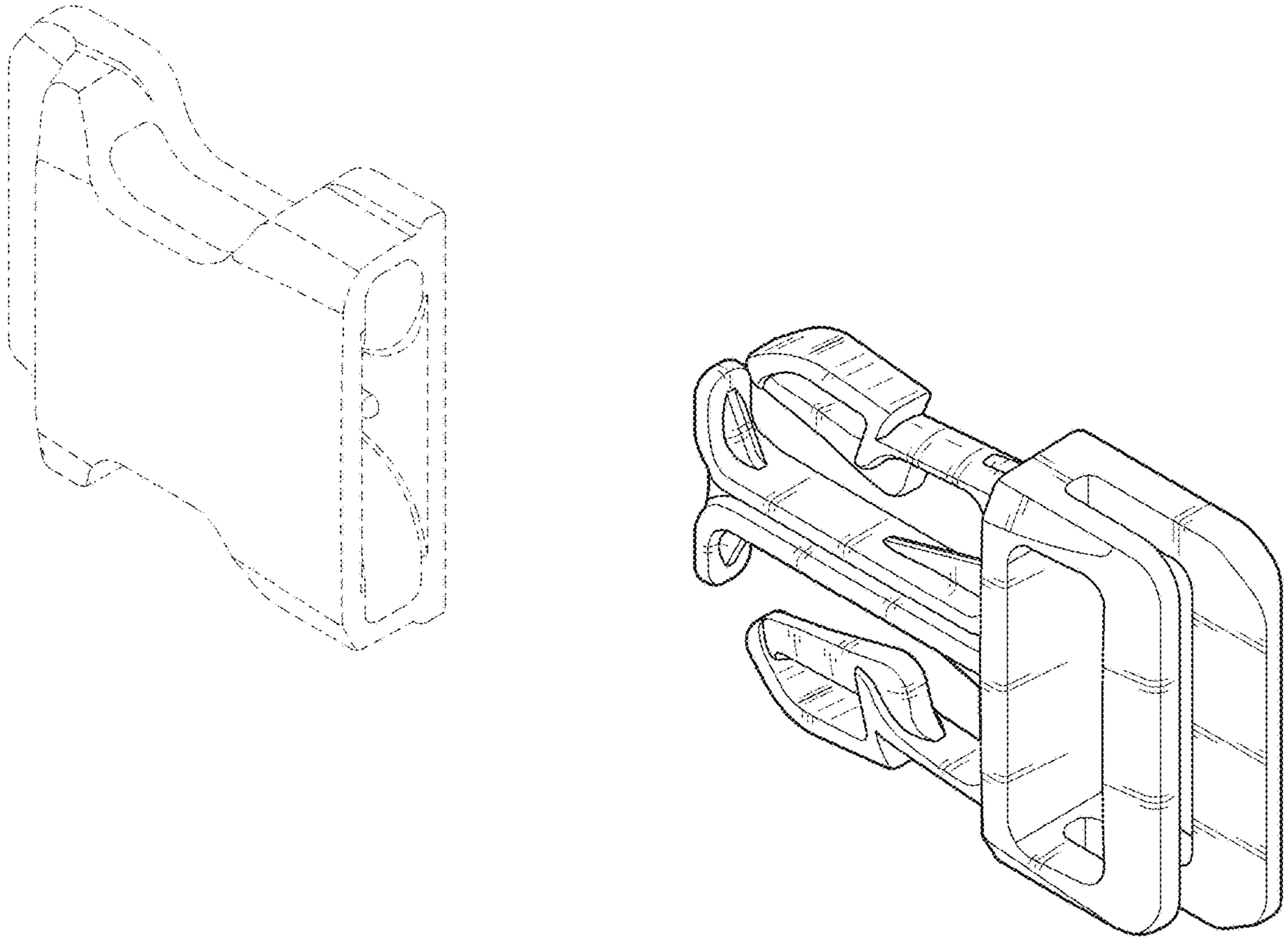


FIG. 9