



US00D908530S

(12) **United States Design Patent** (10) **Patent No.:** **US D908,530 S**
Negaty et al. (45) **Date of Patent:** **** Jan. 26, 2021**

(54) **CLASP FOR WATCH BRACELETS**

(56) **References Cited**

(71) Applicant: **PATEK PHILIPPE SA GENEVE**,
Geneva (CH)

U.S. PATENT DOCUMENTS

(72) Inventors: **Alexandre Negaty**, Bernex (CH);
Xavier Magaldi, Satigny (CH)

D19,359 S *	10/1889	Sanders	D11/108
D41,412 S *	5/1911	Baden-Powell	D11/212
D94,197 S *	1/1935	Freysinger	D11/12
D557,631 S	12/2007	Alfone	
D568,177 S	5/2008	Lassigne	
D628,111 S	11/2010	Cerrato	
D729,105 S *	5/2015	Stegmann	D2/631
9,173,460 B2	11/2015	Kaltenrieder	
D793,277 S	8/2017	Dennis	
9,993,051 B2	6/2018	Kaltenrieder	
10,149,505 B2	12/2018	Pandolfino	
D860,044 S *	9/2019	Negaty et al.	D11/217

(73) Assignee: **PATEK PHILIPPE SA GENEVE**,
Geneva (CH)

(**) Term: **15 Years**

(21) Appl. No.: **29/684,565**

* cited by examiner

(22) Filed: **Mar. 22, 2019**

Primary Examiner — George D. Kirschbaum
(74) *Attorney, Agent, or Firm* — Nixon & Vanderhye

Related U.S. Application Data

(62) Division of application No. 35/504,707, filed on Oct. 3, 2017 (U.S. filing date under 35 U.S.C. 384), and having an international filing date of Oct. 3, 2017, now Pat. No. Des. 860,044.

(57) **CLAIM**

The ornamental design for a clasp for watch bracelets, as shown and described.

DESCRIPTION

(30) **Foreign Application Priority Data**

May 2, 2017 (CH) 143214

(51) **LOC (13) Cl.** **02-07**

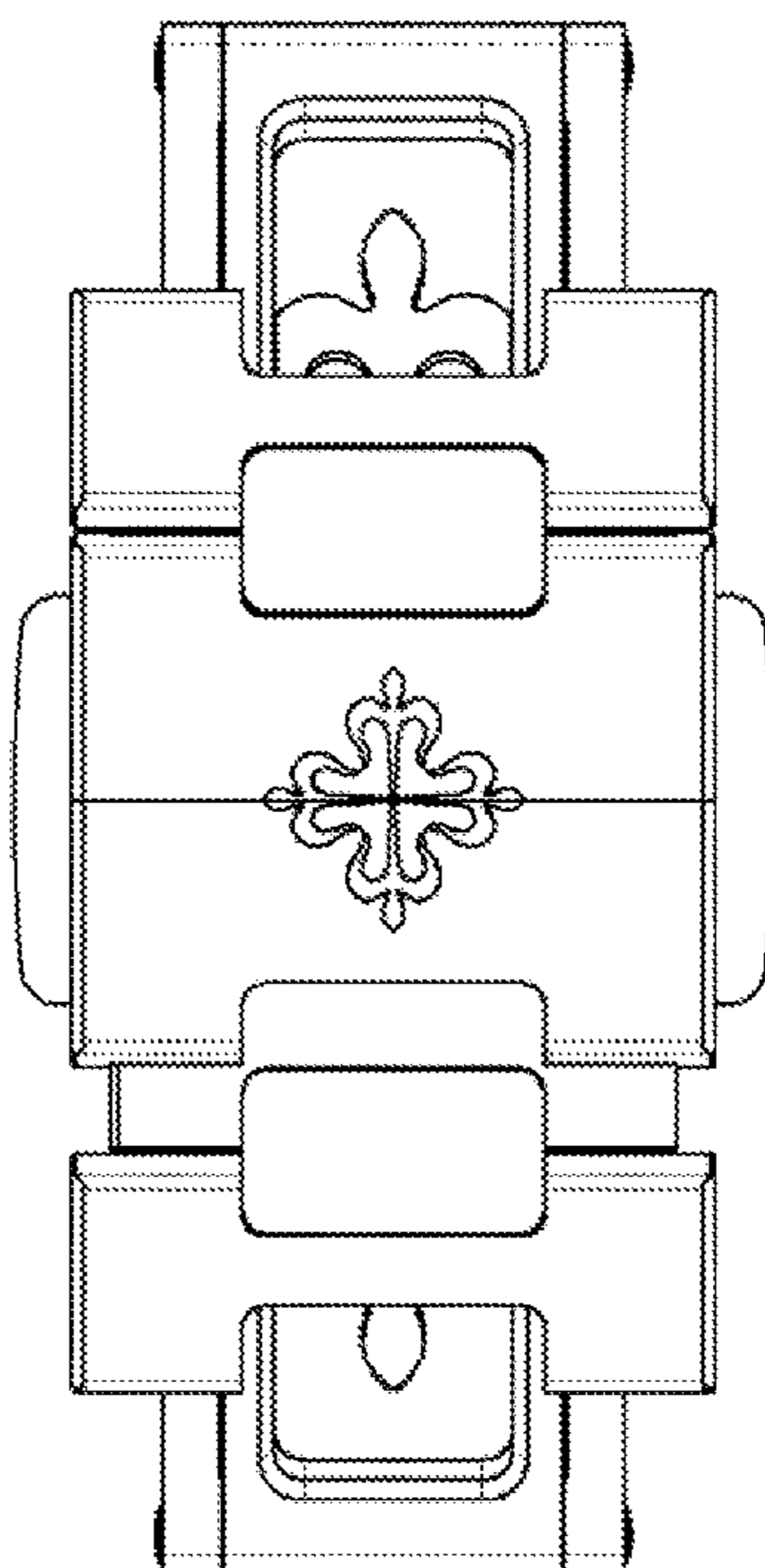
(52) **U.S. Cl.**
USPC **D11/200**

(58) **Field of Classification Search**
USPC D10/32; D11/217, 216, 220, 238, 95, 98,
D11/12, 212, 108, 200; D2/631

FIG. 1 is a front elevation view of a clasp for watch bracelets showing the new design;
FIG. 2 is a rear elevation view thereof;
FIG. 3 is a left side elevation view thereof;
FIG. 4 is a right side elevation view thereof;
FIG. 5 is a top plan view thereof;
FIG. 6 is a bottom plan view thereof; and
FIG. 7 is a front, left side perspective view thereof;
FIG. 8 is a front elevation view thereof in an alternate configuration, wherein the clasp is opened;
FIG. 9 is a rear elevation view thereof; and,
FIG. 10 is a right side elevation view thereof.

See application file for complete search history.

1 Claim, 10 Drawing Sheets



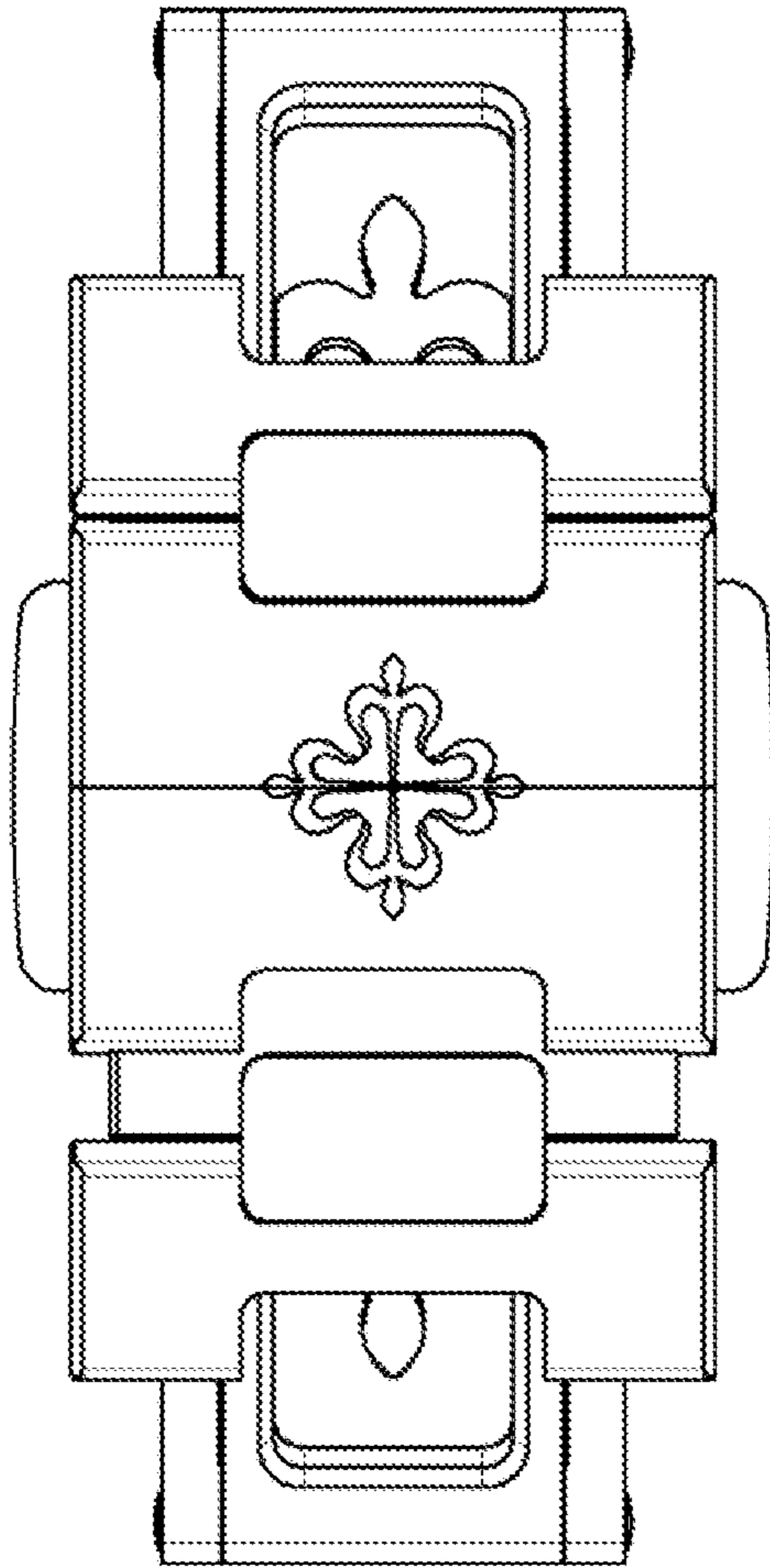


FIG. 1

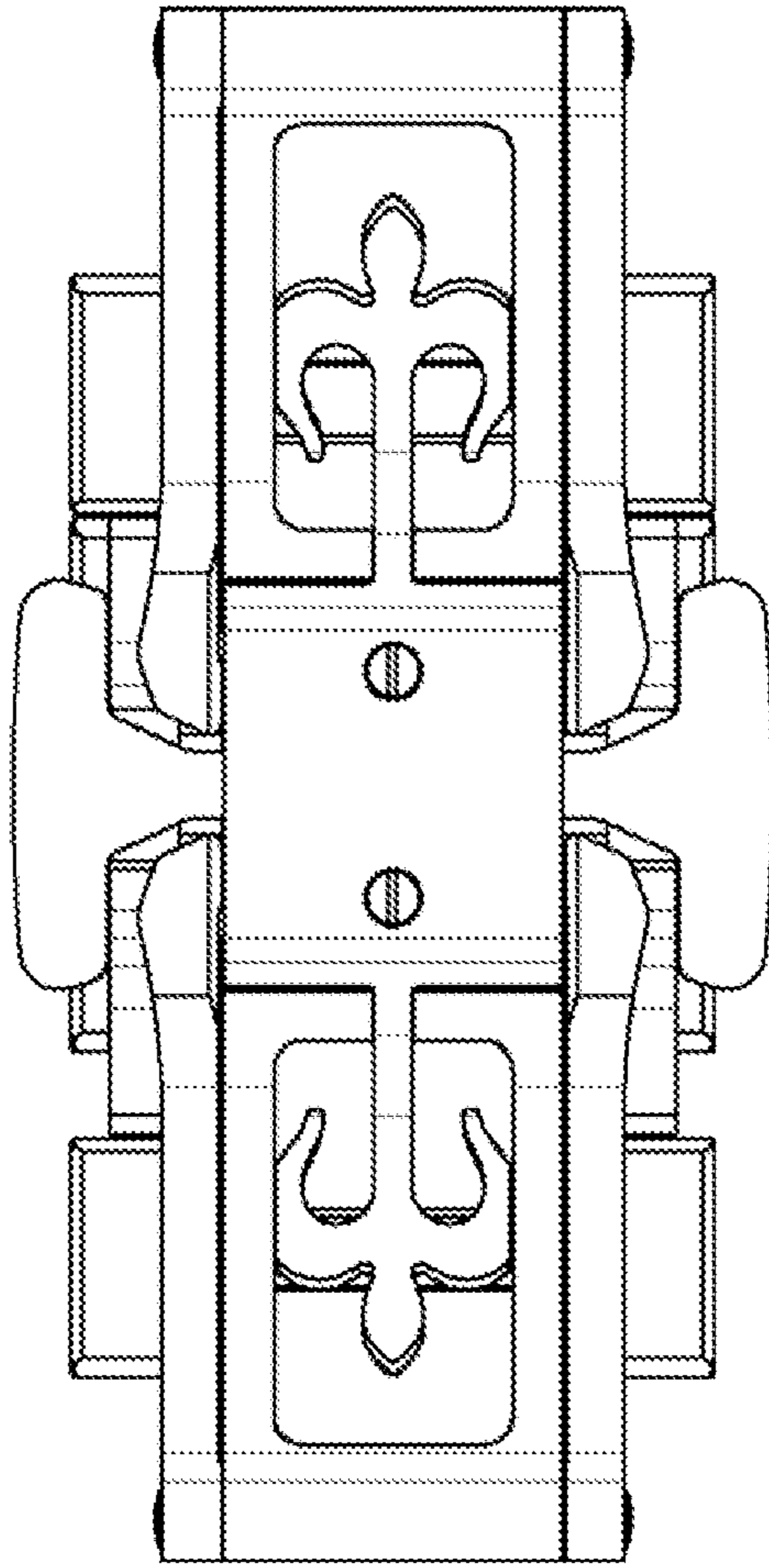


FIG. 2

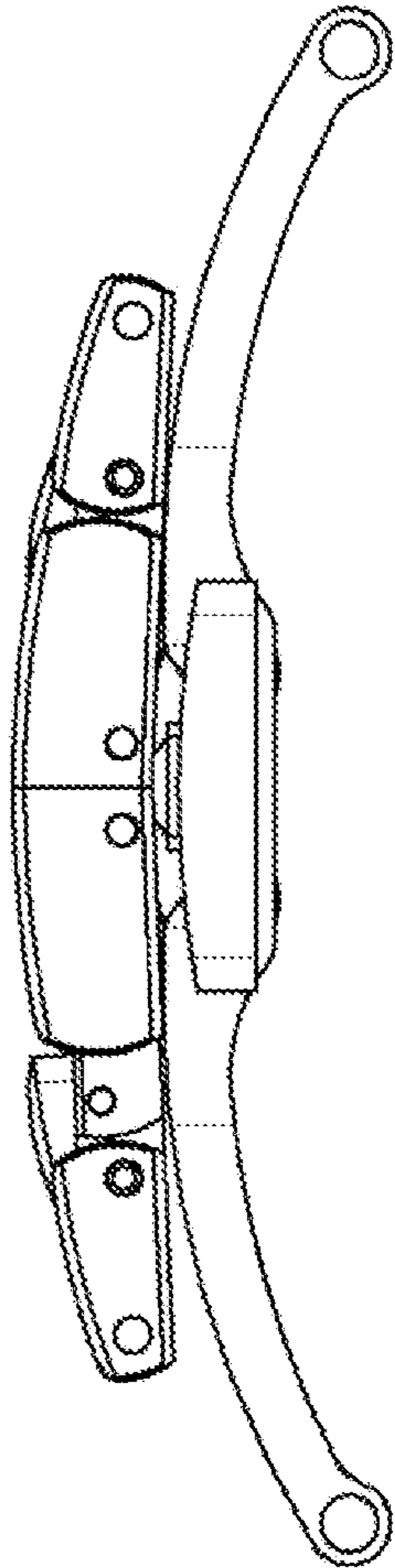


FIG. 3

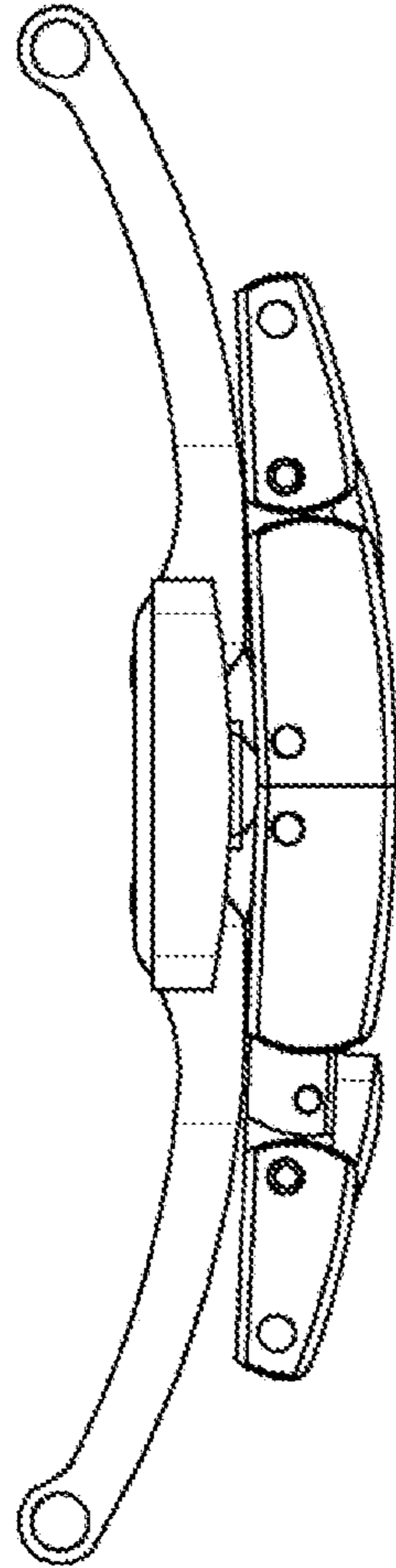


FIG. 4

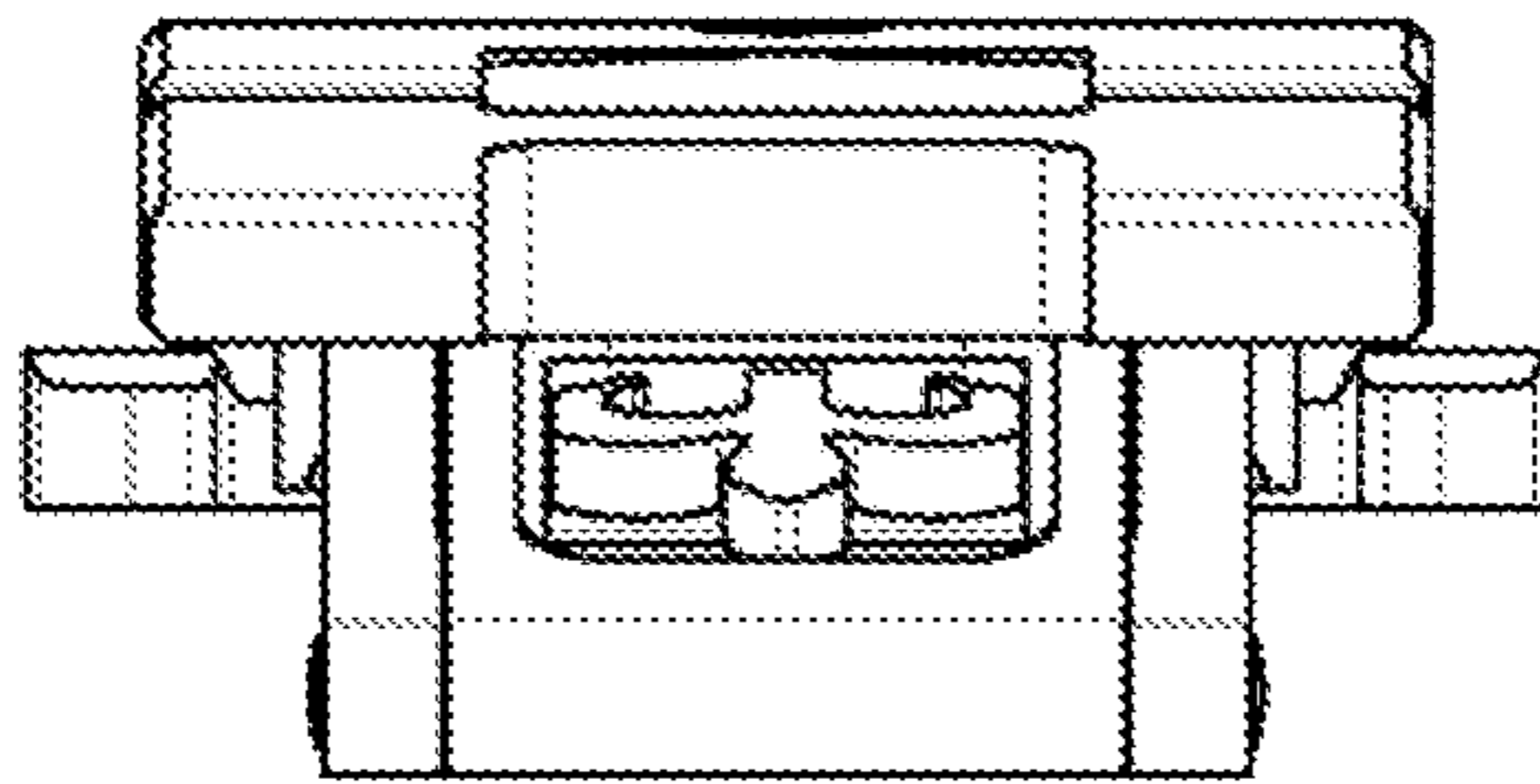


FIG. 5

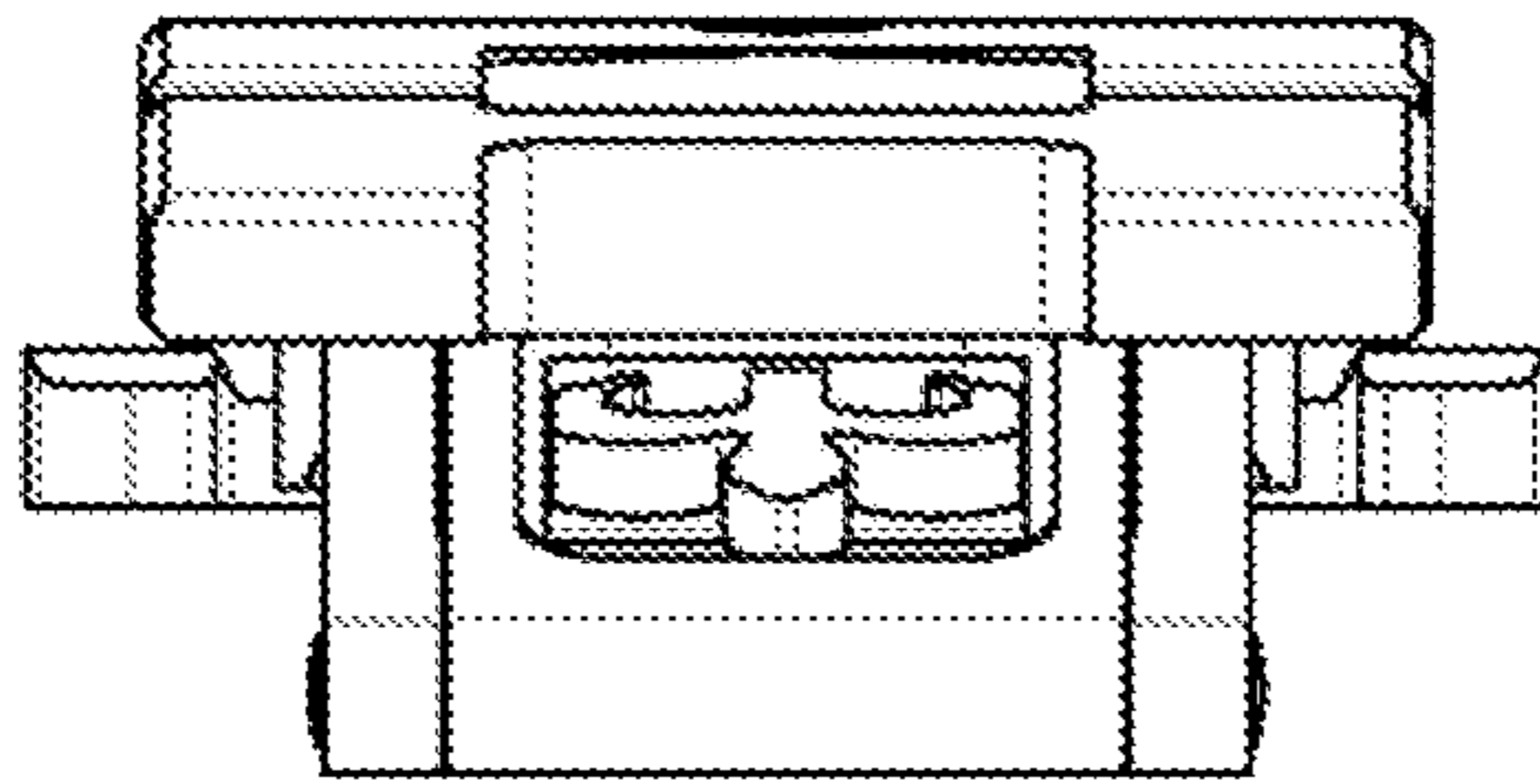


FIG. 6

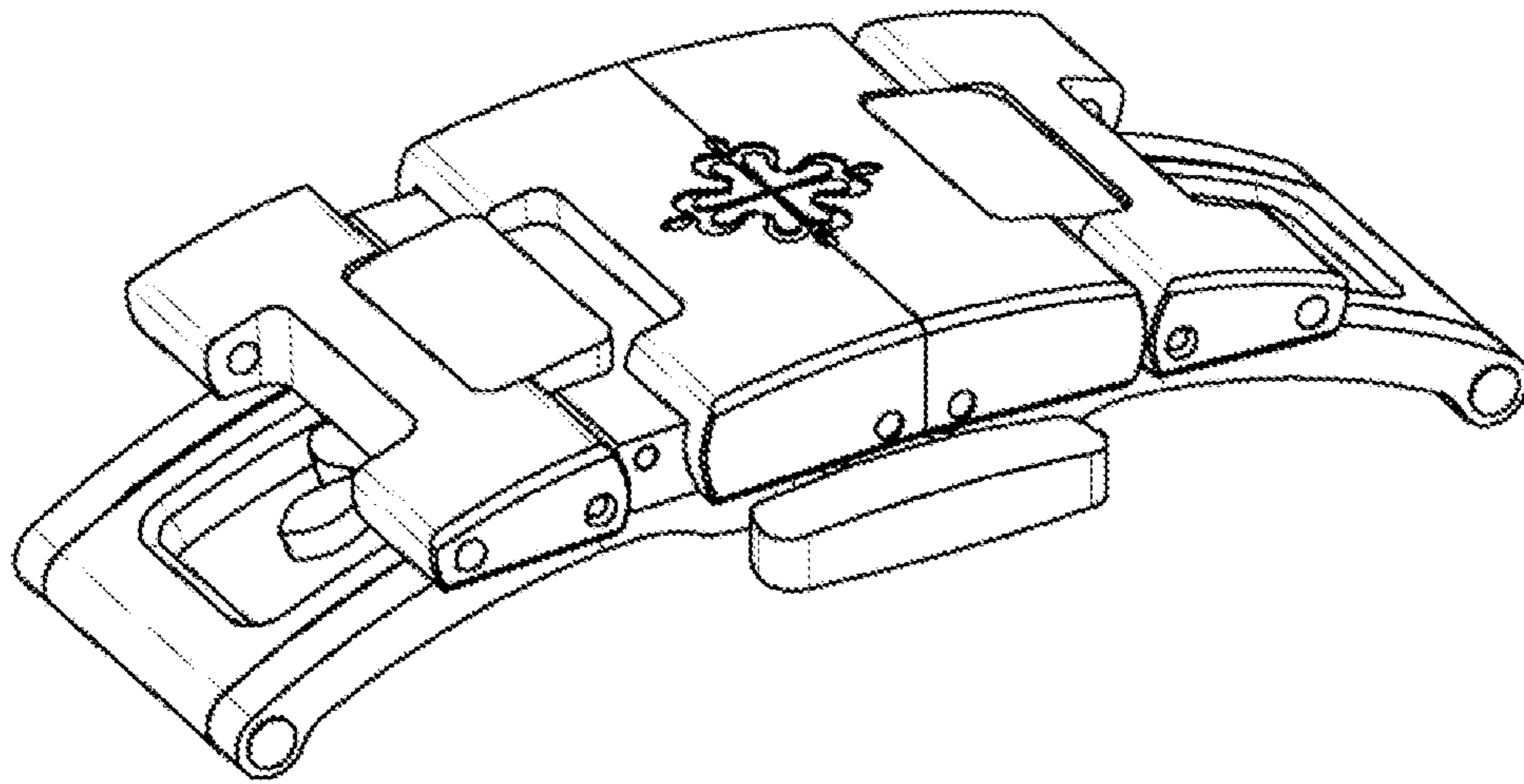


FIG. 7

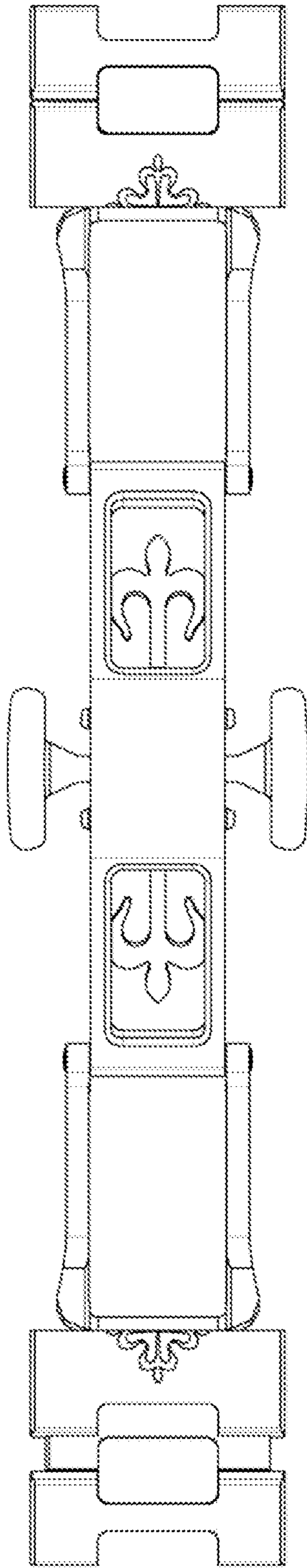


FIG. 8

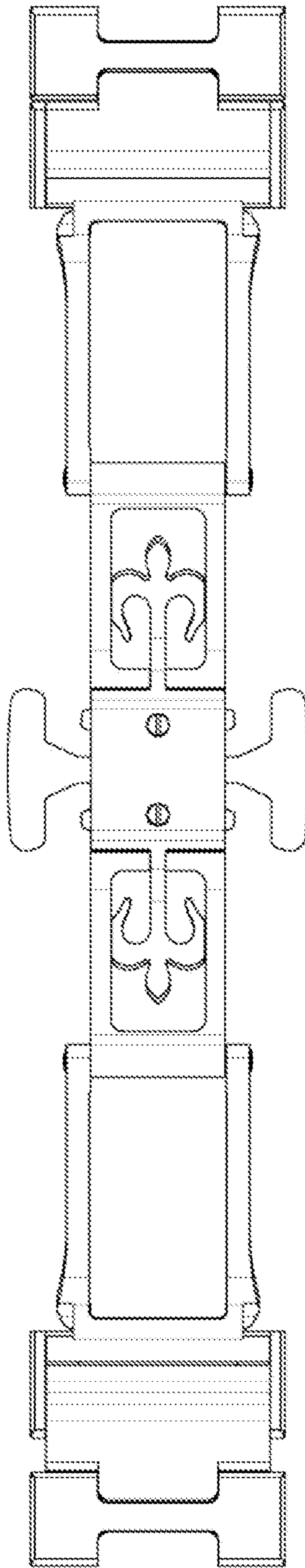


FIG. 9

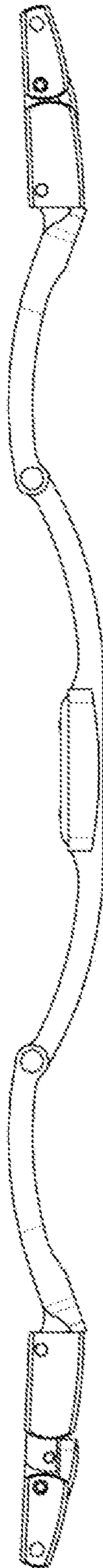


FIG. 10