



US00D908528S

(12) **United States Design Patent** (10) **Patent No.:** **US D908,528 S**  
**Shah et al.** (45) **Date of Patent:** **\*\* \*Jan. 26, 2021**

(54) **ARTICLE OF JEWELRY**  
(71) Applicants: **Kuldip Shah**, Manalapan, NJ (US);  
**Simran Shah**, Manalapan, NJ (US)  
(72) Inventors: **Kuldip Shah**, Manalapan, NJ (US);  
**Simran Shah**, Manalapan, NJ (US)  
(73) Assignee: **Kool Concepts**, Manalapan, NJ (US)

D415,446 S \* 10/1999 Kattan ..... D11/79  
D459,679 S \* 7/2002 Patumraj ..... D11/91  
D473,817 S \* 4/2003 Itzkowitz ..... D11/91  
D558,083 S \* 12/2007 Kothari ..... D11/91  
D644,141 S \* 8/2011 George ..... D11/1  
D648,651 S \* 11/2011 Sin ..... D11/91  
D654,394 S \* 2/2012 Kothari ..... D11/91  
D655,219 S \* 3/2012 Kothari ..... D11/91  
D680,898 S \* 4/2013 Dholakiya ..... D11/91  
D726,577 S \* 4/2015 Weems ..... D11/86

(Continued)

(\*) Notice: This patent is subject to a terminal disclaimer.

(\*\*) Term: **15 Years**

(21) Appl. No.: **29/620,680**

(22) Filed: **Apr. 21, 2017**

(51) **LOC (13) Cl.** ..... **11-01**

(52) **U.S. Cl.**

USPC ..... **D11/91**

(58) **Field of Classification Search**

USPC ..... D11/1-43, 47, 77-80, 85, 86, 89-92  
CPC ..... A44C 1/00; A44C 5/00; A44C 5/0007;  
A44C 5/0015; A44C 5/0023; A44C  
5/003; A44C 5/0084; A44C 5/0092; A44C  
7/00; A44C 7/001; A44C 7/002; A44C  
7/003; A44C 7/004; A44C 7/005; A44C  
17/02; A44C 17/0208; A44C 17/0216;  
A44C 17/0225; A44C 17/0233; A44C  
17/0241; A44C 17/025; A44C 17/04;  
A44C 17/046; A44C 9/00; A44C 9/0038;  
A44C 9/0046; A44C 9/0053; A44C  
9/0061; A44C 9/0069; A44C 9/0084;  
A44C 9/02; A44C 13/00

See application file for complete search history.

(56) **References Cited**

U.S. PATENT DOCUMENTS

D308,651 S \* 6/1990 Bulgari ..... D11/42  
D311,356 S \* 10/1990 De Frahan ..... D11/79  
D388,016 S \* 12/1997 Kejejian ..... D11/91  
D410,407 S \* 6/1999 Tirakian ..... D11/92

OTHER PUBLICATIONS

Diamond Earrings (antique), www.Christies.com, c. 1950s, site visited on Dec. 30, 2019, site URL: <"https://onlineonly.christies.com/s/christies-jewels-online/diamond-earrings-219/51291"> (Year: 2019).\*

Primary Examiner — Llorellys Martinez

(74) Attorney, Agent, or Firm — Leason Ellis LLP

(57) **CLAIM**

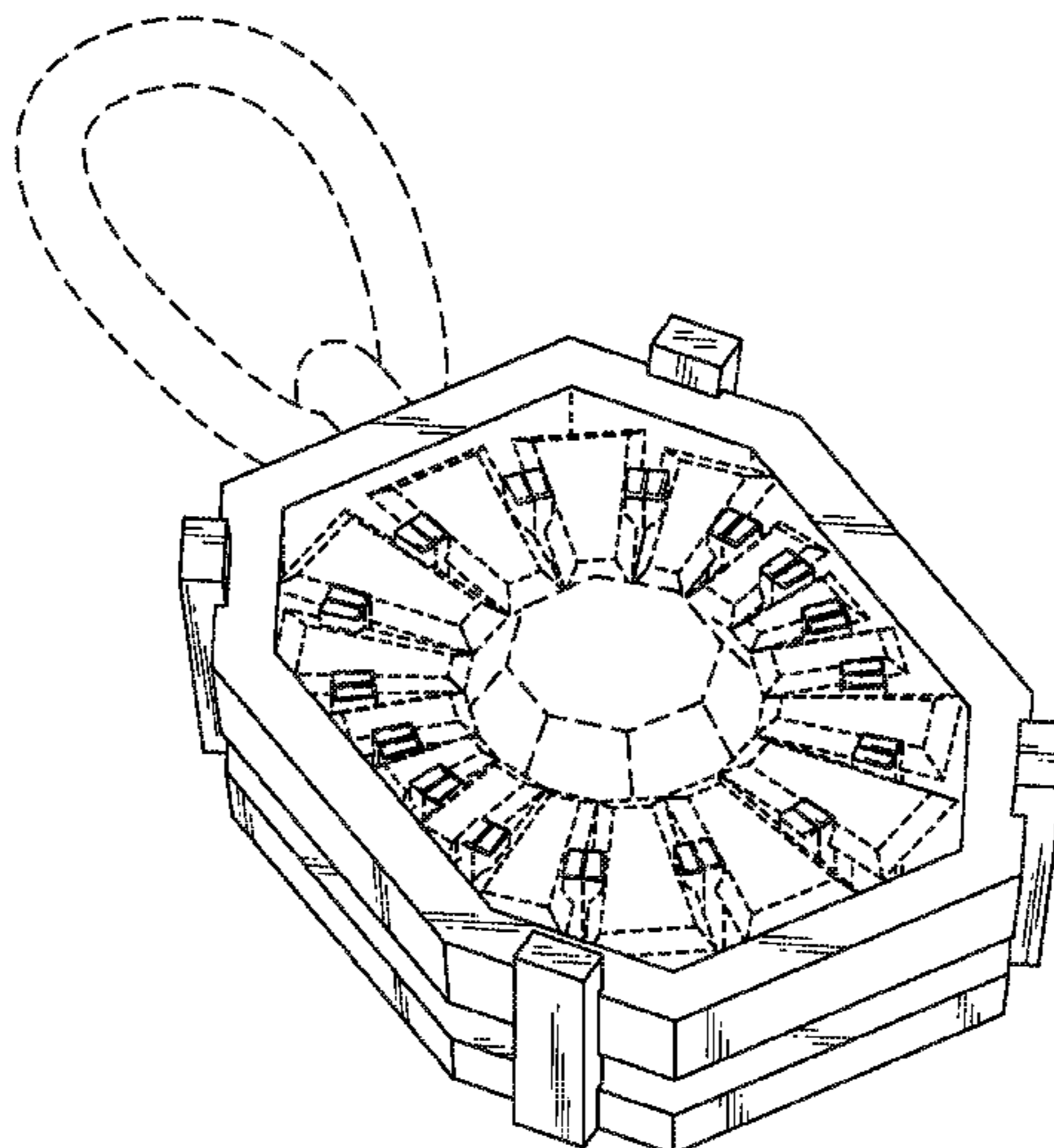
The ornamental design for an article of jewelry, as shown and described.

**DESCRIPTION**

FIG. 1 is a perspective view of an article of jewelry, showing my new design in a configuration of use;  
FIG. 2 is a front elevational view thereof;  
FIG. 3 is a side view thereof;  
FIG. 4 is a bottom elevational view thereof;  
FIG. 5 is another perspective view of the article of jewelry, shown in an alternate configuration of use;  
FIG. 6 is a front view there;  
FIG. 7 is a side elevational view thereof; and,  
FIG. 8 is a bottom view thereof.

The broken lines in the drawings showing a pendant and an earring represent environmental subject matter only and form no part of the claimed design. The other broken lines represent portions of the article of jewelry that form no part of the claimed design.

**1 Claim, 8 Drawing Sheets**



(56)

**References Cited**

U.S. PATENT DOCUMENTS

D751,945 S *	3/2016	Yep .....	D11/92
D754,024 S *	4/2016	Yep .....	D11/92
D761,151 S *	7/2016	Weems .....	D11/80
D808,851 S *	1/2018	Kwon .....	D11/40
D813,717 S *	3/2018	Shah .....	D11/91
D852,084 S *	6/2019	Ho .....	D11/92
2018/0325226 A1 *	11/2018	Shah .....	A44C 17/002

\* cited by examiner

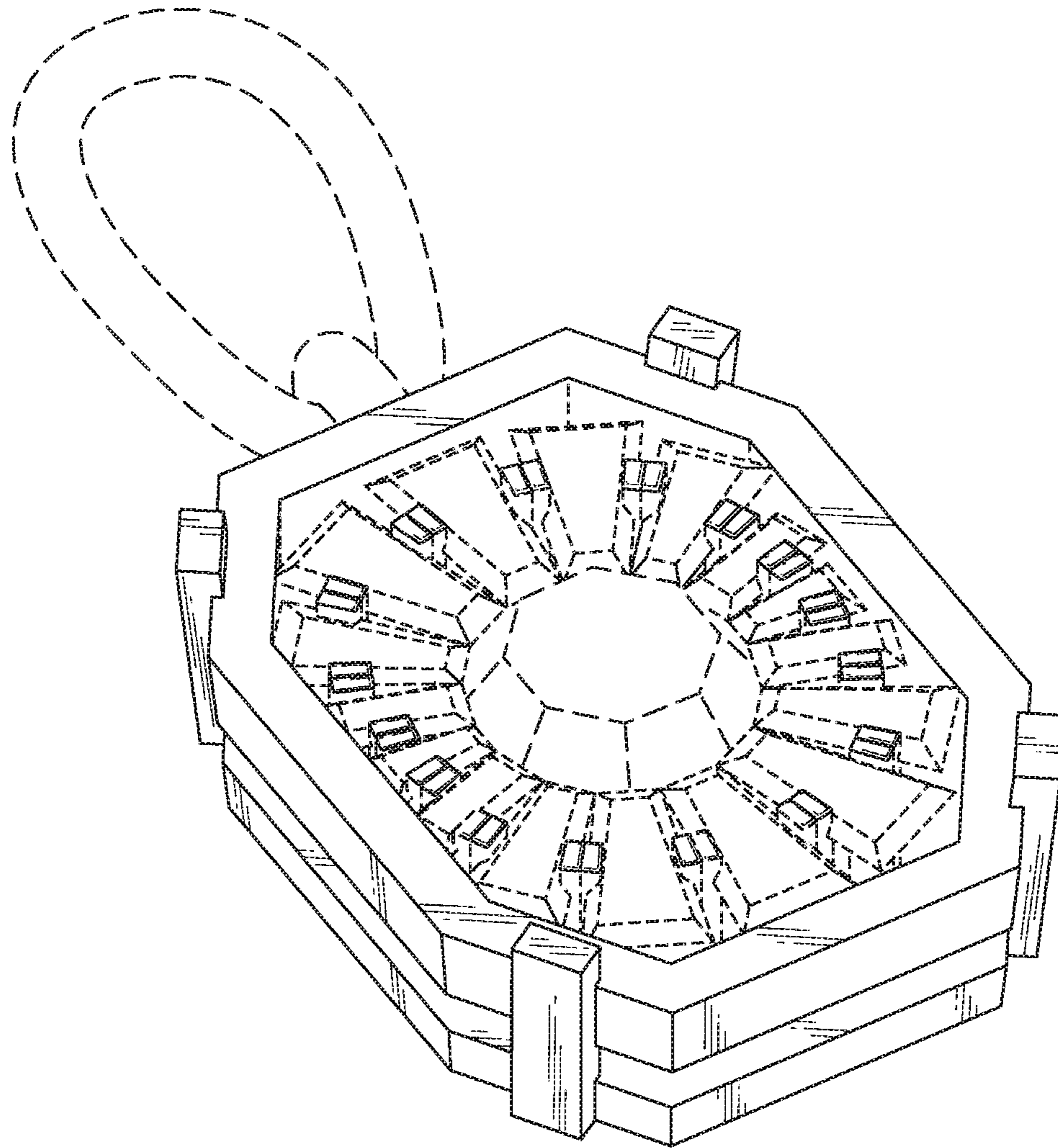


Fig. 1

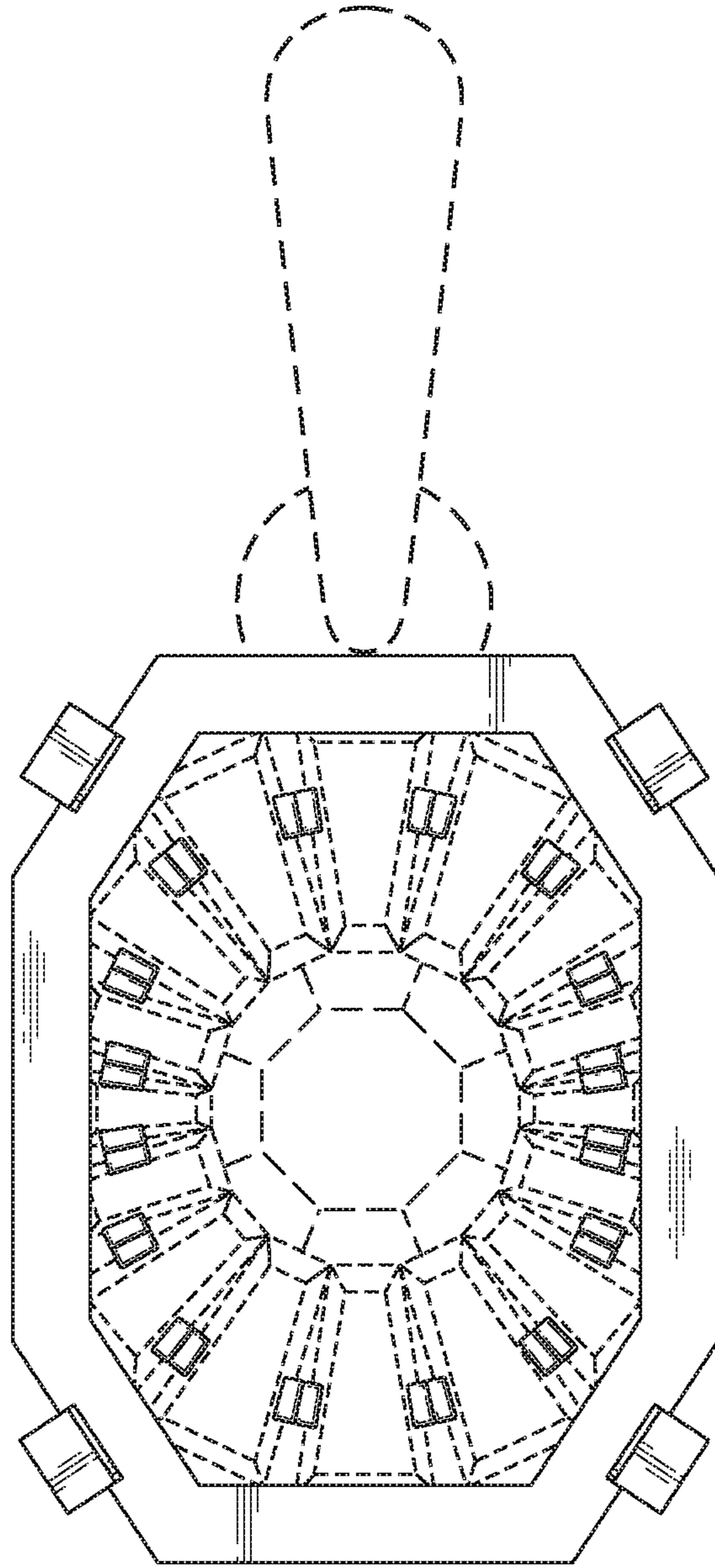


Fig. 2

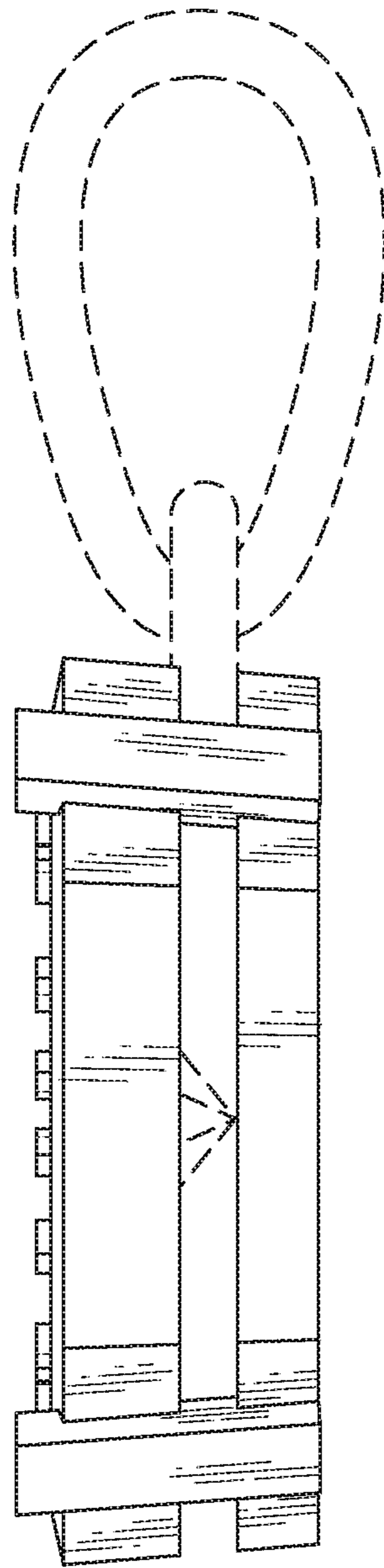


Fig. 3

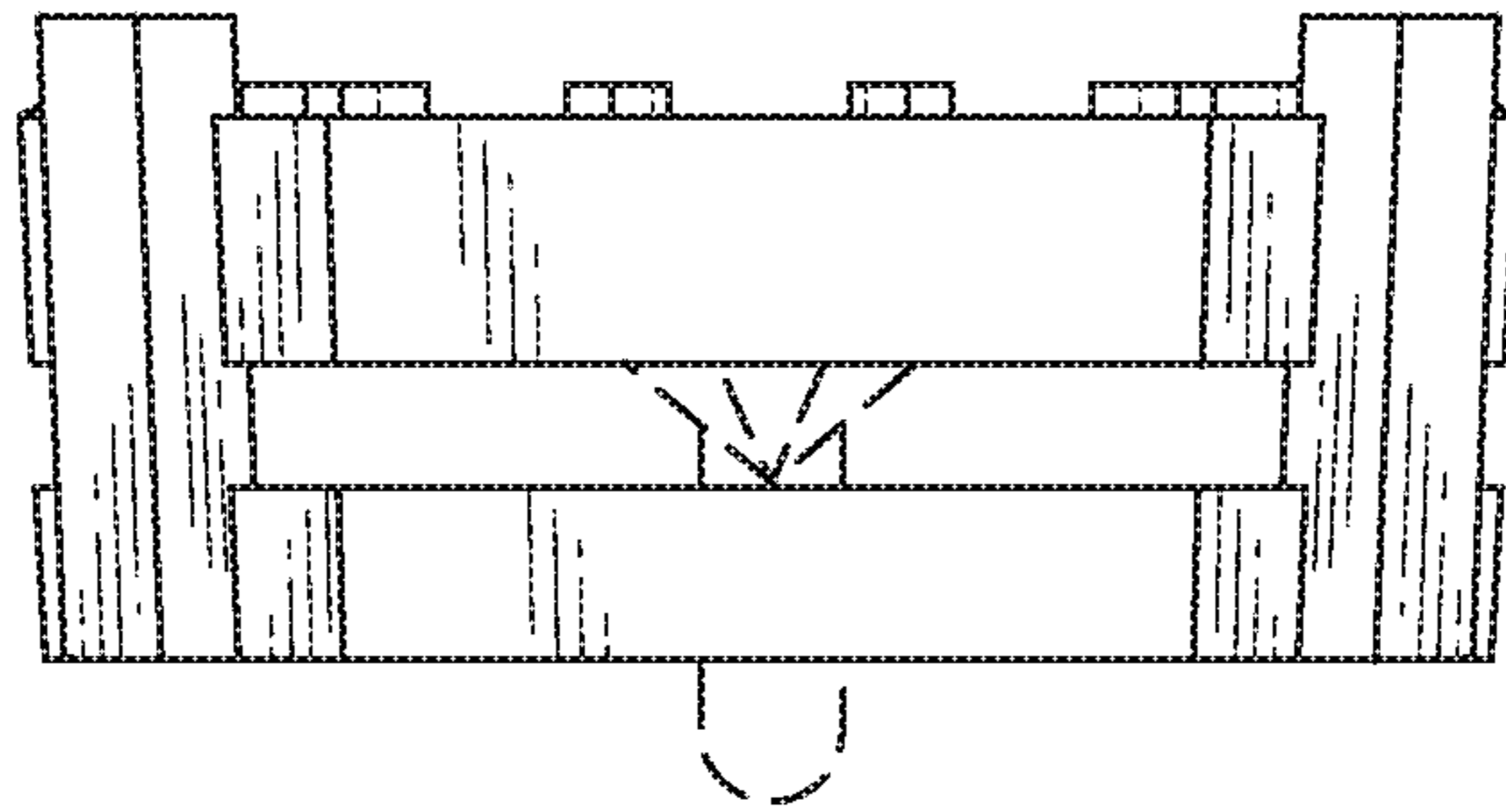


Fig. 4

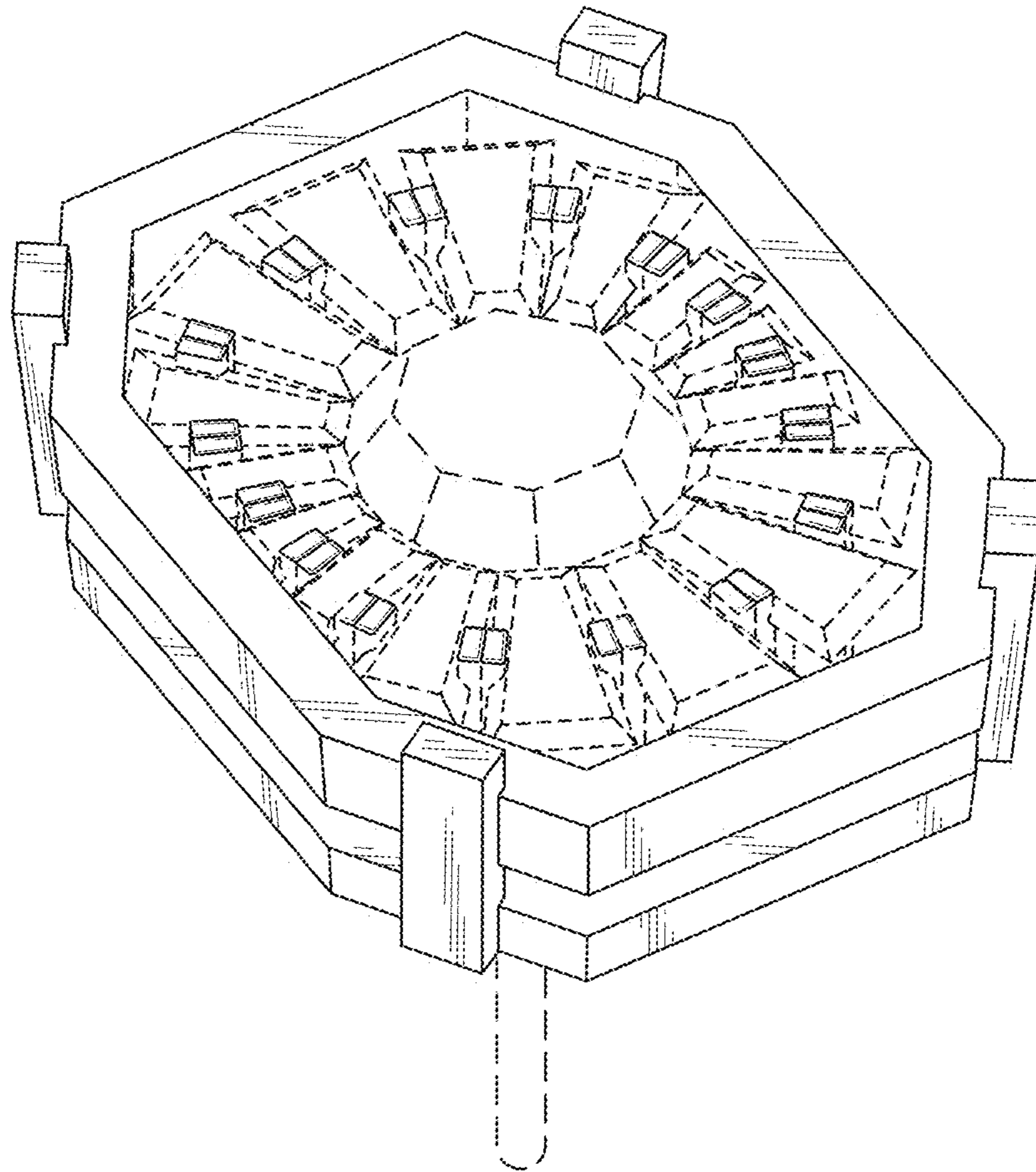


Fig. 5

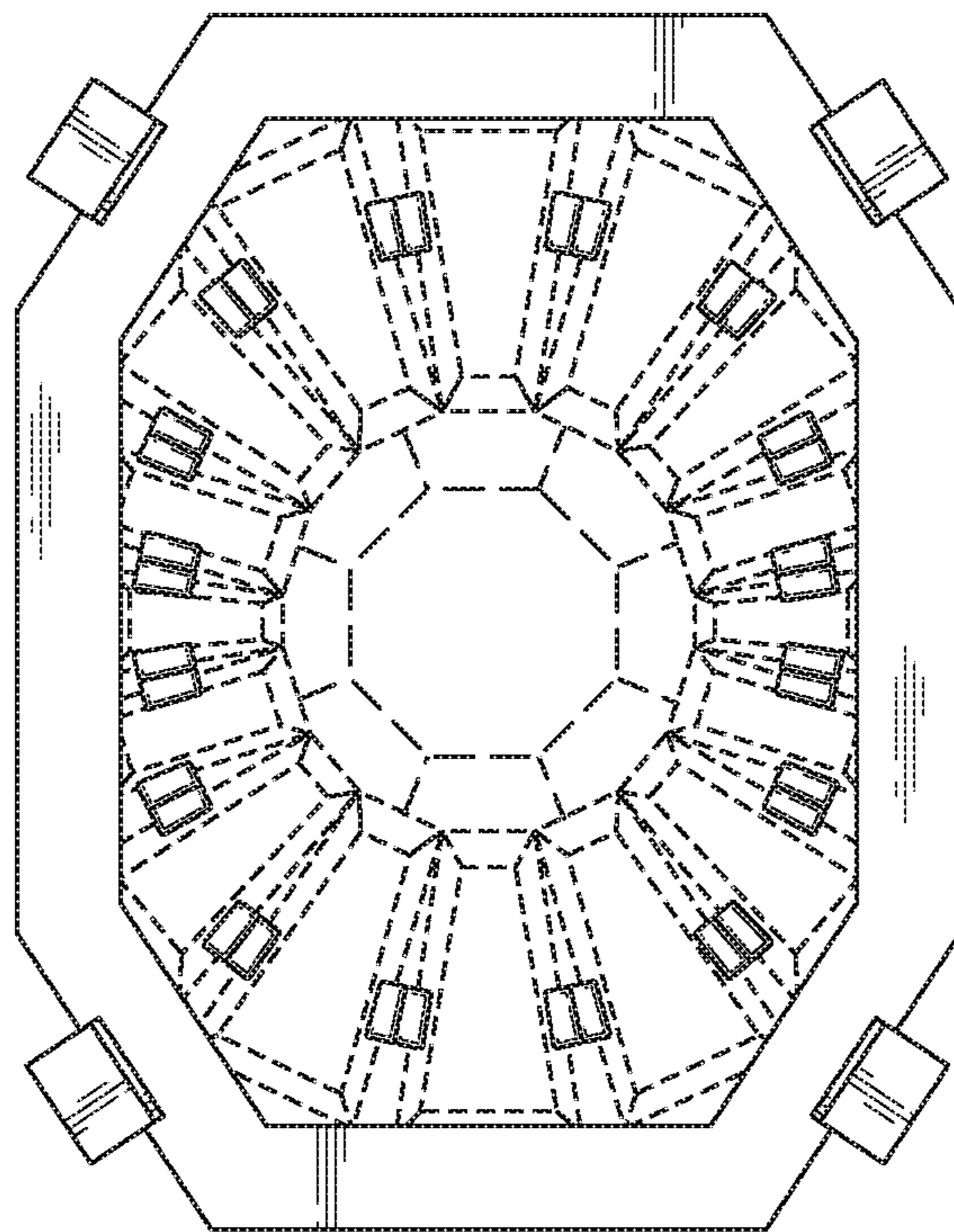


Fig. 6



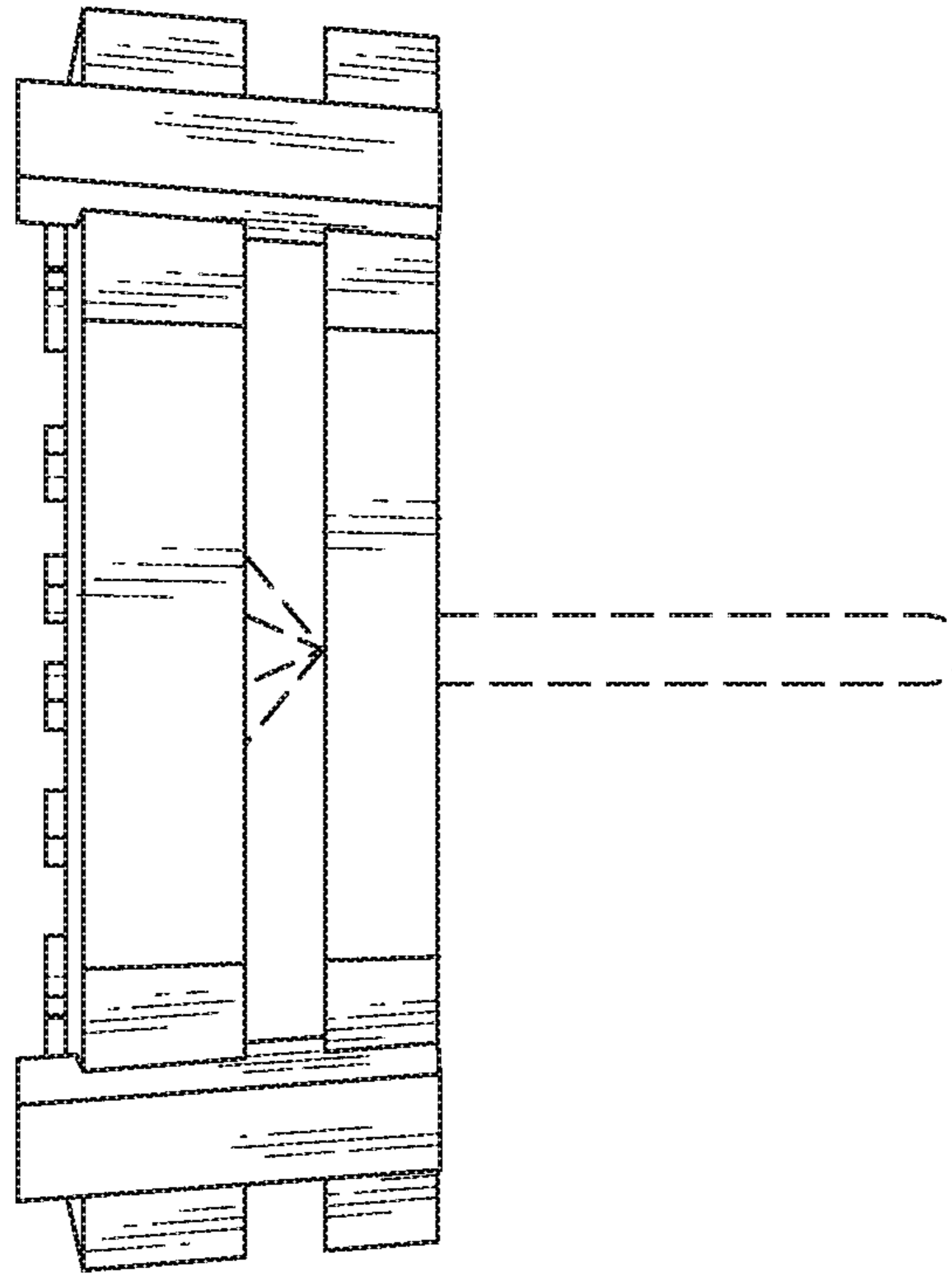


Fig. 7

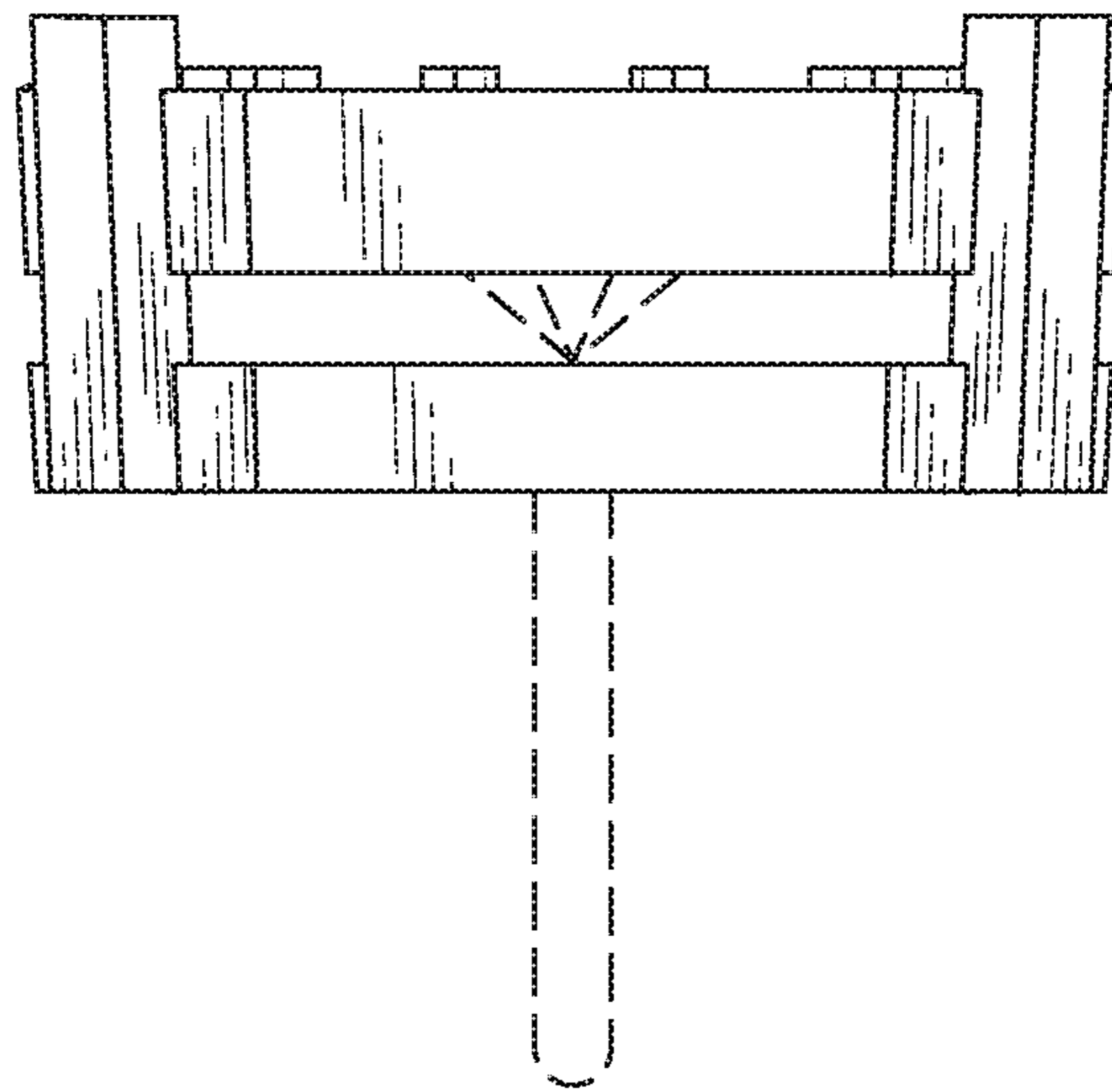


Fig. 8