



US00D908527S

(12) **United States Design Patent**
Pekarevskaya

(10) **Patent No.:** **US D908,527 S**

(45) **Date of Patent:** **** *Jan. 26, 2021**

(54) **PRECIOUS STONE**

(71) Applicant: **Olga Alexandrovna Pekarevskaya**, St. Petersburg (RU)

(72) Inventor: **Olga Alexandrovna Pekarevskaya**, St. Petersburg (RU)

(*) Notice: This patent is subject to a terminal disclaimer.

(**) Term: **15 Years**

(21) Appl. No.: **29/586,813**

(22) Filed: **Dec. 7, 2016**

(30) **Foreign Application Priority Data**

Sep. 16, 2016 (RU) 2016503592

(51) **LOC (13) Cl.** **11-01**

(52) **U.S. Cl.**
USPC **D11/90**

(58) **Field of Classification Search**
USPC D11/1-2, 26-29, 89-92; 63/26-28, 32
CPC A44C 17/00; A44C 17/01; A44C 17/005;
A44C 17/007; A44C 17/008
See application file for complete search history.

(56) **References Cited**

U.S. PATENT DOCUMENTS

| | | | | |
|--------------|---------|-----------|-------|---------|
| D20,043 S * | 7/1890 | Cottier | | D11/90 |
| D250,100 S * | 10/1978 | Finker | | 63/32 |
| D423,397 S * | 4/2000 | Raviv | | D11/91 |
| D431,011 S * | 9/2000 | Wolf | | D11/90 |
| D440,181 S * | 4/2001 | Wolf | | D11/90 |
| D458,868 S * | 6/2002 | Cheung | | D11/91 |
| D487,412 S * | 3/2004 | Virani | | D11/90 |
| D562,179 S * | 2/2008 | Tsrer | | D11/90 |
| D575,184 S * | 8/2008 | Bitetto | | D10/132 |
| D607,767 S * | 1/2010 | Schneider | | D11/89 |
| D610,936 S * | 3/2010 | Swarovski | | D11/89 |

| | | | | |
|----------------|---------|---------------|-------|----------------------|
| D625,644 S * | 10/2010 | Ehrenstrasser | | D11/89 |
| D640,159 S * | 6/2011 | Millar | | D11/89 |
| D656,862 S * | 4/2012 | Malli | | D11/89 |
| 8,381,545 B2 * | 2/2013 | Rydlewicz | | A44C 17/001 63/32 |
| D678,113 S * | 3/2013 | Jhaveri | | D11/90 |
| D735,070 S * | 7/2015 | Jayarathne | | D11/89 |
| D767,441 S * | 9/2016 | Schweiger | | D11/89 |
| D826,767 S * | 8/2018 | Shah | | D11/90 |

OTHER PUBLICATIONS

Baby Dyer Blue Australian Sapphire Radiant Style Cut (available online) Retrieved from the internet Jan. 30, 2020 from URL: https://www.johndyergems.com/catalog_pages/gemstone-Sapphire4999.html.*

Synthetic Chatham Created Loose Ruby Gemstone in Triangle Cut (available online) Retrieved from the internet Jan. 30, 2020 from URL: <https://www.africagems.com/chatham-ruby-triangle3mm.html>.*

Swarovski Zirconia Triangle Cut (available online) Retrieved from the internet Oct. 1, 2020 from URL: https://www.swarovskigemstones.com/products/Swarovski_Zirconia/en/triangle-cut-corner/white/3.00.*

(Continued)

Primary Examiner — Kevin K Rudzinski

Assistant Examiner — Richard Kearney

(74) *Attorney, Agent, or Firm* — Anna Vishev

(57) **CLAIM**

The ornamental design for a precious stone, as shown and described.

DESCRIPTION

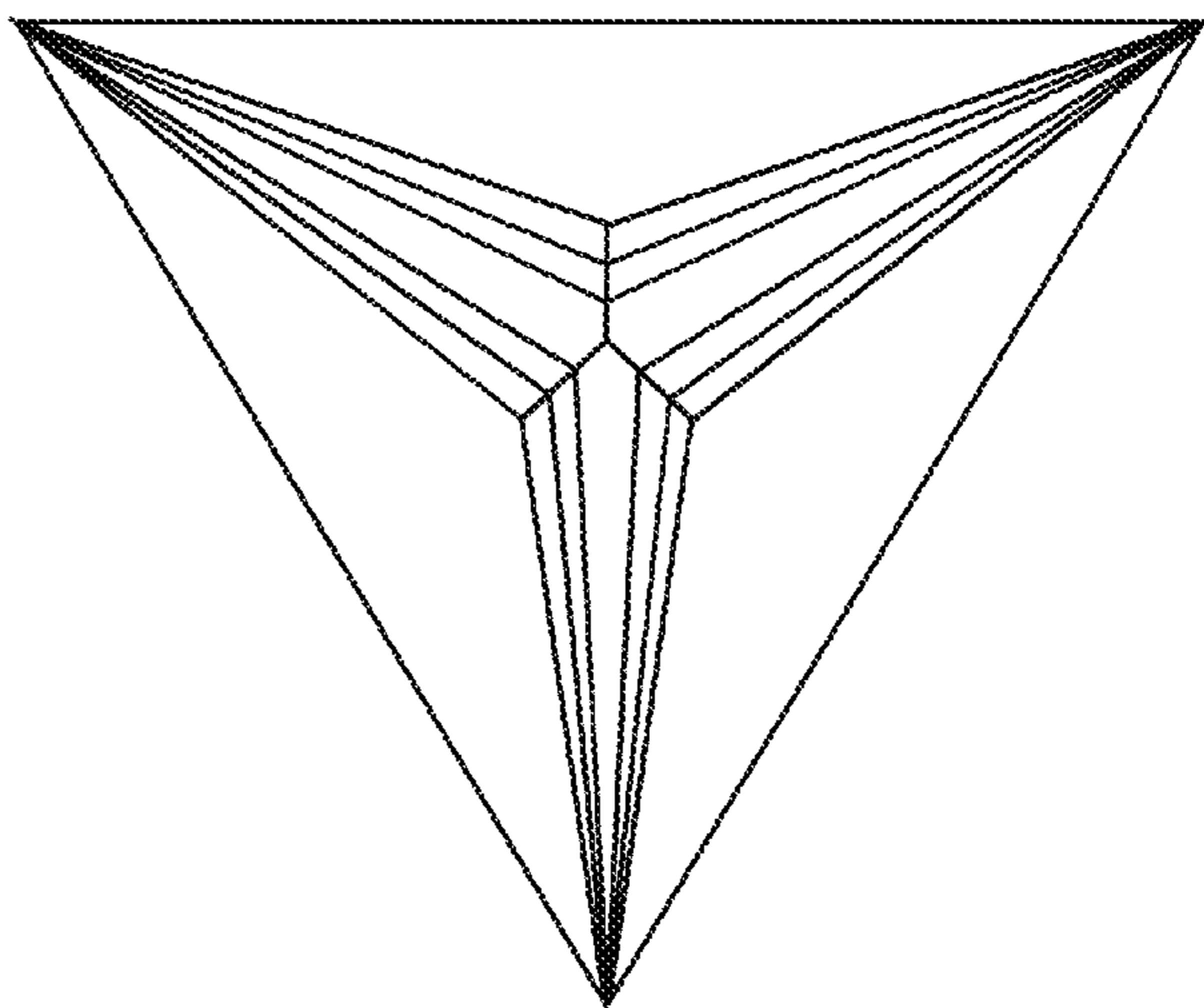
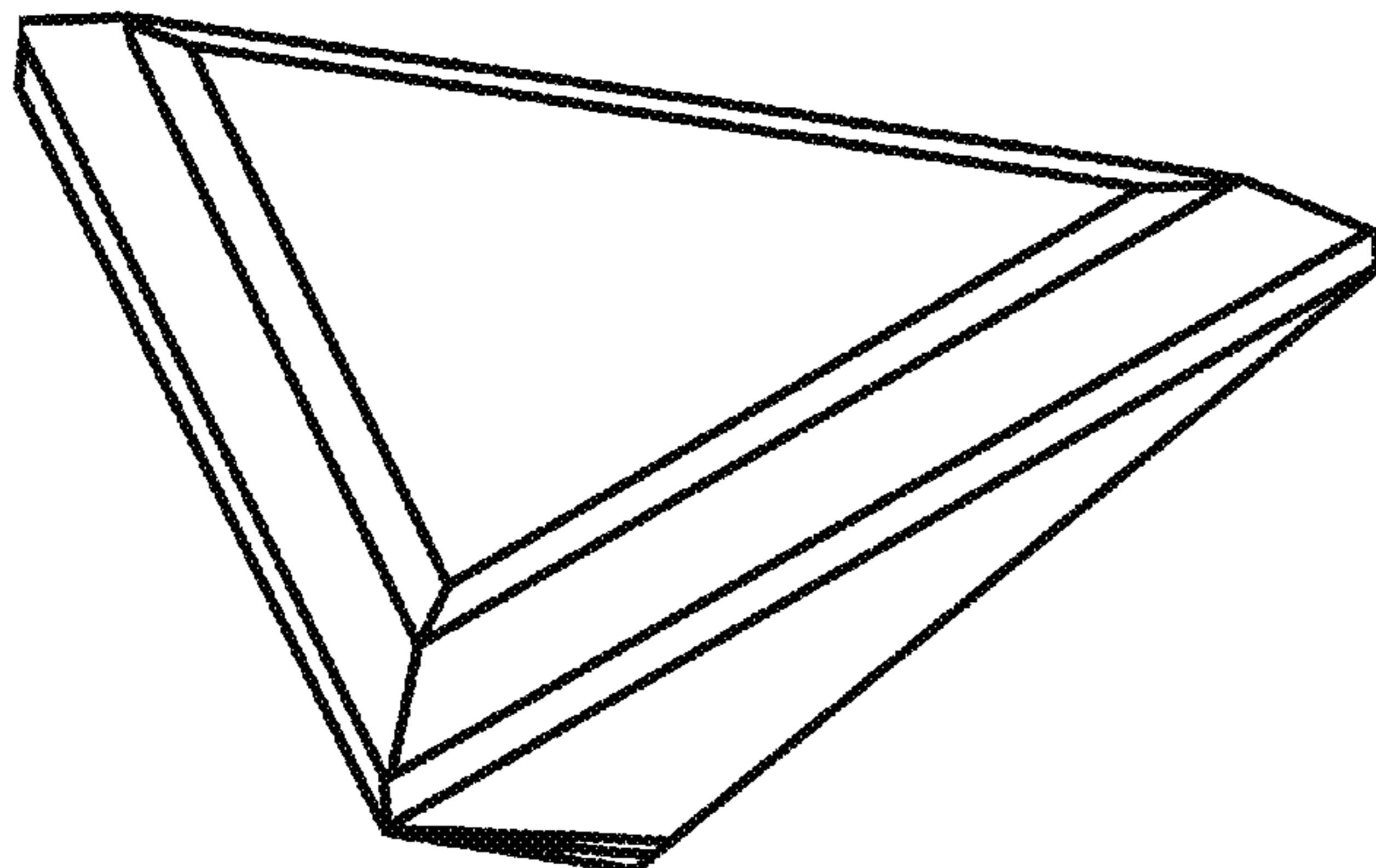
FIG. 1 is a perspective view of a precious stone according to my new design;

FIG. 2 is a top view thereof;

FIG. 3 is a bottom view thereof; and,

FIG. 4 is a side view thereof.

1 Claim, 4 Drawing Sheets



(56)

References Cited

OTHER PUBLICATIONS

Peter Suchy 2.12 Carat Diamond Rose Gold Modern Triangle Engagement Ring (available online) Retrieved from the internet Oct. 1, 2020 from URL: https://www.1stdibs.com/jewelry/rings/engagement-rings/peter-suchy-212-carat-diamond-rose-gold-modern-triangle-engagement-ring/id-j_5342311/.*

(2pcs) One pair of EF white color 5mm straight Triangle cut moissanites gem stones (available online) Retrieved from the internet Oct. 1, 2020 from URL: <https://www.aliexpress.com/item/32850039762.html>.*

* cited by examiner

FIG. 1

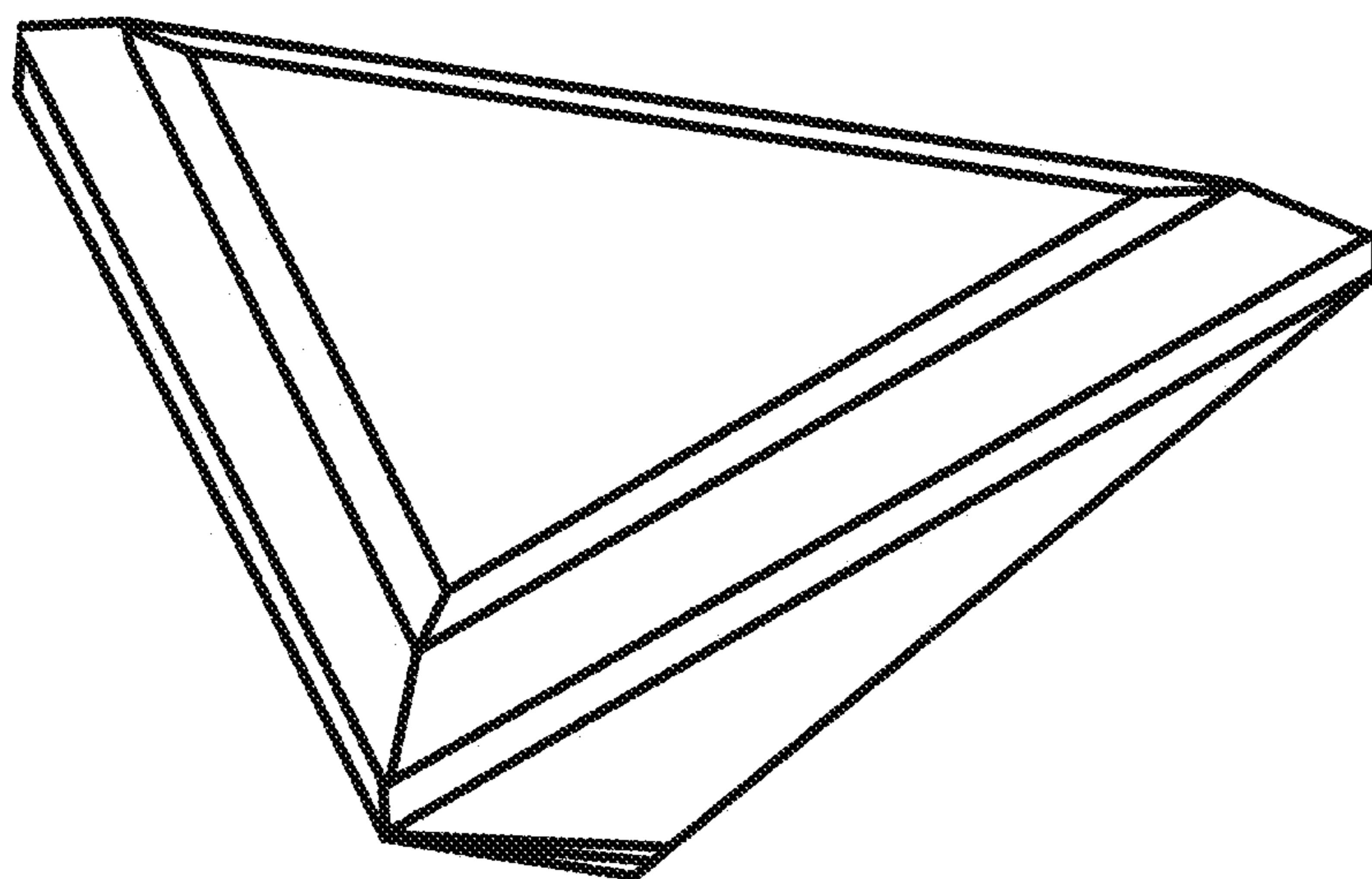


FIG. 2

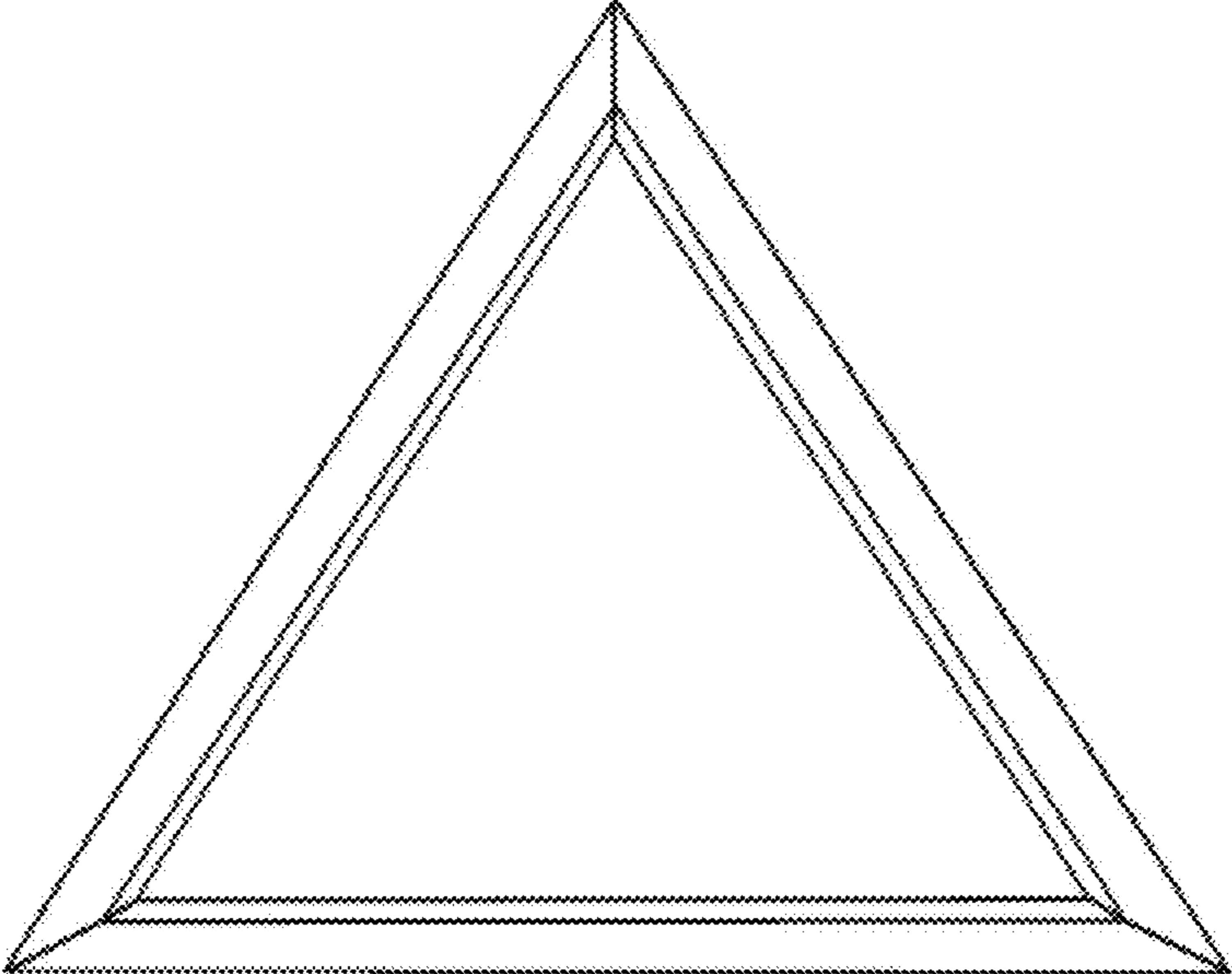


FIG. 3

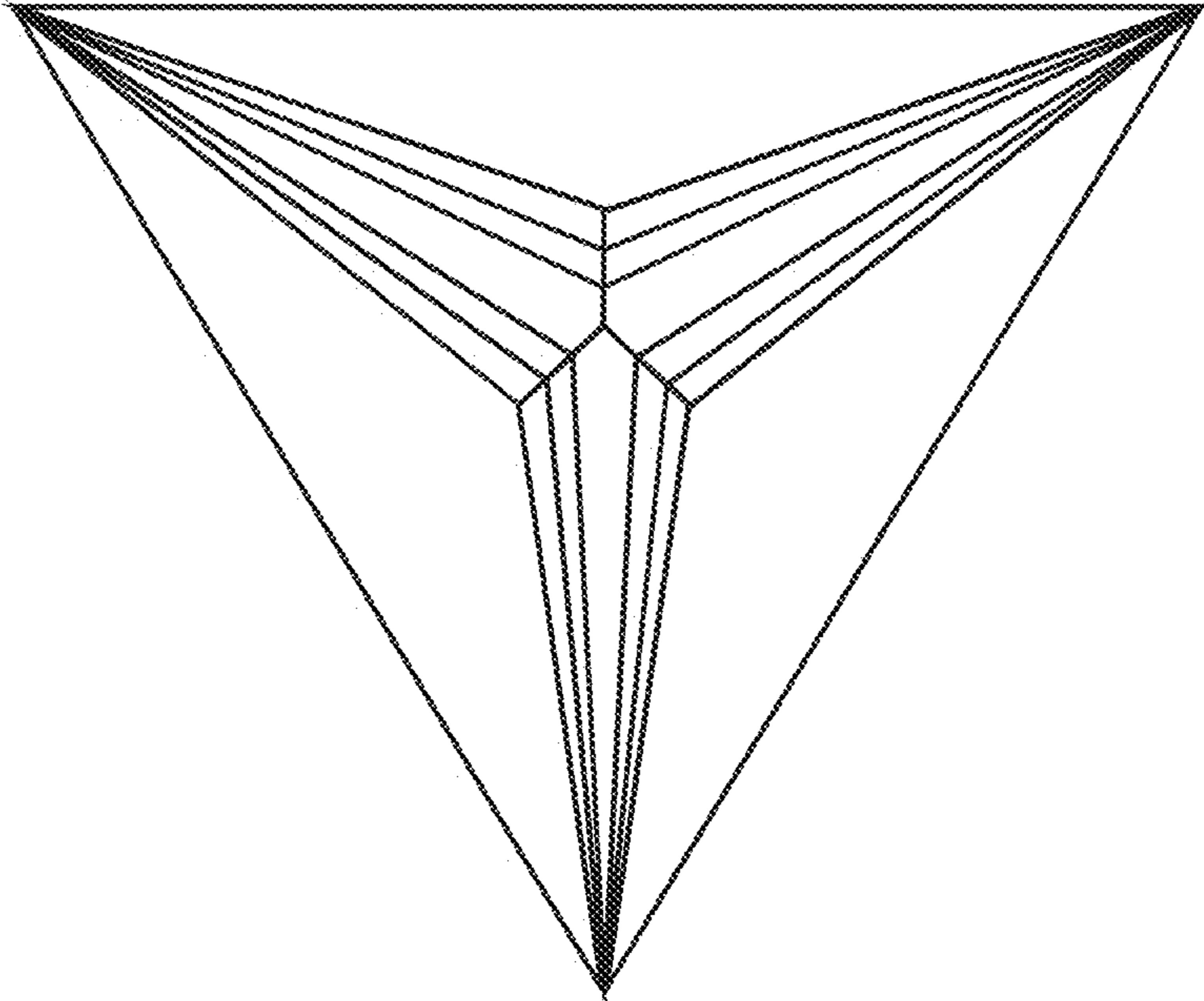


FIG. 4

